



US00D838569S

(12) **United States Design Patent**  
**Halstead**

(10) **Patent No.:** **US D838,569 S**

(45) **Date of Patent:** **\*\* Jan. 22, 2019**

- (54) **STAKE DRIVER TOOL**
- (71) Applicant: **David Halstead**, Alta Loma, CA (US)
- (72) Inventor: **David Halstead**, Alta Loma, CA (US)
- (\*\*) Term: **15 Years**
- (21) Appl. No.: **29/605,907**
- (22) Filed: **May 31, 2017**
- (51) **LOC (11) Cl.** ..... **08-04**
- (52) **U.S. Cl.**  
USPC ..... **D8/82**
- (58) **Field of Classification Search**  
USPC ..... D8/60, 61, 77, 82, 342, 349, 354, 355,  
D8/356, 367, 382, 396, 499, 47, 63,  
D8/83-87, 107; D21/840  
CPC .... E02D 7/06; B25D 17/02; B25D 2250/055;  
B25D 2250/371; B25C 3/00; B25B  
13/06; B25B 13/065  
See application file for complete search history.

- D755,600 S \* 5/2016 Elofsson ..... D8/61
- D756,188 S \* 5/2016 Elofsson ..... D8/61
- 9,416,512 B2 \* 8/2016 Suver ..... E02D 11/00
- D772,030 S \* 11/2016 Andersen ..... D8/29
- 2009/0044664 A1 \* 2/2009 Geisler ..... A01G 17/16  
81/44
- 2011/0198104 A1 \* 8/2011 Stockstill ..... B25D 17/02  
173/128
- 2012/0193111 A1 \* 8/2012 Lechtenberg ..... B25D 17/02  
173/1

\* cited by examiner

*Primary Examiner* — Jennifer Rivard  
*Assistant Examiner* — Alison M Ofstun  
 (74) *Attorney, Agent, or Firm* — Eric Karich; Karich & Associates

(57) **CLAIM**

The ornamental design for a stake driver tool, as shown and described.

(56) **References Cited**

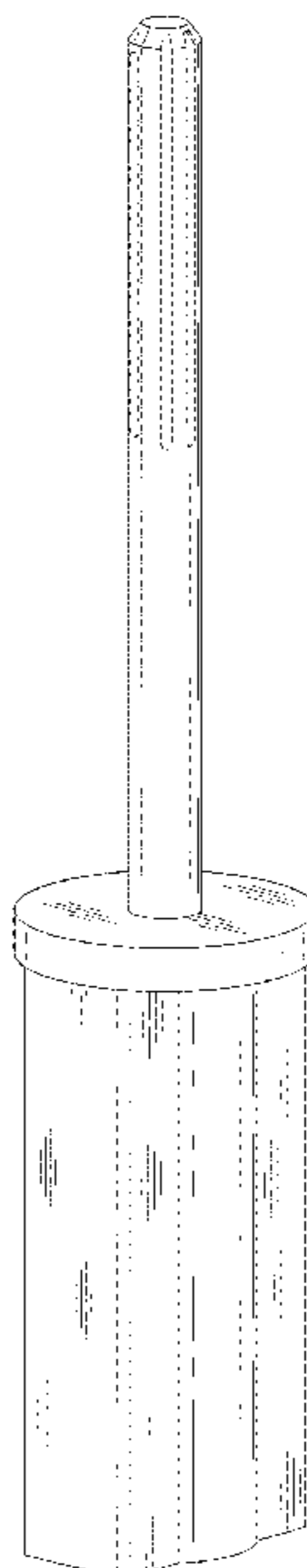
U.S. PATENT DOCUMENTS

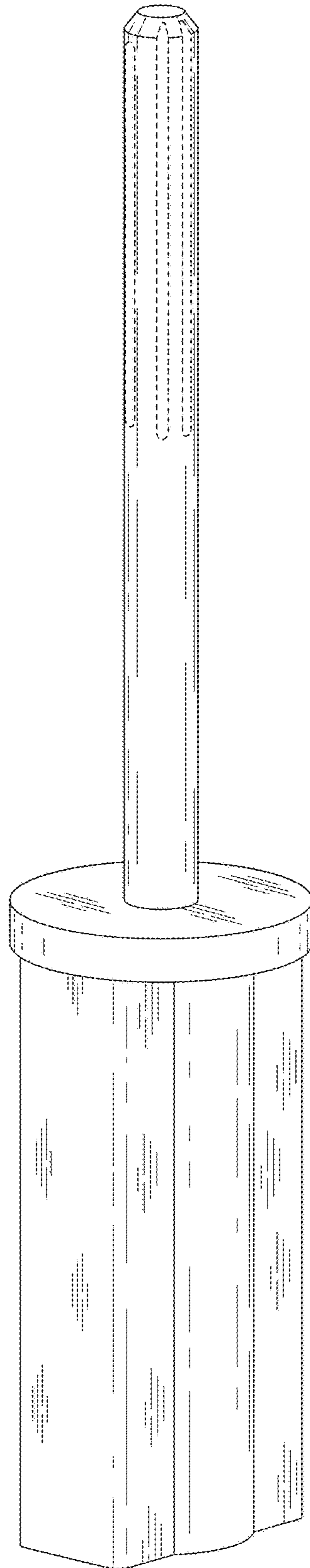
- 2,629,985 A \* 3/1953 McDowell ..... B25D 1/16  
144/195.5
- D248,615 S \* 7/1978 Grabovac ..... D8/14
- 4,261,424 A \* 4/1981 Gonterman ..... B25D 1/04  
173/91
- D421,887 S \* 3/2000 Hung ..... D8/82
- D428,389 S \* 7/2000 Love ..... D13/133
- D429,627 S \* 8/2000 Gradwell ..... D23/262
- D440,140 S \* 4/2001 Shiao ..... D8/82
- D472,778 S \* 4/2003 Halstead ..... D8/29
- D577,554 S \* 9/2008 Geisler ..... D8/14
- D624,150 S \* 9/2010 Trybulski ..... D22/199
- D642,882 S \* 8/2011 Lane ..... D8/29

**DESCRIPTION**

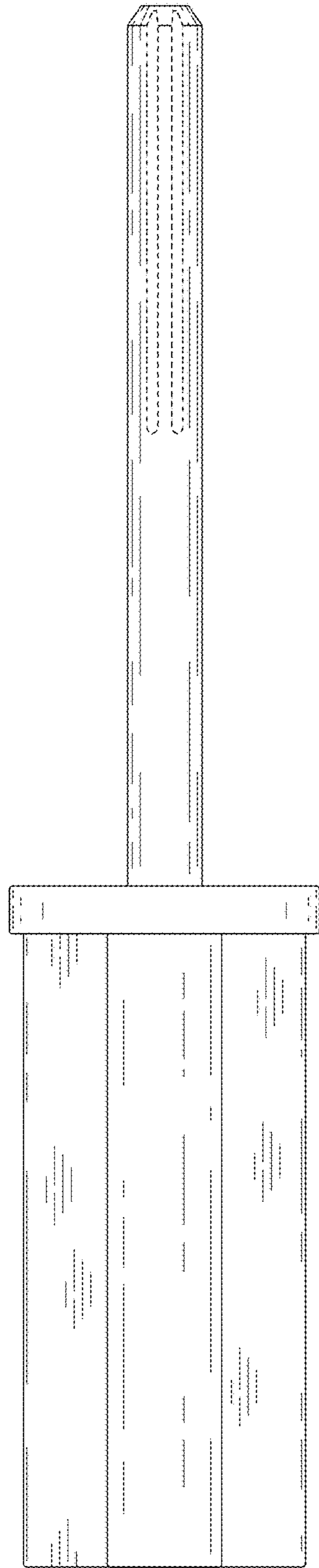
FIG. 1 is a perspective view of a stake driver tool, showing my new design;  
 FIG. 2 is a front elevational view thereof;  
 FIG. 3 is a rear elevational view thereof;  
 FIG. 4 is a left side elevational view thereof  
 FIG. 5 is a right side elevational view thereof;  
 FIG. 6 is a top plan view thereof; and,  
 FIG. 7 is a bottom plan view thereof.  
 The broken lines depict portions of the article that form no part of the claimed design.

**1 Claim, 4 Drawing Sheets**

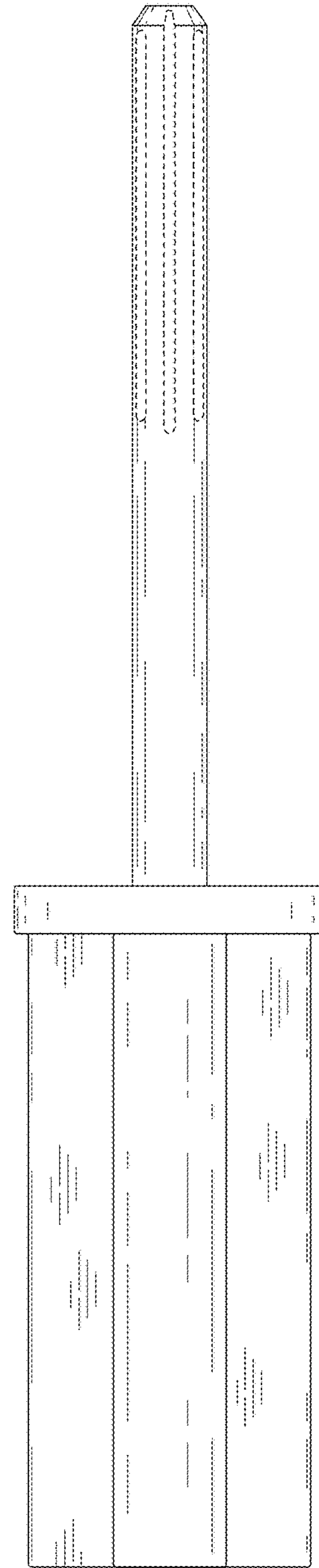




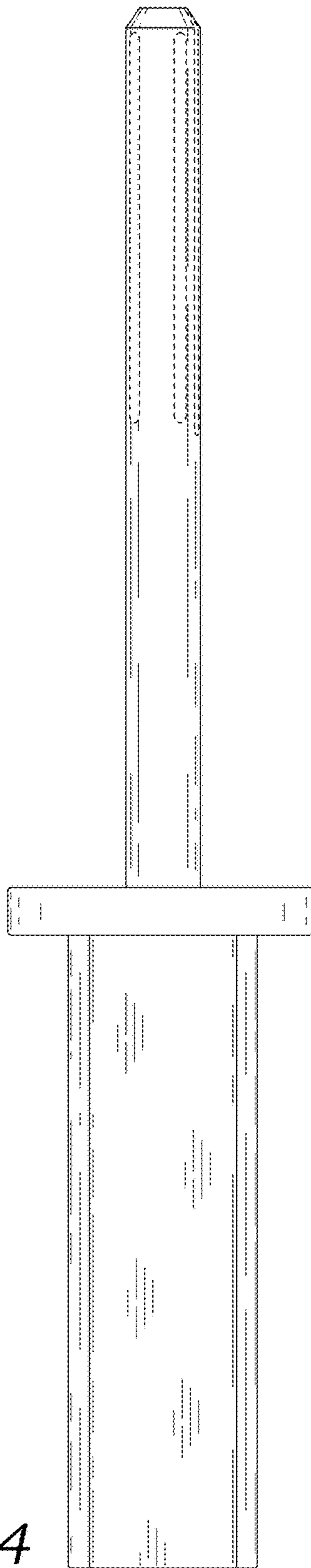
*Fig. 1*



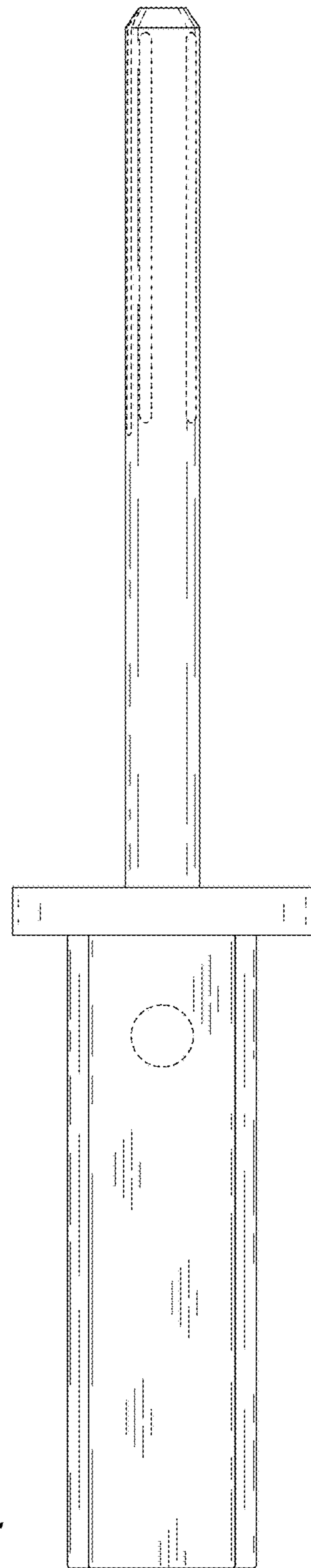
*Fig. 2*



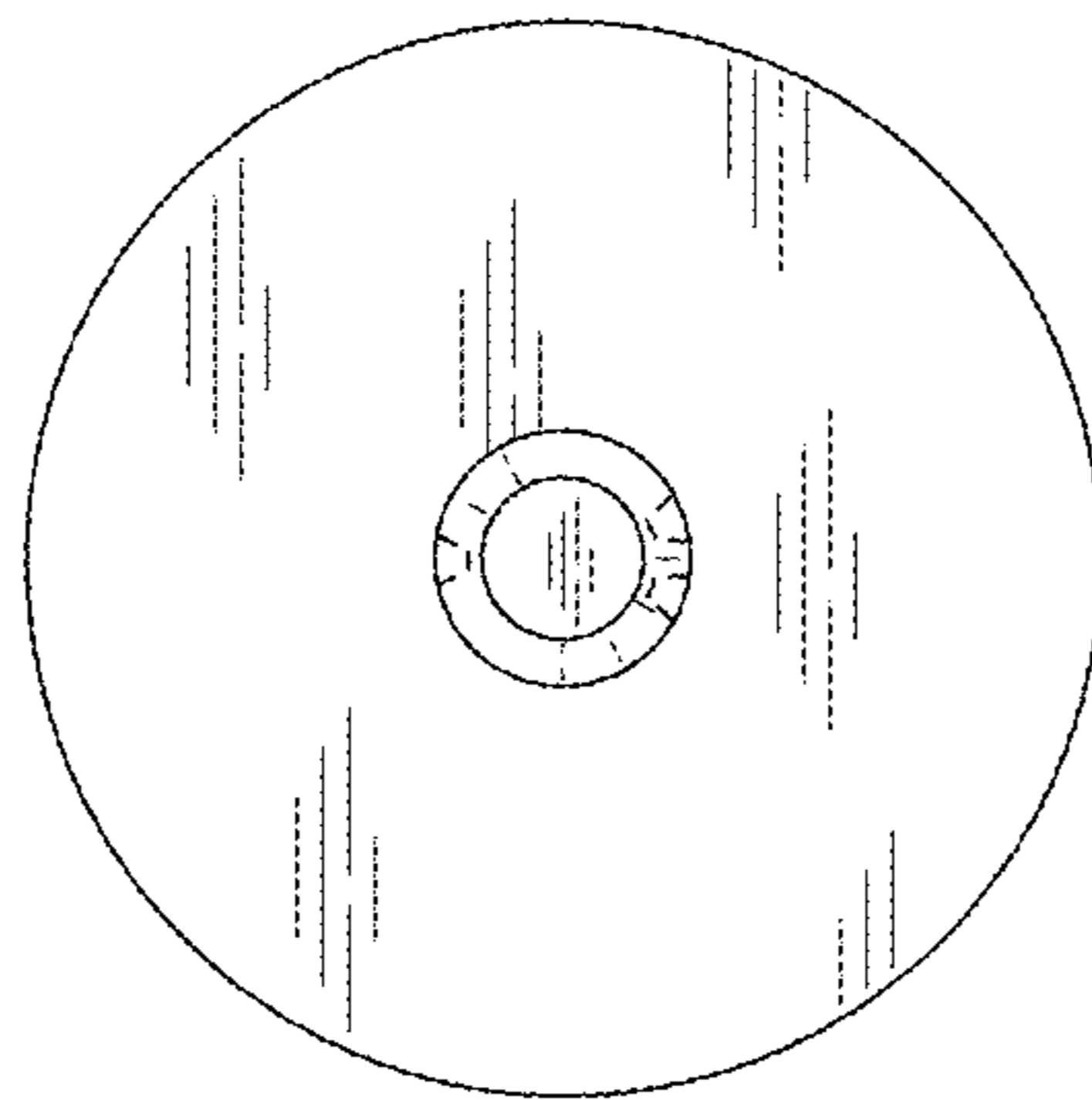
*Fig. 3*



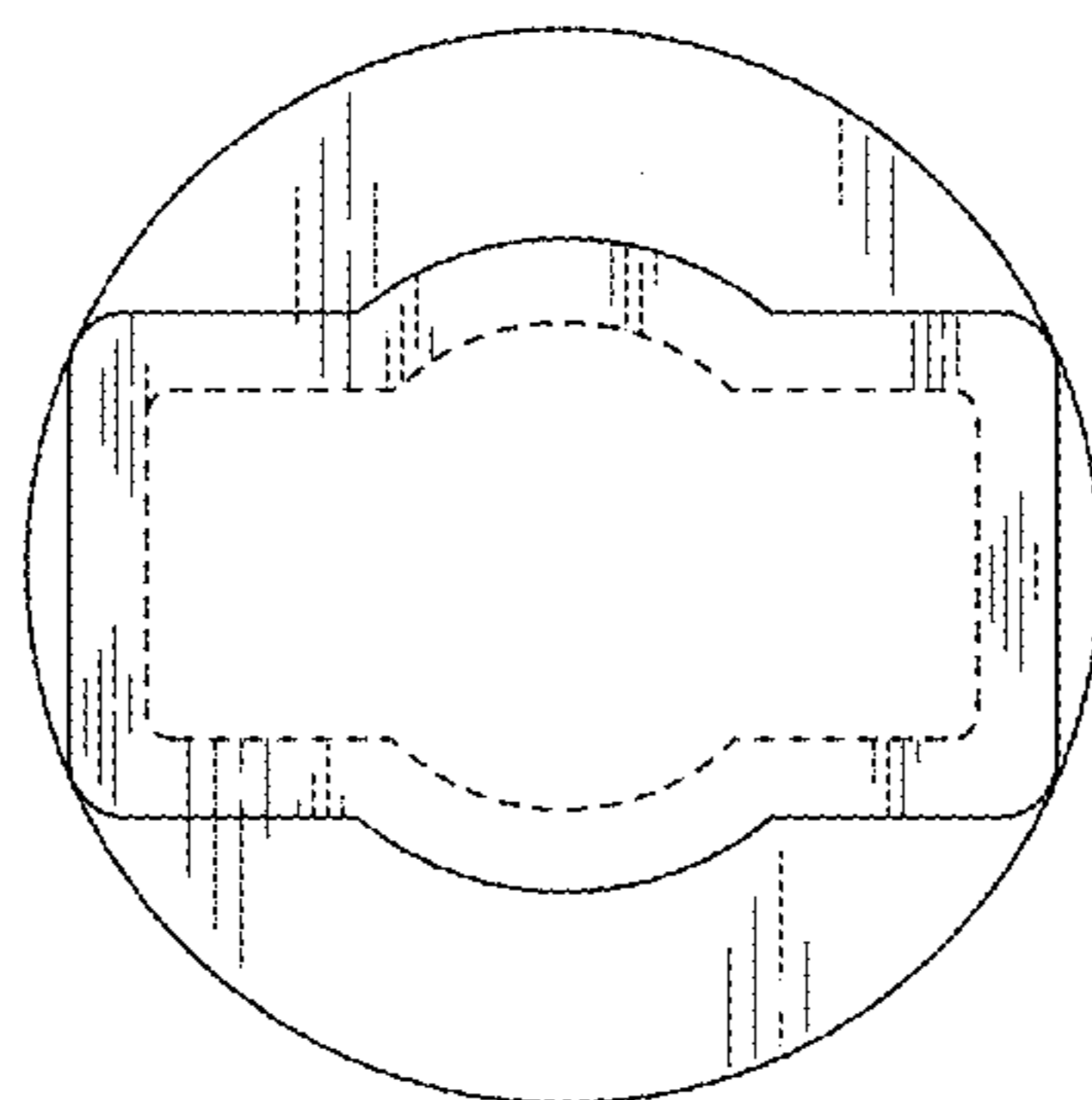
*Fig. 4*



*Fig. 5*



*Fig. 6*



*Fig. 7*