



US00D838568S

(12) **United States Design Patent**  
**Lin et al.**

(10) **Patent No.:** **US D838,568 S**

(45) **Date of Patent:** **\*\* Jan. 22, 2019**

- (54) **WISE**
- (71) Applicants: **Chang-Yi Lin**, Taichung (TW);  
**Chang-Chih Lin**, Taichung (TW)
- (72) Inventors: **Chang-Yi Lin**, Taichung (TW);  
**Chang-Chih Lin**, Taichung (TW)
- (\*\*) Term: **15 Years**
- (21) Appl. No.: **29/622,749**
- (22) Filed: **Oct. 19, 2017**
- (51) **LOC (11) Cl.** ..... **08-05**
- (52) **U.S. Cl.**  
USPC ..... **D8/74**
- (58) **Field of Classification Search**  
USPC ..... D8/71-74, 394-399, 59; 81/487, 385,  
81/386, 388-390; 248/63, 72, 74.1, 689,  
248/124.2; 269/3, 4, 6, 143, 165, 240,  
269/243, 246-259, 254 R, 147-149;  
29/256, 257, 276; 408/103, 104-109  
CPC ..... B25B 1/00; B25B 5/00  
See application file for complete search history.

- 5,163,664 A \* 11/1992 Calaiso ..... B25B 1/2452  
269/259
- 5,302,058 A \* 4/1994 Bishop ..... B23B 47/28  
408/104
- D417,599 S \* 12/1999 Wolfe ..... D8/74
- D420,880 S \* 2/2000 Lavigne ..... D8/74
- D421,208 S \* 2/2000 Lavigne ..... D8/74
- D422,868 S \* 4/2000 Lavigne ..... D8/74
- 6,045,126 A \* 4/2000 Brzezinski ..... B25B 1/2405  
269/240
- 6,361,034 B1 \* 3/2002 Wolfe ..... B25B 1/2463  
269/247
- D640,521 S \* 6/2011 Tschida ..... D8/74
- D647,381 S \* 10/2011 Lin ..... D8/74
- D666,072 S \* 8/2012 Tschida ..... D8/74

(Continued)

*Primary Examiner* — David G Muller  
*Assistant Examiner* — Nathan M Johnston  
 (74) *Attorney, Agent, or Firm* — Muncy, Geissler, Olds & Lowe, P.C.

(57) **CLAIM**

We claim the ornamental design for a vise, as shown and described.

**DESCRIPTION**

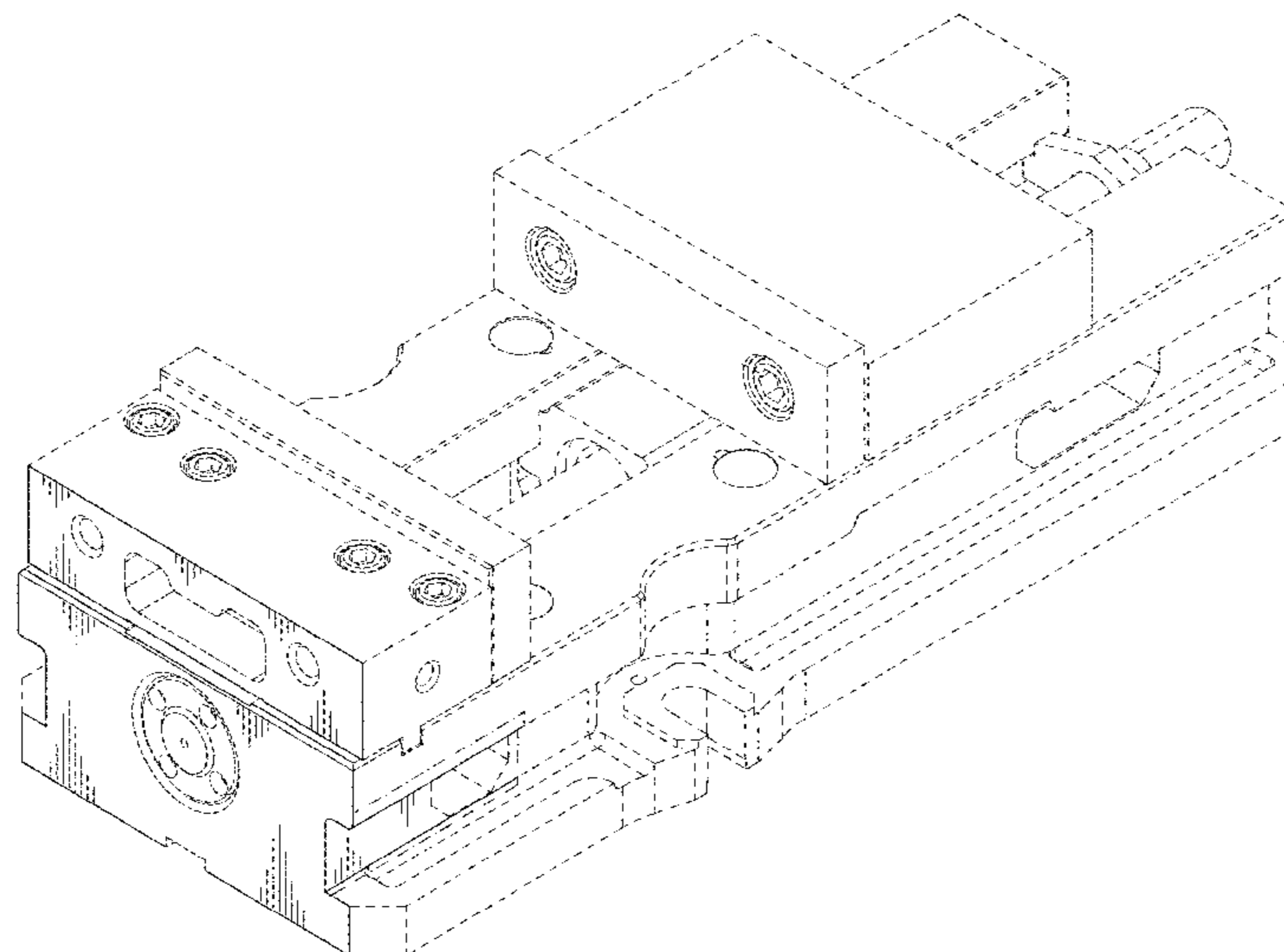
FIG. 1 is a perspective view of a vise showing our new design;  
 FIG. 2 is a front view thereof;  
 FIG. 3 is a rear view thereof;  
 FIG. 4 is a left view thereof;  
 FIG. 5 is a right view thereof;  
 FIG. 6 is a top plan view thereof; and,  
 FIG. 7 is a bottom plan view.  
 The broken lines in the drawings illustrate portions of the vise which form no part of the claimed design.  
 The dot-dashed line in the figures defines the boundary of claimed and unclaimed objects, and the dot-dashed line forms no part of the claimed design.

**1 Claim, 6 Drawing Sheets**

(56) **References Cited**

U.S. PATENT DOCUMENTS

- 2,889,757 A \* 6/1959 Cole ..... B25B 1/22  
269/165
- 3,051,473 A \* 8/1962 Juhase ..... B25B 1/10  
269/95
- 3,312,461 A \* 4/1967 Copron ..... B25B 1/10  
269/101
- 3,397,880 A \* 8/1968 Kuban ..... B25B 1/10  
269/134
- D254,376 S \* 3/1980 Glomb ..... D15/140
- 4,383,682 A \* 5/1983 Feinberg ..... B25B 1/2463  
269/258
- 4,413,818 A \* 11/1983 Lenz ..... B25B 1/2484  
269/244
- 5,141,213 A \* 8/1992 Chern ..... B25B 1/2436  
269/134



(56)

**References Cited**

U.S. PATENT DOCUMENTS

D685,827	S *	7/2013	Sun	.....	D15/140
D716,627	S *	11/2014	Lin	.....	D8/74
D726,519	S *	4/2015	Huang	.....	D8/74
D785,431	S *	5/2017	Lee	.....	D8/74
2002/0109282	A1 *	8/2002	Peck	.....	B25B 1/2442
					269/258
2010/0230884	A1 *	9/2010	Nelson	.....	B25B 1/2405
					269/265
2014/0131933	A1 *	5/2014	Taylor	.....	B25B 1/24
					269/165

\* cited by examiner

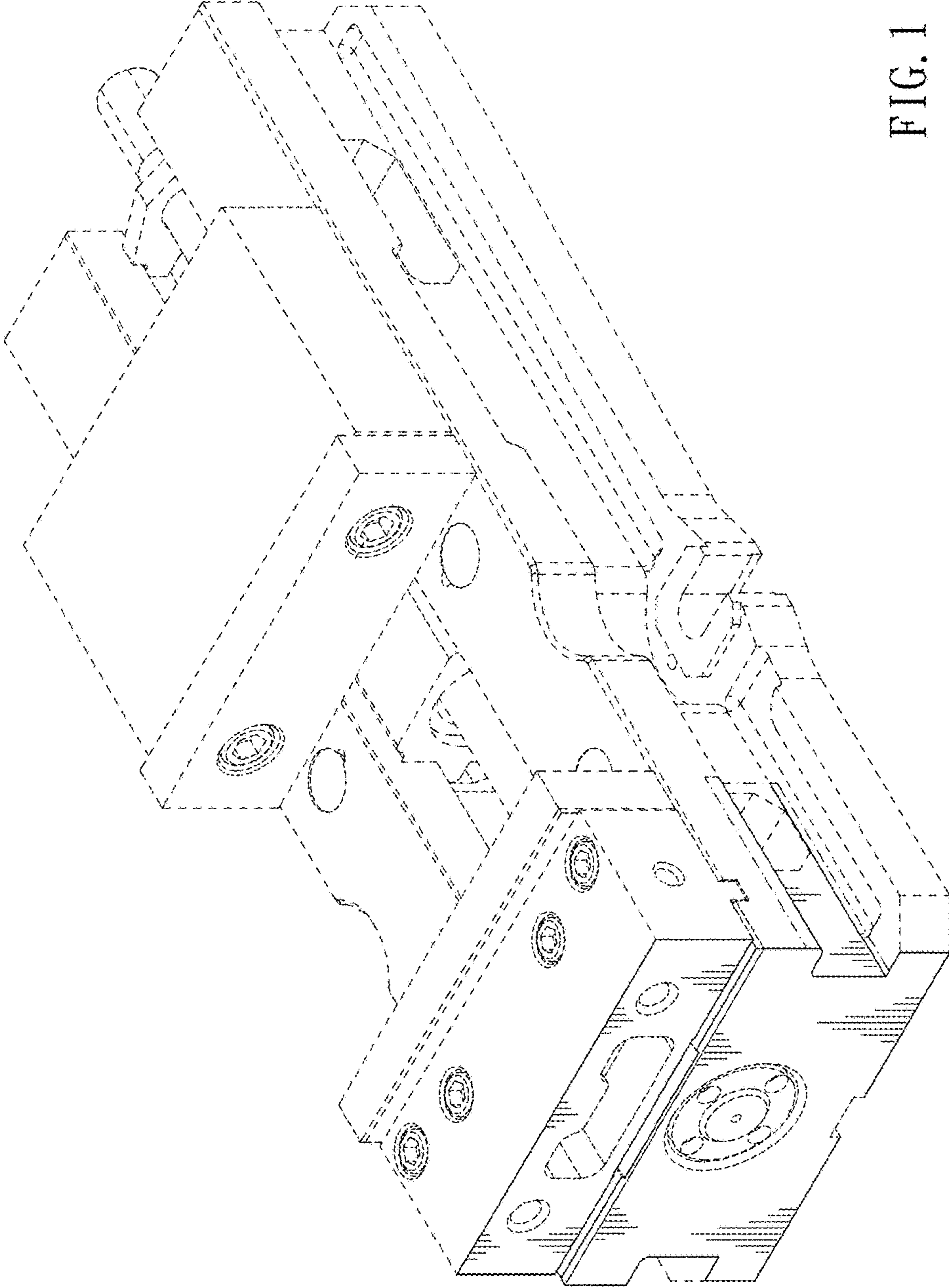


FIG. 1

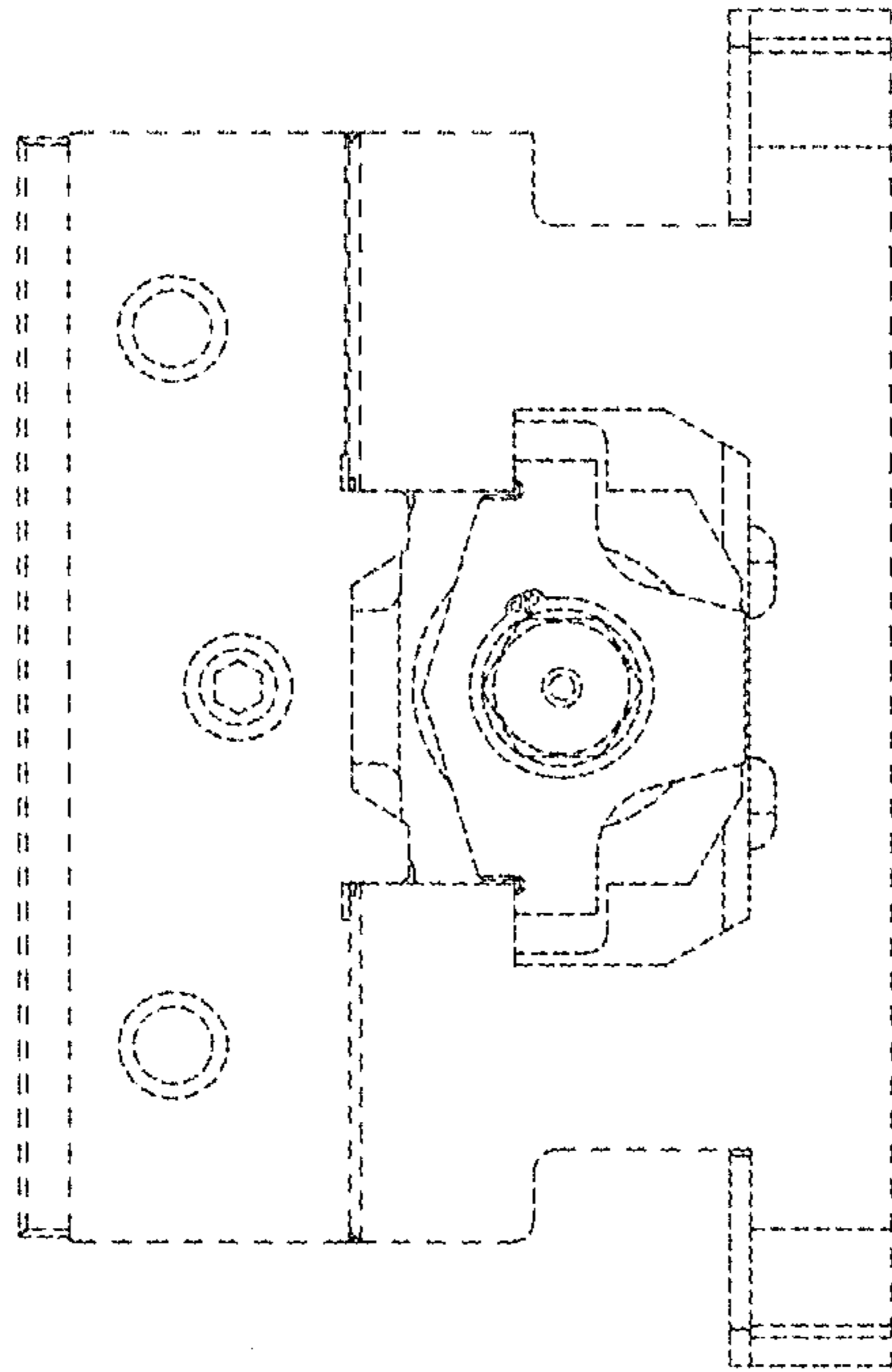


FIG. 3

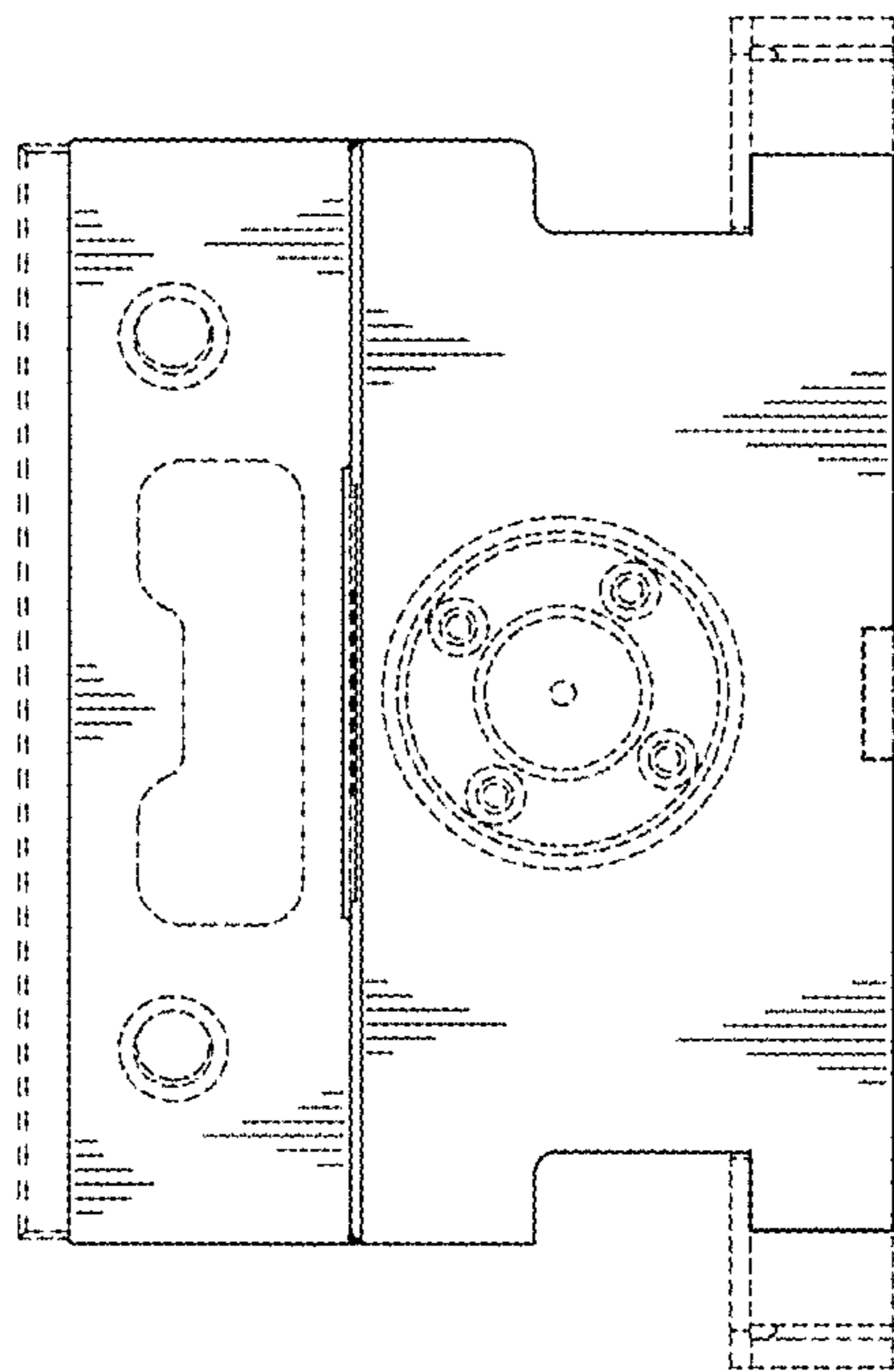


FIG. 2

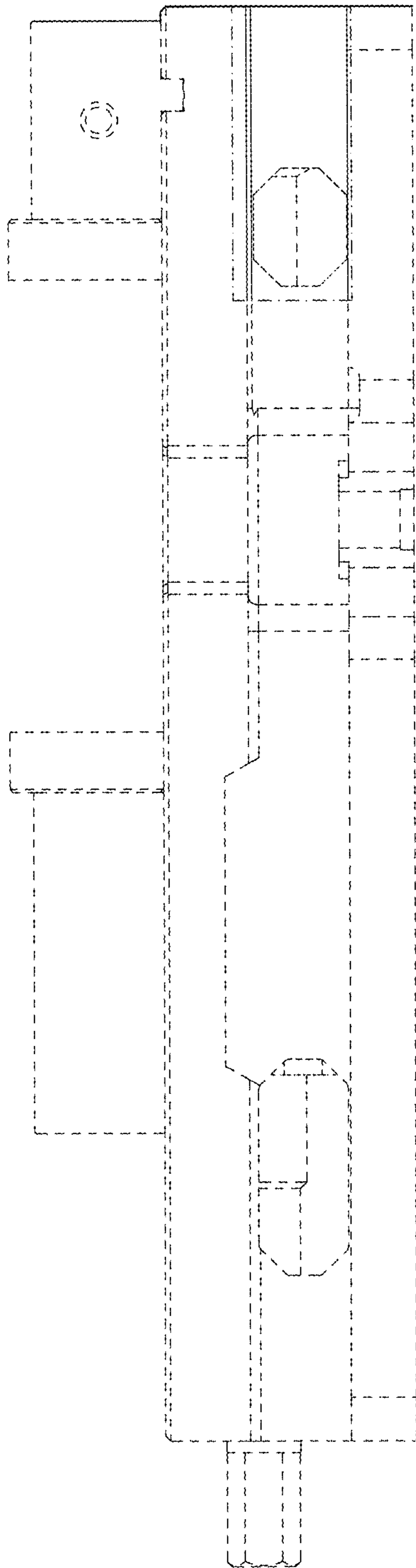


FIG. 4

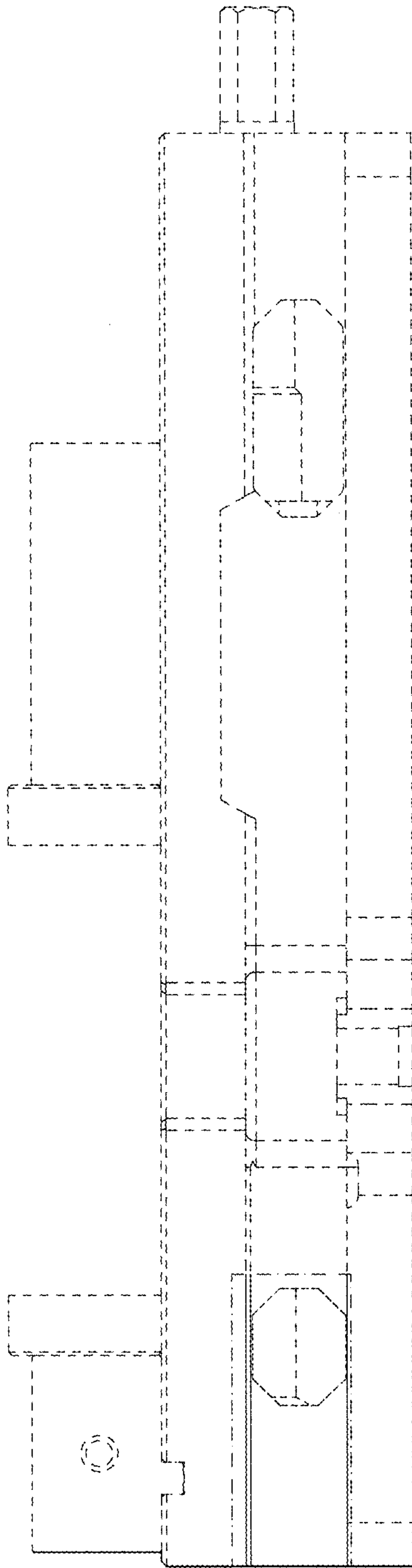


FIG. 5



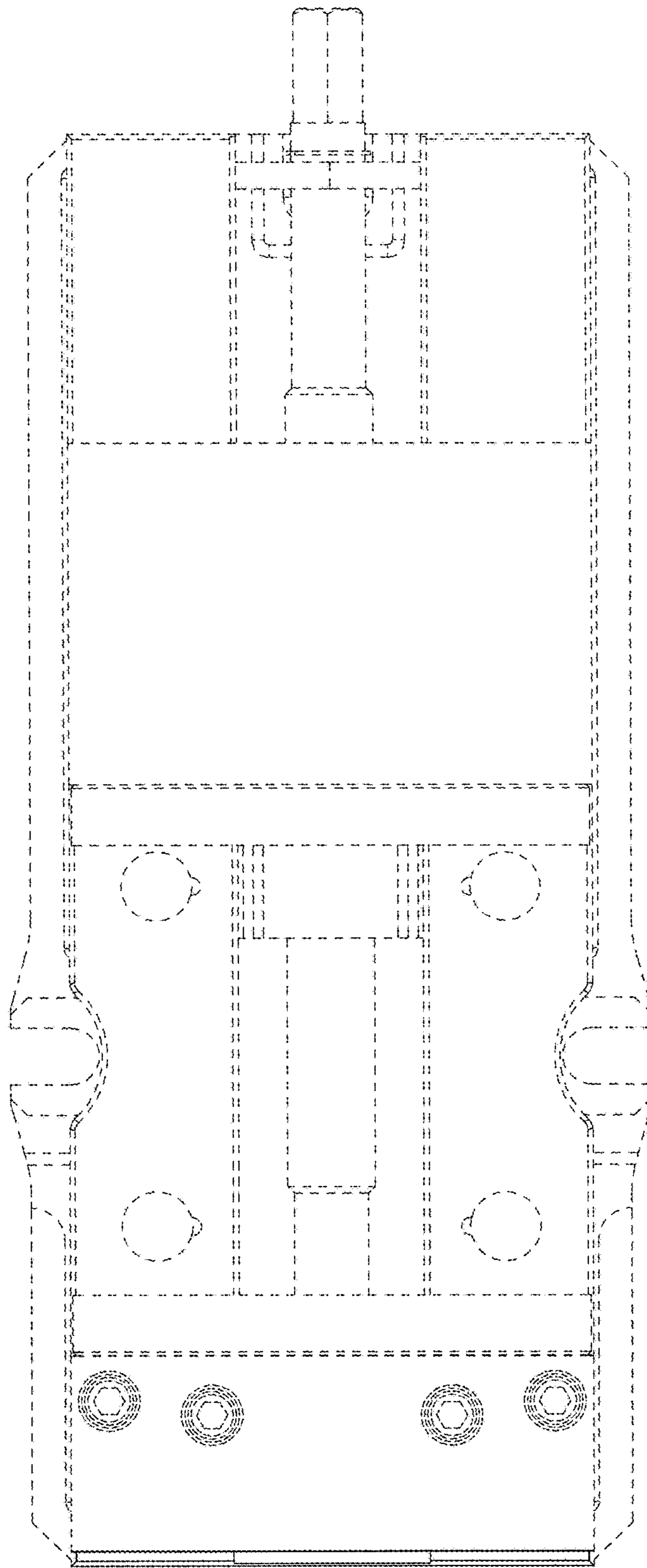


FIG. 6

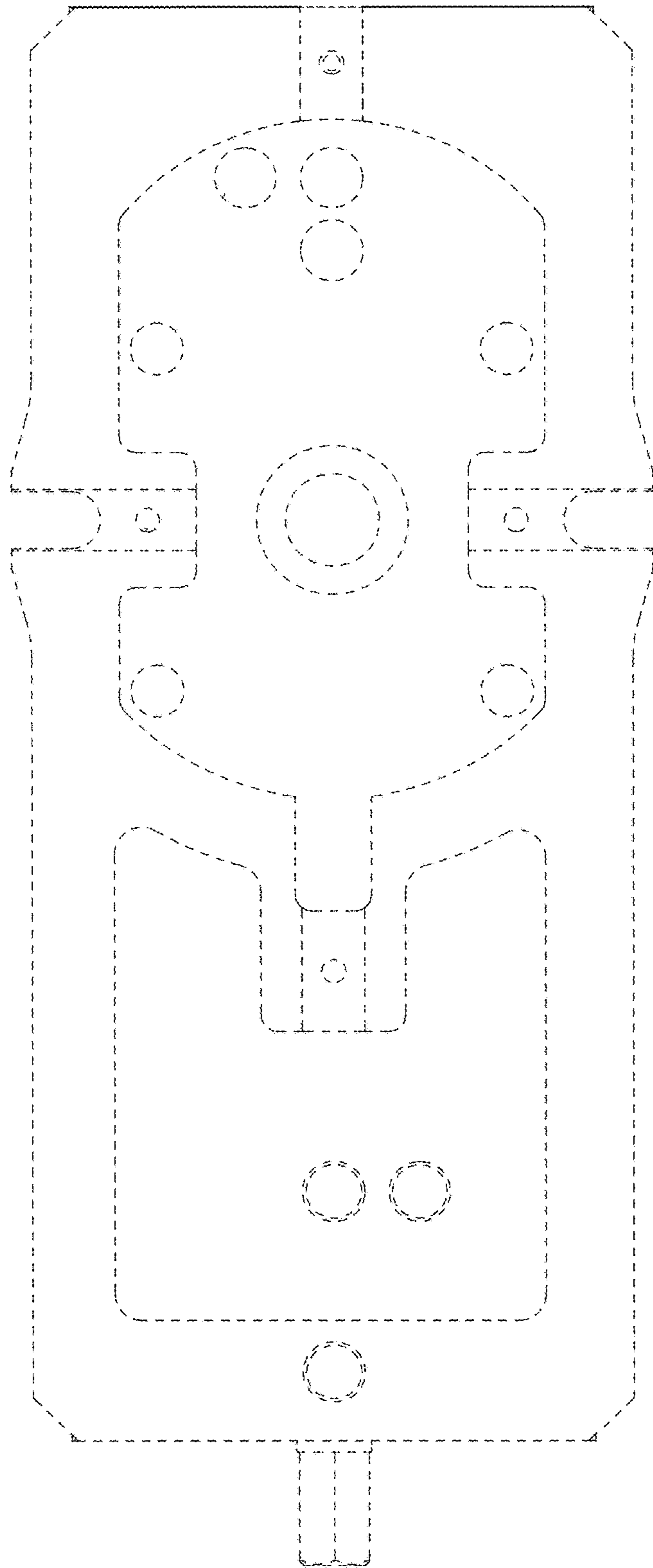


FIG. 7