

US00D838567S

(12) **United States Design Patent**
Boltryk

(10) **Patent No.:** **US D838,567 S**

(45) **Date of Patent:** **** Jan. 22, 2019**

- (54) **DRILL BIT CLIP**
- (71) Applicant: **Lech A. Boltryk**, Sierra Vista, AZ (US)
- (72) Inventor: **Lech A. Boltryk**, Sierra Vista, AZ (US)
- (**) Term: **15 Years**
- (21) Appl. No.: **29/618,170**
- (22) Filed: **Sep. 19, 2017**
- (51) **LOC (11) Cl.** **08-05**
- (52) **U.S. Cl.**
USPC **D8/71; D8/70**
- (58) **Field of Classification Search**
USPC **D8/61, 68, 70, 71, 396; D3/228, 905**
CPC **B25H 3/003; B25F 5/029**
See application file for complete search history.

| | | | | | | |
|--------------|------|---------|-----------|-------|------------|-----------|
| 6,910,578 | B2 * | 6/2005 | Stern | | B25H 3/003 | 206/350 |
| 6,964,545 | B1 * | 11/2005 | Languasco | | B25F 5/021 | 206/372 |
| 7,591,616 | B1 * | 9/2009 | Kerner | | B25F 5/029 | 206/379 |
| 7,621,396 | B1 * | 11/2009 | Flores | | B25F 5/029 | 206/379 |
| 8,066,268 | B2 * | 11/2011 | Brauer | | B25F 5/029 | 269/130 |
| D709,749 | S * | 7/2014 | Leonard | | D8/71 | |
| 9,033,198 | B2 * | 5/2015 | Escherich | | B25H 3/003 | 224/183 |
| 9,701,008 | B2 * | 7/2017 | Cho | | A45F 5/02 | |
| 9,878,440 | B2 * | 1/2018 | Da Rosa | | B25H 3/003 | |
| 2006/0104735 | A1 * | 5/2006 | Zeiler | | B25F 5/021 | 408/241 R |
| 2007/0175785 | A1 * | 8/2007 | Sharp | | B25F 5/029 | 206/373 |

* cited by examiner

Primary Examiner — Darlington Ly

(56) **References Cited**
U.S. PATENT DOCUMENTS

| | | | | | | |
|-----------|------|---------|------------|-------|-------------|----------|
| 4,508,221 | A * | 4/1985 | Olson | | B25F 5/029 | 206/371 |
| 4,797,040 | A * | 1/1989 | Hibbard | | B23B 45/001 | 206/379 |
| 4,954,026 | A * | 9/1990 | Zurwelle | | B23B 45/006 | 206/373 |
| D314,699 | S * | 2/1991 | Tamosaitis | | D8/70 | |
| D320,124 | S * | 9/1991 | Gakhar | | D6/553 | |
| 5,056,661 | A * | 10/1991 | Balzano | | B25F 5/029 | 206/350 |
| D369,078 | S * | 4/1996 | Anderson | | D3/905 | |
| D371,945 | S * | 7/1996 | Geary | | D15/140 | |
| 5,842,584 | A * | 12/1998 | Baird | | B25F 5/029 | 211/69.1 |
| 6,729,480 | B1 * | 5/2004 | Blake | | B25F 5/006 | 206/379 |

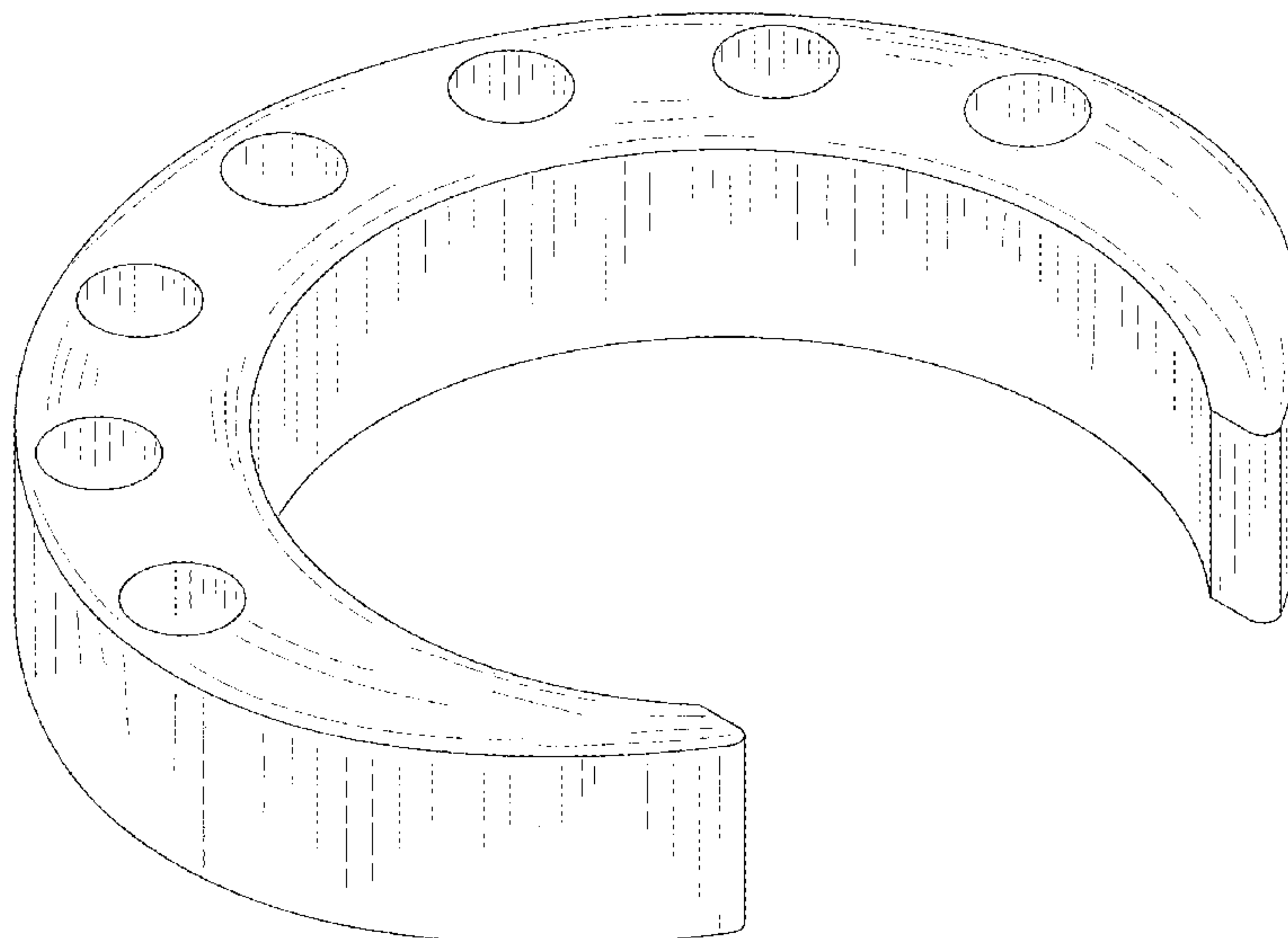
(57) **CLAIM**

The ornamental design for a drill bit clip, as shown and described.

DESCRIPTION

FIG. 1 is a top perspective view of a drill bit clip showing my new design;
 FIG. 2 is a front elevation view thereof;
 FIG. 3 is a rear elevation view thereof;
 FIG. 4 is a top plan view thereof;
 FIG. 5 is a bottom plan view thereof;
 FIG. 6 is a right side elevation view thereof;
 FIG. 7 is a left side elevation view thereof; and,
 FIG. 8 is a bottom perspective view thereof.

1 Claim, 8 Drawing Sheets



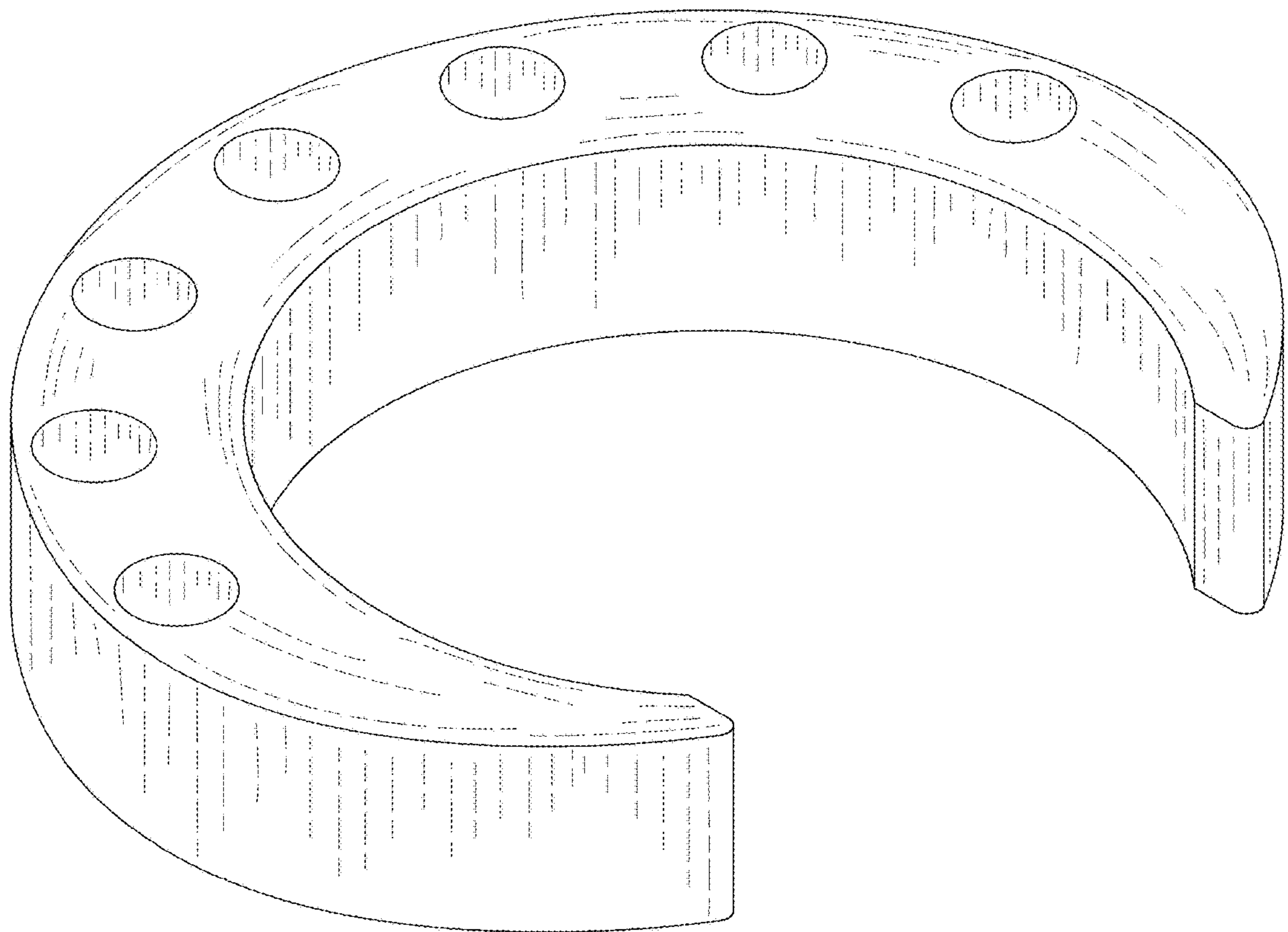


FIG. 1

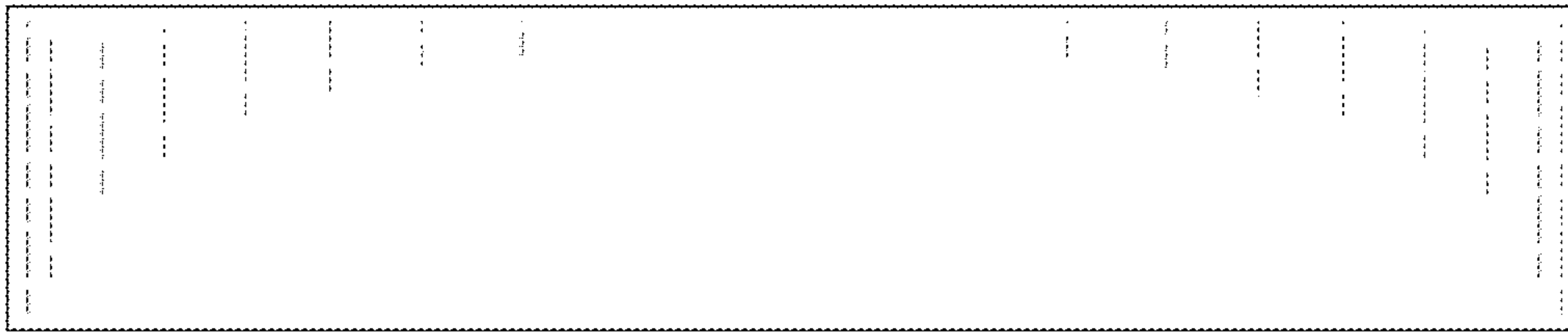


FIG. 2

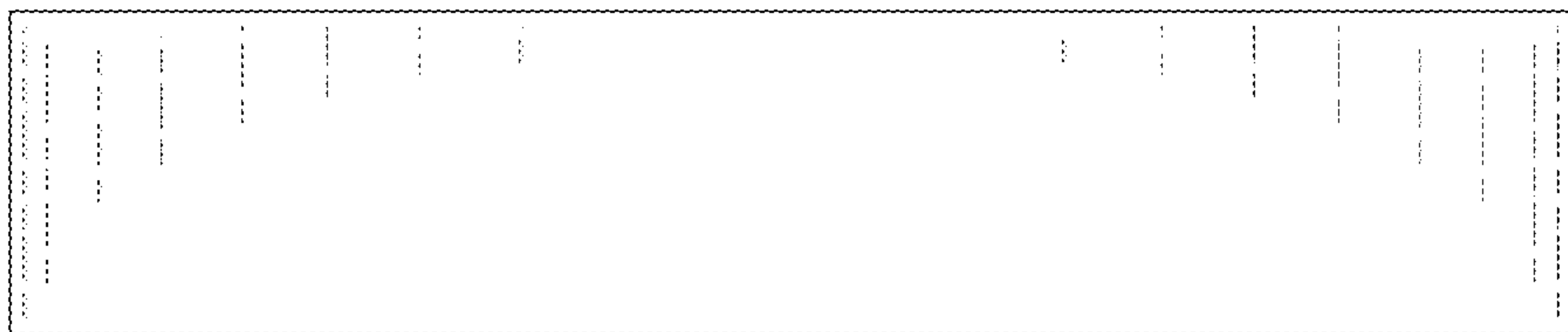


FIG. 3

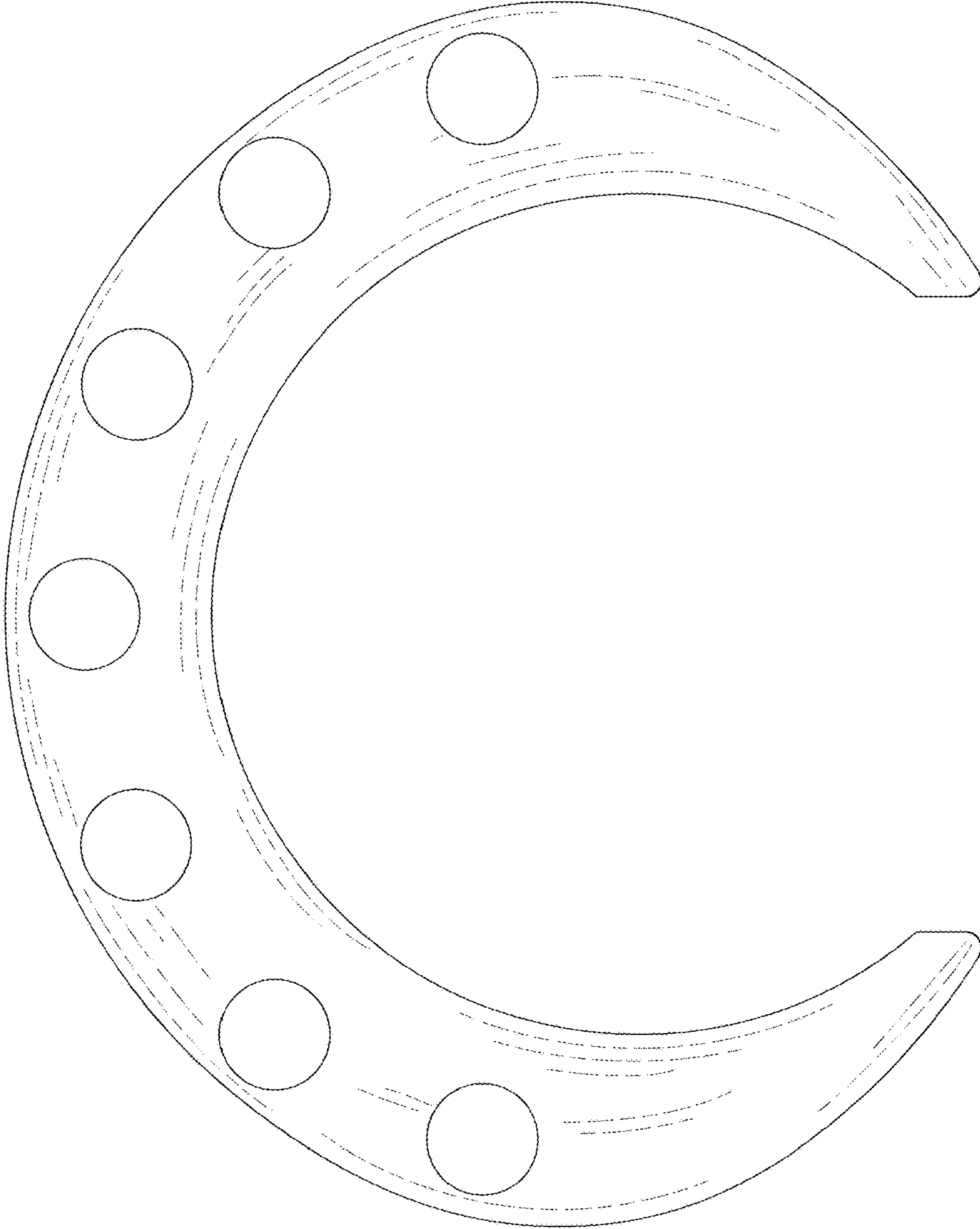


FIG. 4

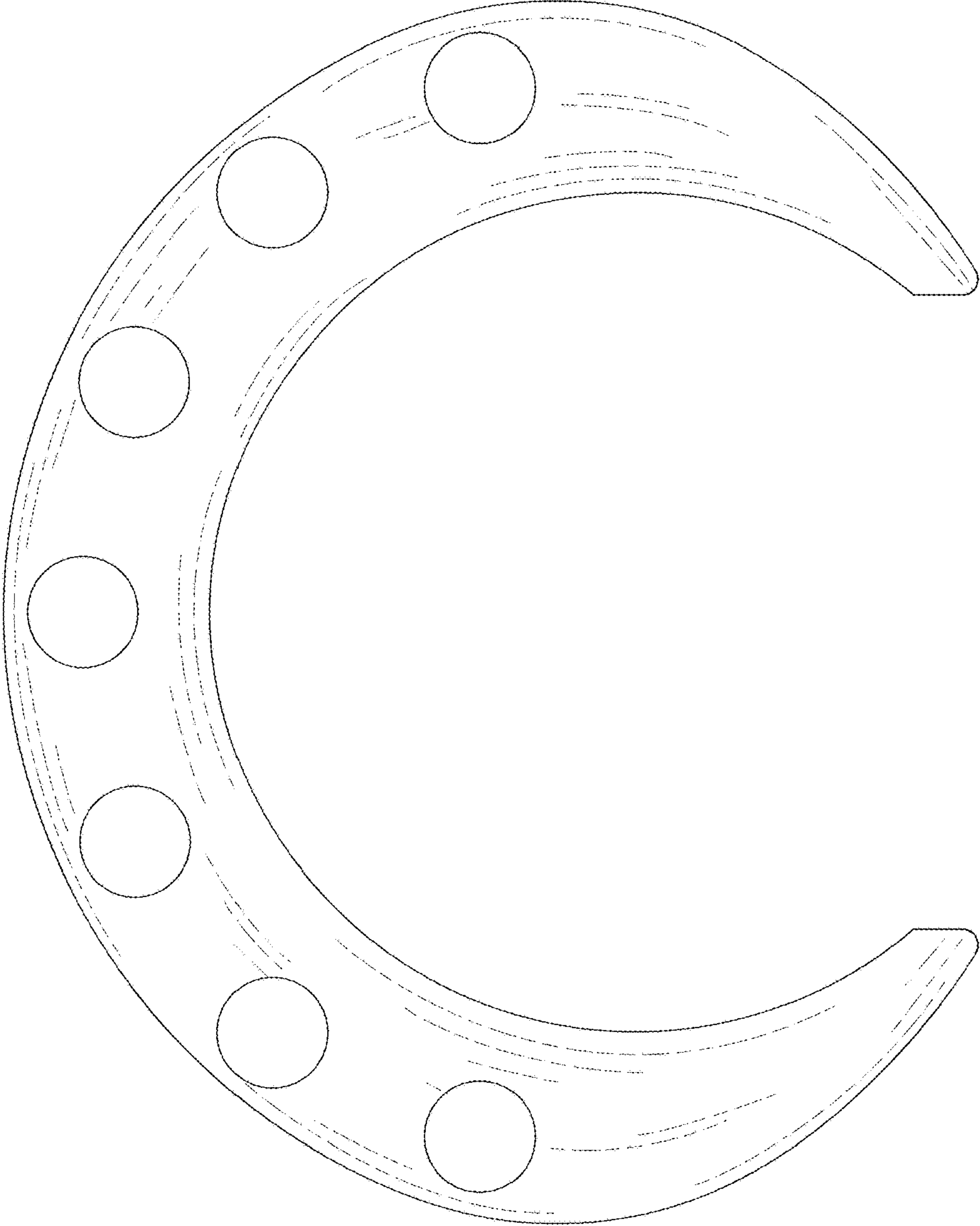


FIG. 5

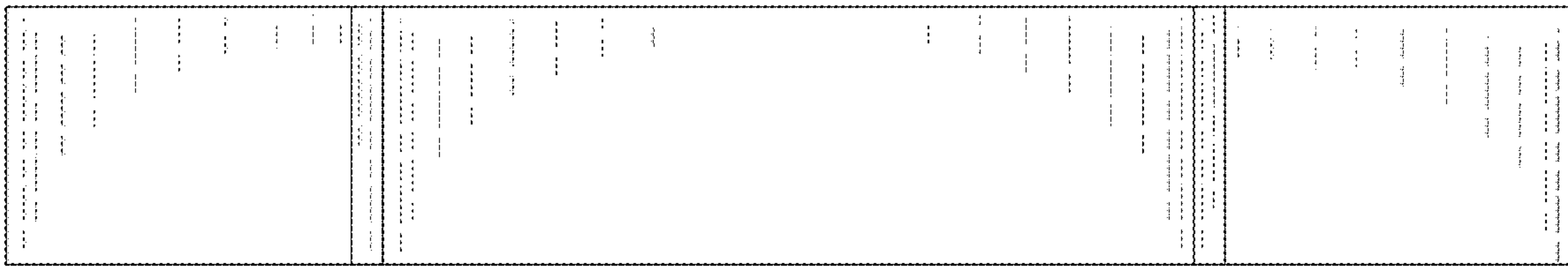


FIG. 6



FIG. 7

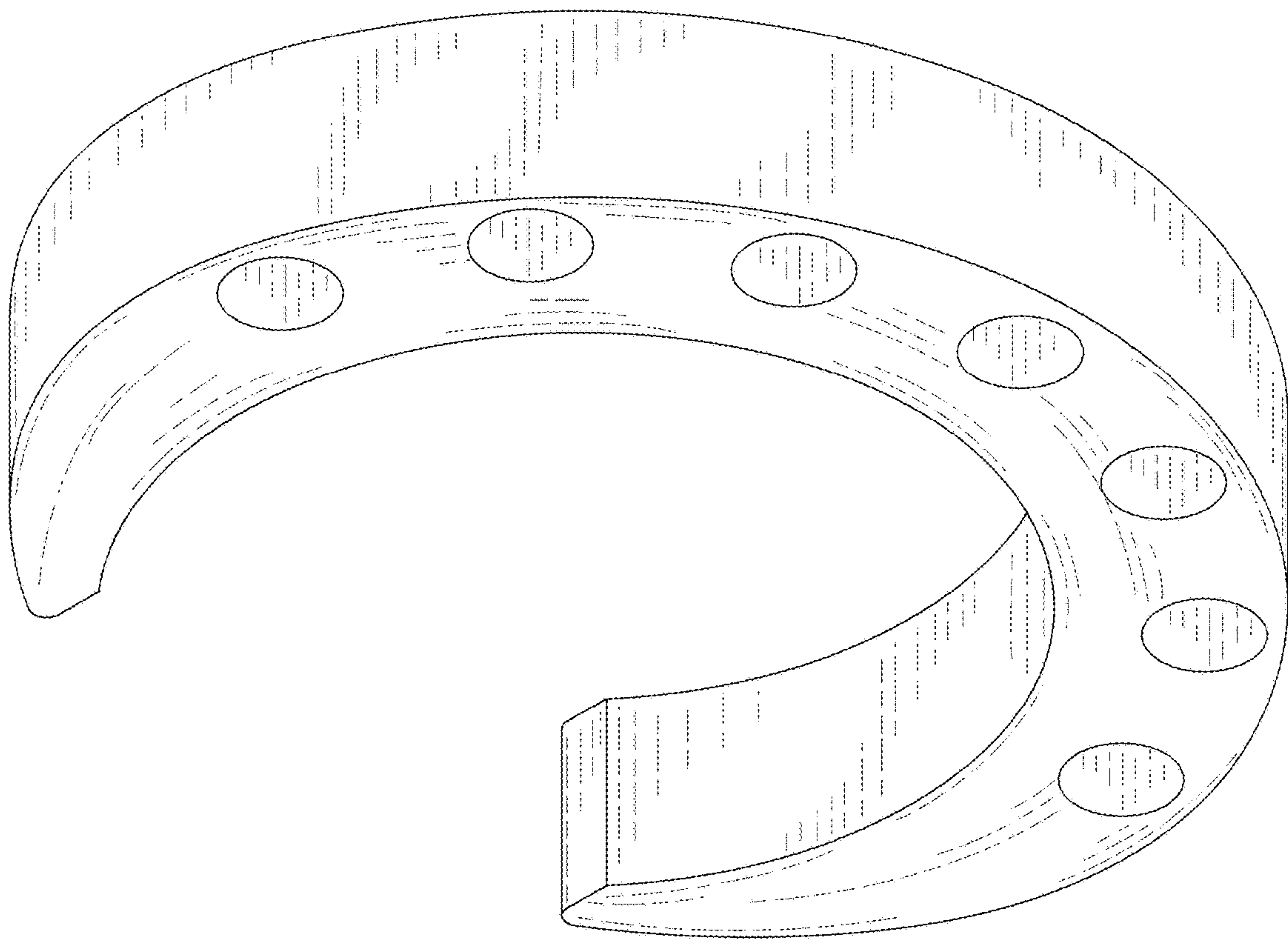


FIG. 8