



US00D838566S

(12) **United States Design Patent**  
**Moss et al.**

(10) **Patent No.:** **US D838,566 S**  
(45) **Date of Patent:** **\*\* Jan. 22, 2019**

(54) **TOOL BIT FOR DRIVING THREADED FASTENERS**

(71) Applicant: **BLACK & DECKER INC.**, New Britain, CT (US)

(72) Inventors: **Darren B. Moss**, York, PA (US);  
**Michael P. Peters**, Lutherville, MD (US)

(73) Assignee: **BLACK & DECKER INC.**, New Britain, CT (US)

(\*\*) Term: **15 Years**

(21) Appl. No.: **29/609,423**

(22) Filed: **Jun. 30, 2017**

(51) **LOC (11) Cl.** ..... **08-05**

(52) **U.S. Cl.**  
USPC ..... **D8/70; D8/86**

(58) **Field of Classification Search**  
USPC ..... D8/70, 82, 85-87, 105; D15/139  
CPC ..... B25B 13/06; B25B 13/5091; B25B 15/00;  
B25B 15/001; B25B 15/002; B25B 15/004; B25B 15/005; B25B 15/008;  
B25B 15/02; B25B 15/04; B25B 17/00;  
B25B 21/007; B25B 23/00; B25B 23/0035; B25B 23/005; B25B 23/12;  
B25B 23/1405; B25B 27/18; B25B 31/12;  
B25B 51/08; B25B 51/108; B25B 2251/66; B23P 15/00

See application file for complete search history.

(56) **References Cited**

U.S. PATENT DOCUMENTS

3,253,626	A	5/1966	Stillwagon, Jr. et al.
5,012,708	A	5/1991	Martindell
5,096,452	A	3/1992	Wagener
5,724,873	A	3/1998	Hillinger
6,931,967	B1	8/2005	Chang

7,096,768	B1	8/2006	Chen	
7,114,728	B2	10/2006	Chen	
7,261,023	B2	8/2007	Taguchi	
7,387,054	B2	6/2008	Rajotte	
7,424,841	B2	9/2008	Liu	
7,565,854	B2	7/2009	Chiang et al.	
D616,280	S *	5/2010	Su	D8/86
D646,138	S *	10/2011	Hsu	D8/86
D646,139	S *	10/2011	Hsu	D8/86
D646,547	S *	10/2011	DeBaker	B25B 15/002 D8/86
D656,611	S *	3/2012	Garcia	D15/139
D704,022	S *	5/2014	Hsu	D8/86
D725,984	S *	4/2015	Moss	D8/86
D726,521	S *	4/2015	Moss	D8/86
9,010,223	B2 *	4/2015	Huang	B25B 15/005 81/436
D736,053	S *	8/2015	Zhang	D8/86

(Continued)

FOREIGN PATENT DOCUMENTS

WO 2012110453 A1 8/2012

*Primary Examiner* — Darlington Ly

(74) *Attorney, Agent, or Firm* — Scott B. Markow

(57) **CLAIM**

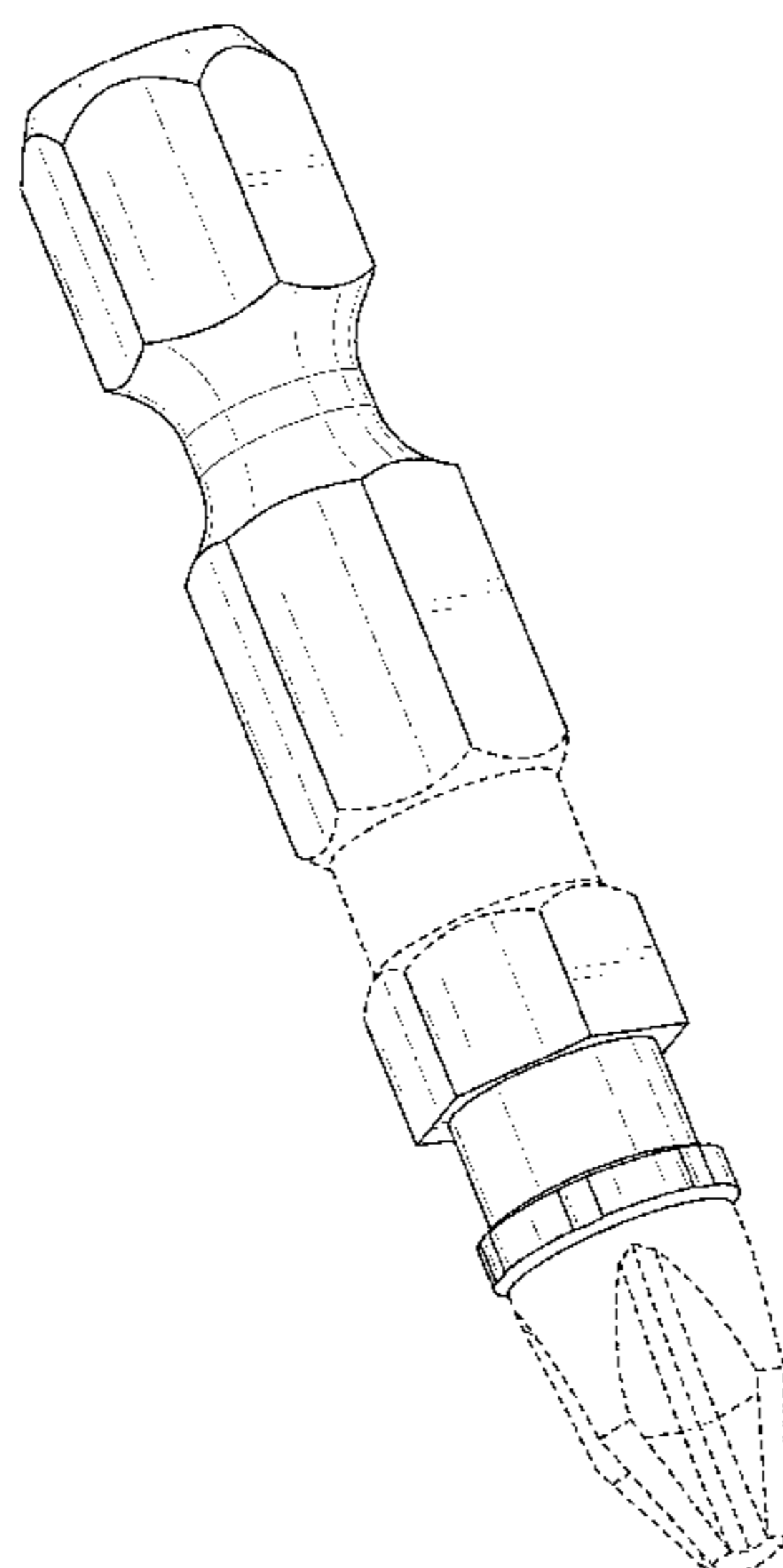
The ornamental design for a tool bit for driving threaded fasteners, as shown and described.

**DESCRIPTION**

FIG. 1 is a perspective view of a tool bit for driving threaded fasteners showing our new design;  
FIG. 2 is a left side elevation view thereof;  
FIG. 3 is a right side elevation view thereof;  
FIG. 4 is a top plan view thereof;  
FIG. 5 is a bottom plan view thereof;  
FIG. 6 is a rear elevation view thereof; and,  
FIG. 7 is a front elevation view thereof.

The broken lines in the drawings illustrate portions of the tool bit for driving threaded fasteners that form no part of the claimed design.

**1 Claim, 4 Drawing Sheets**



(56)

**References Cited**

U.S. PATENT DOCUMENTS

D752,408	S *	3/2016	Moss	.....	D8/86
D764,251	S *	8/2016	Hsu	.....	D8/86
9,406,423	B1	8/2016	Tsai		
D774,868	S *	12/2016	Ouyang	.....	D8/70
9,597,783	B2	3/2017	Zhang		
D786,646	S *	5/2017	Ouyang	.....	D8/70
9,833,887	B1	12/2017	Liu		
D813,003	S *	3/2018	Chang	.....	D8/70
10,022,845	B2 *	7/2018	Neitzell	.....	B25B 15/002
2009/0174157	A1	7/2009	Chang		
2010/0307298	A1 *	12/2010	Lai	.....	B25B 15/002
					81/442
2011/0197721	A1 *	8/2011	DeBaker	.....	B25B 15/002
					81/436
2015/0013508	A1 *	1/2015	Zhang	.....	B25B 15/001
					81/436
2015/0202751	A1	7/2015	Chen		
2016/0016298	A1	1/2016	Zhang et al.		
2016/0023333	A1	1/2016	Chen		
2016/0089772	A1	3/2016	Liu		
2016/0279769	A1	9/2016	Arslan		
2017/0120427	A1	5/2017	Tsai		

\* cited by examiner

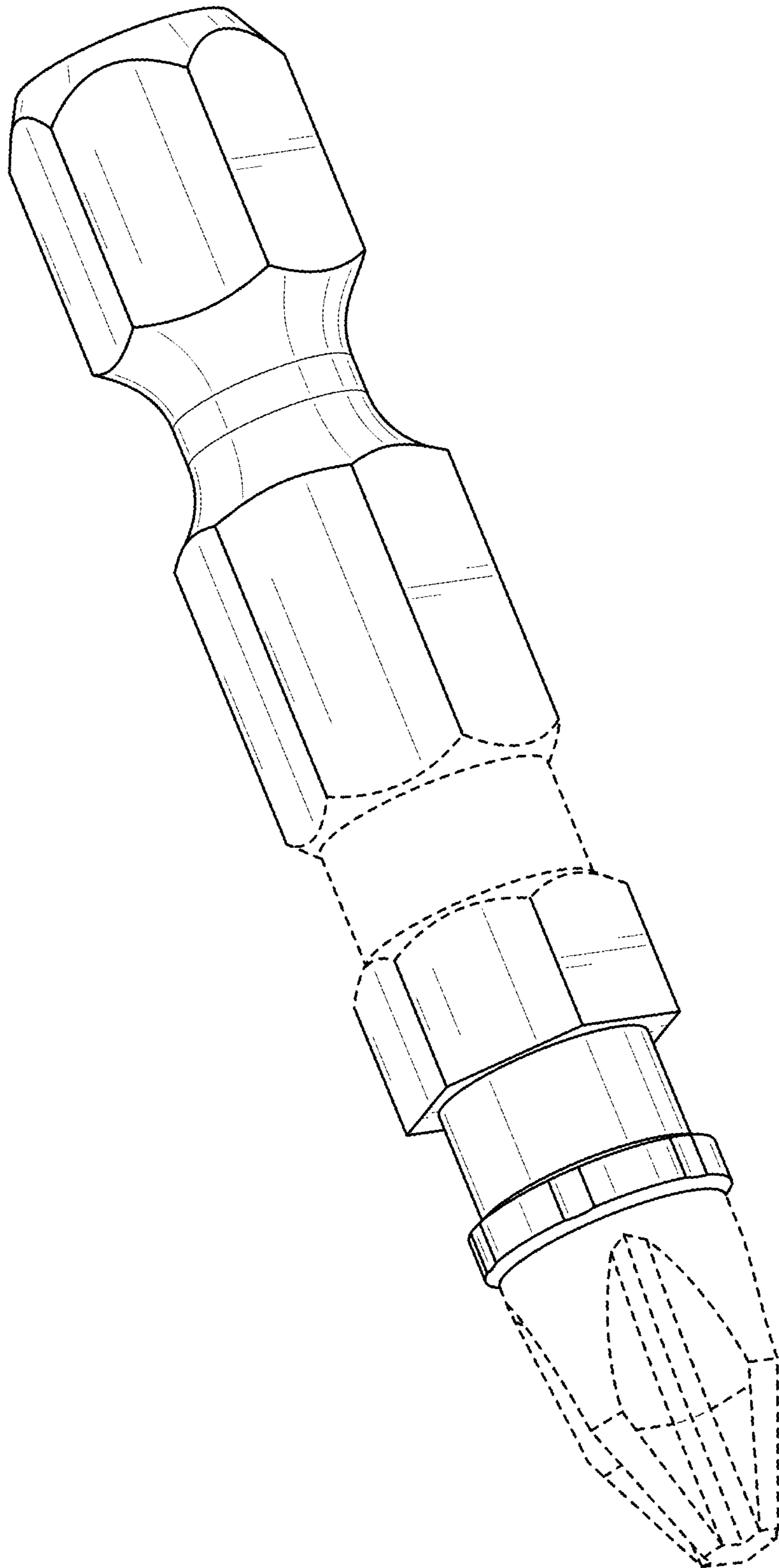


FIG. 1

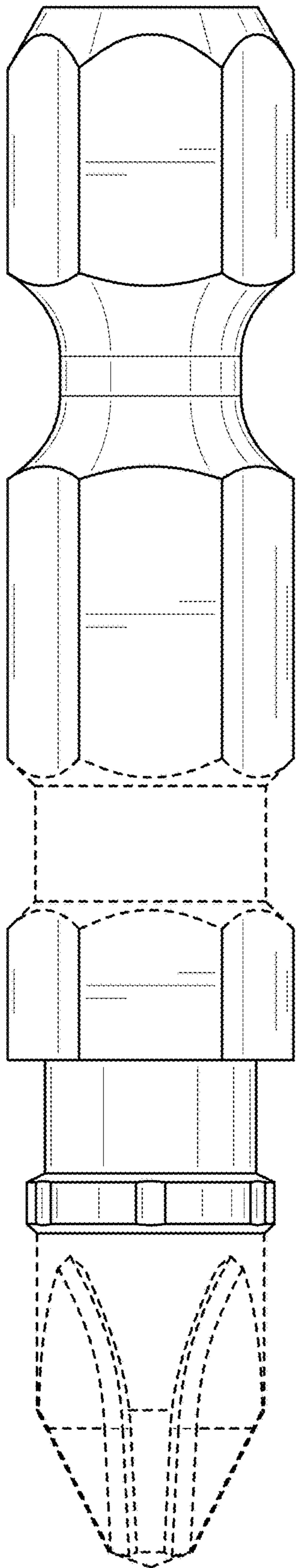


FIG. 2

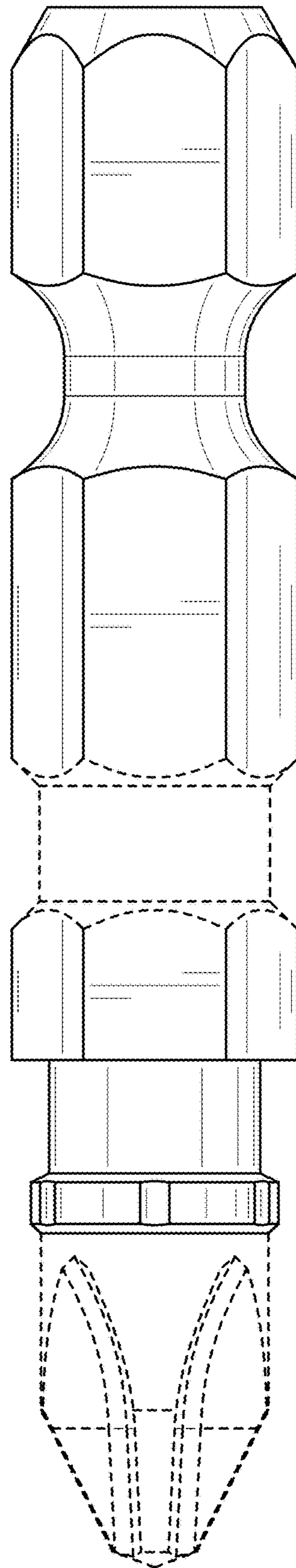


FIG. 3

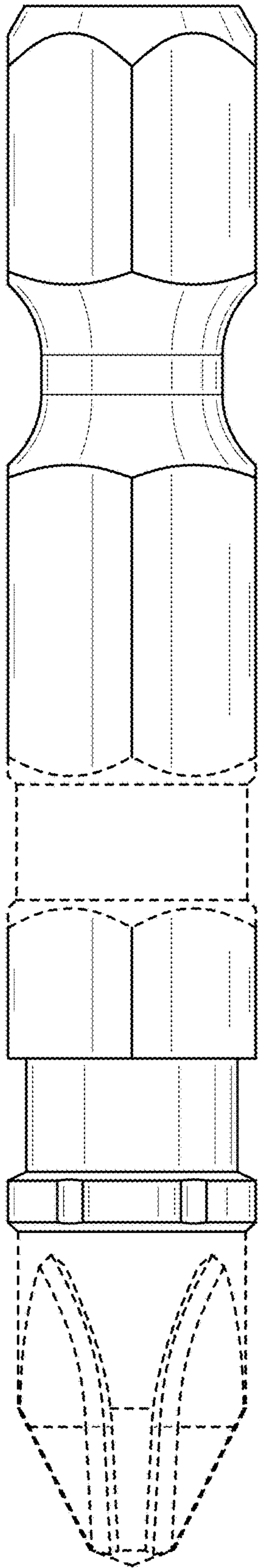


FIG. 4

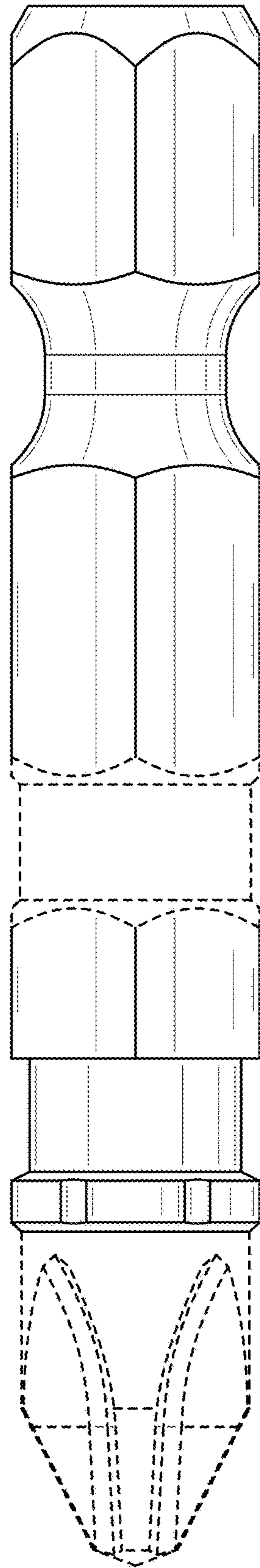


FIG. 5

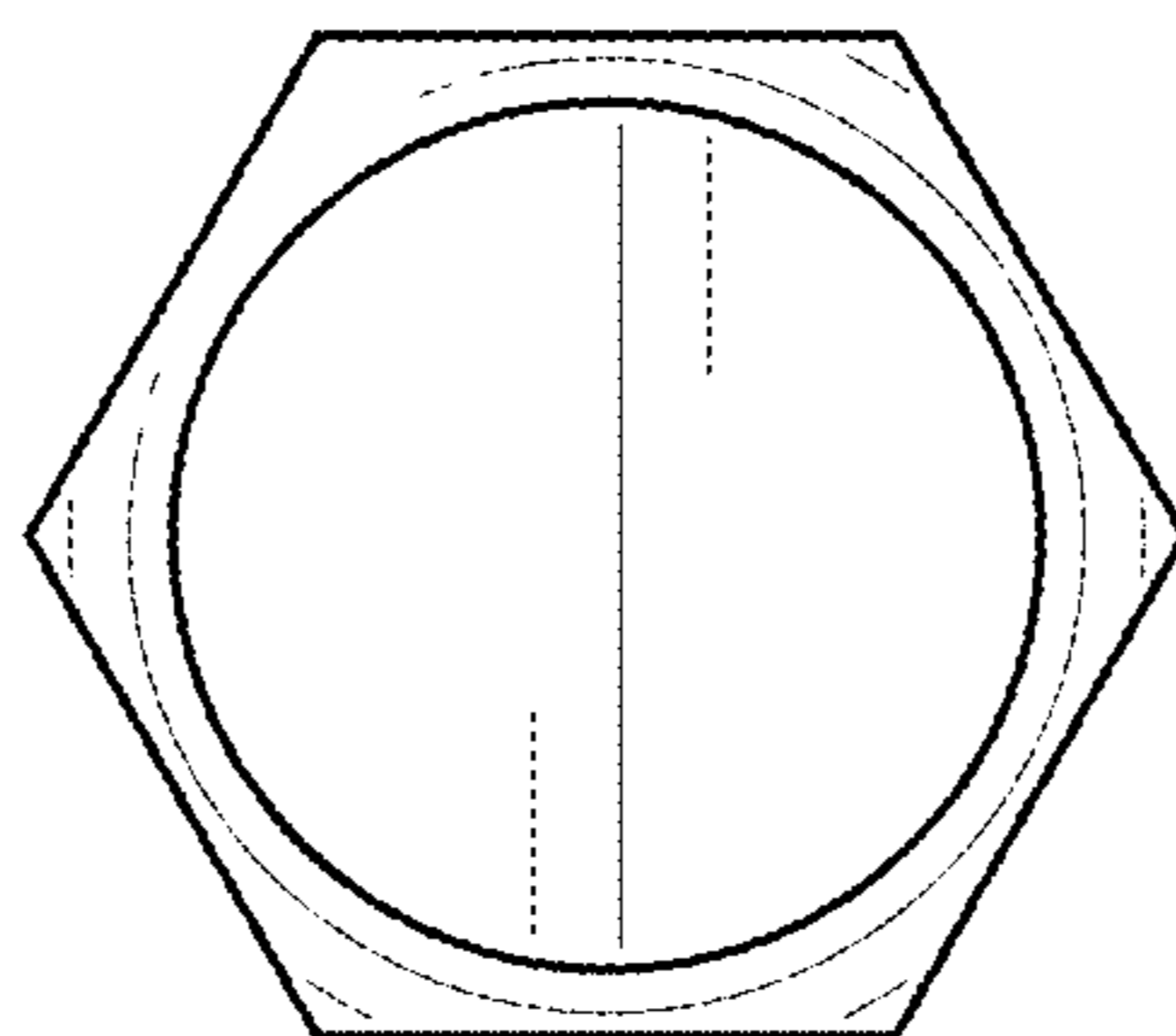


FIG. 6

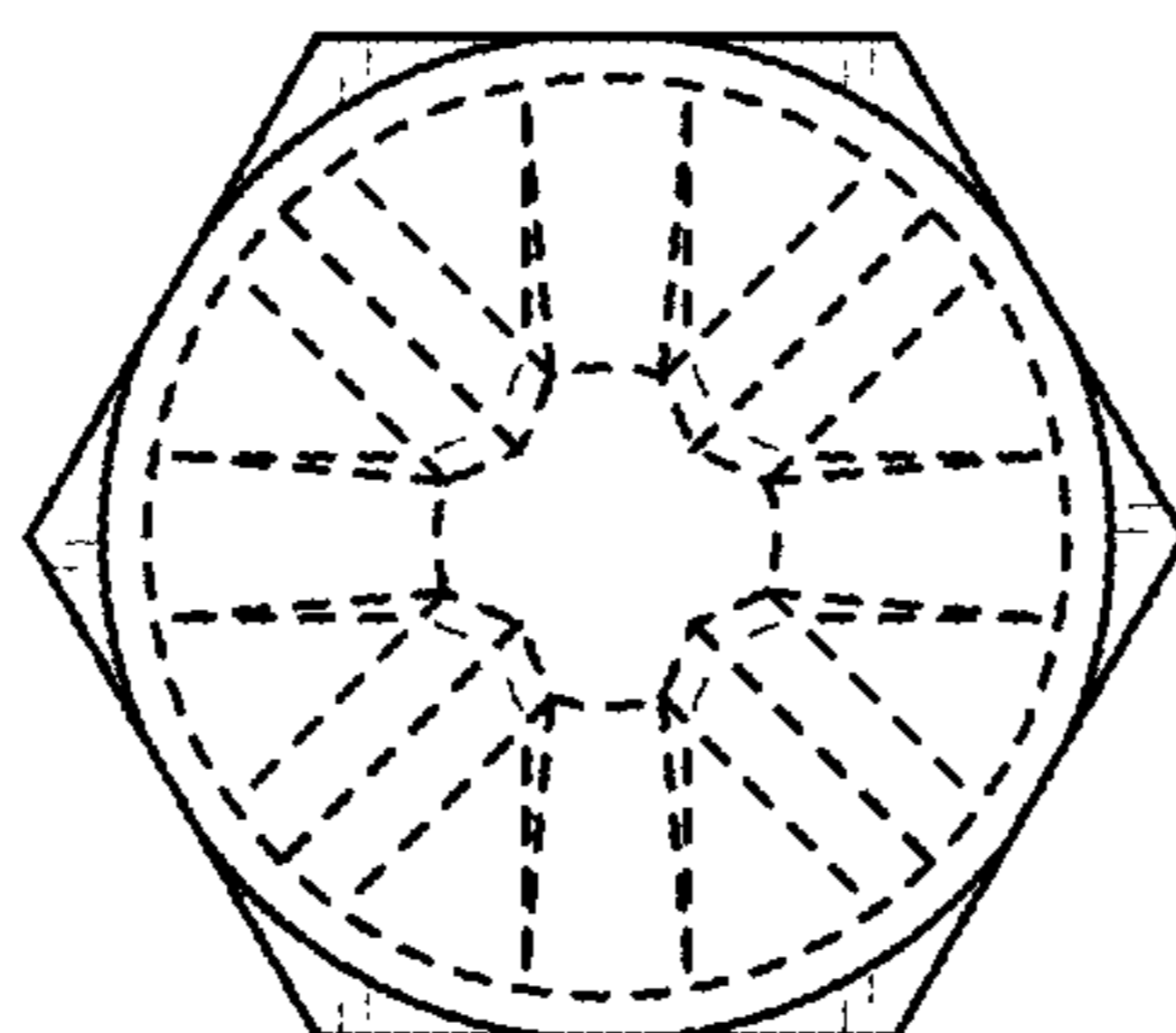


FIG. 7