



US00D838565S

(12) **United States Design Patent**
Zhang

(10) **Patent No.:** **US D838,565 S**

(45) **Date of Patent:** **** Jan. 22, 2019**

(54) **COMBINATION NIPPER**

(71) Applicant: **Ruqian Zhang**, Xiaoshan Hangzhou (CN)

(72) Inventor: **Ruqian Zhang**, Xiaoshan Hangzhou (CN)

(**) Term: **15 Years**

(21) Appl. No.: **29/616,436**

(22) Filed: **Sep. 6, 2017**

(51) **LOC (11) Cl.** **05-05**

(52) **U.S. Cl.**
USPC **D8/55**

(58) **Field of Classification Search**

USPC D8/55, 22, 52, 98, 105
CPC .. B25F 1/006; B25F 1/003; B25F 1/02; B25F 1/00; B25F 1/04; B25B 7/22; B25B 7/02; B25B 7/10; B25B 7/00; B25B 7/146; B25B 7/08; B25B 7/12; B25B 13/14; B25B 13/463; B25B 23/005; B25B 25/00; B25B 27/10; B25B 7/14; Y10T 29/539; Y10T 29/53909; Y10T 29/4959; Y10T 29/49929; Y10T 29/53943; Y10T 29/49817; Y10T 29/4995; Y10T 29/49959; Y10T 29/5393; Y10T 83/8802; Y10T 83/8878; Y10T 83/9447; B25C 11/02; B25C 11/00; B25C 3/006; B23D 29/023; B23D 17/00; B23D 17/06; B23D 21/02; B23D 21/10; B23D 29/002; B23D 35/002; E04G 23/08; E04G 23/082; E04G 2023/085; E04G 5/12; B25G 1/085; B25G 1/105; B25G 1/005; B25G 1/08

See application file for complete search history.

(56) **References Cited**

U.S. PATENT DOCUMENTS

907,147 A * 12/1908 Hendrickson B25B 7/22 7/130
1,893,737 A * 1/1933 Filan B25F 1/006 30/145

D143,769 S * 2/1946 Stiefvater D8/55
D255,539 S * 6/1980 Graham 7/127
D274,032 S * 5/1984 Lai D8/105
4,953,248 A * 9/1990 Trombetta B25F 1/006 7/107
D326,596 S * 6/1992 Trombetta D8/55
D334,521 S * 4/1993 Simpson D8/55
5,303,748 A * 4/1994 Haldemann B21F 9/02 140/121
5,586,584 A * 12/1996 Haldemann B21F 9/02 140/123.5
7,065,819 B1 * 6/2006 Minniti B25B 7/08 7/128
D652,279 S * 1/2012 Greenland D8/55
2003/0154552 A1 * 8/2003 Oka B25B 7/02 7/127

* cited by examiner

Primary Examiner — Rosemary K Tarcza

Assistant Examiner — Nathaniel D. Buckner

(74) *Attorney, Agent, or Firm* — Clement Cheng

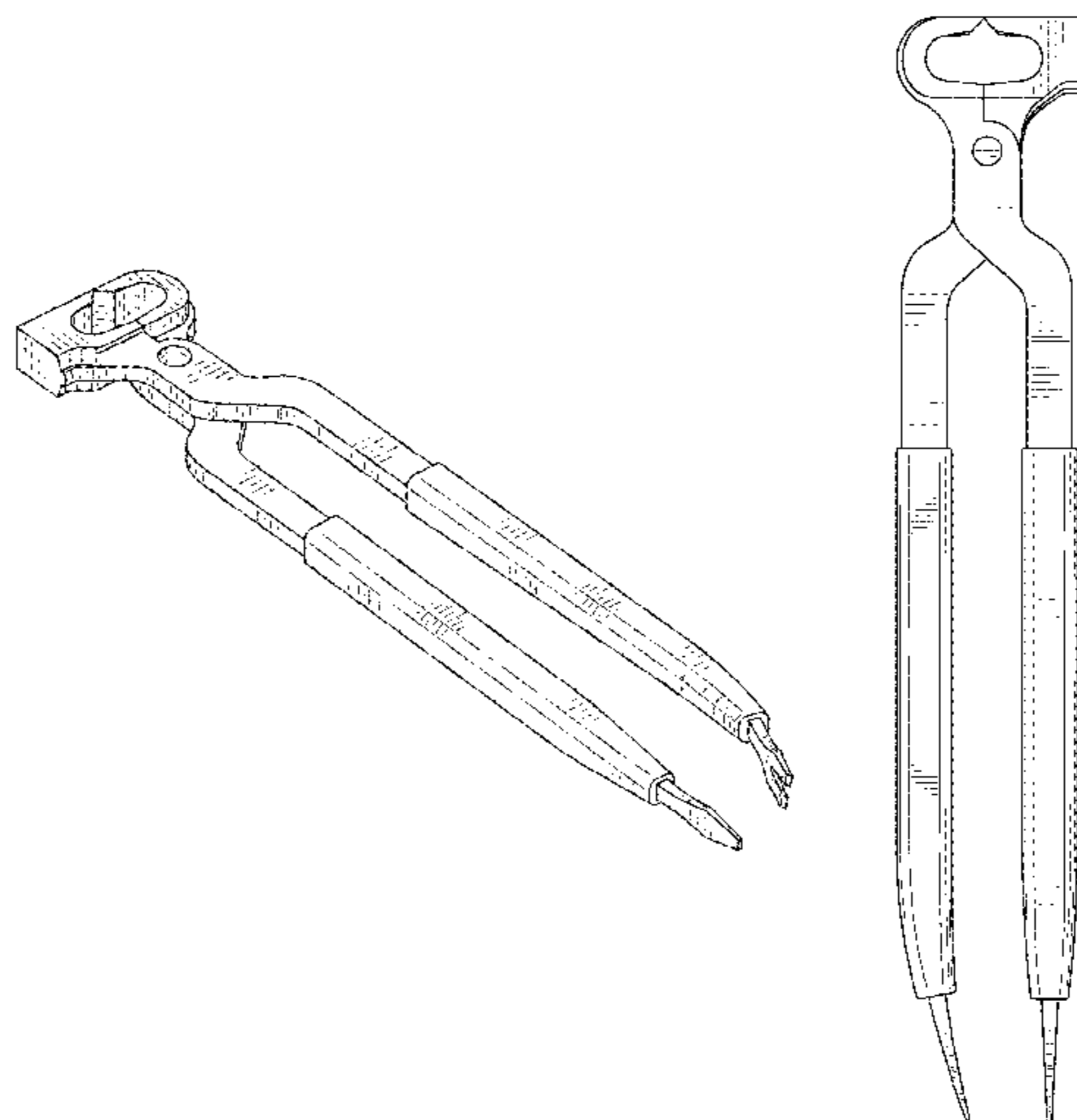
(57) **CLAIM**

The ornamental design for a combination nipper, as shown and described.

DESCRIPTION

FIG. 1 is a front perspective view of a combination nipper showing my new design;
FIG. 2 is a rear perspective view thereof;
FIG. 3 is a front view thereof;
FIG. 4 is a rear thereof;
FIG. 5 is a right side thereof;
FIG. 6 is a left side thereof;
FIG. 7 is a top thereof; and,
FIG. 8 is a bottom thereof.

1 Claim, 5 Drawing Sheets



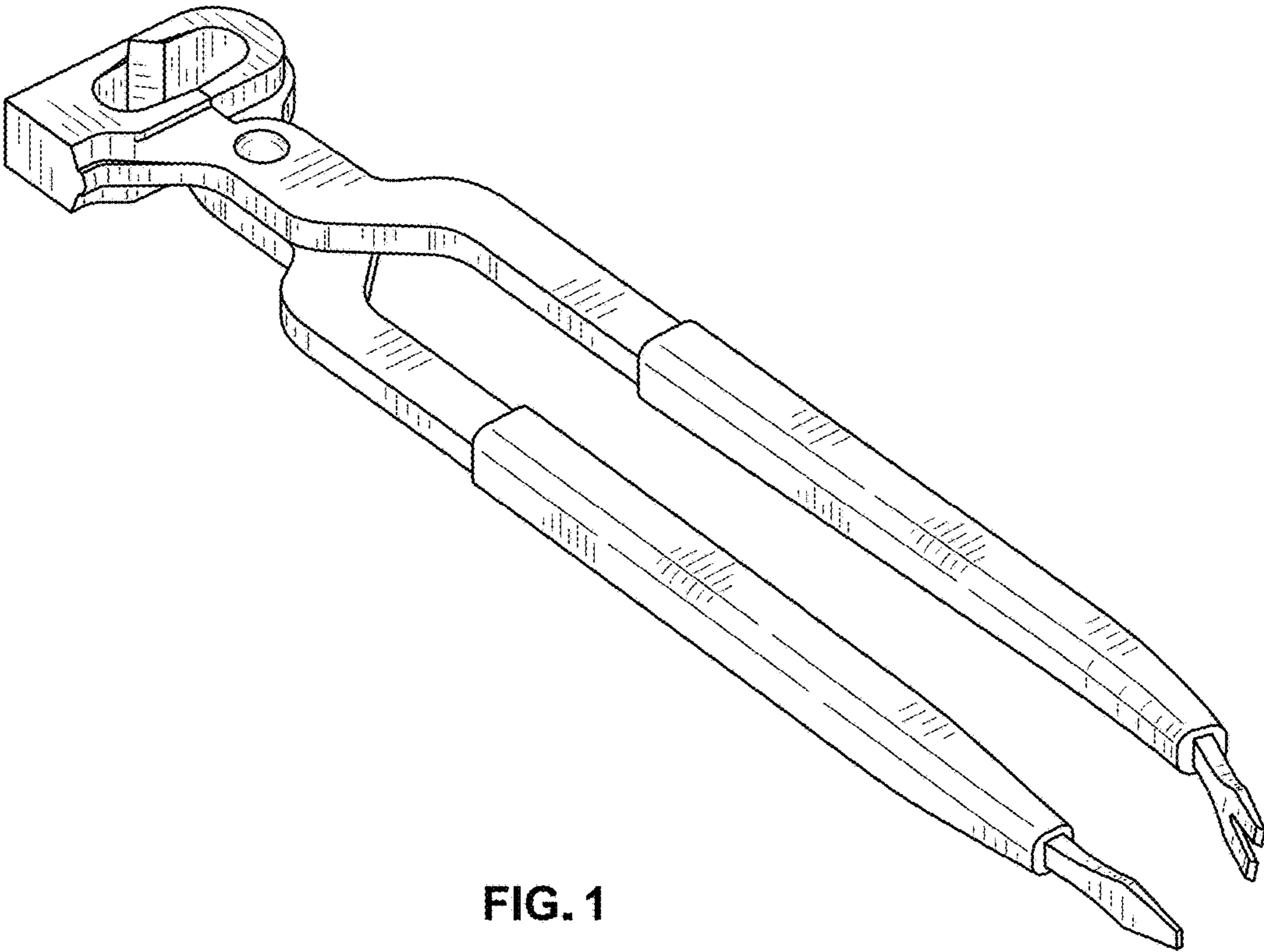


FIG. 1

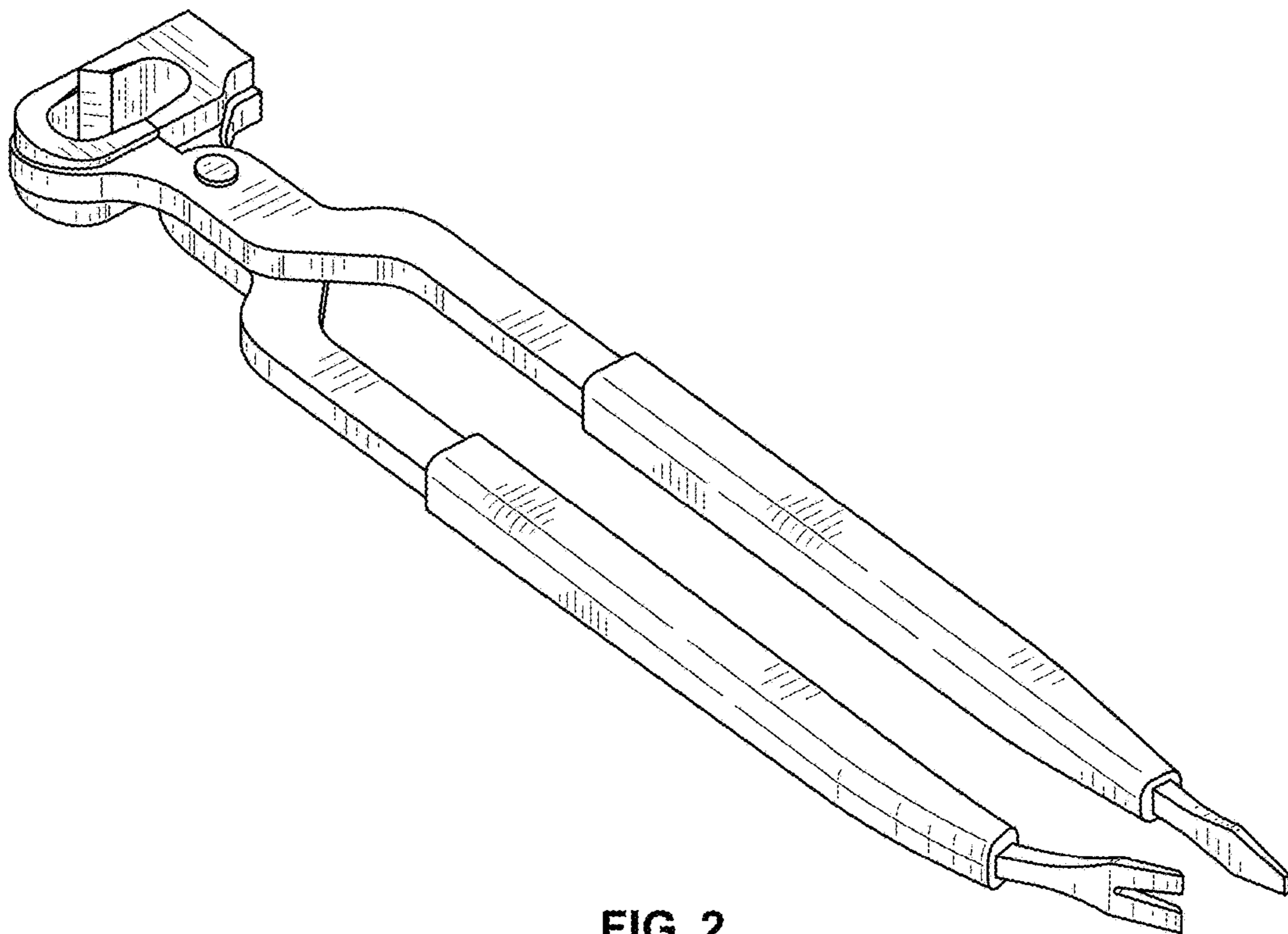


FIG. 2

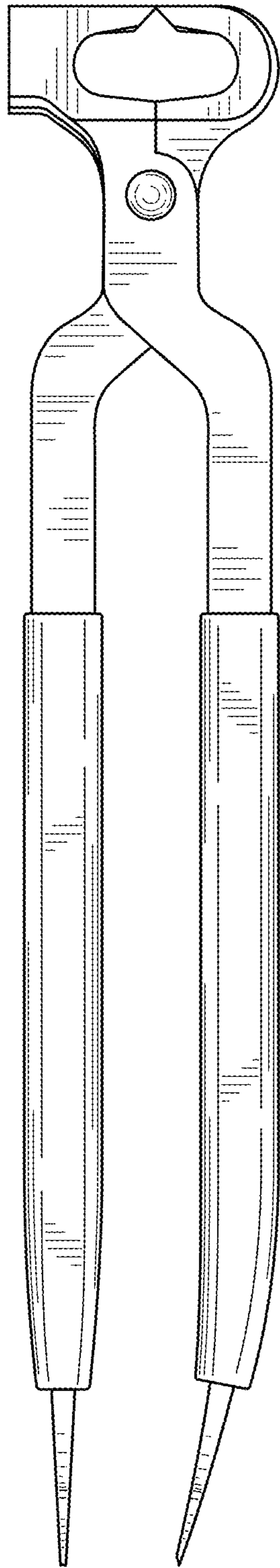


FIG. 3

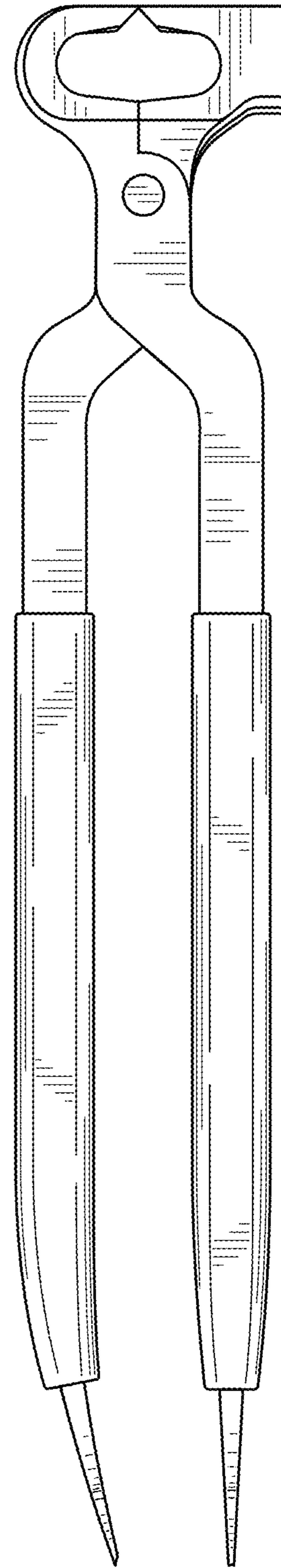


FIG. 4

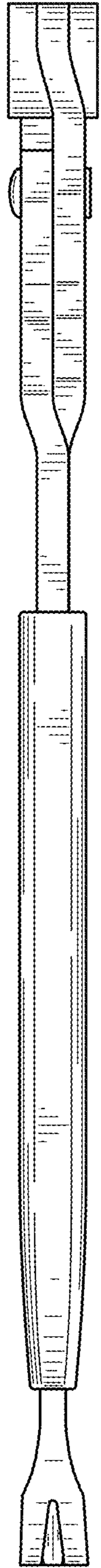


FIG. 5

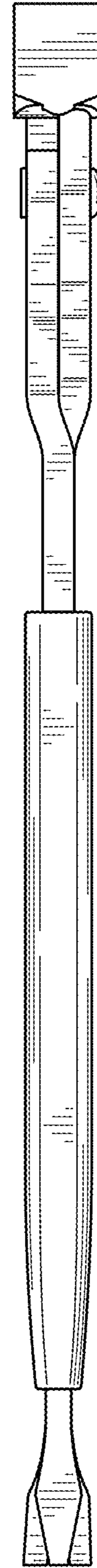


FIG. 6

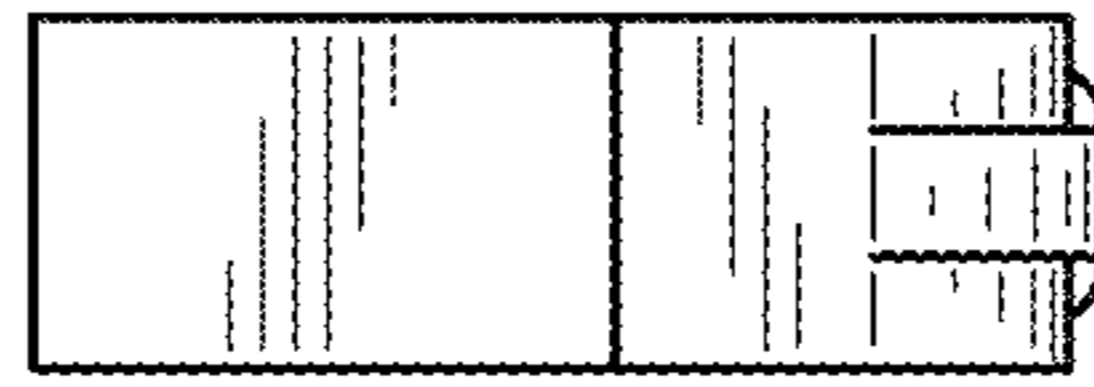


FIG. 7

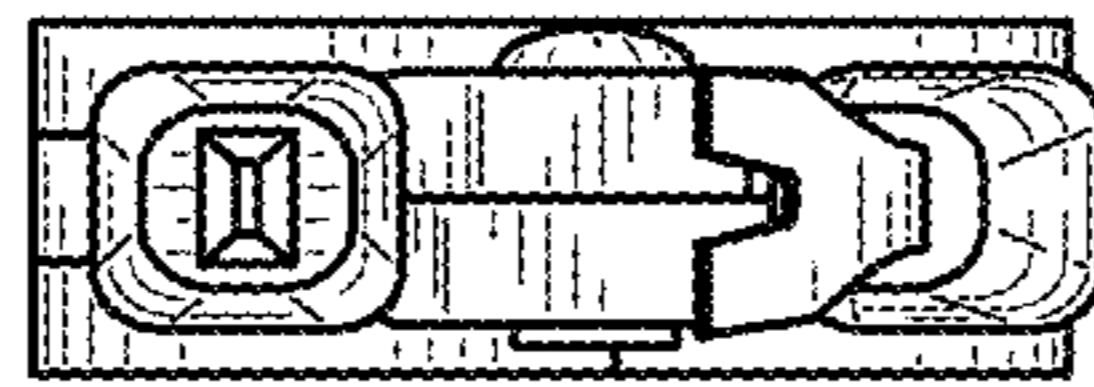


FIG. 8