



US00D838562S

(12) **United States Design Patent**
Paulsen et al.

(10) **Patent No.:** **US D838,562 S**
(45) **Date of Patent:** **** Jan. 22, 2019**

- (54) **TORSION SPRING TOOL**
- (71) Applicants: **Sure Winder LLC**, Oregon City, OR (US); **Loren E. Paulsen**, Salem, OR (US)
- (72) Inventors: **Loren E. Paulsen**, Salem, OR (US); **Christopher Brian Brand**, Oregon City, OR (US)
- (73) Assignees: **Sure Winder LLC**, Oregon City, OR (US); **Loren E. Paulsen**, Salem, OR (US)
- (**) Term: **15 Years**
- (21) Appl. No.: **29/613,936**
- (22) Filed: **Aug. 15, 2017**
- (51) **LOC (11) Cl.** **08-05**
- (52) **U.S. Cl.**
USPC **D8/21; D8/17**
- (58) **Field of Classification Search**
USPC D24/133, 140, 149, 145, 147; D8/17, 21; 81/58.2, 119, 124.2, 186
CPC B25F 5/02; B25G 1/04; B25C 5/10; B25B 13/02
See application file for complete search history.

D644,897 S *	9/2011	Stricker	D8/21
D790,936 S *	7/2017	Leys	D8/21
D806,491 S *	1/2018	Glover	D8/27

OTHER PUBLICATIONS

“SureWinder Demonstration,” YouTube.com, URL: <https://youtu.be/8z6xYnTa8WU>, published Nov. 7, 2010.
Photo of the torsion spring tool available at least as early as Nov. 7, 2010.

* cited by examiner

Primary Examiner — Randall H Gholson

(74) *Attorney, Agent, or Firm* — DASCENZO Intellectual Property Law, P.C.

(57) **CLAIM**

The ornamental design for a torsion spring tool, as shown and described.

DESCRIPTION

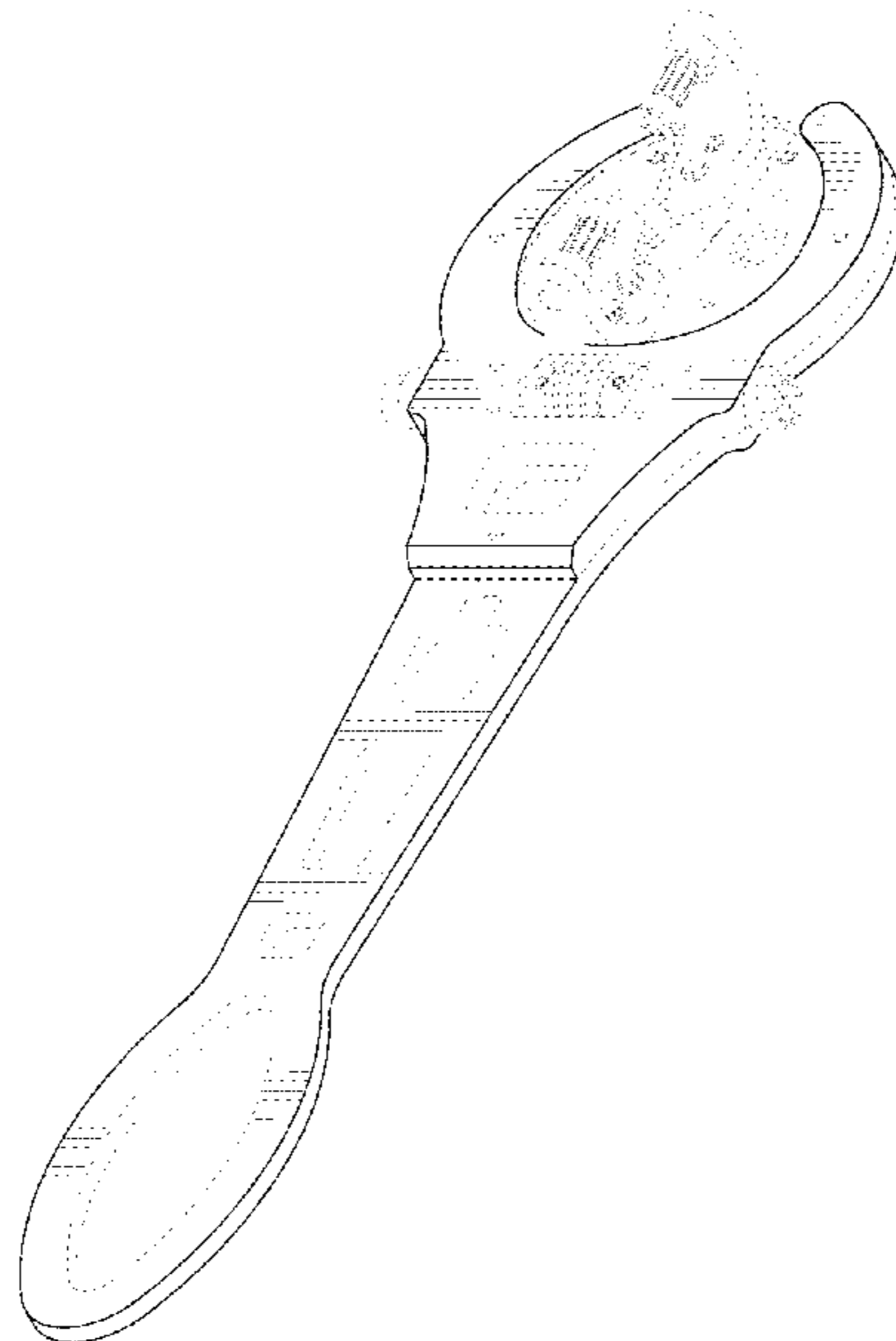
FIG. 1 is a front isometric view of a tool showing the design. FIG. 2 is a rear isometric view of the tool of FIG. 1. FIG. 3 is a top plan view of the tool of FIG. 1. FIG. 4 is a bottom plan view of the tool of FIG. 1. FIG. 5 is a left side elevation view of the tool of FIG. 1. FIG. 6 is a right side elevation view of the tool of FIG. 1. FIG. 7 is a front end elevation view of the tool of FIG. 1; and, FIG. 8 is a rear end elevation view of the tool of FIG. 1. The dashed lines shown in the drawings illustrate portions of the tool that are not presently claimed and thus form no part of the presently claimed design. The shading lines shown in the drawings represent the approximate three-dimensional contour of the claimed design and are not intended to indicate surface decoration.

1 Claim, 6 Drawing Sheets

(56) **References Cited**

U.S. PATENT DOCUMENTS

3,979,977 A *	9/1976	Dorma	B25B 21/002 81/57.13
4,318,315 A *	3/1982	Washburn	B25B 13/463 81/124.2
5,953,966 A *	9/1999	Spirer	B25B 13/463 81/57.3



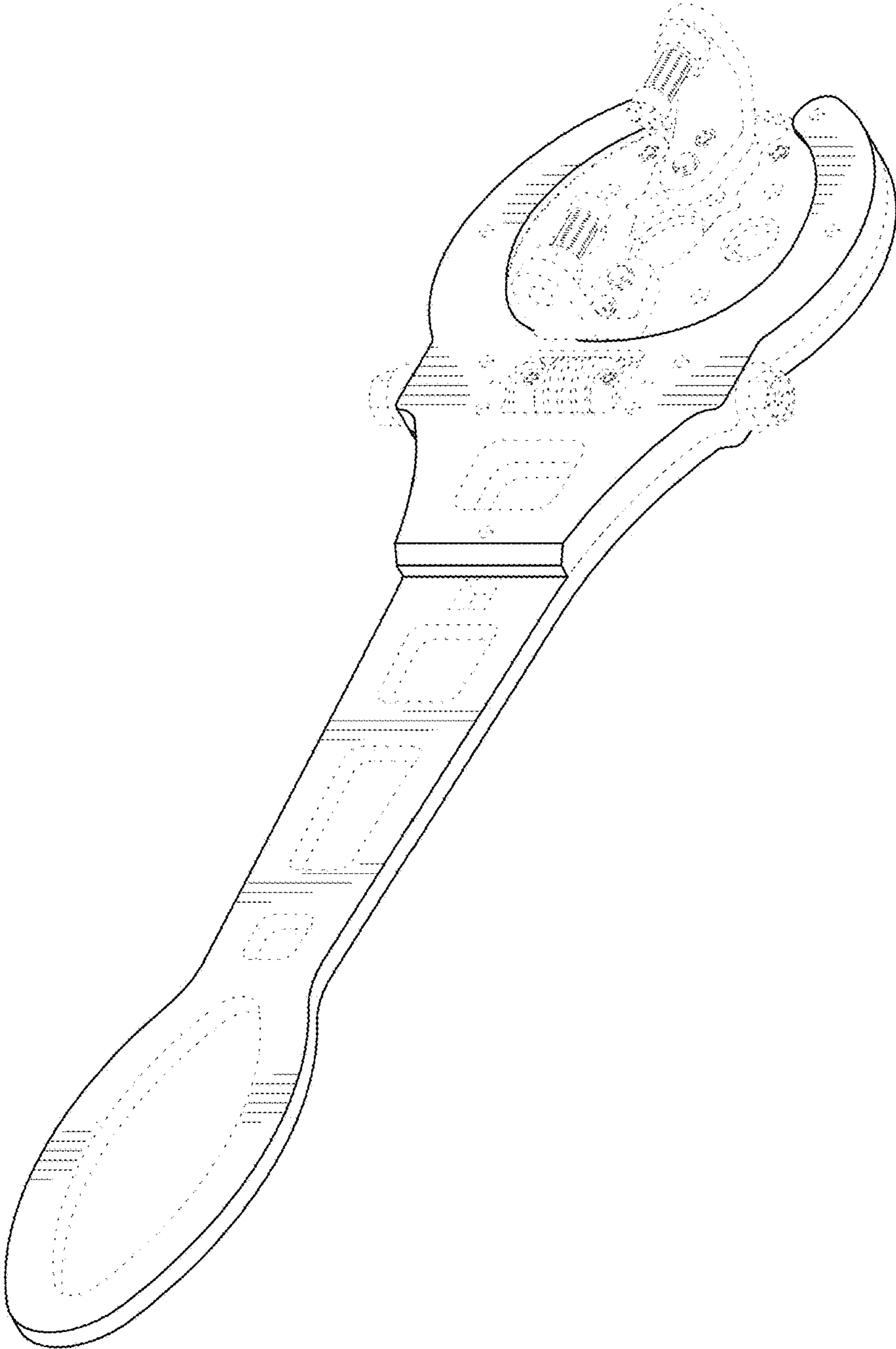


FIG. 1

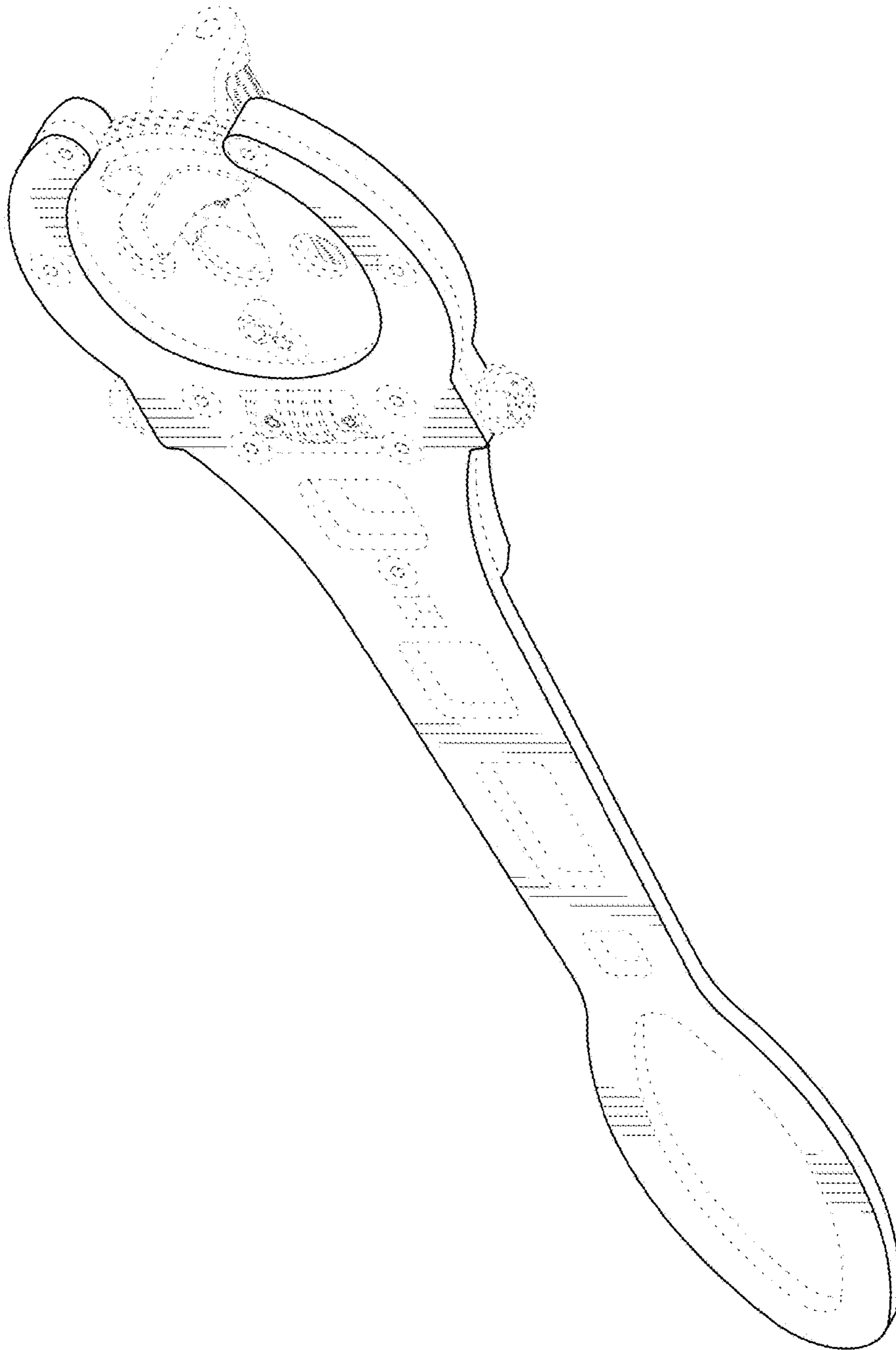


FIG. 2

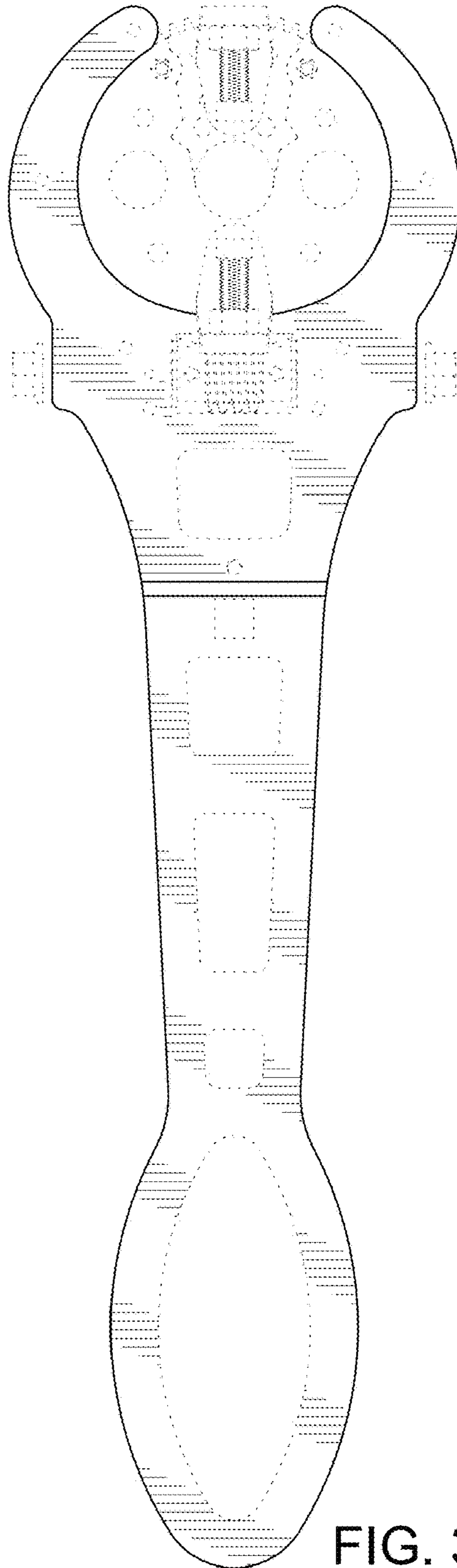


FIG. 3

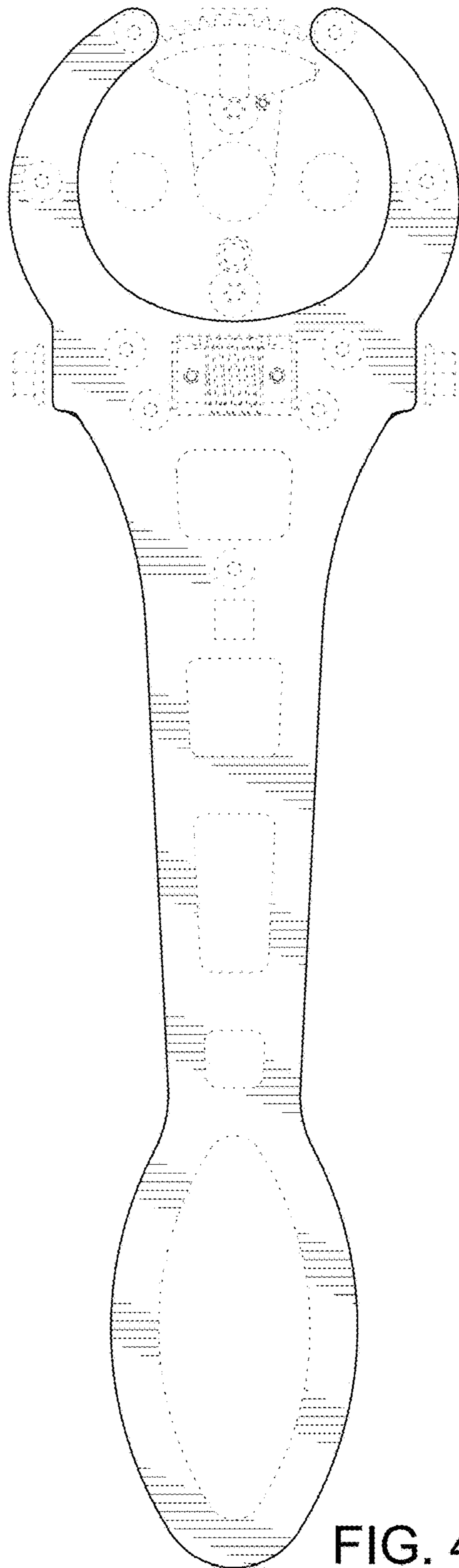
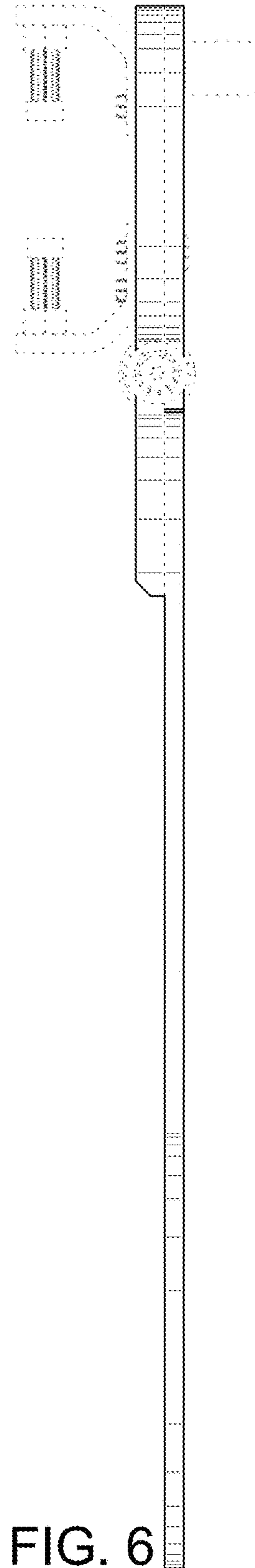
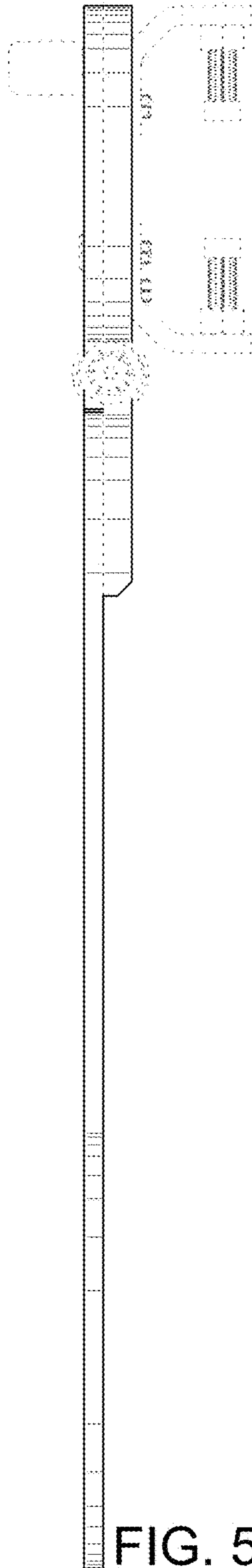


FIG. 4



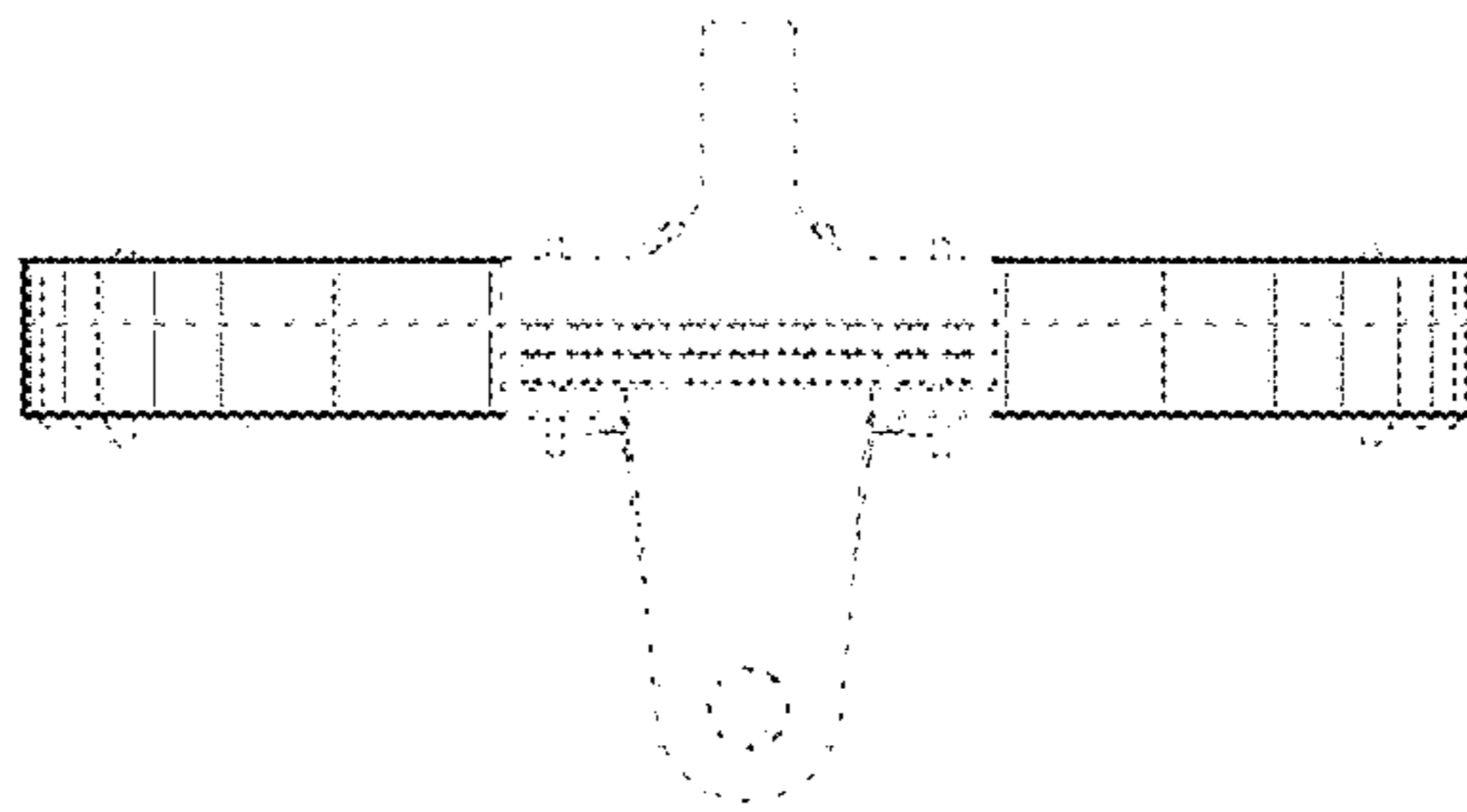


FIG. 7

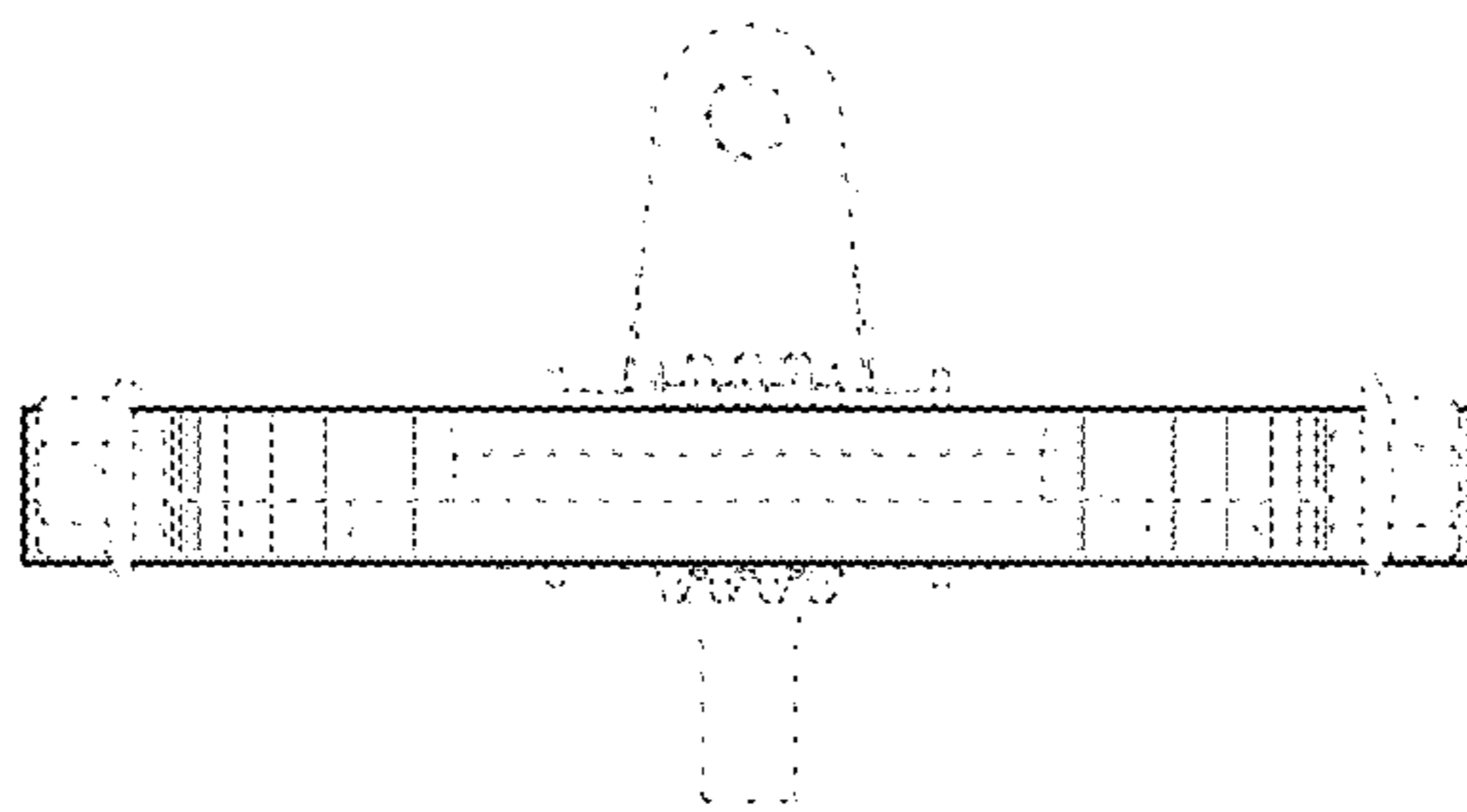


FIG. 8