



US00D838561S

(12) **United States Design Patent** (10) **Patent No.:** **US D838,561 S**
Sill (45) **Date of Patent:** **** Jan. 22, 2019**

(54) **BOTTLE RACK**

(71) Applicant: **Jonathan D. Sill**, Delaware, OH (US)

(72) Inventor: **Jonathan D. Sill**, Delaware, OH (US)

(**) Term: **15 Years**

(21) Appl. No.: **29/611,033**

(22) Filed: **Jul. 18, 2017**

(51) **LOC (11) Cl.** **07-06**

(52) **U.S. Cl.**
USPC **D7/701**

(58) **Field of Classification Search**
USPC D7/600.1-600.4, 619.1, 701-708;
211/74, 71.01, 70.6, 70.7, 85.18-85.23,
(Continued)

(56) **References Cited**

U.S. PATENT DOCUMENTS

2,626,062 A * 1/1953 Manzella D05B 91/14
211/59.1
D221,873 S * 9/1971 Stoy D21/304
(Continued)

FOREIGN PATENT DOCUMENTS

DE 202007010671 2/2008
ES 1135463 1/2015
(Continued)

Primary Examiner — Freda S Nunn

(74) *Attorney, Agent, or Firm* — Ward and Smith, P.A.;
Ryan K. Simmons

(57) **CLAIM**

The ornamental design for a bottle rack, as shown and described.

DESCRIPTION

FIG. 1 is a perspective view of a bottle rack showing a new design;

FIG. 2 is a front view thereof, the rear being a mirror image; FIG. 3 is a left side view thereof, the right side view being a mirror image;

FIG. 4 is another perspective view of the bottle rack of FIG. 1 in use;

FIG. 5 is a front view thereof, the rear being a mirror image; FIG. 6 is a left side view thereof, the right side view being a mirror image;

FIG. 7 is a perspective view of the bottle rack of FIG. 1 showing a second embodiment;

FIG. 8 is a front view thereof, the rear being a mirror image; FIG. 9 is a left side view thereof, the right side view being a mirror image;

FIG. 10 is another perspective view of the bottle rack of FIG. 7 in use;

FIG. 11 is a front view thereof, the rear being a mirror image; FIG. 12 is a left side view thereof, the right side view being a mirror image;

FIG. 13 is a perspective view of the bottle rack of FIG. 1 showing a third embodiment;

FIG. 14 is a front view thereof, the rear being a mirror image;

FIG. 15 is a left side view thereof, the right side view being a mirror image;

FIG. 16 is another perspective view of the bottle rack of FIG. 13 in use;

FIG. 17 is a front view thereof, the rear being a mirror image;

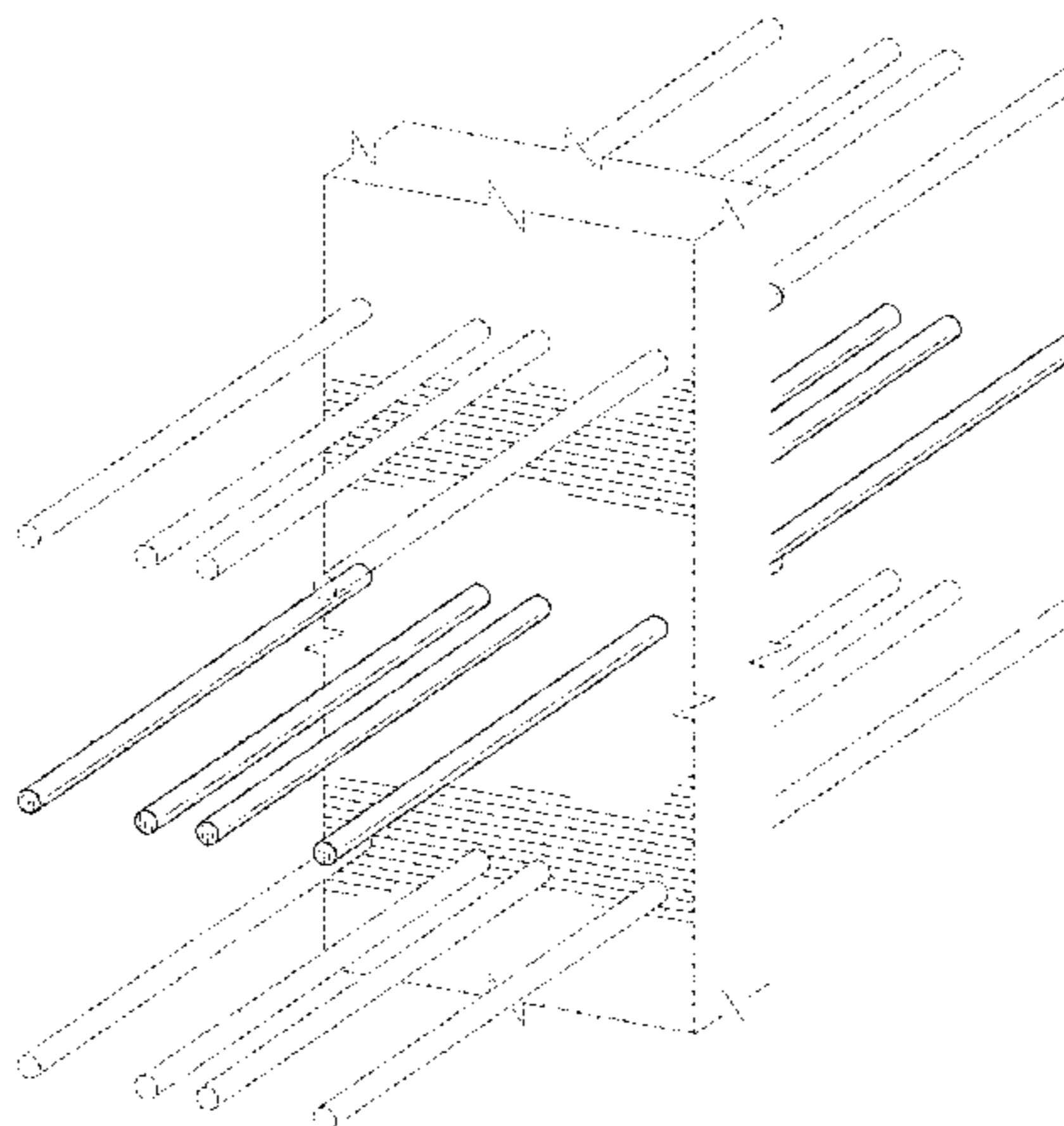
FIG. 18 is a left side view thereof, the right side view being a mirror image;

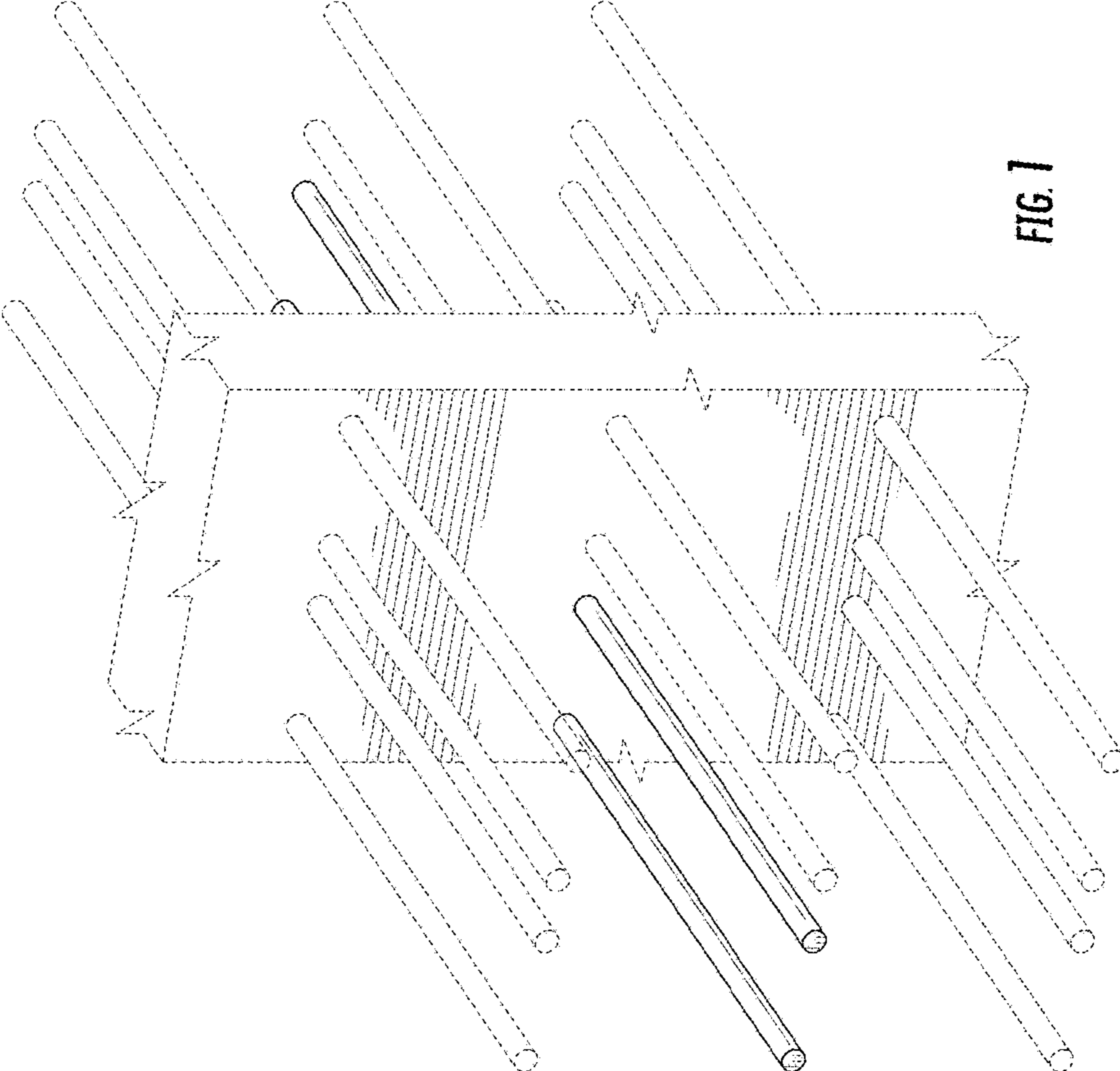
FIG. 19 is a fourth embodiment of the bottle rack—showing a cut-away view; and,

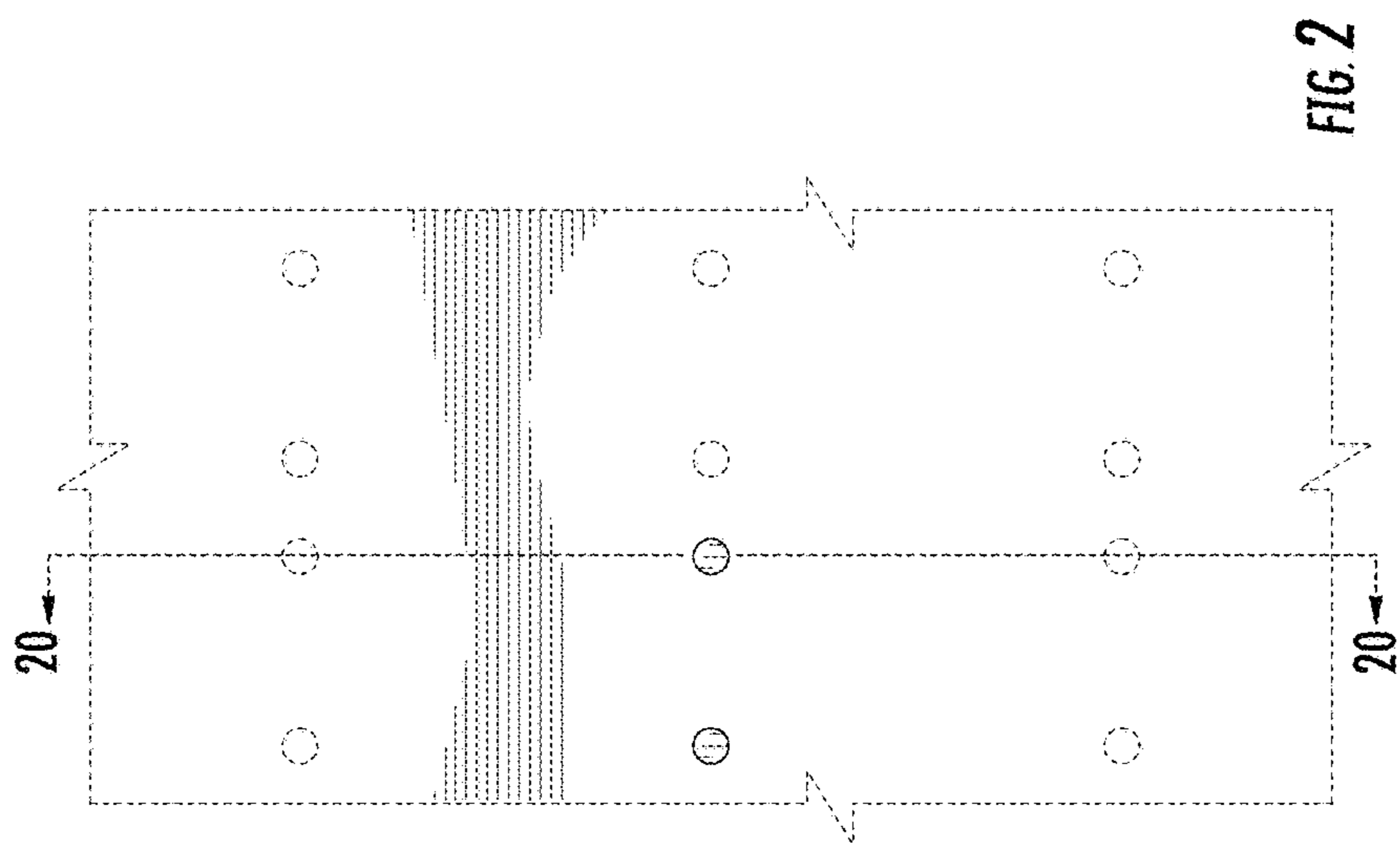
FIG. 20 is a cross-sectional view of the bottle rack taken along line 20-20 in FIG. 2.

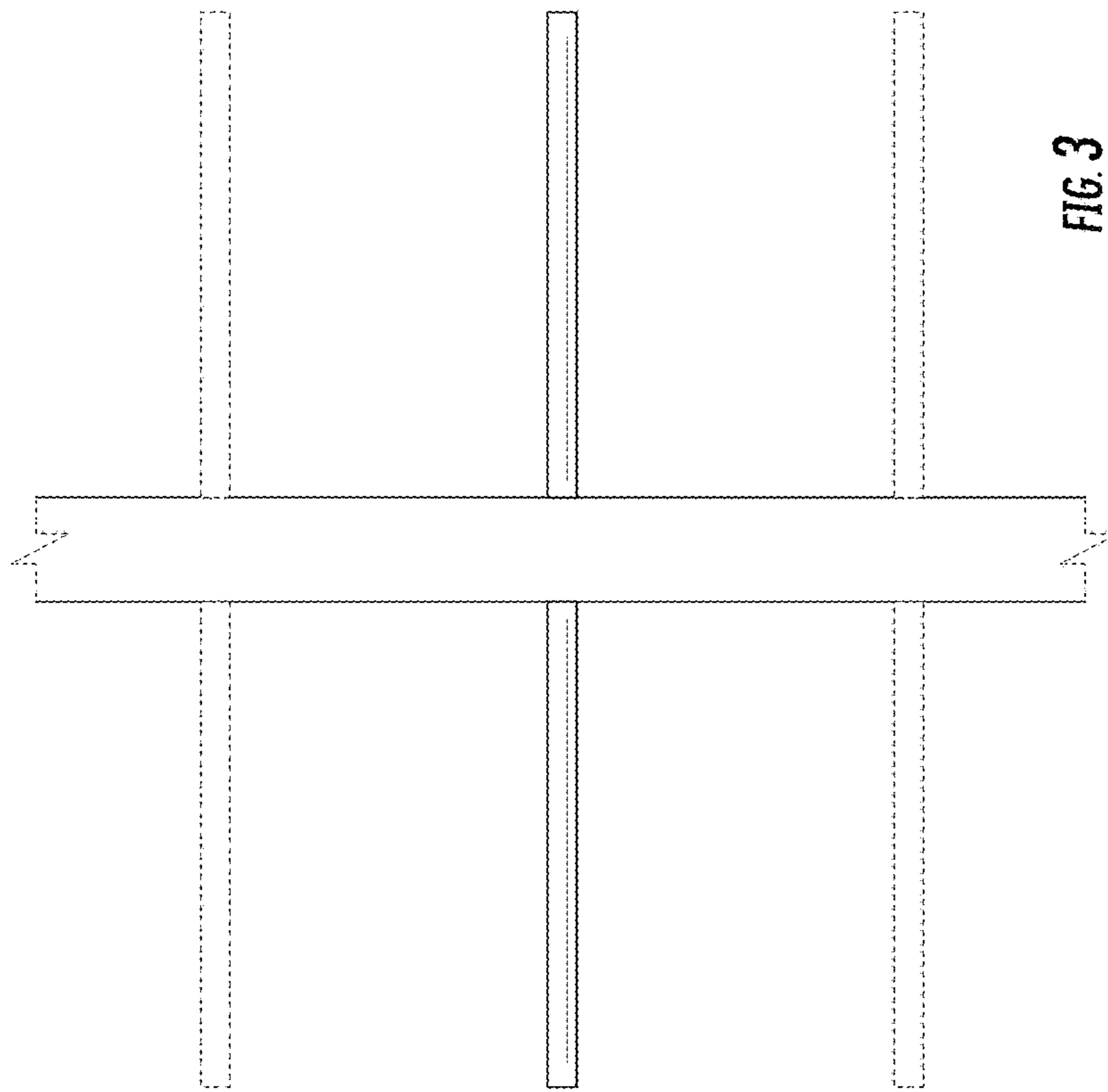
In the Figures the dash-dash broken lines are for the purpose of illustrating environment and form no part of the claimed design.

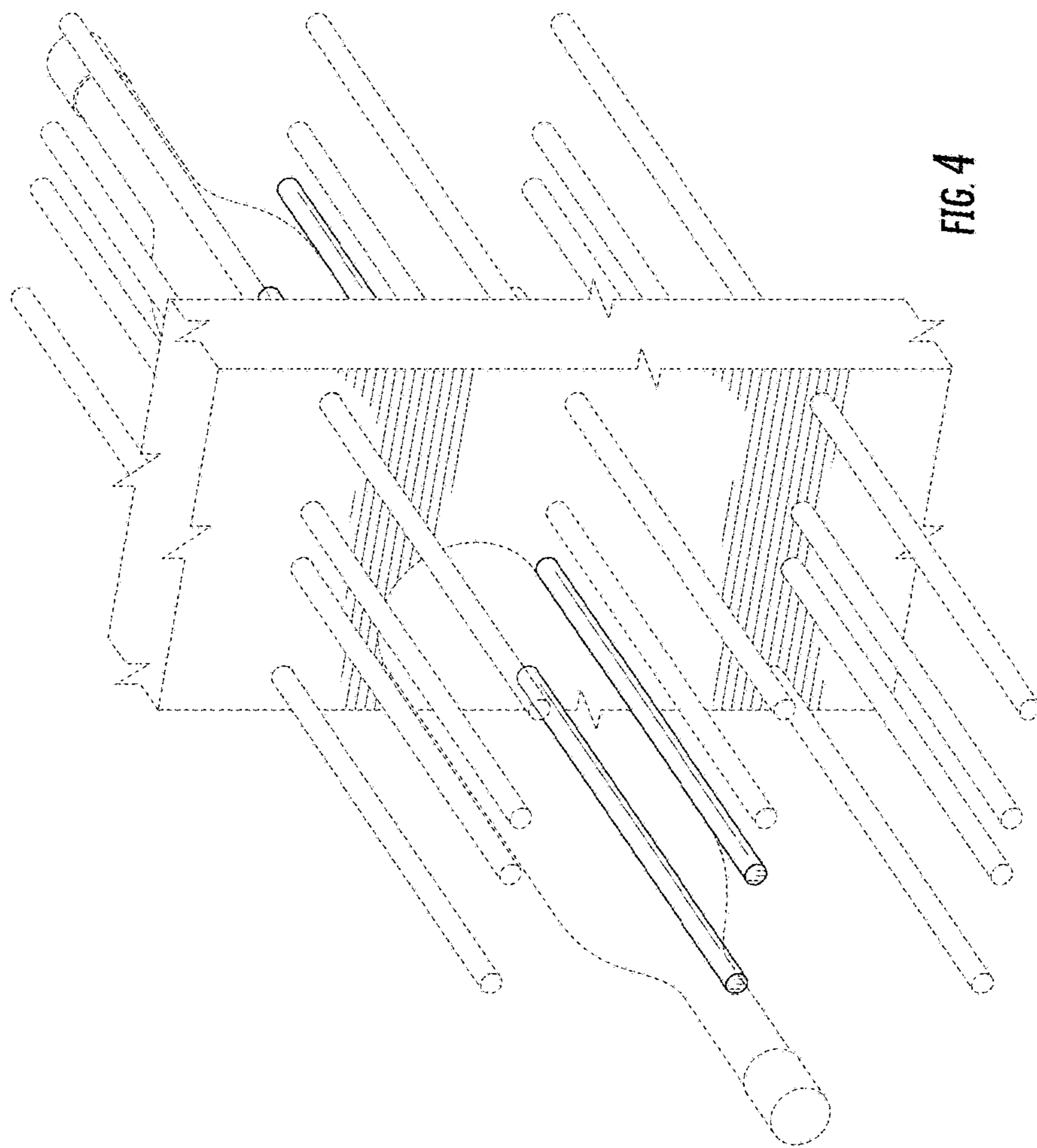
1 Claim, 20 Drawing Sheets

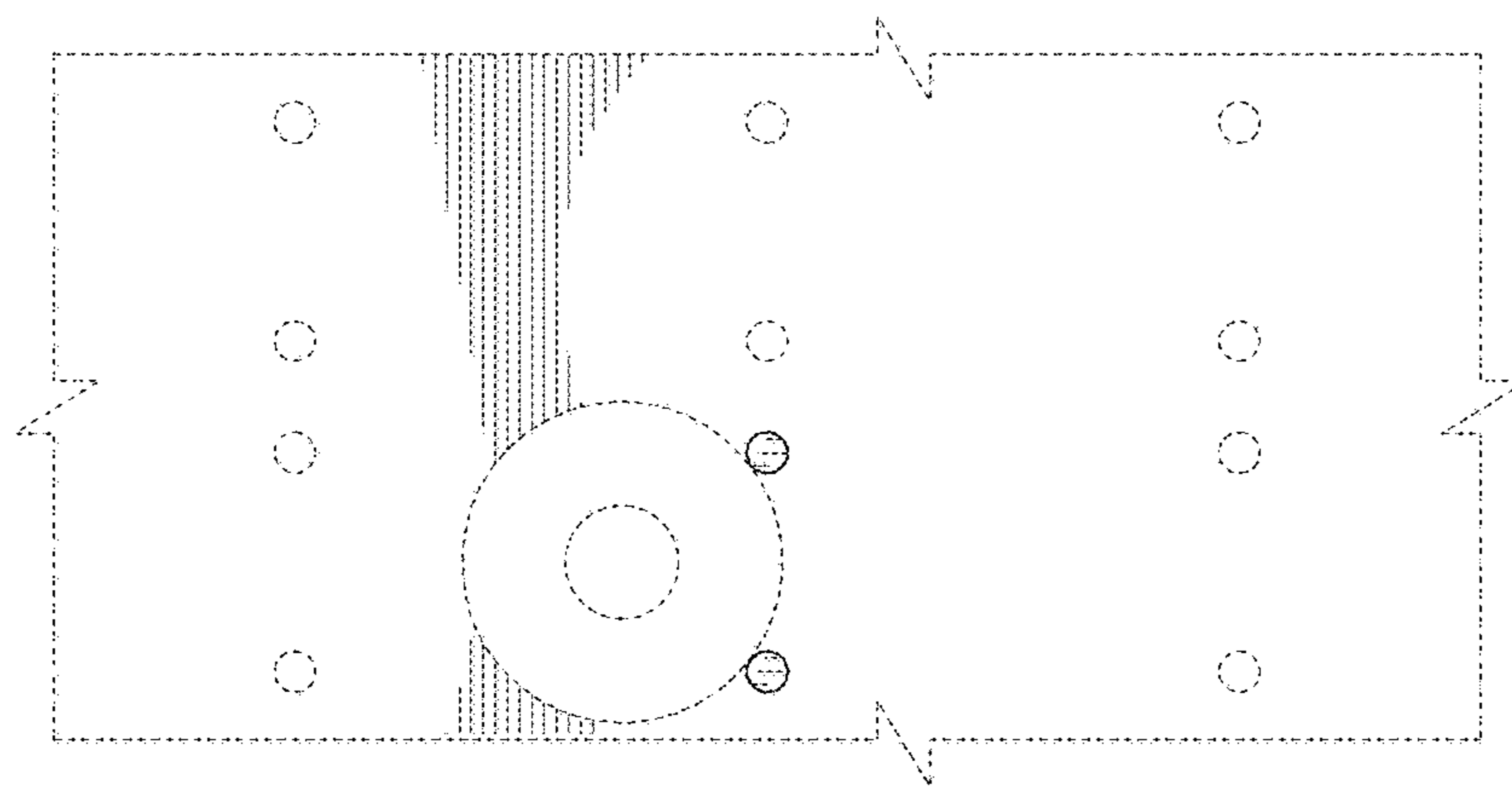












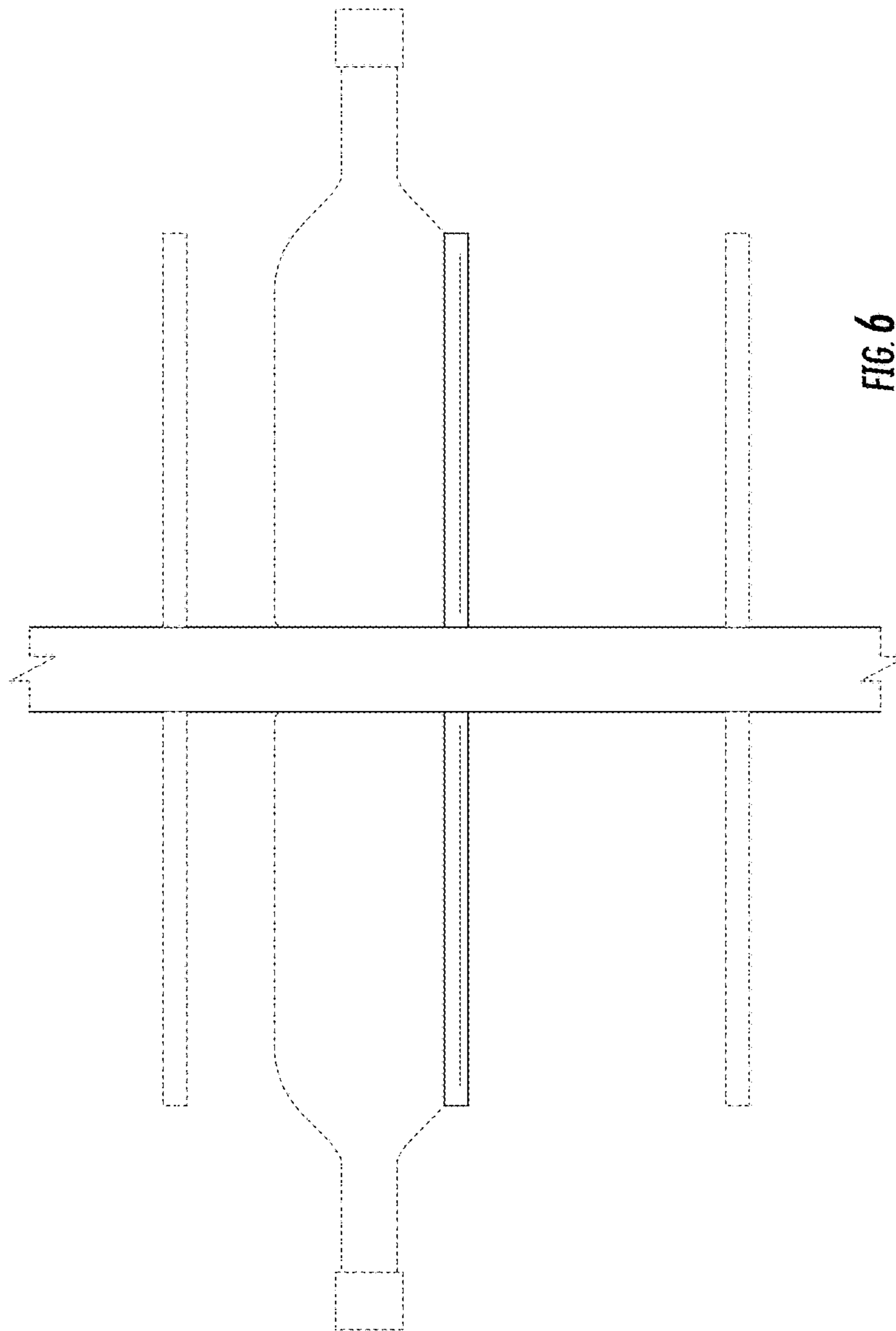
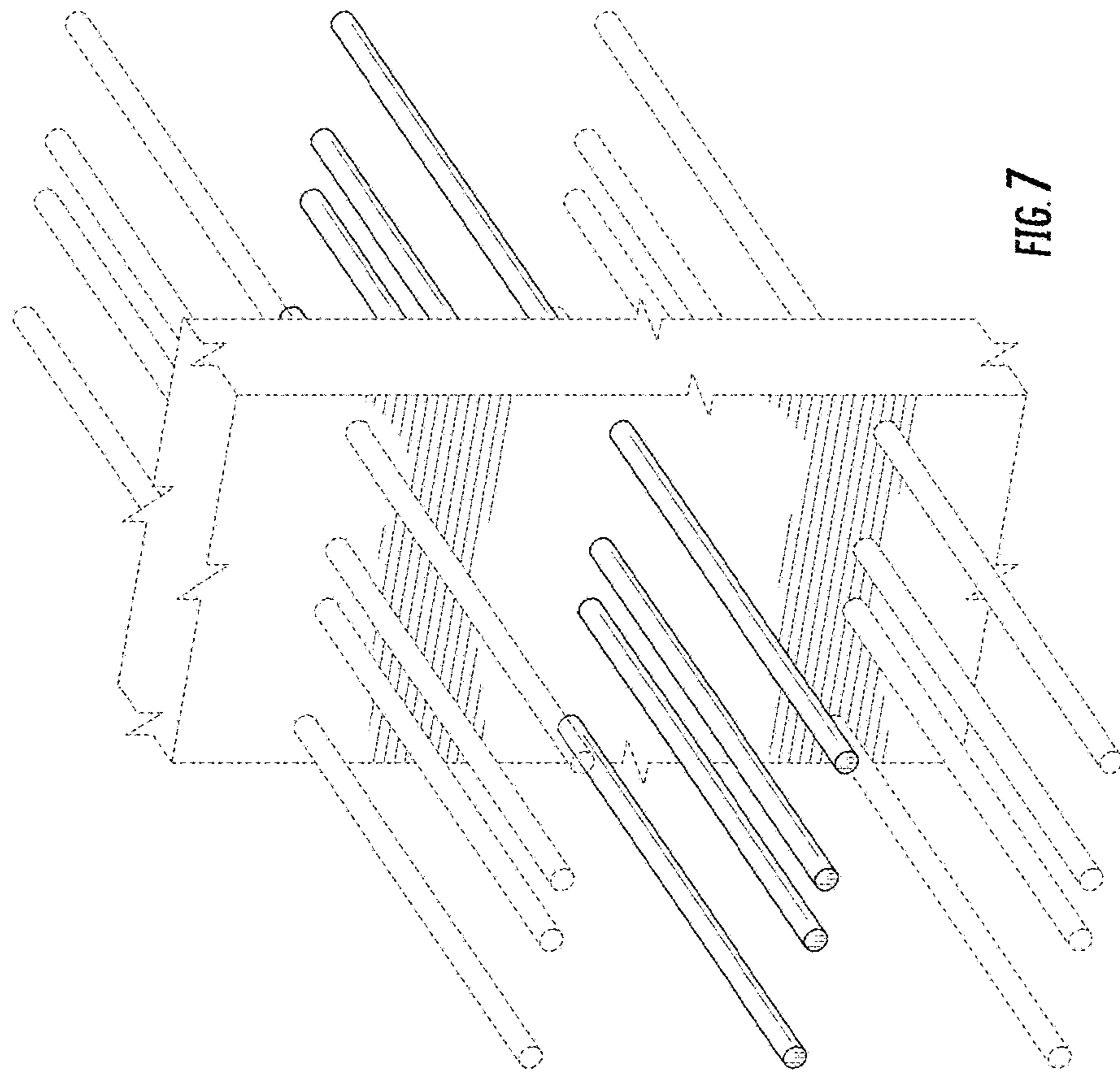


FIG. 6



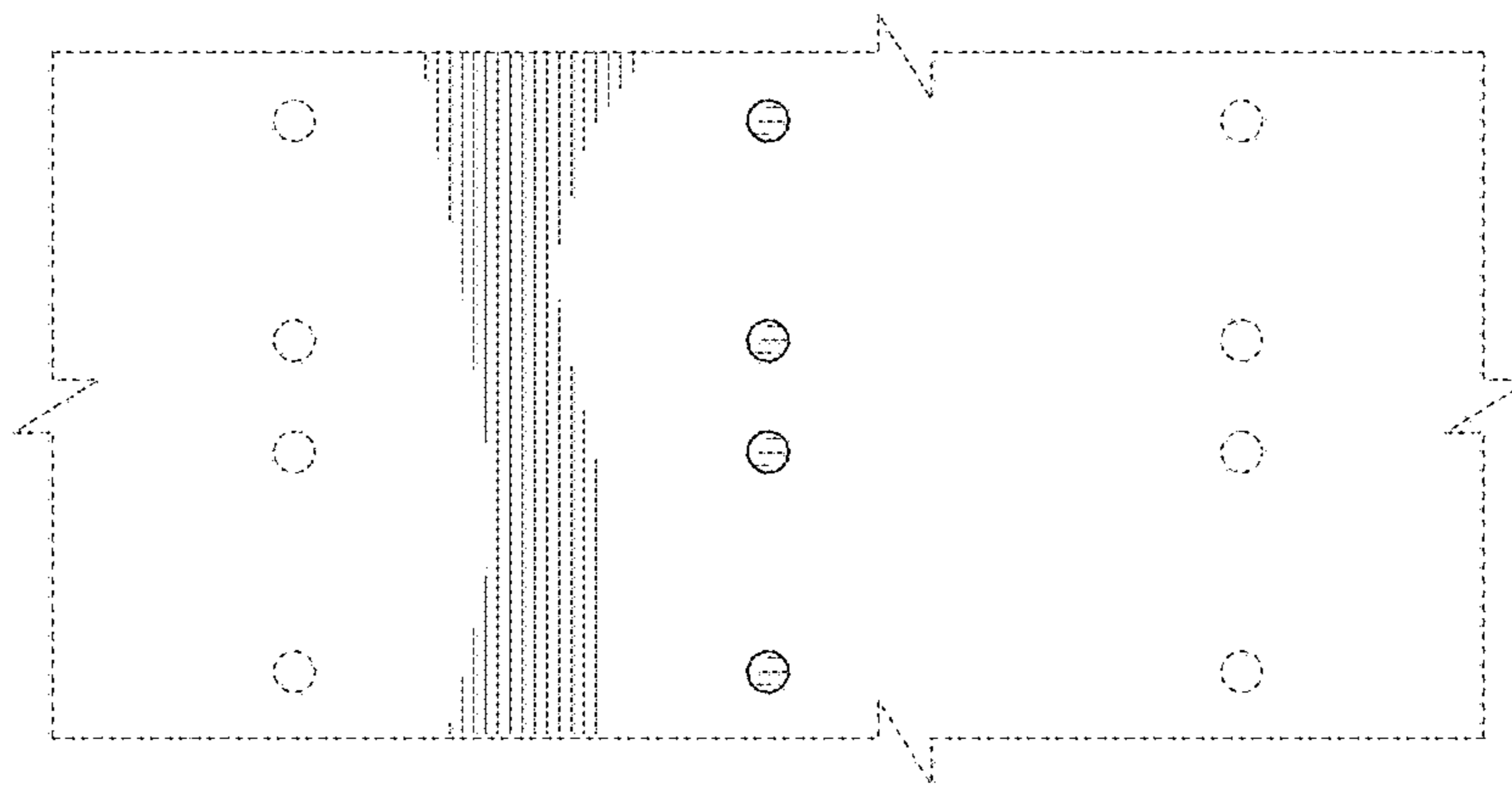


FIG. 8

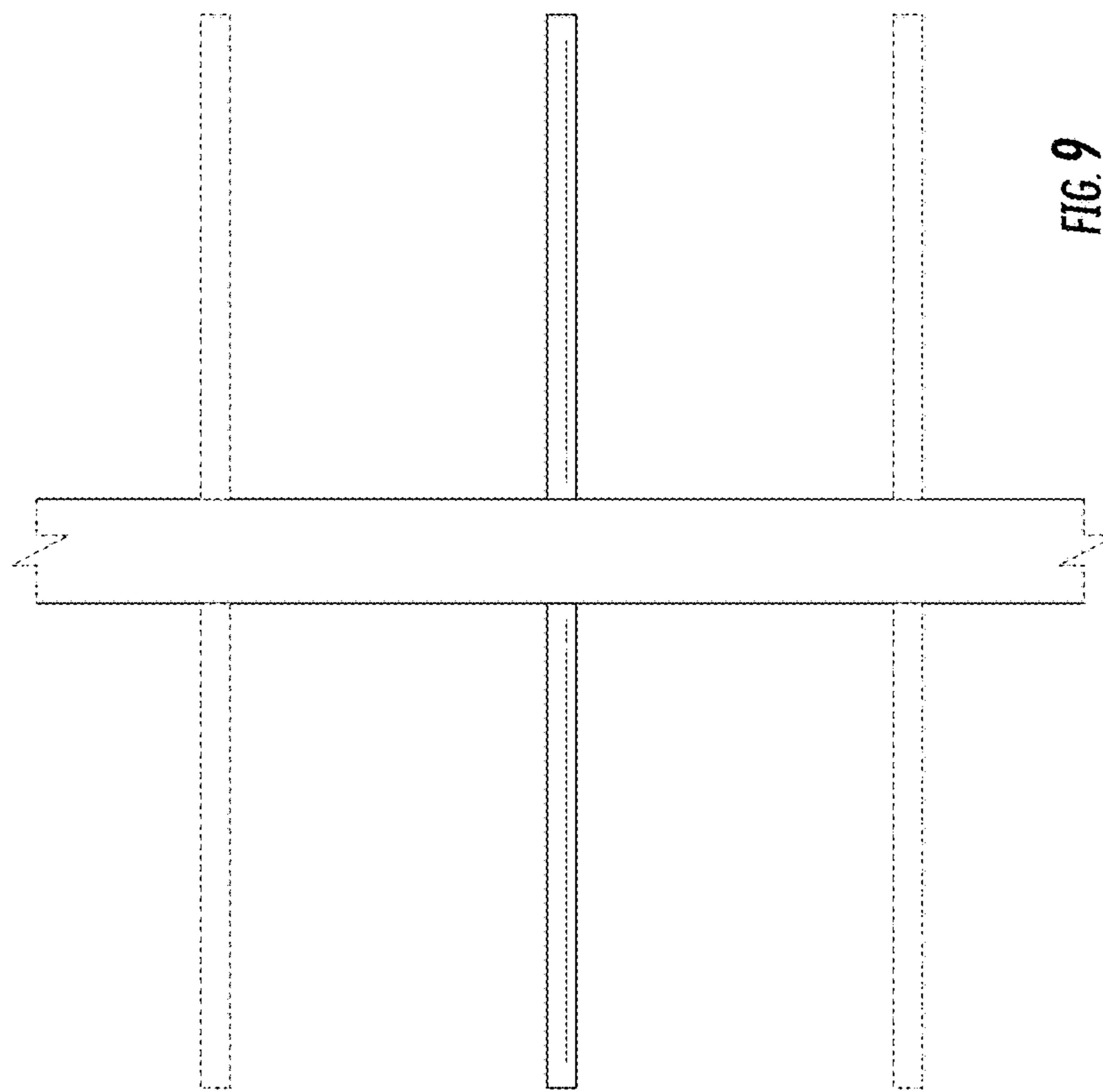


FIG. 9

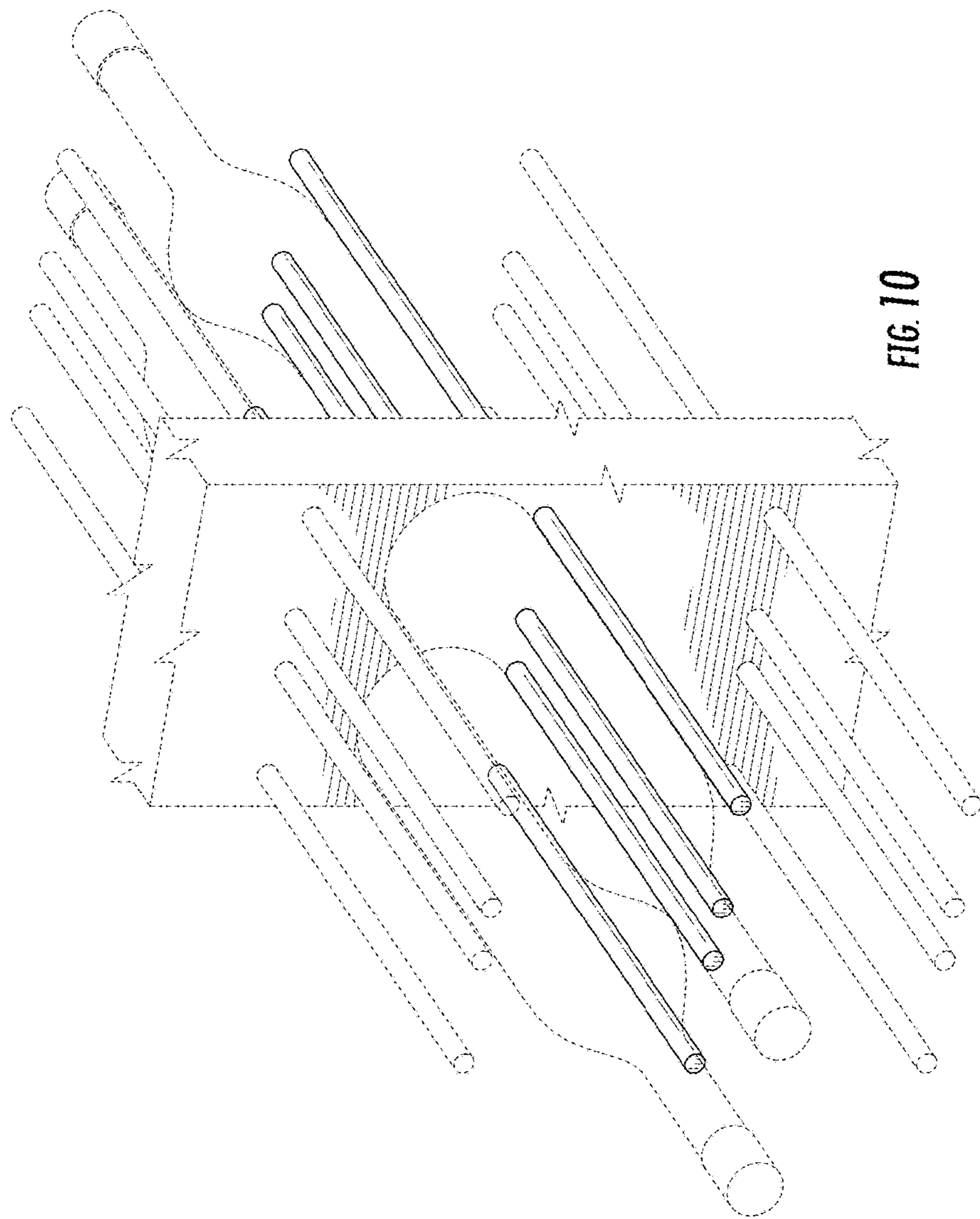


FIG. 10

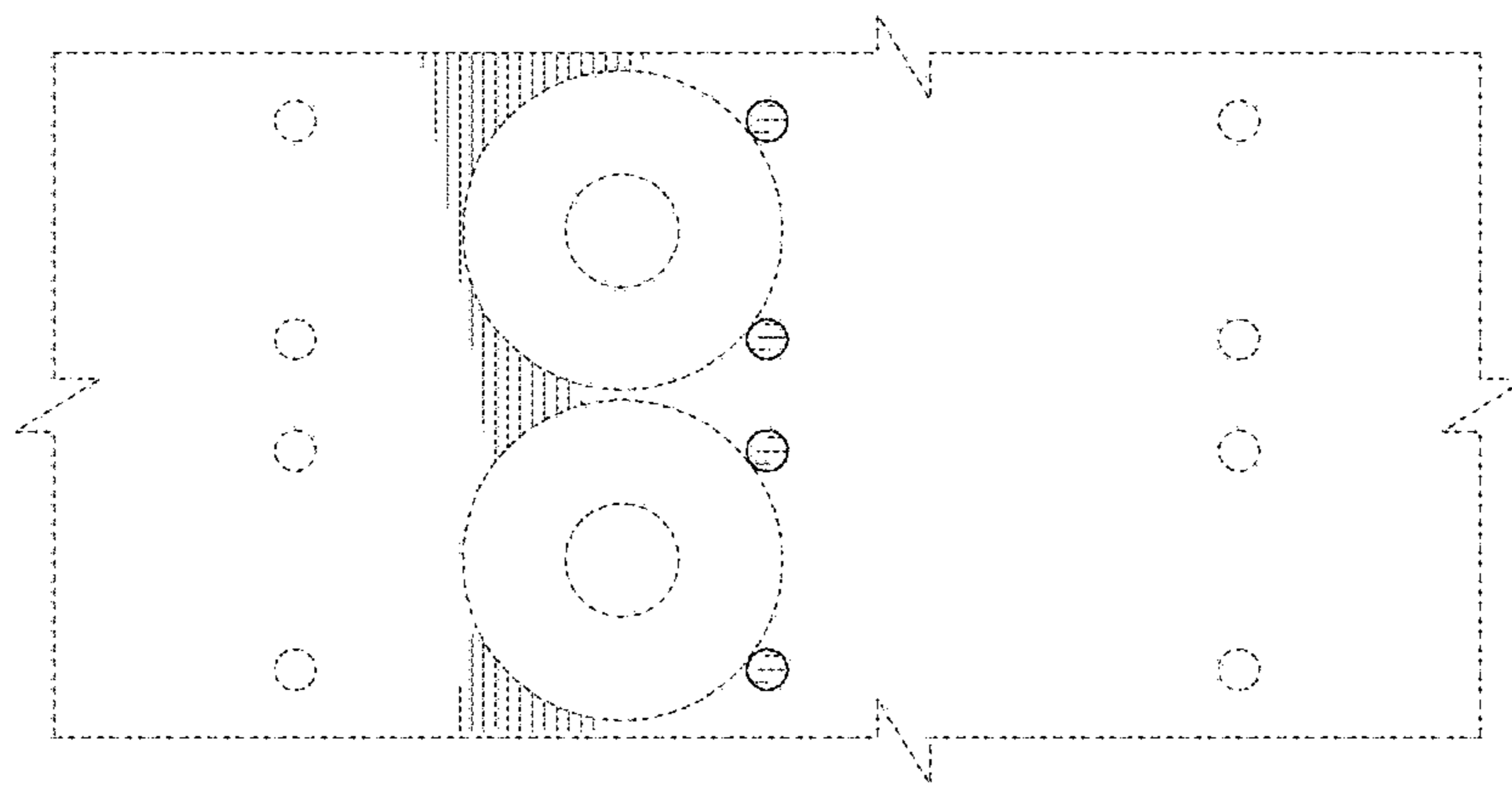


FIG. 11

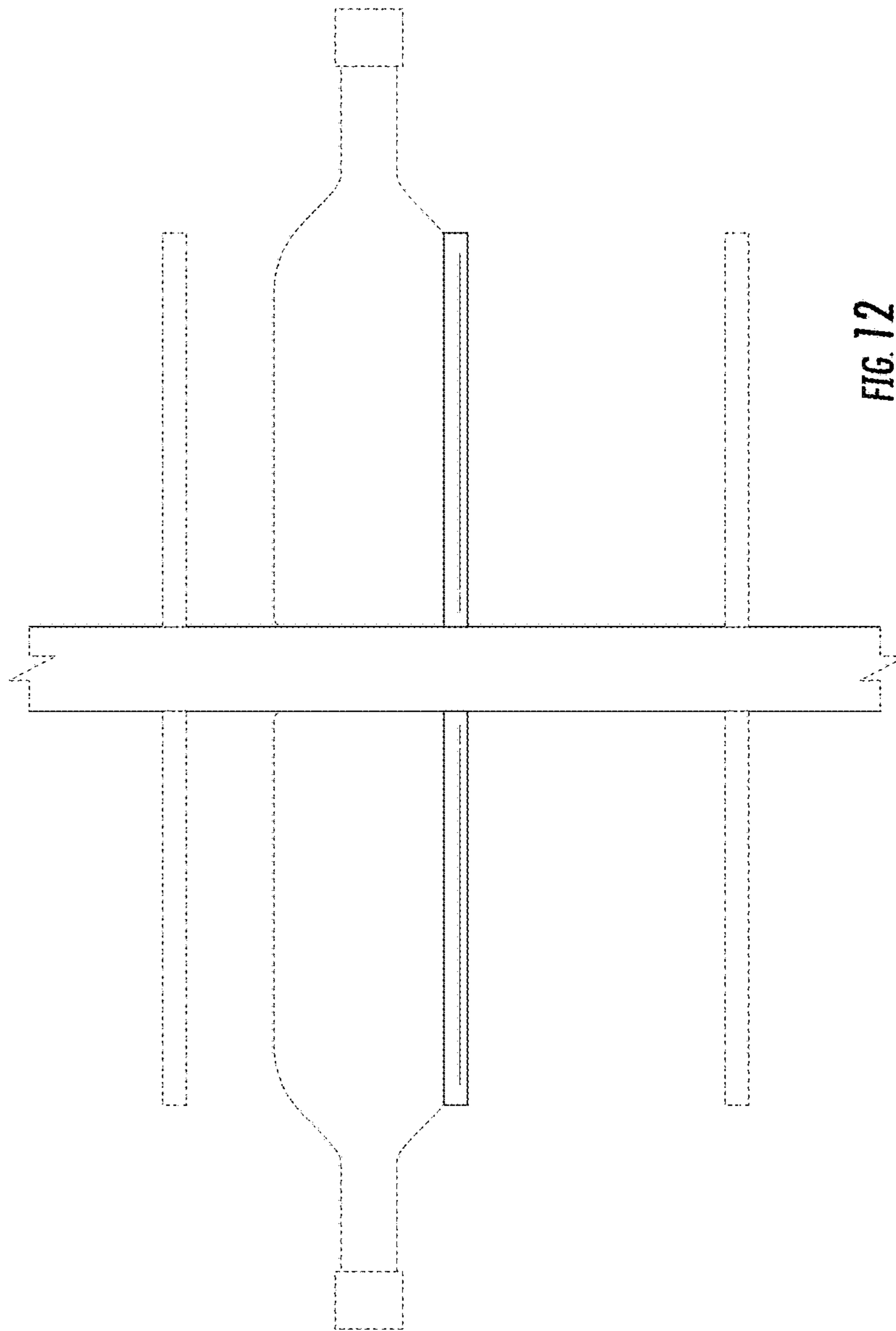


FIG. 12

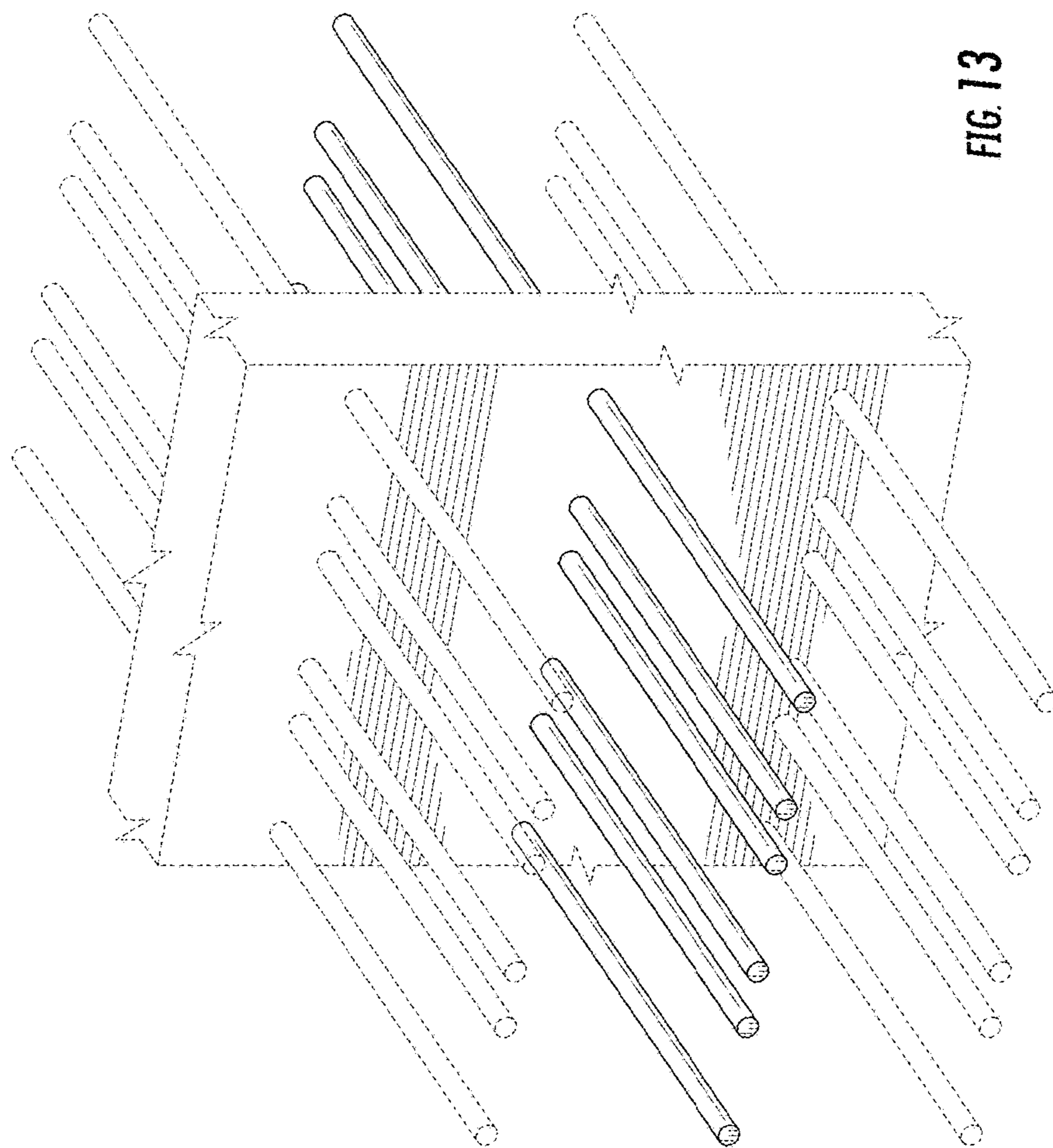


FIG. 13

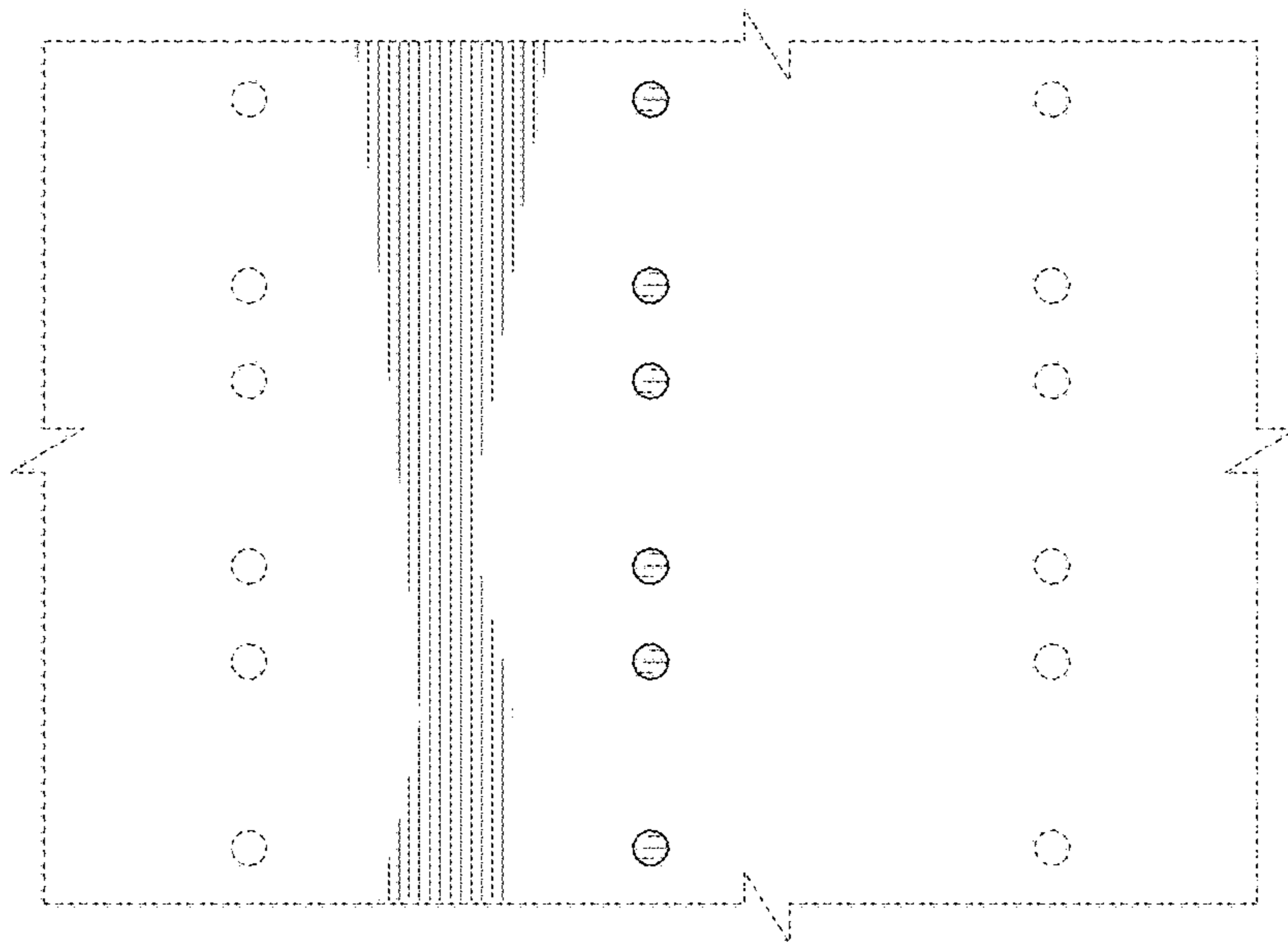
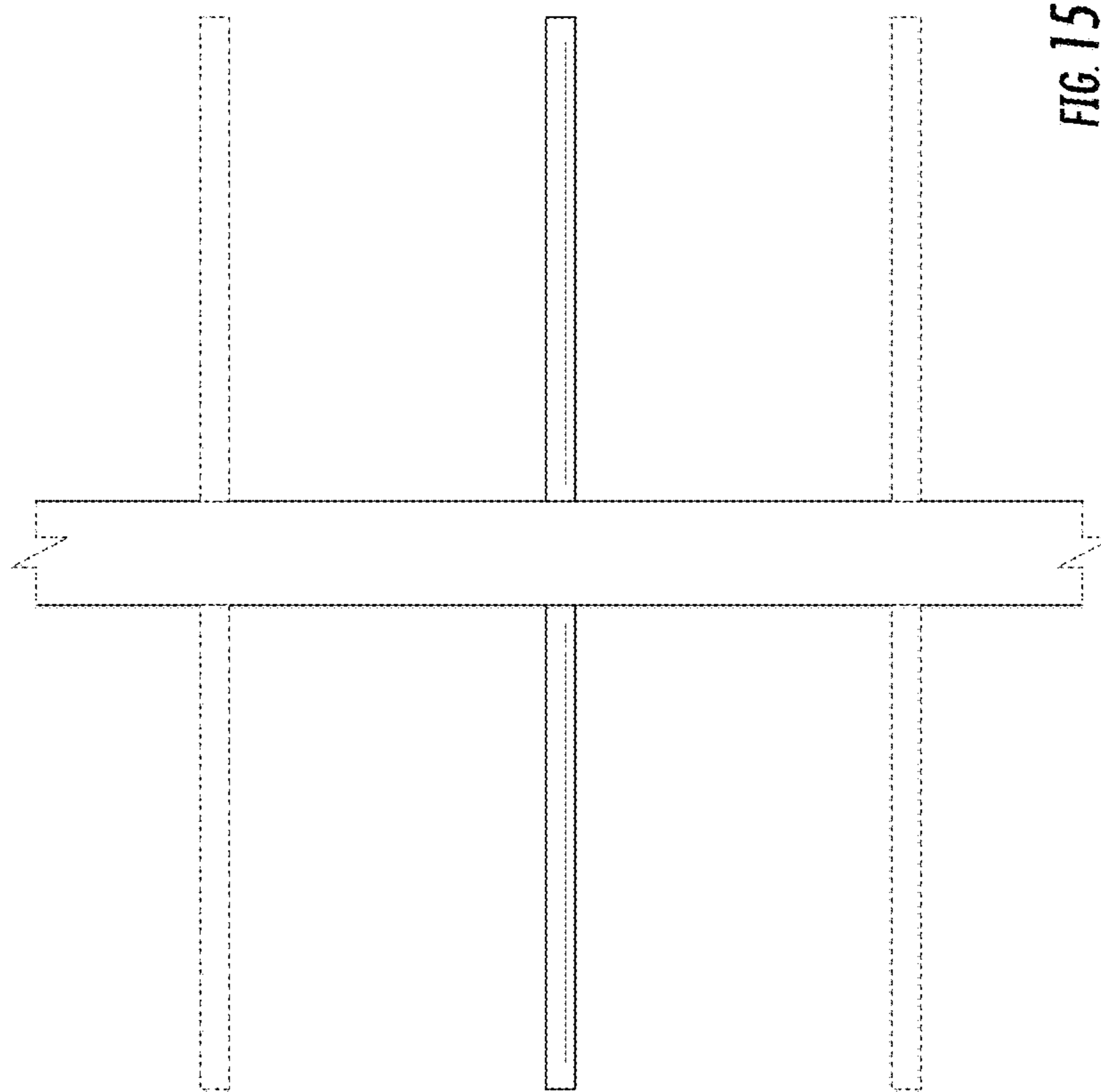


FIG. 14



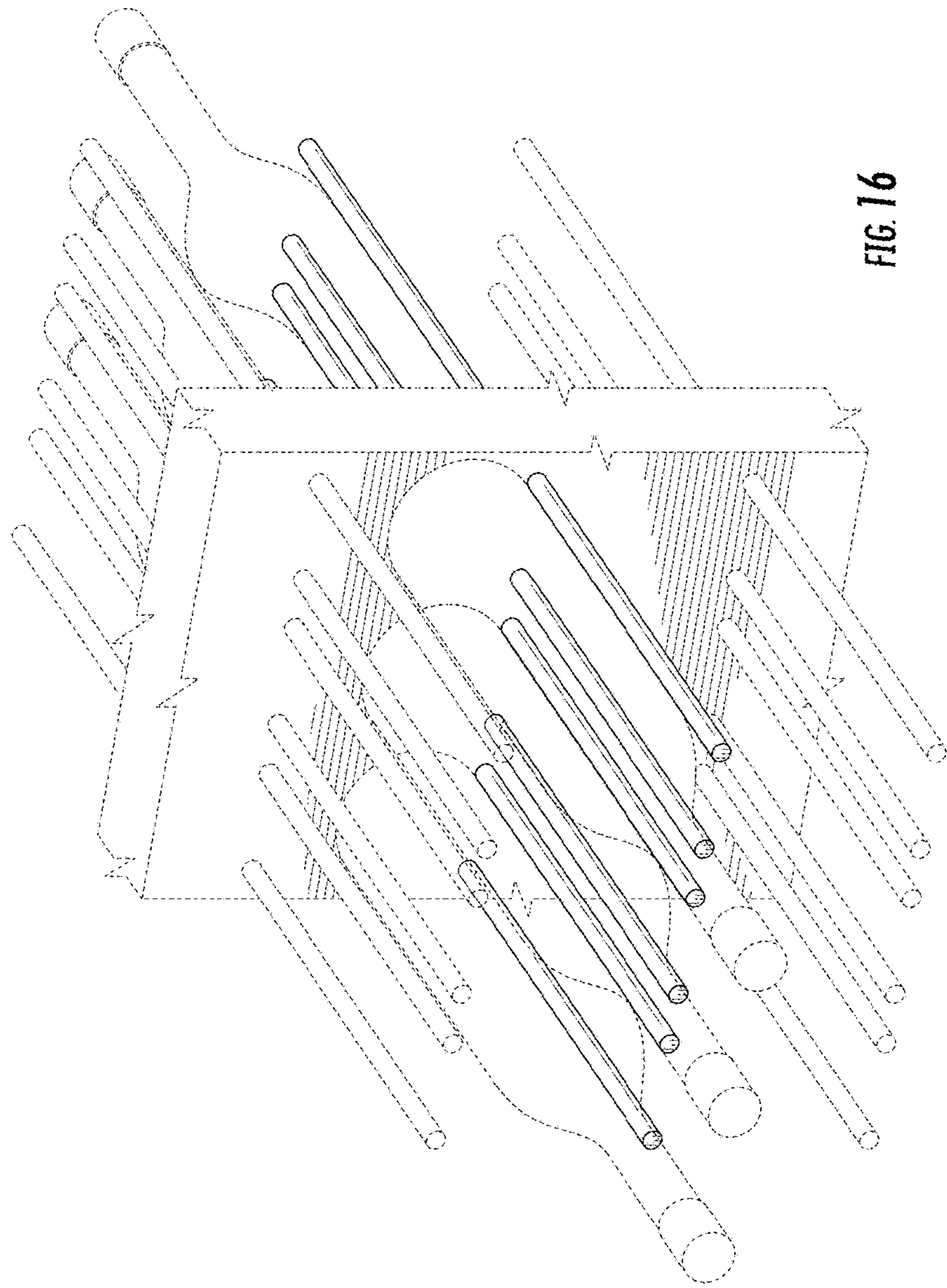


FIG. 16

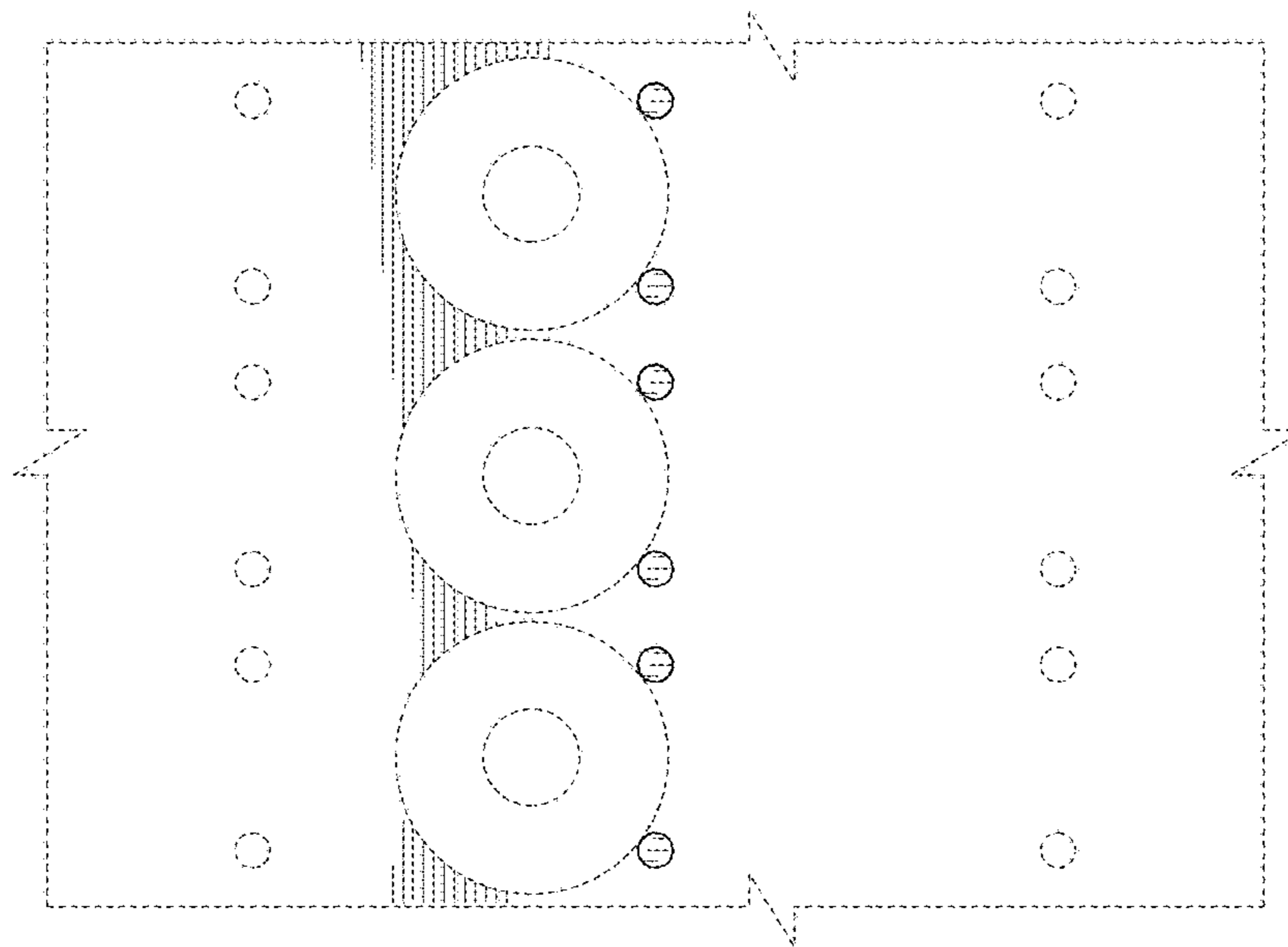


FIG. 17

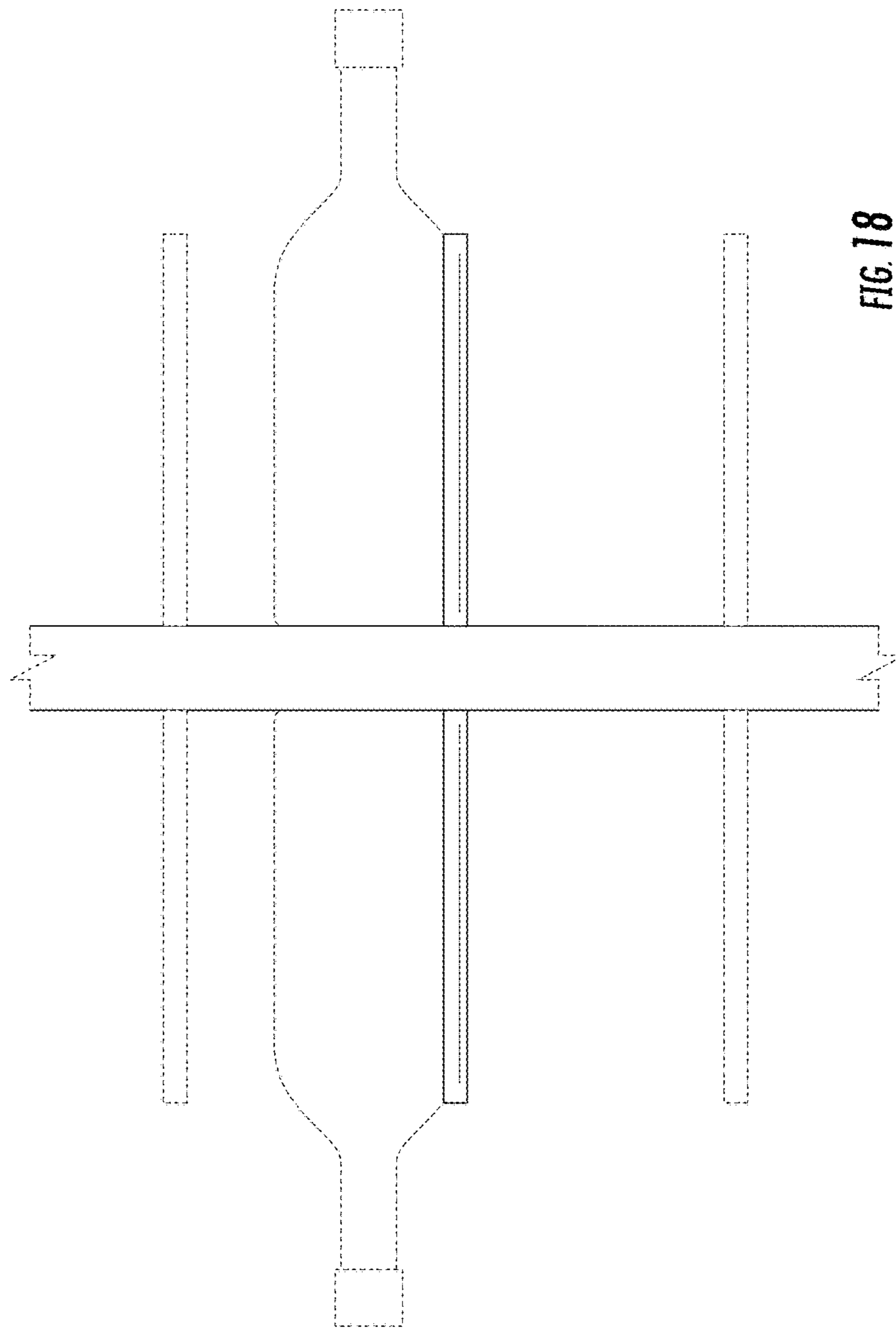


FIG. 18

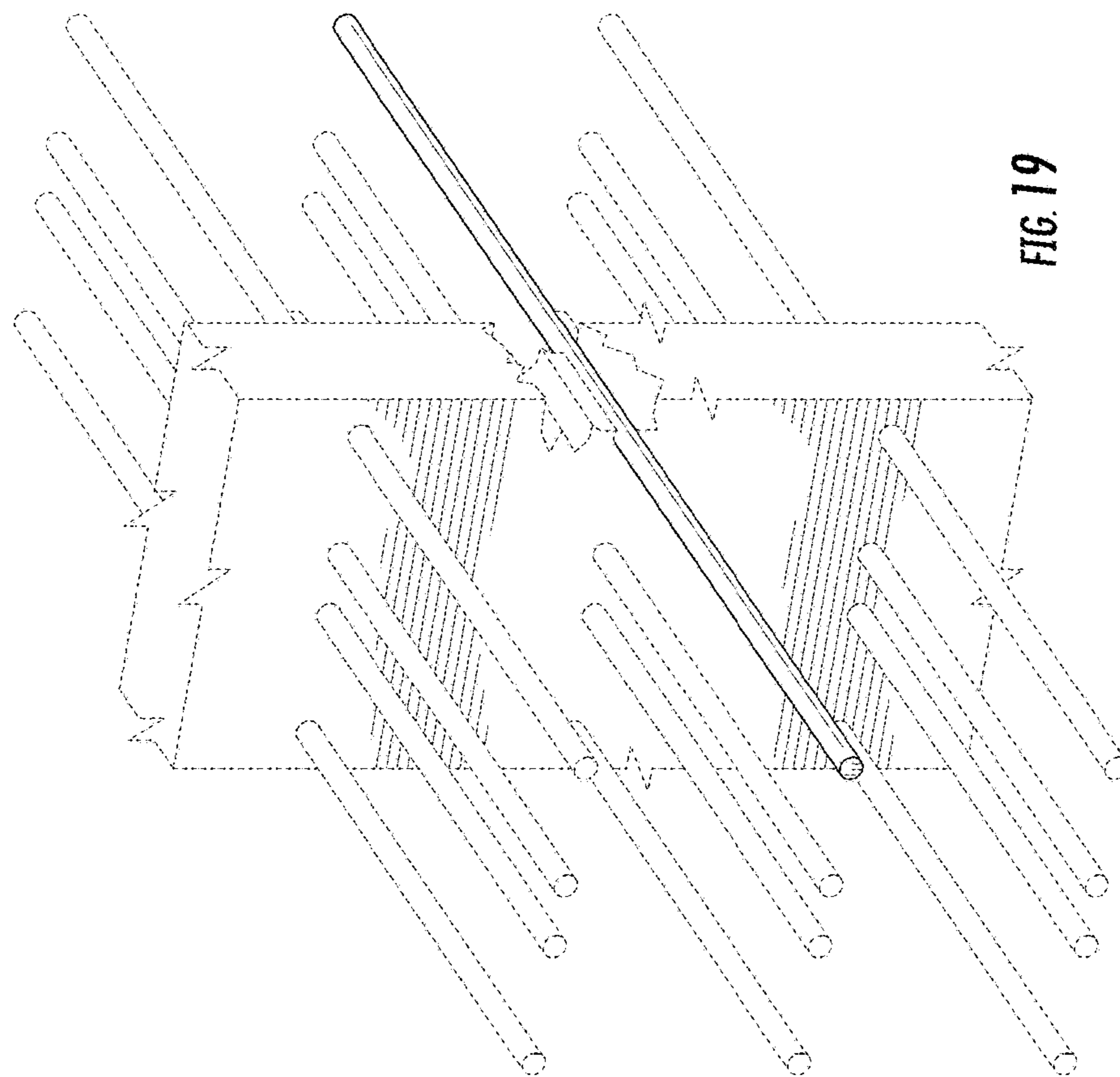


FIG. 19

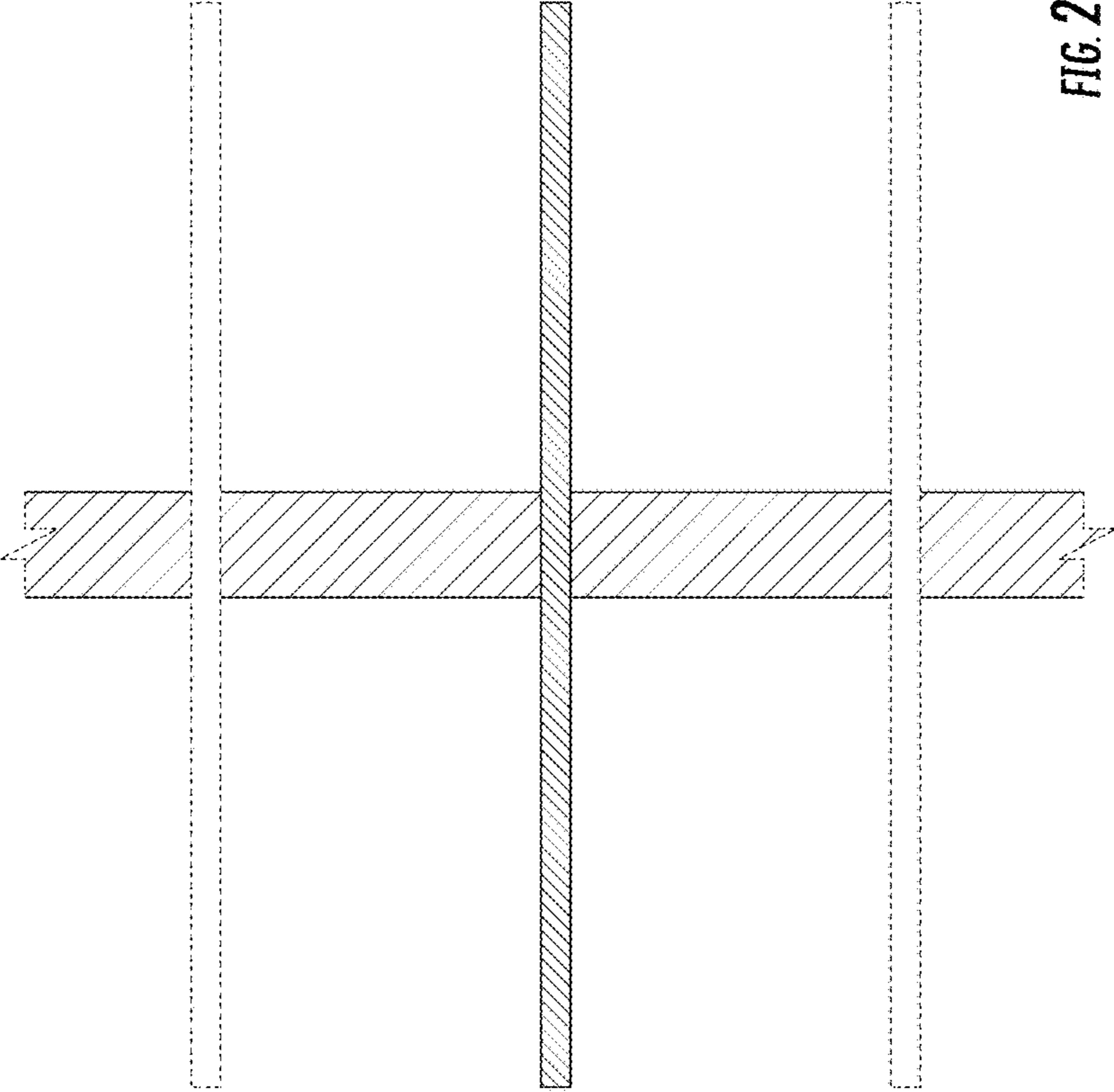


FIG. 20