



US00D838558S

(12) **United States Design Patent** (10) **Patent No.:** **US D838,558 S**
Huynh (45) **Date of Patent:** **** Jan. 22, 2019**

(54) **TRAY FOR MAKING AND SERVING ROLLED FOODS**

D651,449 S * 1/2012 Pallotto D7/669
D651,450 S * 1/2012 Pallotto D7/368
D703,551 S * 4/2014 Kirchmayr D9/424
D734,146 S * 7/2015 Fischer D9/424
D734,170 S * 7/2015 Harper D9/756

(71) Applicant: **Vinh Phuoc Huynh**, Norcross, GA (US)

(Continued)

(72) Inventor: **Vinh Phuoc Huynh**, Norcross, GA (US)

FOREIGN PATENT DOCUMENTS

(**) Term: **15 Years**

CA 108527 * 9/2004

(21) Appl. No.: **29/604,546**

OTHER PUBLICATIONS

(22) Filed: **May 18, 2017**

Bar Board—Wood Cutting Board with Tomato Recess. Online, published date unknown. Retrieved on Jan. 16, 2018 from URL: <http://gifts.mikeswoodwork.net/2009/09/bar-board-wood-cutting-board-with.html>.*

Related U.S. Application Data

(63) Continuation-in-part of application No. 29/595,492, filed on Feb. 28, 2017, now Pat. No. Des. 820,653.

Primary Examiner — Karen S Acker

(51) **LOC (11) Cl.** **07-04**

Assistant Examiner — Omeed Agilee

(52) **U.S. Cl.**

(74) *Attorney, Agent, or Firm* — Miller & Martin PLLC

USPC **D7/669**

(58) **Field of Classification Search**

(57) **CLAIM**

USPC D7/543, 549, 550.1, 586, 669, 698–699, D7/368, 587; D32/55–57

The ornamental design for a tray for making and serving rolled foods, as shown and described.

CPC A47J 47/00; A47J 47/005; A47J 47/20; B23D 21/00; B26D 7/0006; B26D 7/018; B26D 7/20

DESCRIPTION

See application file for complete search history.

FIG. 1 is a top isometric view of the tray for making and serving rolled foods;

(56) **References Cited**

U.S. PATENT DOCUMENTS

D154,907 S * 8/1949 Clark D32/56
3,736,088 A * 5/1973 Jimenez A21B 3/00
118/506
D363,196 S * 10/1995 Kristiansen D7/553.3
D374,380 S * 10/1996 Sawatsky D7/698
D419,738 S * 1/2000 France D32/57
D424,941 S * 5/2000 Boutour D9/456
D472,104 S * 3/2003 Jørgensen D7/590
D507,451 S * 7/2005 Land D7/357
D518,330 S * 4/2006 Doran D7/357
D527,674 S * 9/2006 Biglarians D11/131.1

FIG. 2 is a bottom isometric view thereof;

FIG. 3 is a top plan view thereof;

FIG. 4 is a bottom plan view thereof;

FIG. 5 is a left side elevational view thereof;

FIG. 6 is a right side elevational view thereof;

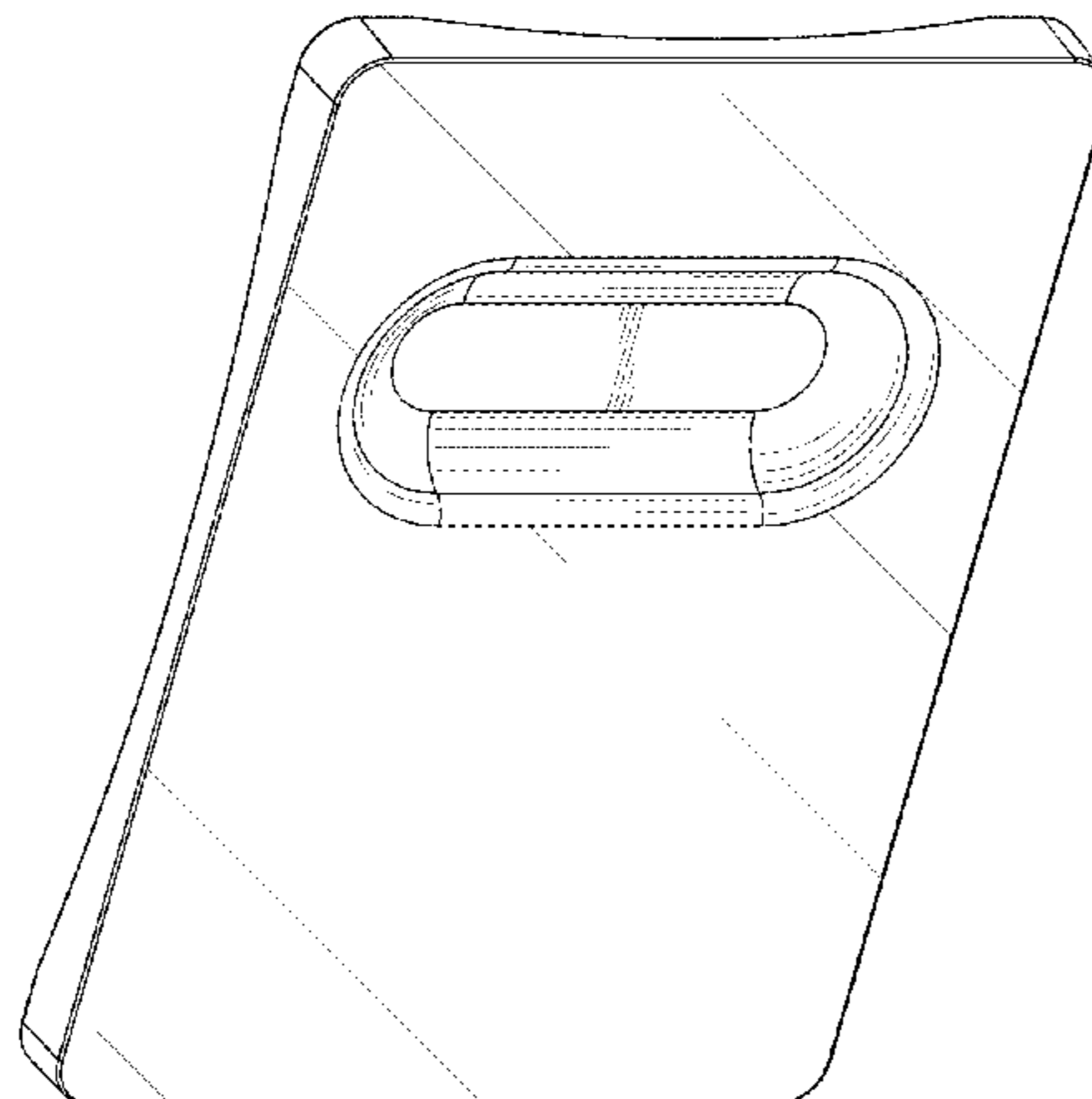
FIG. 7 is a cross-sectional view thereof, taken along line 7-7 in FIG. 3;

FIG. 8 is a front elevational view thereof; and,

FIG. 9 is a rear elevational view thereof.

The diagonal shade lines in the drawings denote that the surfaces of the tray for making and serving rolled foods are reflective.

1 Claim, 6 Drawing Sheets



(56)

References Cited

U.S. PATENT DOCUMENTS

D749,380 S *	2/2016	Choi	D7/701
D755,589 S *	5/2016	Keating	D7/698
D775,889 S *	1/2017	Burns	D7/368
D793,823 S *	8/2017	Wu	D7/698
D801,169 S *	10/2017	Mack	D9/415
D804,542 S *	12/2017	Davison, III	D15/90

* cited by examiner

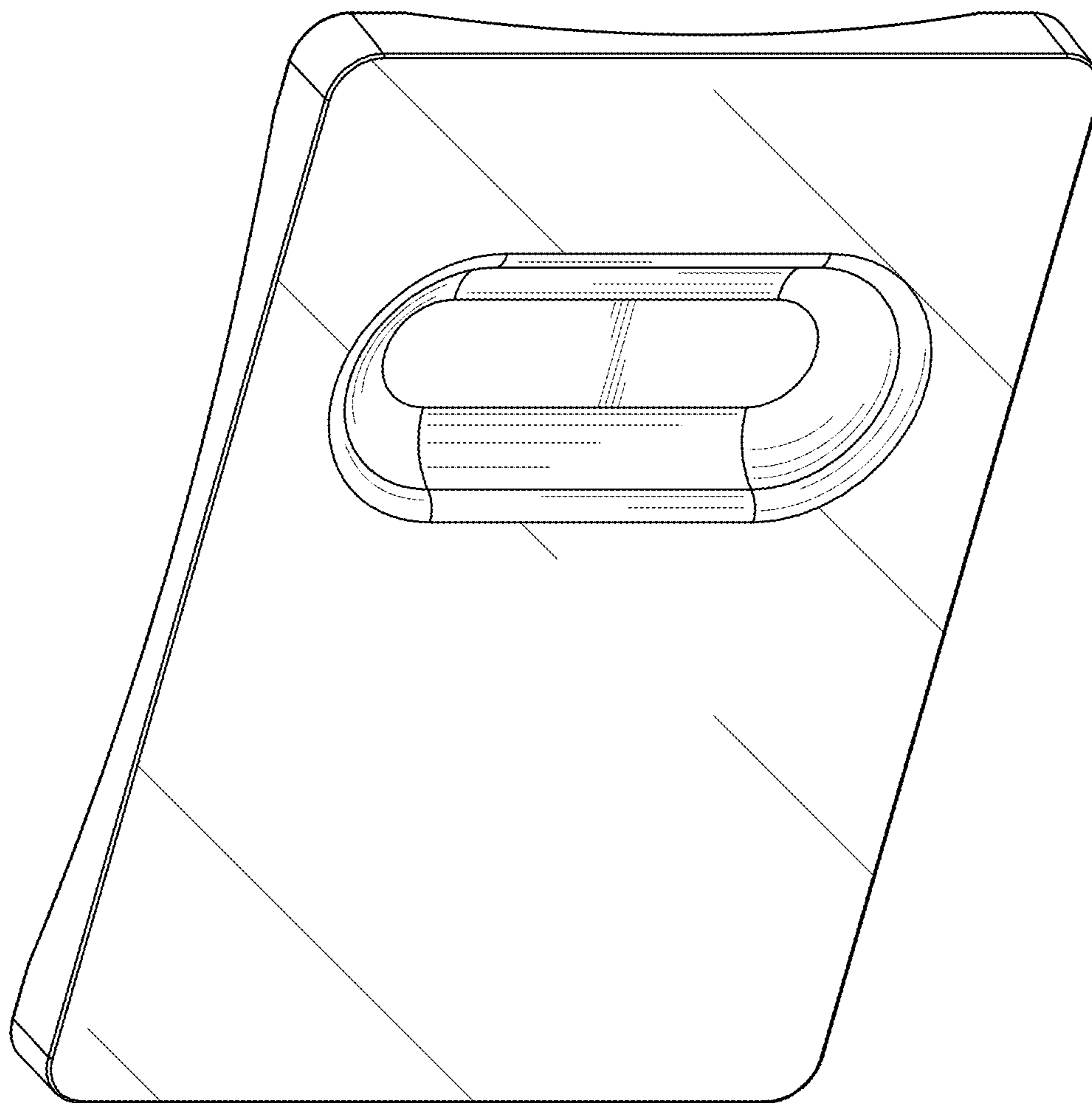


FIG. 1

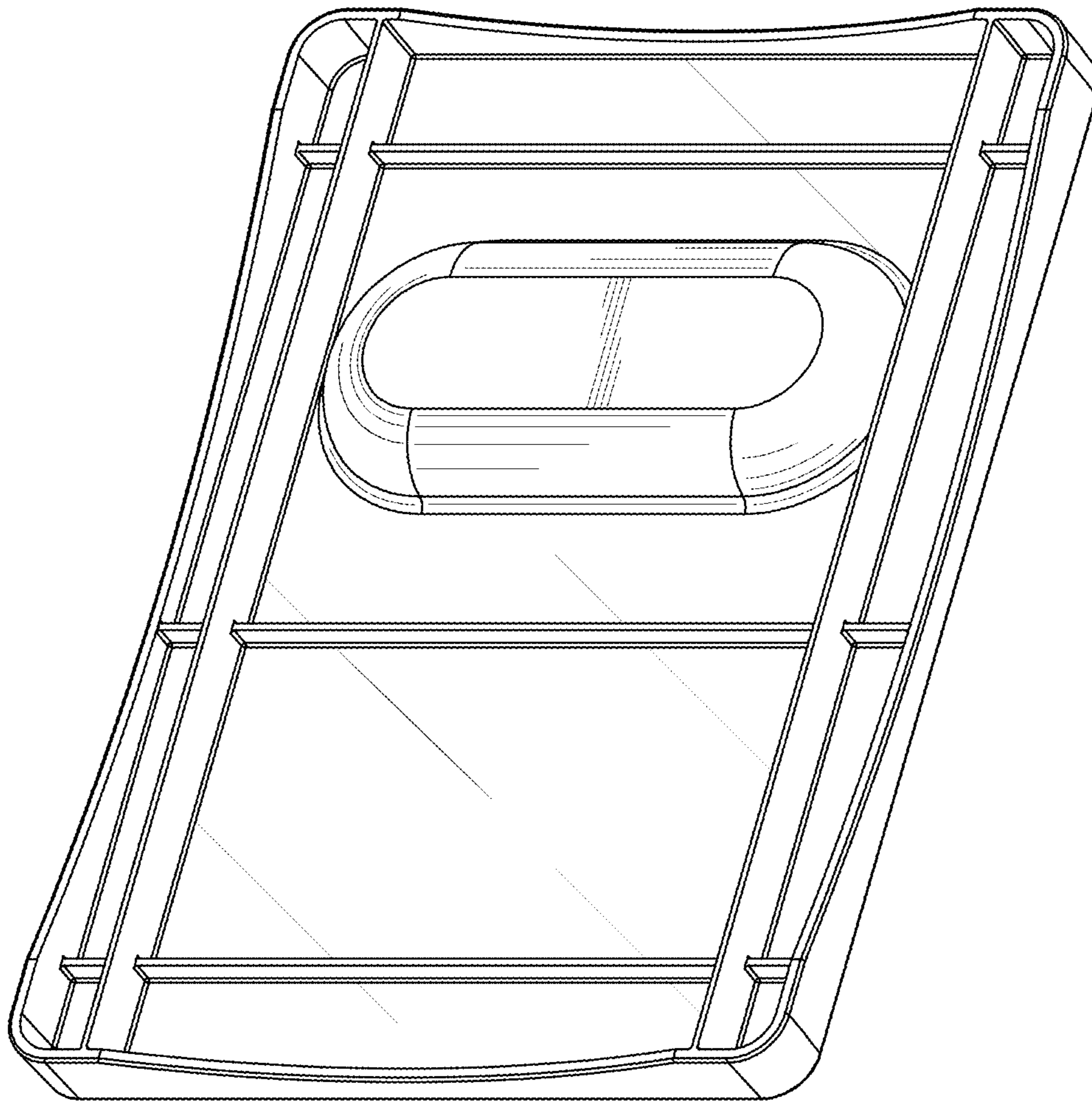


FIG. 2

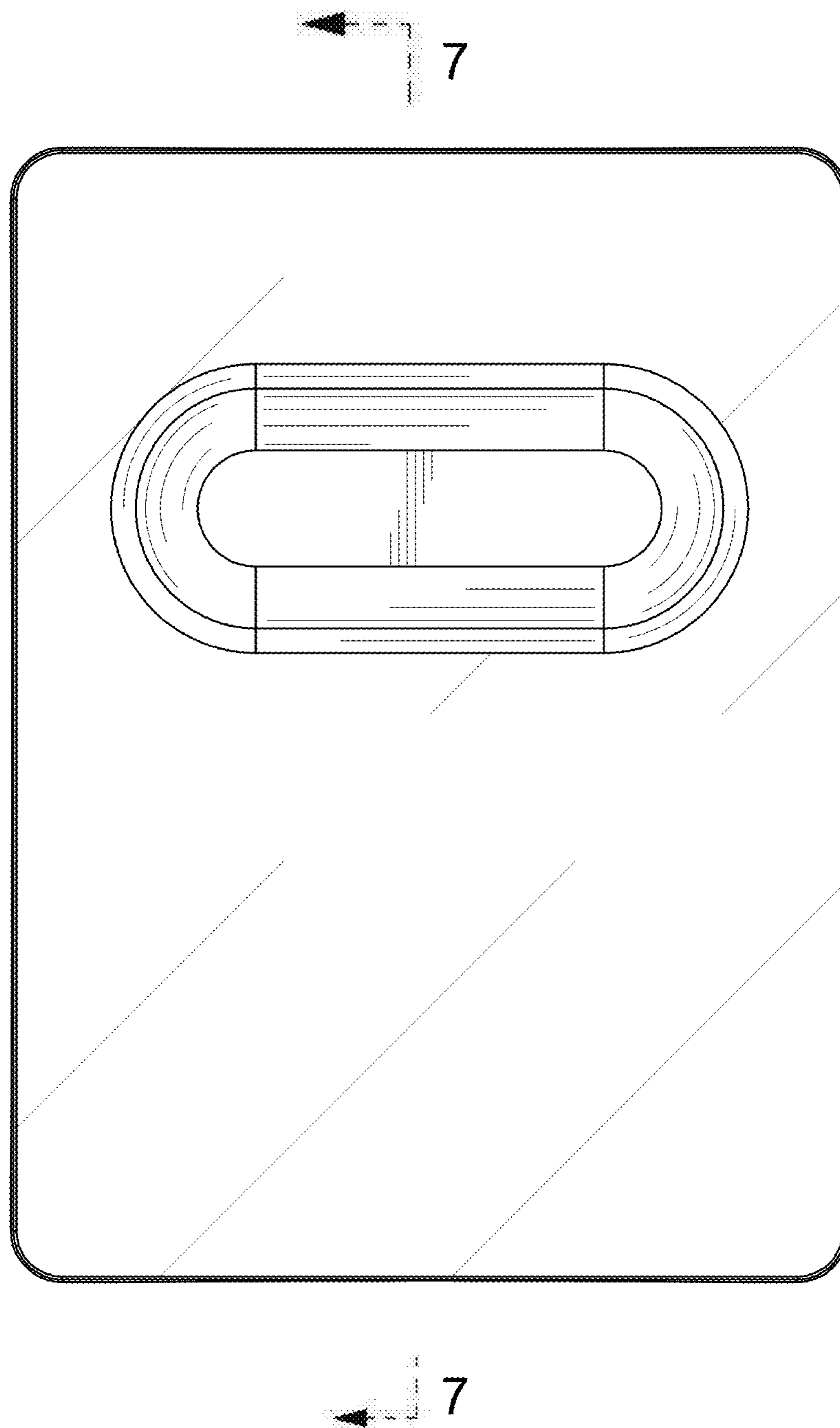


FIG. 3

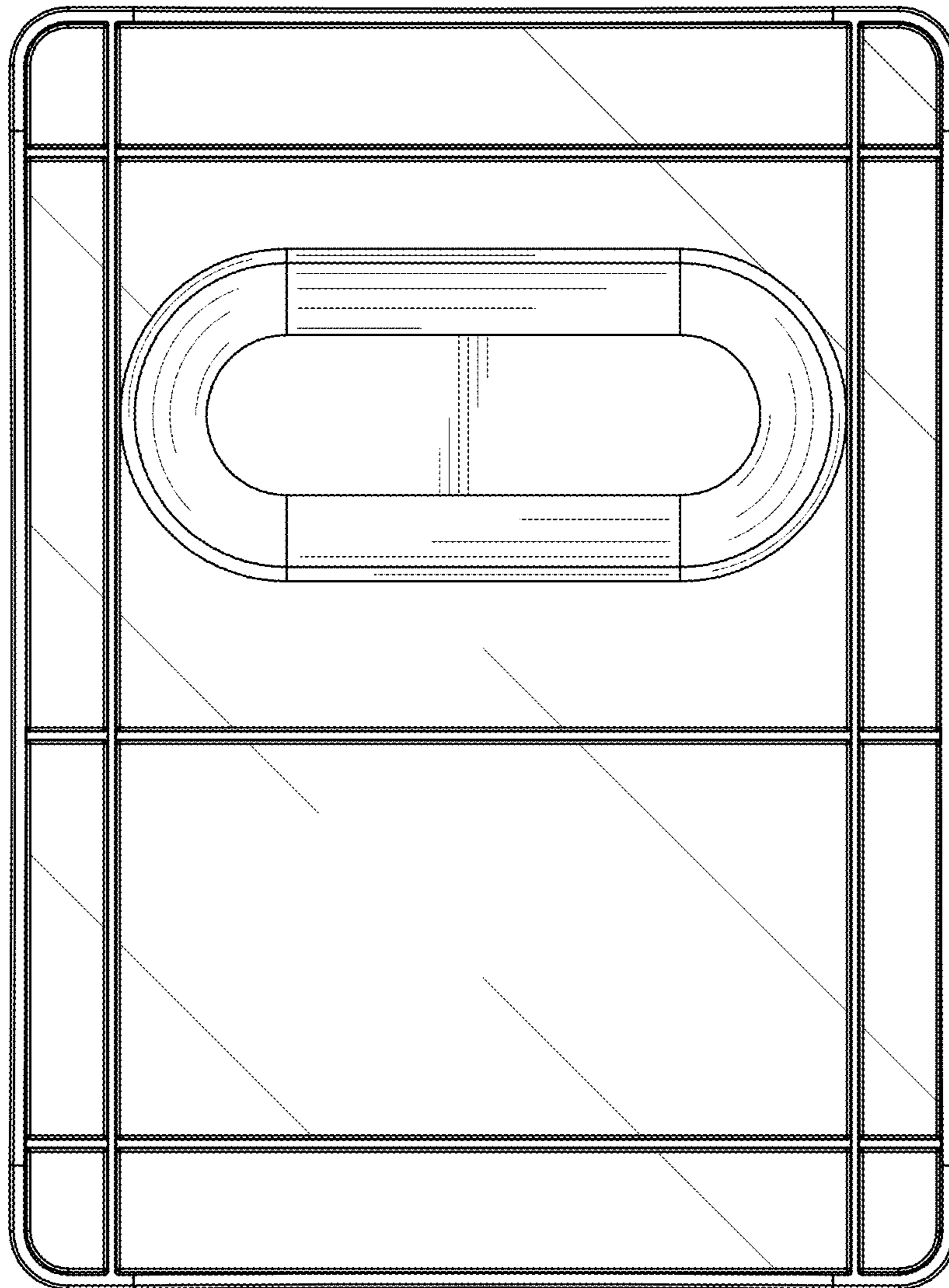


FIG. 4

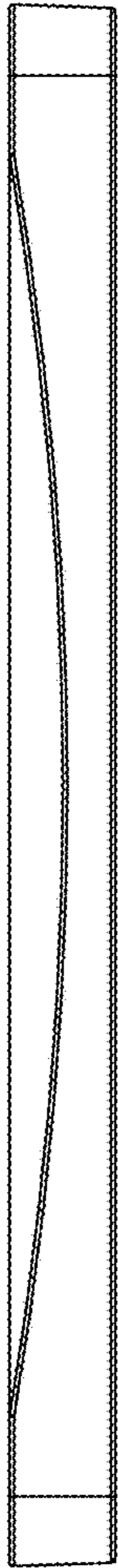


FIG. 5

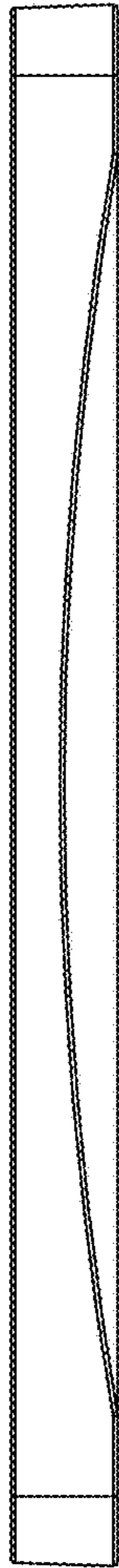


FIG. 6

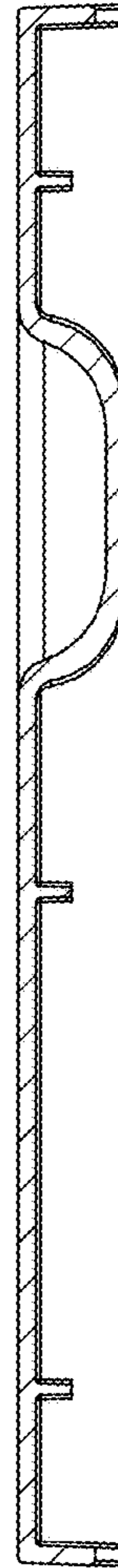


FIG. 7

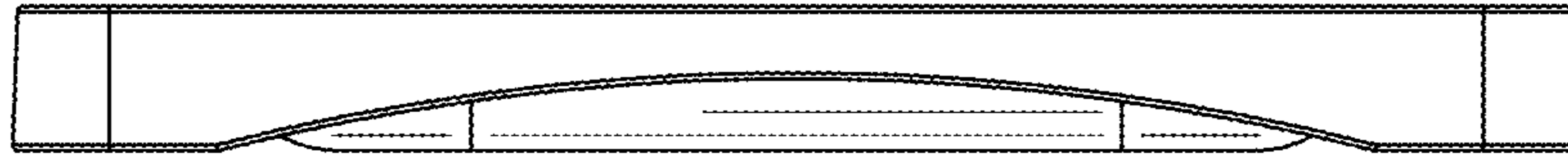


FIG. 8

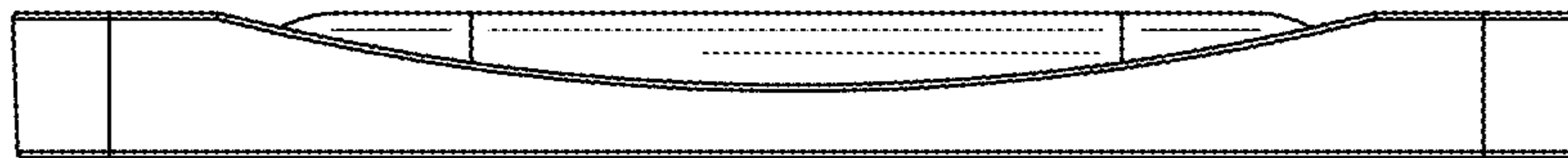


FIG. 9