



US00D838557S

(12) **United States Design Patent**  
**Kujawski**

(10) **Patent No.:** **US D838,557 S**  
(45) **Date of Patent:** **\*\* Jan. 22, 2019**

- (54) **FRUIT PRESS FOR BEVERAGES**
- (71) Applicant: **Bryan Kujawski**, Atlanta, GA (US)
- (72) Inventor: **Bryan Kujawski**, Atlanta, GA (US)
- (73) Assignee: **Headlimes LLC**, Jackson, WY (US)
- (\*\*) Term: **15 Years**
- (21) Appl. No.: **29/626,065**
- (22) Filed: **Nov. 14, 2017**
- (51) **LOC (11) Cl.** ..... **07-04**
- (52) **U.S. Cl.**  
USPC ..... **D7/666**
- (58) **Field of Classification Search**  
USPC ..... D7/665–668, 300.2, 516; D9/600, 605,  
D9/607  
CPC ..... A23N 1/003; A47J 19/022; A47J 19/06  
See application file for complete search history.

2014/0144937 A1\* 5/2014 Arseno-Armstrong .....  
B67B 7/26  
222/89

\* cited by examiner

*Primary Examiner* — Terry A Wallace  
(74) *Attorney, Agent, or Firm* — Rachel H. Huffstetler;  
FisherBroyles LLP

(57) **CLAIM**

The ornamental design for a fruit press for beverages, as shown and described.

**DESCRIPTION**

FIG. 1 is a rear, right perspective view of a fruit press for beverages, showing the present design in a first in-use position;  
FIG. 2 is a front view of the fruit press for beverages in a second in-use position;  
FIG. 3 is a rear view thereof;  
FIG. 4 is a right side view thereof, the left side being a mirror image;  
FIG. 5 is a top plan view thereof; and,  
FIG. 6 is a bottom plan view thereof.

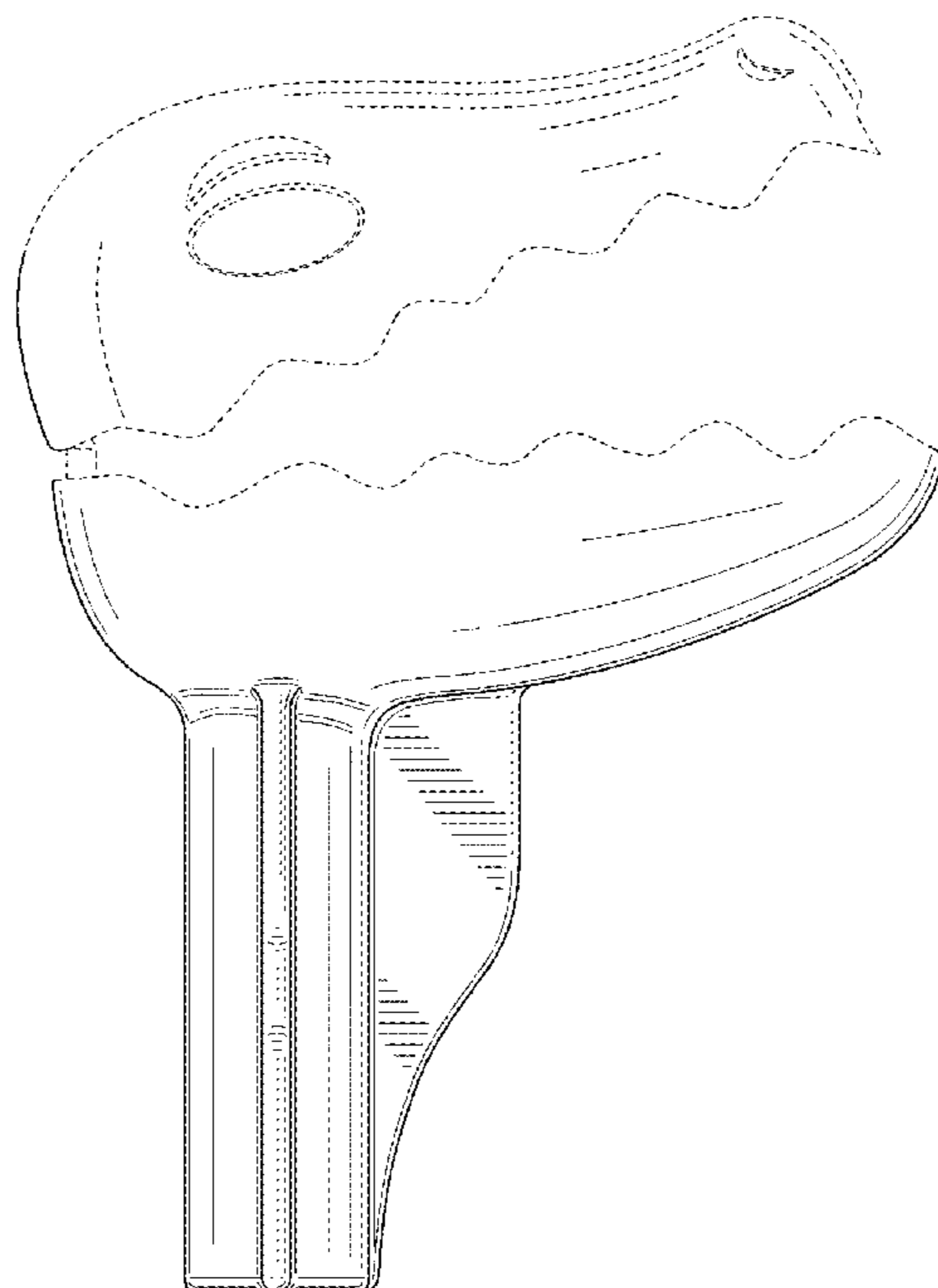
The broken lines shown herein are for illustrative purposes and which define the bounds of the claimed design but form no part of the claimed design. The contour lines represent the character, contour and/or curvature of the surfaces and does not represent any material, texture, or finish.

(56) **References Cited**

**U.S. PATENT DOCUMENTS**

- D374,617 S \* 10/1996 Petrucci ..... D21/615
- D468,595 S \* 1/2003 Lillelund ..... D7/666
- 7,000,535 B2 \* 2/2006 Harrison-Griffin ..... A47J 19/06  
100/126
- D695,073 S \* 12/2013 Franco ..... D7/515
- 2012/0312176 A1 \* 12/2012 Ippolito ..... A47J 19/022  
99/509

**1 Claim, 6 Drawing Sheets**



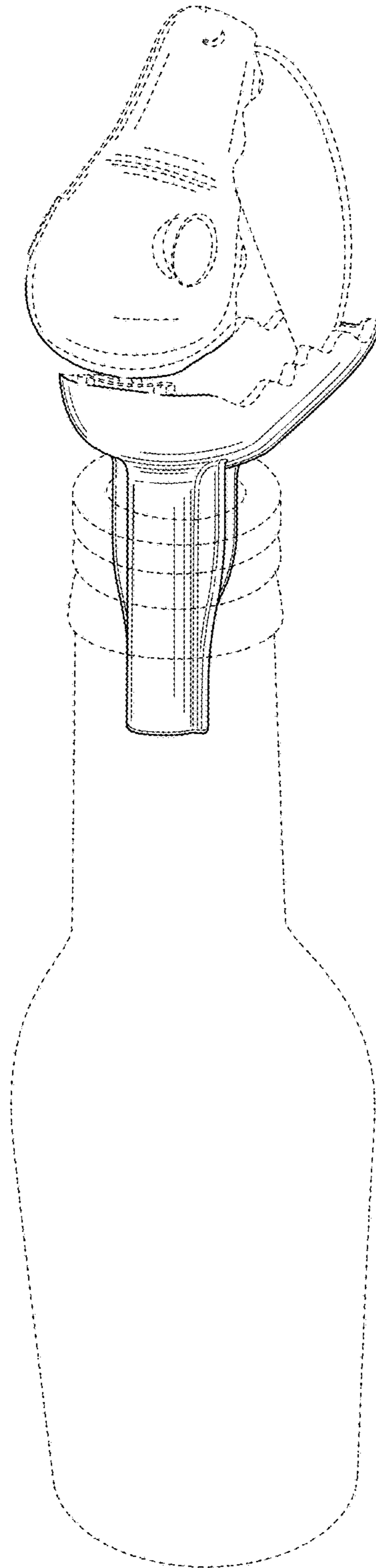
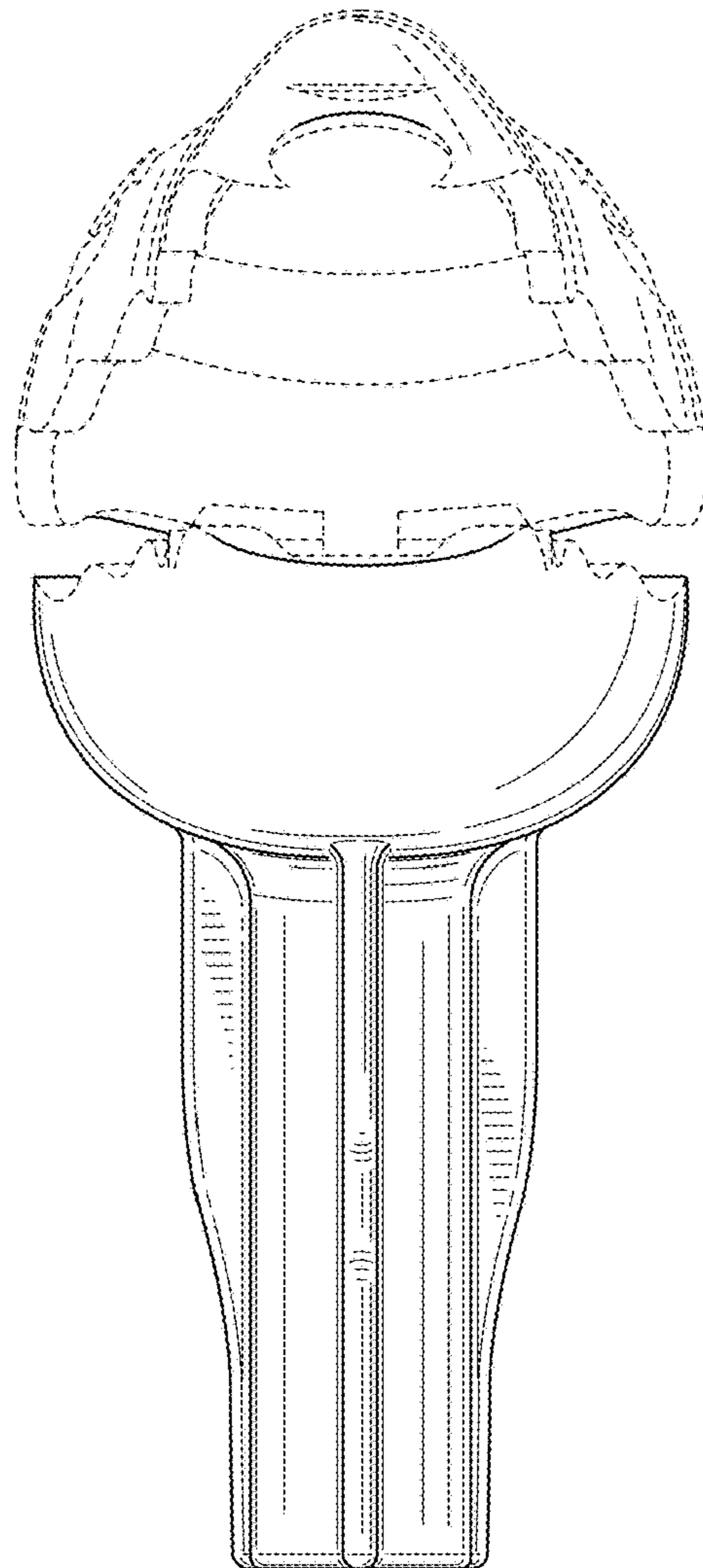
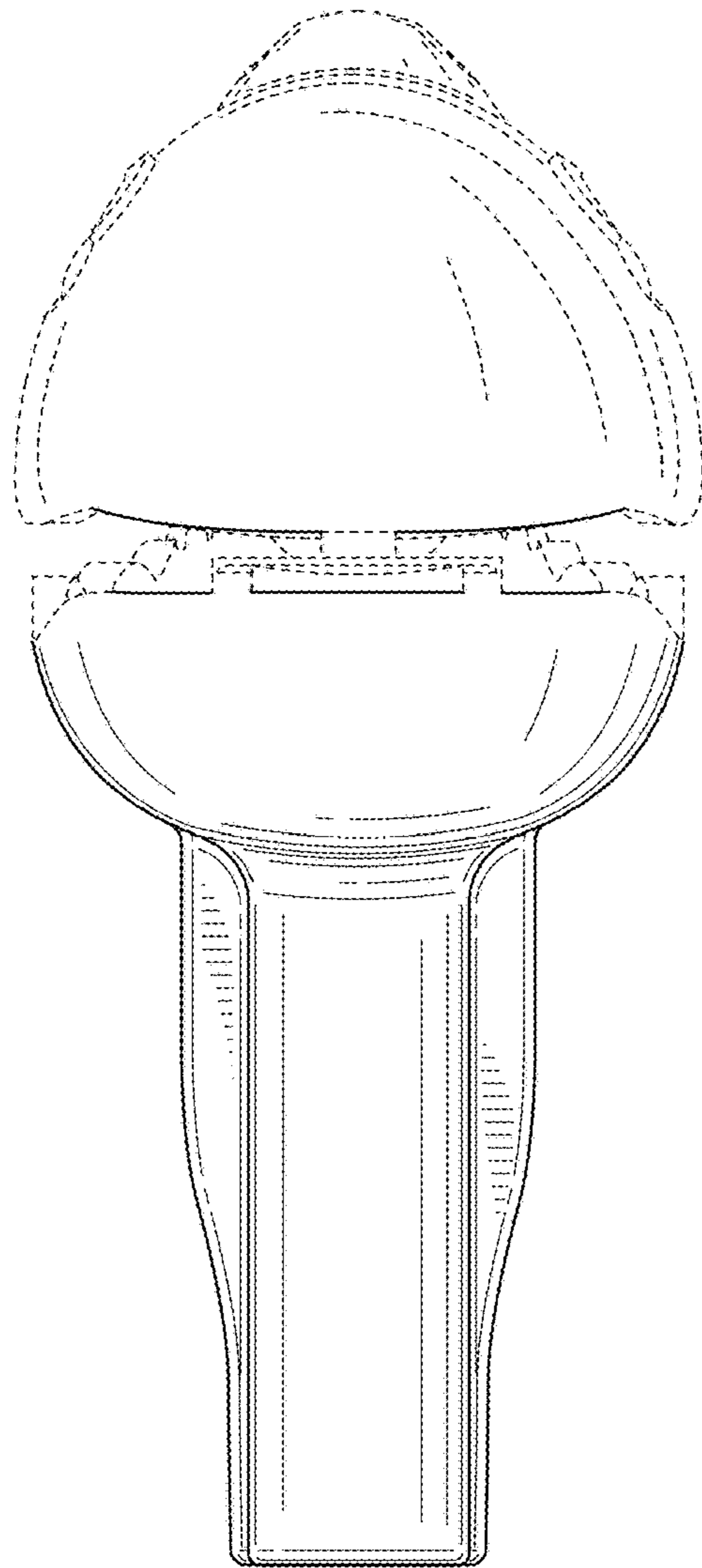


FIG. 1



**FIG. 2**



**FIG. 3**

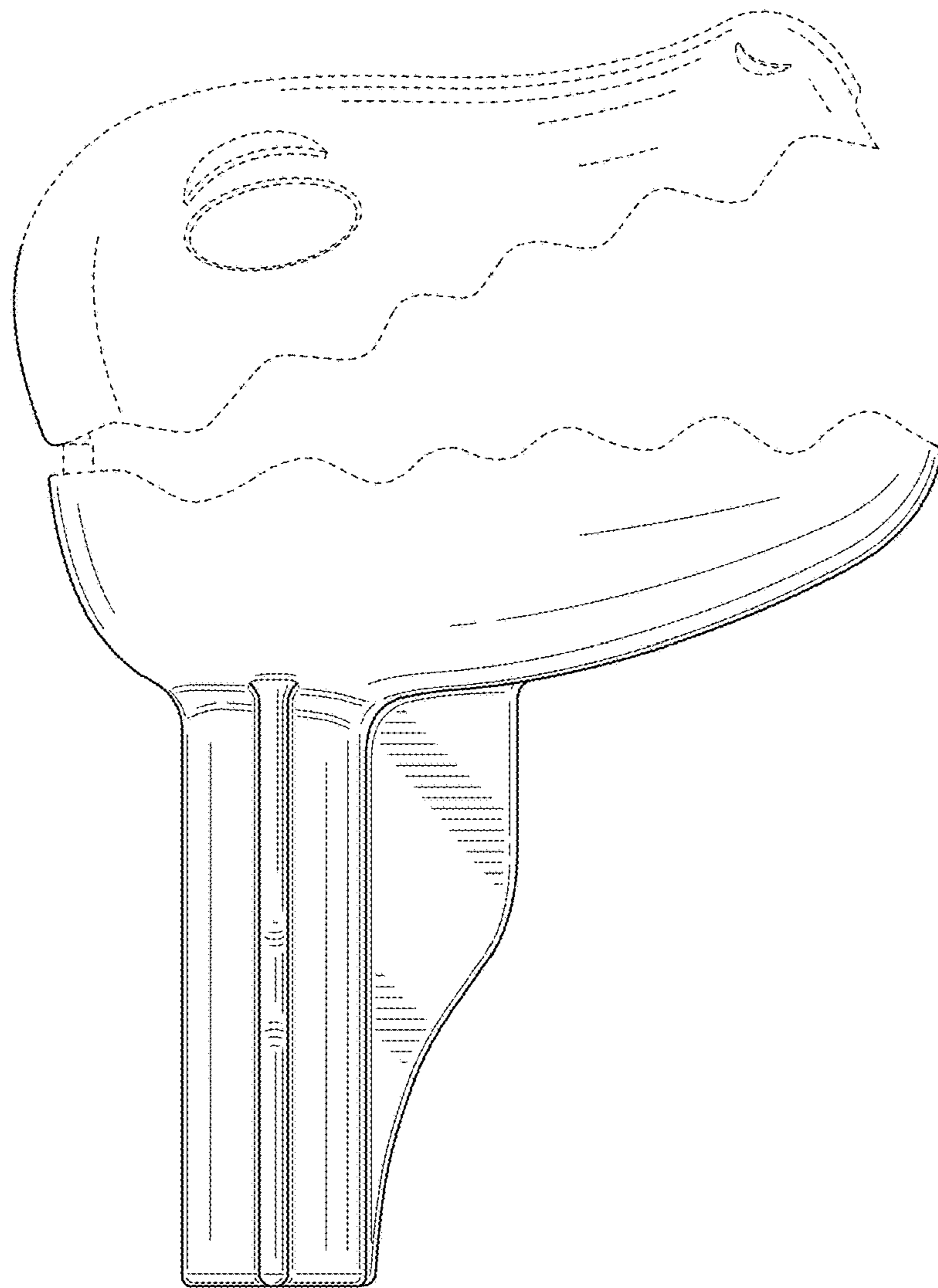
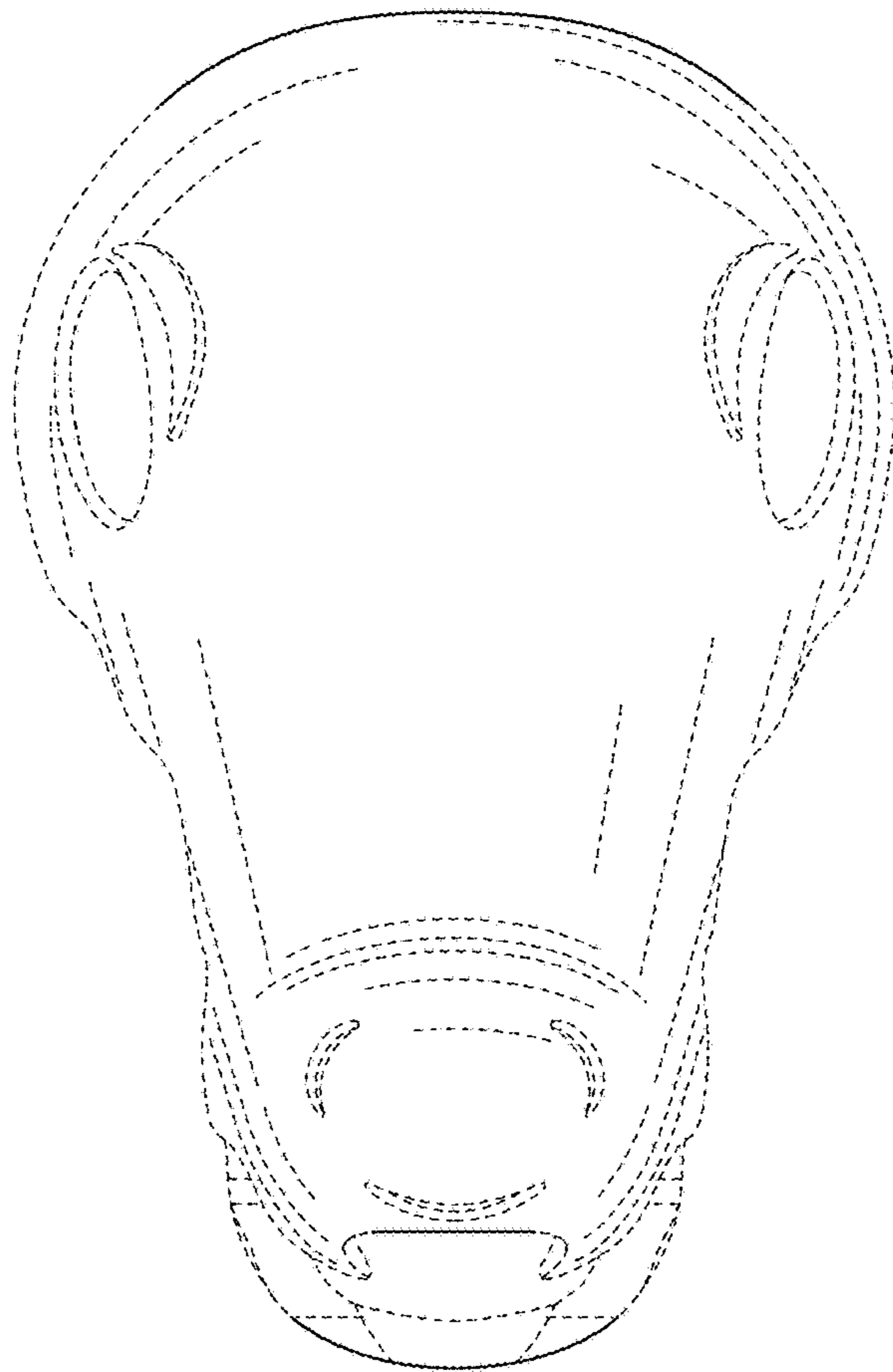


FIG. 4



**FIG. 5**

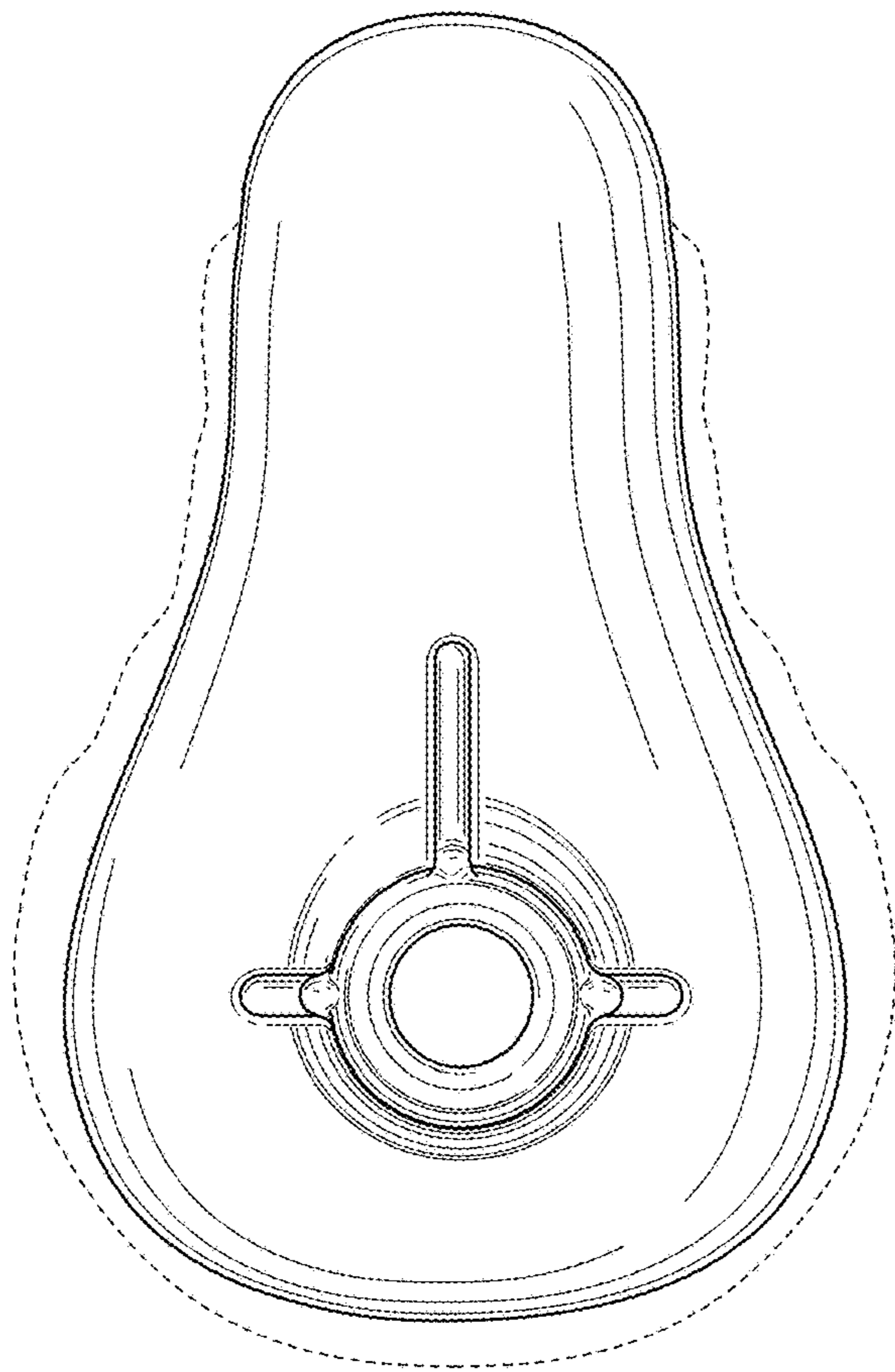


FIG. 6