



US00D838555S

(12) **United States Design Patent**
Gauss et al.

(10) **Patent No.:** **US D838,555 S**

(45) **Date of Patent:** **** Jan. 22, 2019**

(54) **KNIFE SHEATH**

(71) Applicants: **Kurt Gauss**, Spokane, WA (US); **S. Richard Motzkus**, Spokane, WA (US)

(72) Inventors: **Kurt Gauss**, Spokane, WA (US); **S. Richard Motzkus**, Spokane, WA (US)

(73) Assignee: **GSI Outdoors, Inc.**, Spokane, WA (US)

(**) Term: **15 Years**

(21) Appl. No.: **29/612,906**

(22) Filed: **Aug. 4, 2017**

(51) **LOC (11) Cl.** **07-99**

(52) **U.S. Cl.**
USPC **D7/638**

(58) **Field of Classification Search**
USPC D7/637-638; D3/220; 224/232;
206/349; 451/461, 503, 521, 553, 555;
30/138, 143, 151, 298.4; 76/82
CPC B24D 15/084; B26B 3/00; B26B 29/025;
F41B 13/00; F41B 13/04
See application file for complete search history.

(56) **References Cited**

U.S. PATENT DOCUMENTS

D433,882 S * 11/2000 Neshat D7/637
8,590,427 B2 * 11/2013 Murphy B26B 29/025
206/349

D746,585 S * 1/2016 Burge D3/220
D805,764 S * 12/2017 Liu D3/220
D816,431 S * 5/2018 Yeh D7/638
D817,724 S * 5/2018 Yeh D7/638
2015/0031274 A1 * 1/2015 Beechinor B24D 15/084
451/553

* cited by examiner

Primary Examiner — Catherine R Oliver-Garcia

(74) *Attorney, Agent, or Firm* — Randall Danskin PS

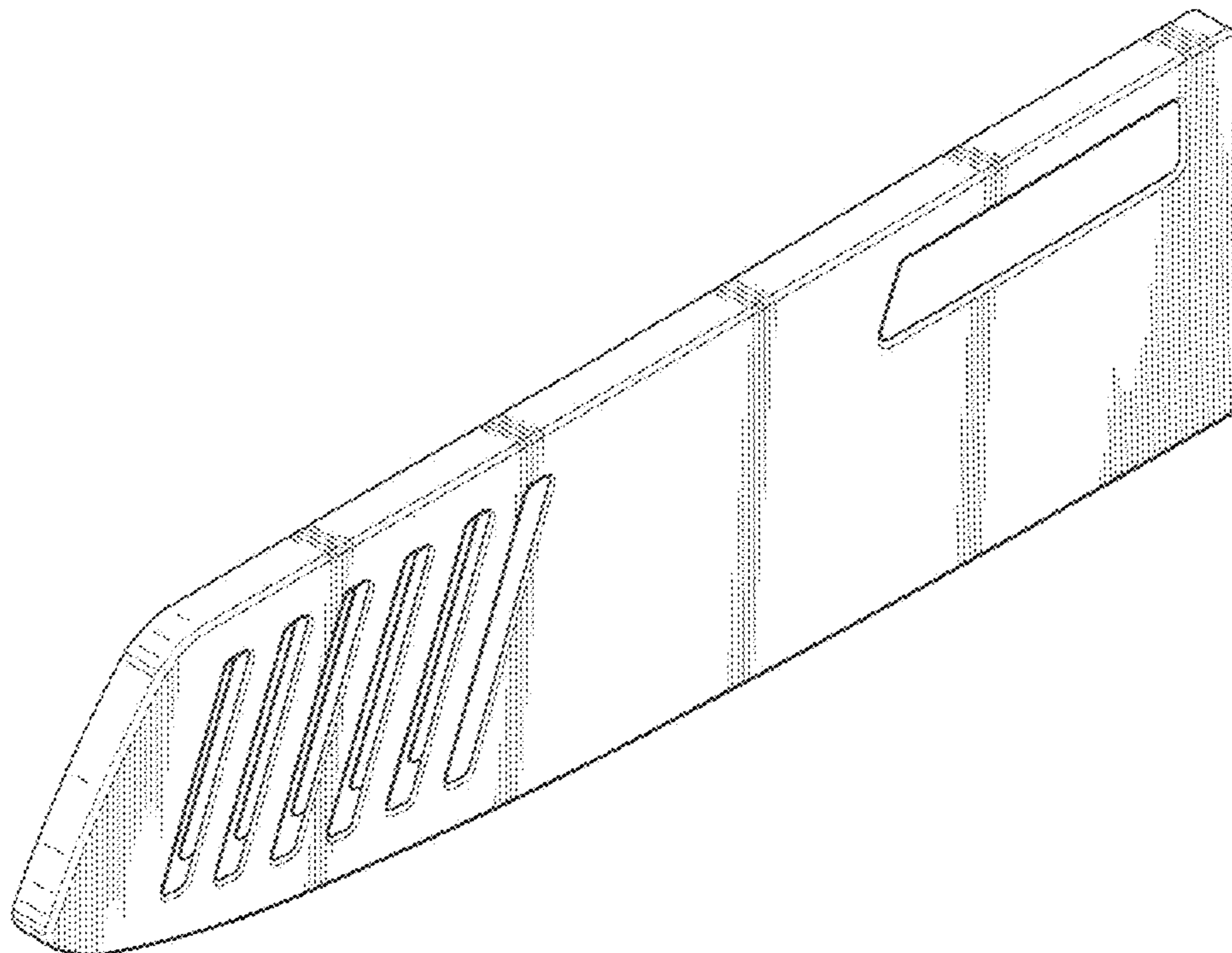
(57) **CLAIM**

The ornamental design for a knife sheath, as shown and described.

DESCRIPTION

FIG. 1 is an isometric front, top and first side view of the knife sheath showing our new design;
FIG. 2 is an orthographic first side view thereof;
FIG. 3 is an orthographic second side view thereof;
FIG. 4 is a top plan view thereof;
FIG. 5 is a bottom plan view thereof;
FIG. 6 is an orthographic front view thereof;
FIG. 7 is an orthographic rear view thereof; and,
FIG. 8 is an isometric rear, top and second side view thereof.

1 Claim, 6 Drawing Sheets



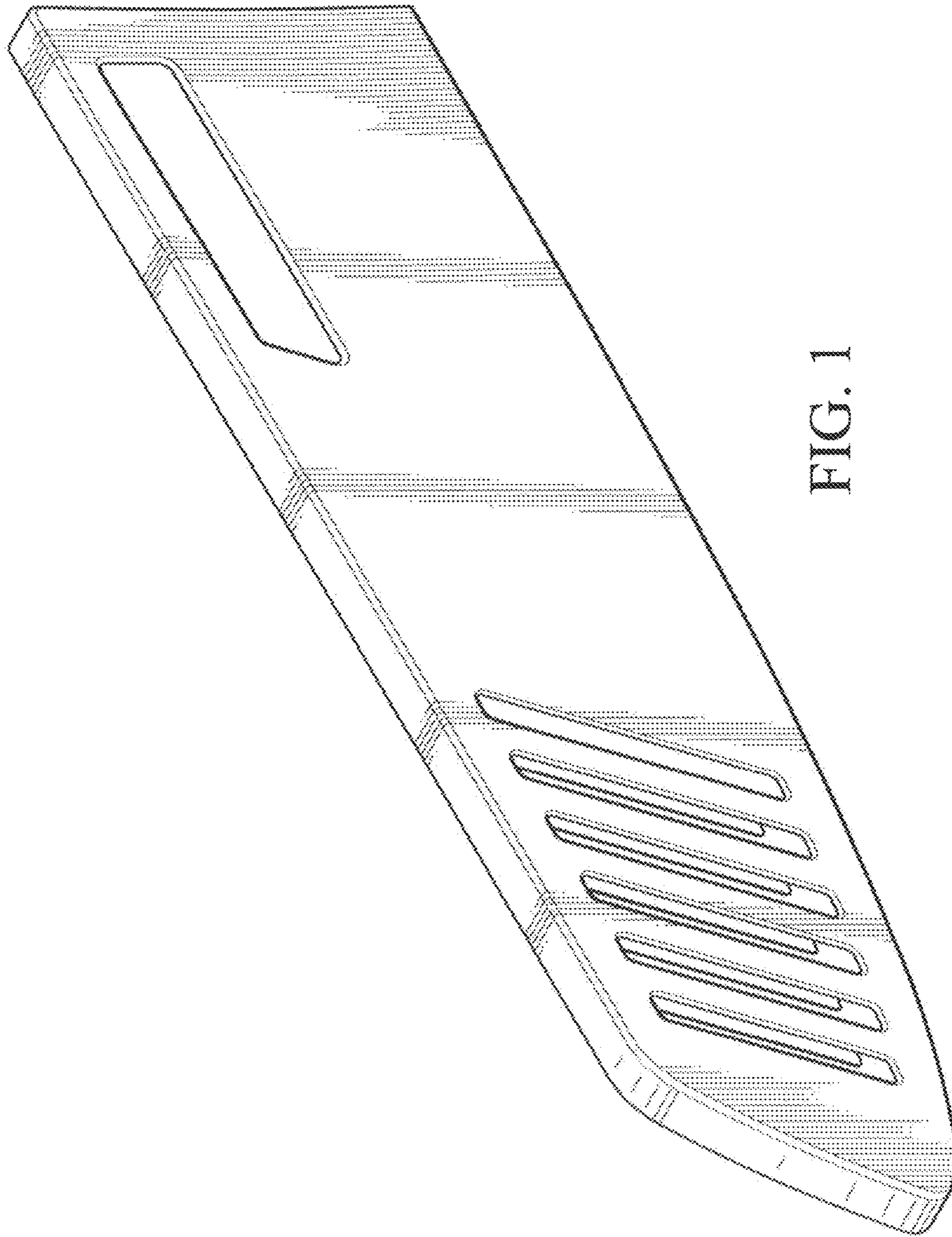


FIG. 1

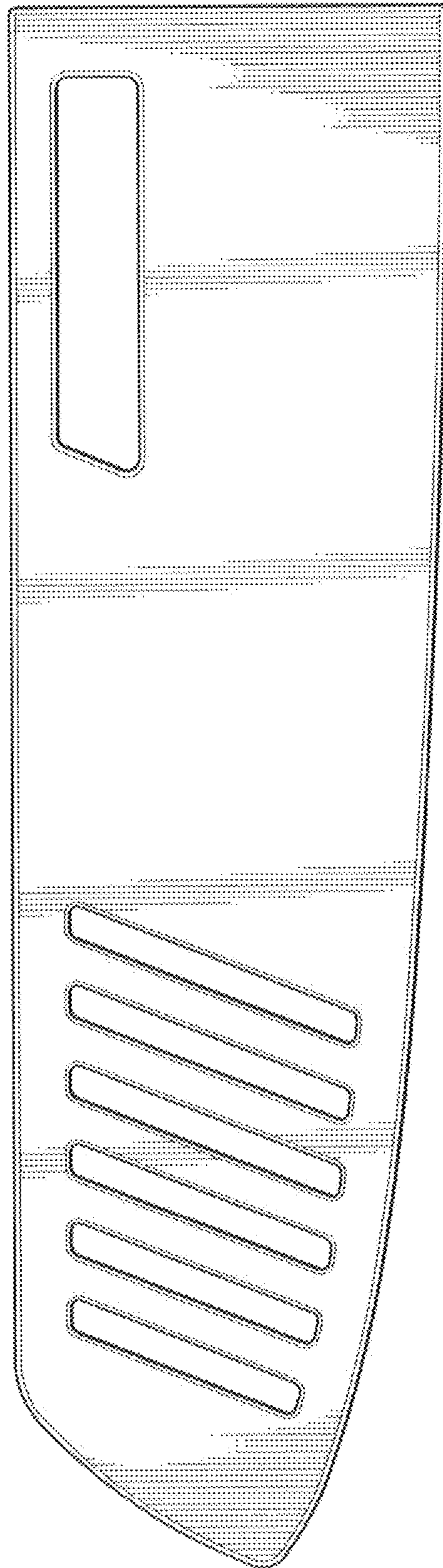


FIG. 2

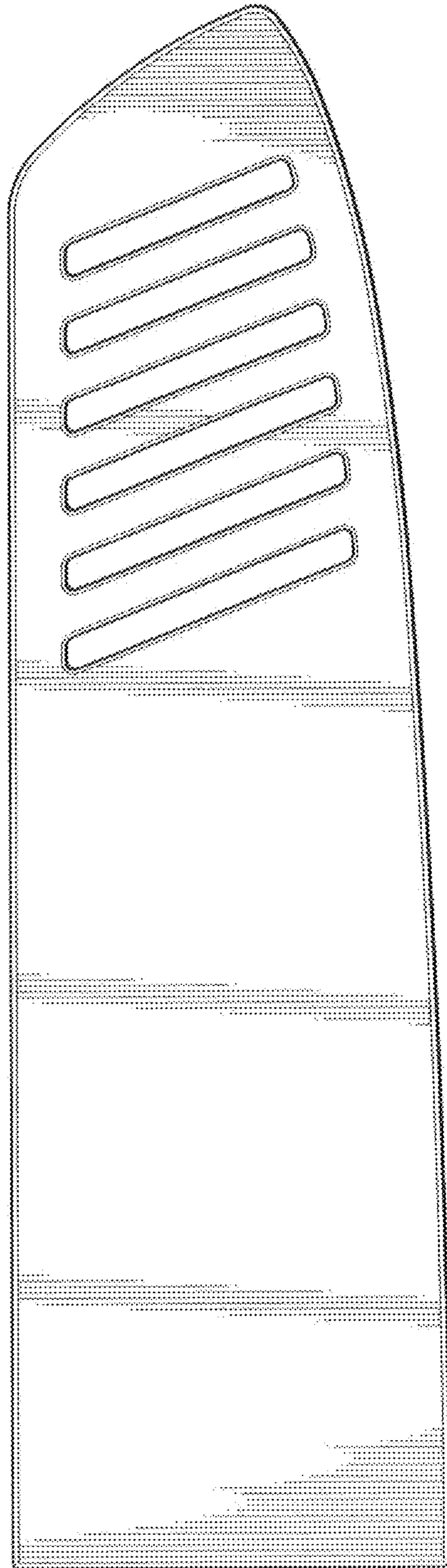


FIG. 3

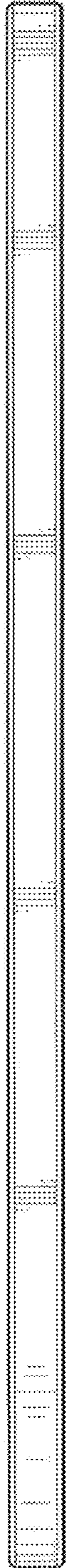


FIG. 4

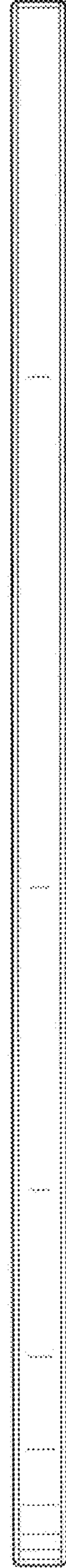


FIG. 5



FIG. 7

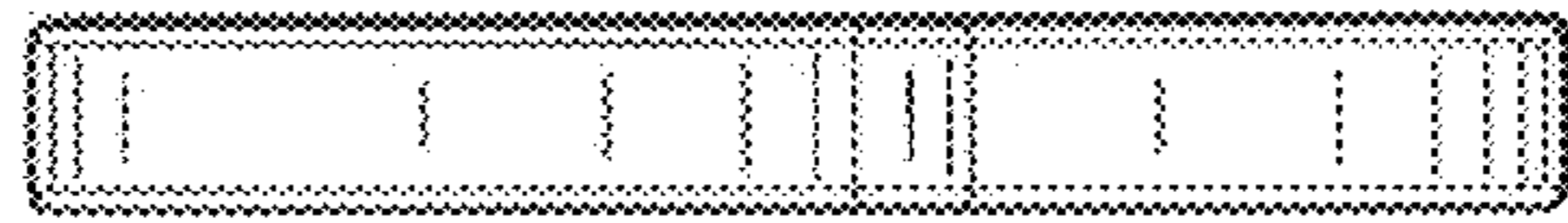


FIG. 6

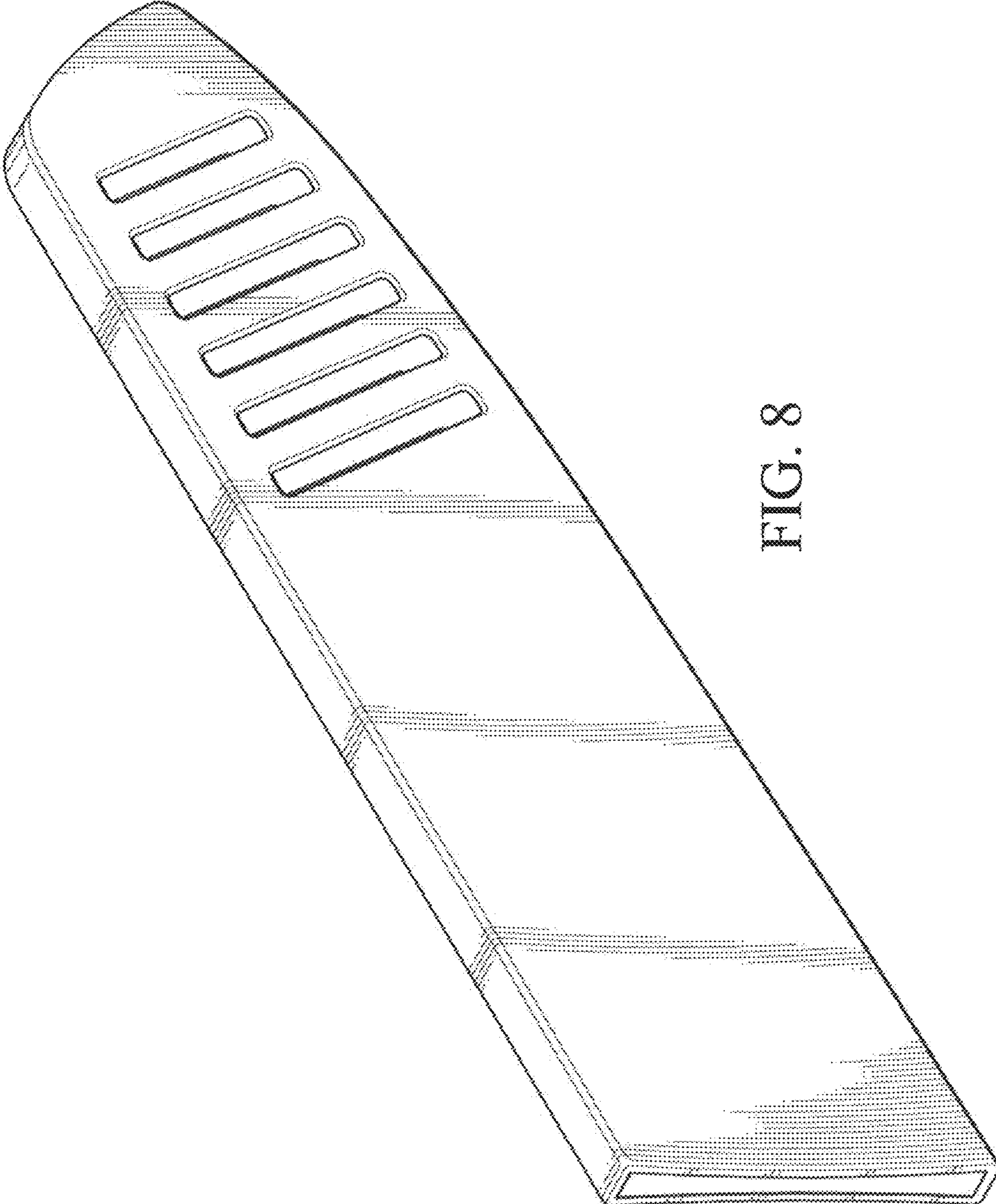


FIG. 8