



US00D838554S

(12) **United States Design Patent**  
**Thompson et al.**

(10) **Patent No.:** **US D838,554 S**  
(45) **Date of Patent:** **\*\* Jan. 22, 2019**

(54) **KNIFE BLOCK**

(71) Applicant: **THE SCOTT FETZER COMPANY**,  
Walnut Ridge, AR (US)

(72) Inventors: **Ted Thompson**, Walnut Ridge, AR  
(US); **Tim Wiener**, Jonesboro, AR  
(US); **Dustin Smith**, Walnut Ridge, AR  
(US)

(73) Assignee: **The Scott Fetzer Company**, Walnut  
Ridge, AR (US)

(\*\*) Term: **15 Years**

(21) Appl. No.: **29/596,001**

(22) Filed: **Mar. 3, 2017**

(51) **LOC (11) Cl.** ..... **07-99**

(52) **U.S. Cl.**  
USPC ..... **D7/637**

(58) **Field of Classification Search**  
USPC ..... D7/637-638; 30/298.4, 296.1; 206/372,  
206/373, 553; 211/70.7; 248/37.3, 111  
CPC ..... A47B 88/20; A47F 7/00; A47G 21/00;  
A47G 21/14; B26B 3/00  
See application file for complete search history.

(56) **References Cited**

**U.S. PATENT DOCUMENTS**

4,693,439 A \* 9/1987 Hahn ..... G09F 23/06  
248/300  
D440,124 S \* 4/2001 Weng ..... D7/637  
(Continued)

**OTHER PUBLICATIONS**

Thirty-Four (34) photographs of knife block products sold on or  
before Mar. 2, 2016, twenty-four (24) pages.

*Primary Examiner* — Derrick E Holland  
*Assistant Examiner* — Janice Patyk

(74) *Attorney, Agent, or Firm* — John A. Yirga, Esq.;  
Tarolli, Sundheim, Covell & Tummino LLP

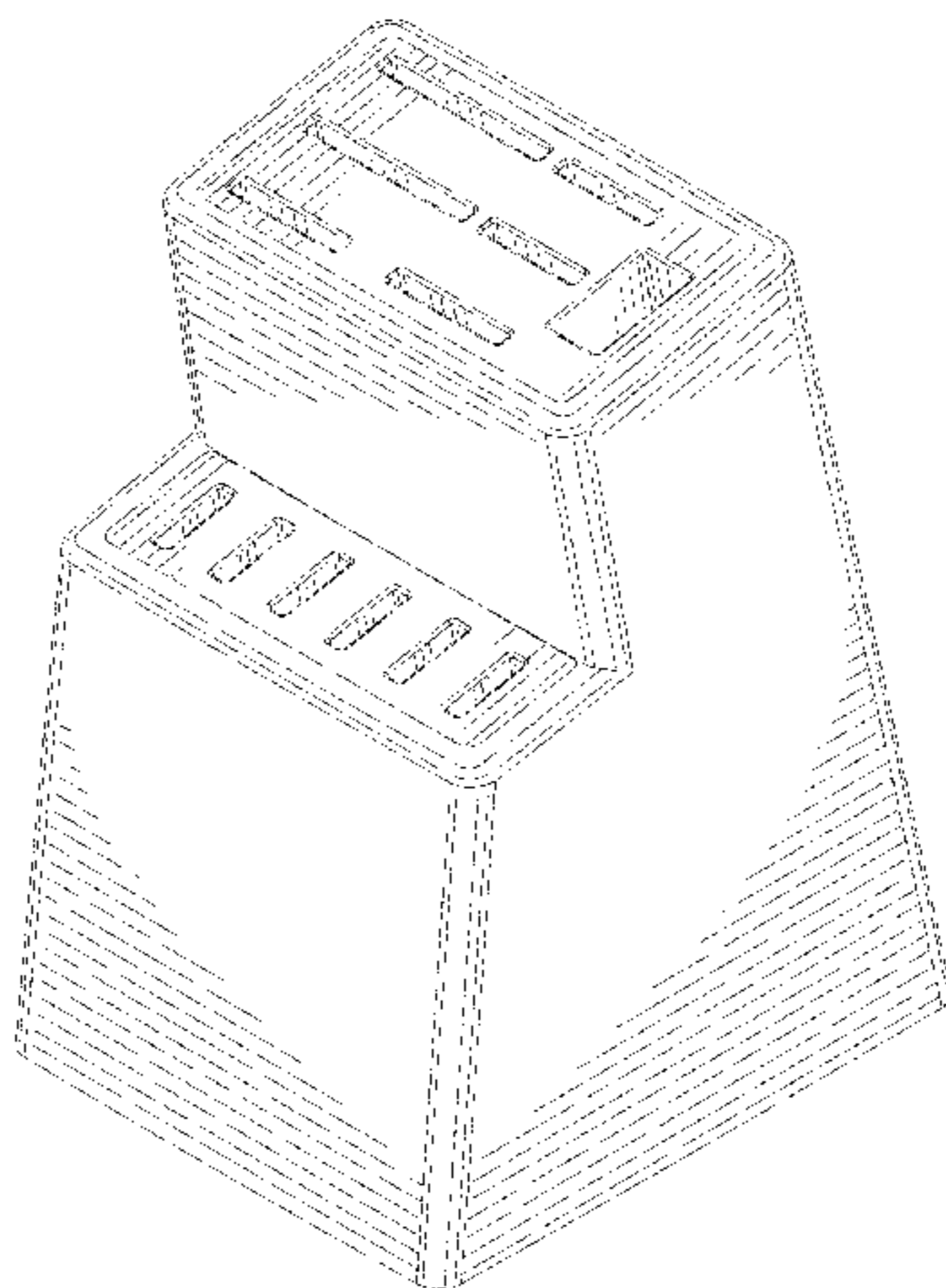
(57) **CLAIM**

The ornamental design for a knife block, as shown and  
described.

**DESCRIPTION**

FIG. 1 is a top, front perspective view of a knife block  
illustrated in accordance with our ornamental design;  
FIG. 2 is a top, rear perspective view thereof;  
FIG. 3 is a bottom, rear perspective view thereof;  
FIG. 4 is a bottom, front perspective view thereof;  
FIG. 5 is a right side elevation view thereof;  
FIG. 6 is a left side elevation view thereof;  
FIG. 7 is a front elevation view thereof;  
FIG. 8 is a rear elevation view thereof;  
FIG. 9 is a top plan view thereof;  
FIG. 10 is a bottom plan view thereof;  
FIG. 11 is an exploded top, front perspective view thereof,  
shown in reduced scale;  
FIG. 12 is a exploded bottom, rear perspective view thereof,  
shown in reduced scale;  
FIG. 13 is a front elevation cross-section view thereof, taken  
along line 13-13 of FIG. 11 thereof, shown in enlarged scale;  
FIG. 14 is a side elevation cross-section view thereof, taken  
along line 14-14 of FIG. 11 thereof, shown in enlarged scale;  
FIG. 15 is a front elevation cross-section view thereof taken  
along section lines 15-15 of FIG. 11;  
FIG. 16 is a front elevation cross-section view thereof taken  
along section lines 16-16 of FIG. 11;  
FIG. 17 is a front elevation cross-section view thereof taken  
along section lines 17-17 of FIG. 11 shown in enlarged scale;  
and,  
FIG. 18 is a side elevation cross-section view thereof taken  
along section lines 18-18 of FIG. 9 thereof.  
The broken lines in the figures illustrate the portions of the  
design that form no part of the claimed design.

**1 Claim, 18 Drawing Sheets**



(56)

**References Cited**

U.S. PATENT DOCUMENTS

6,394,627	B1 *	5/2002	Lo	.....	A47G 21/14	
						362/127
D471,072	S *	3/2003	Gordner	.....	D7/637	
D571,619	S *	6/2008	Abo	.....	D7/637	
D712,706	S *	9/2014	de Bretton Gordon	.....	D7/637	
D766,047	S *	9/2016	Liu	.....	D7/637	
D774,844	S *	12/2016	McConnell	.....	D7/637	
2007/0278165	A1 *	12/2007	Ranieri	.....	A47G 21/14	
						211/70.7

\* cited by examiner

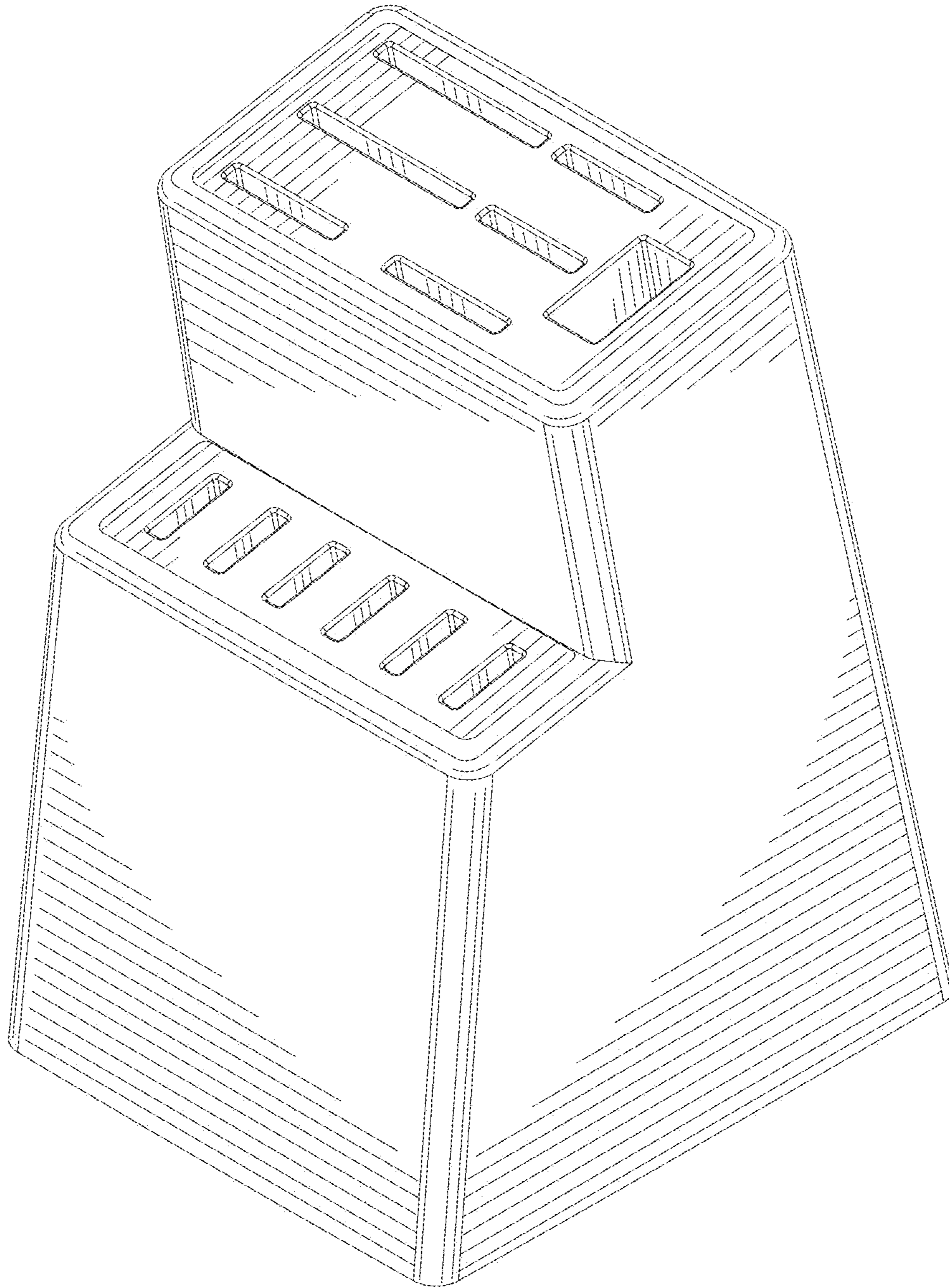


FIG. 1

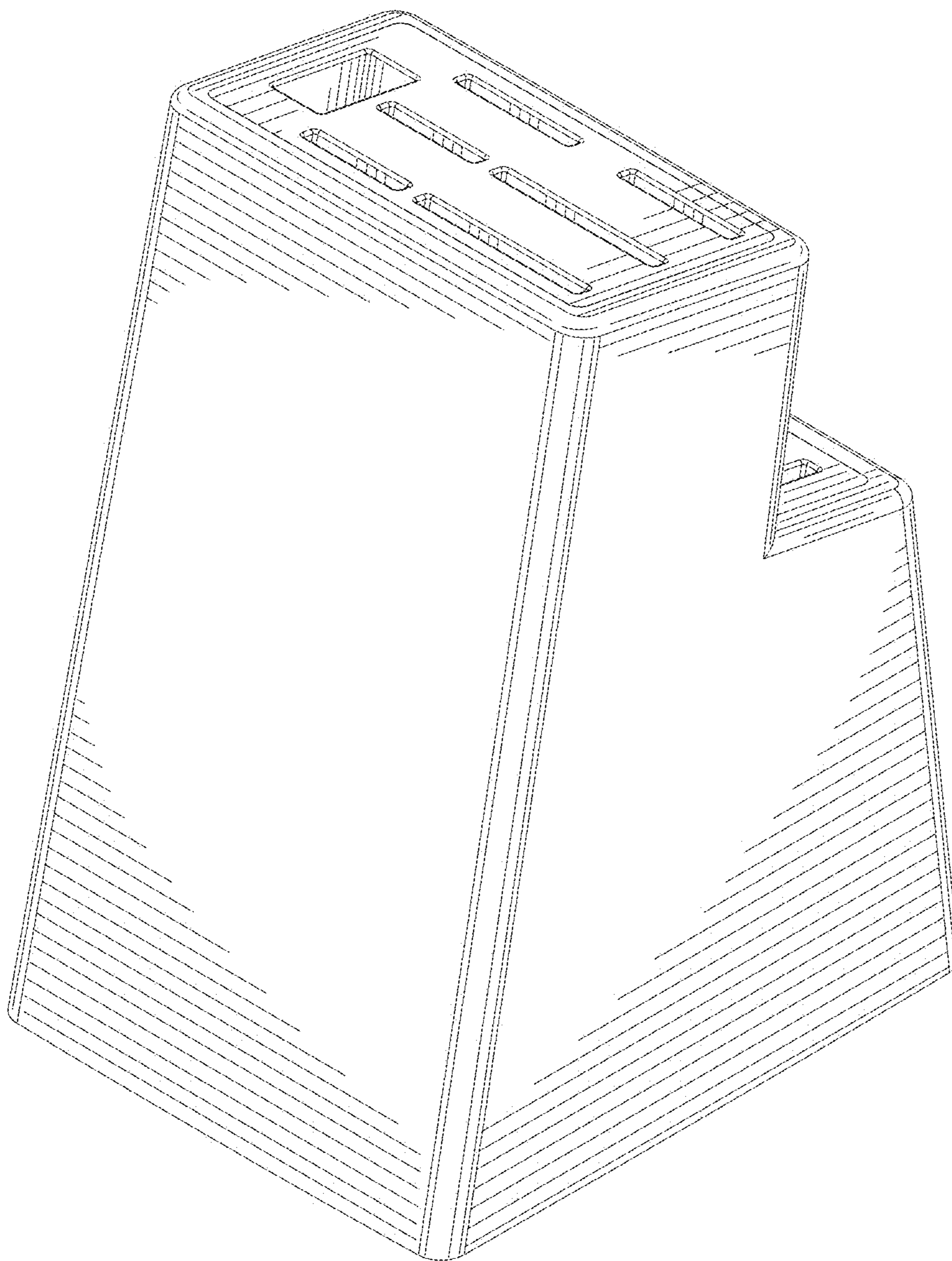


FIG. 2

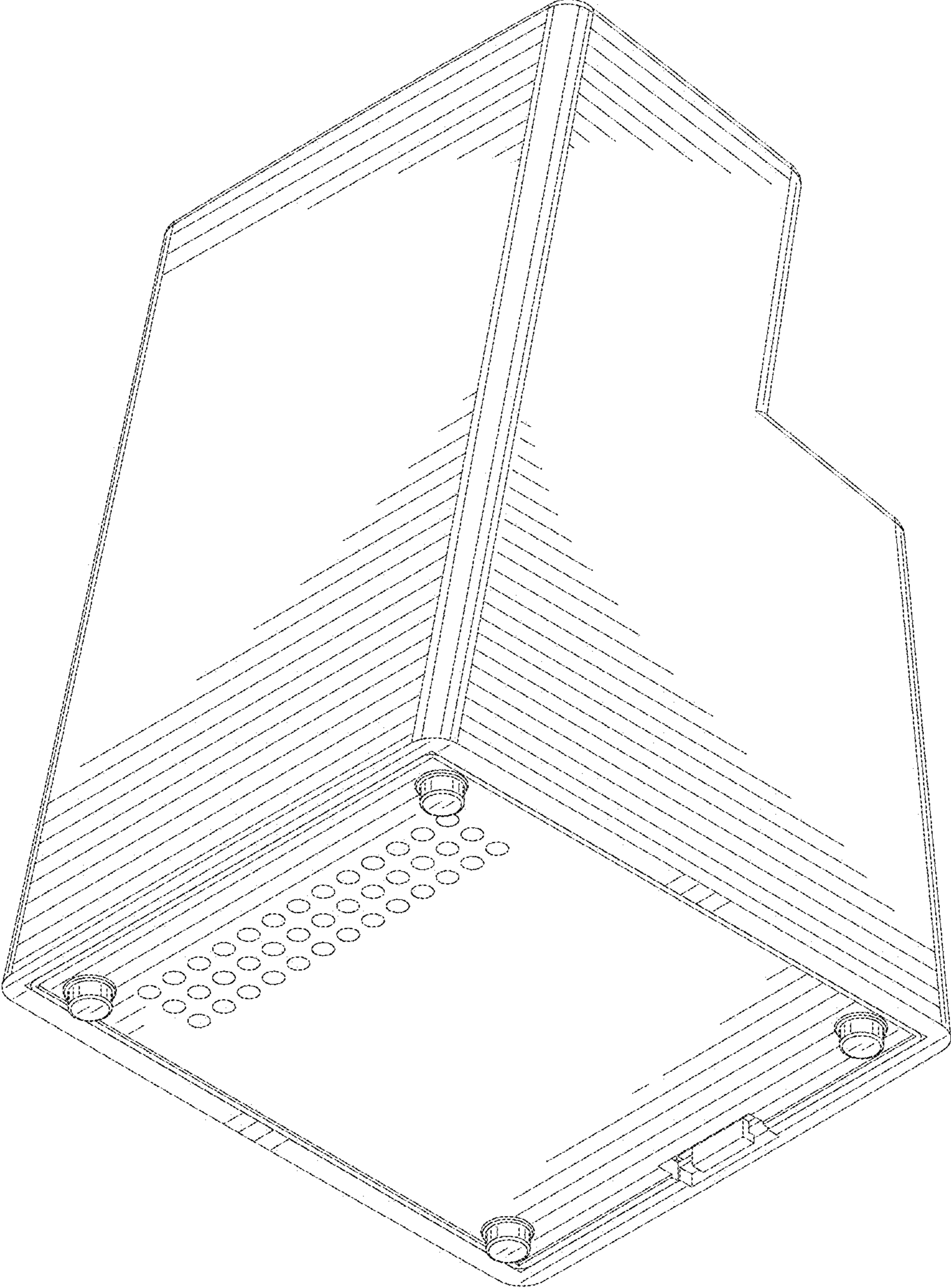


FIG. 3

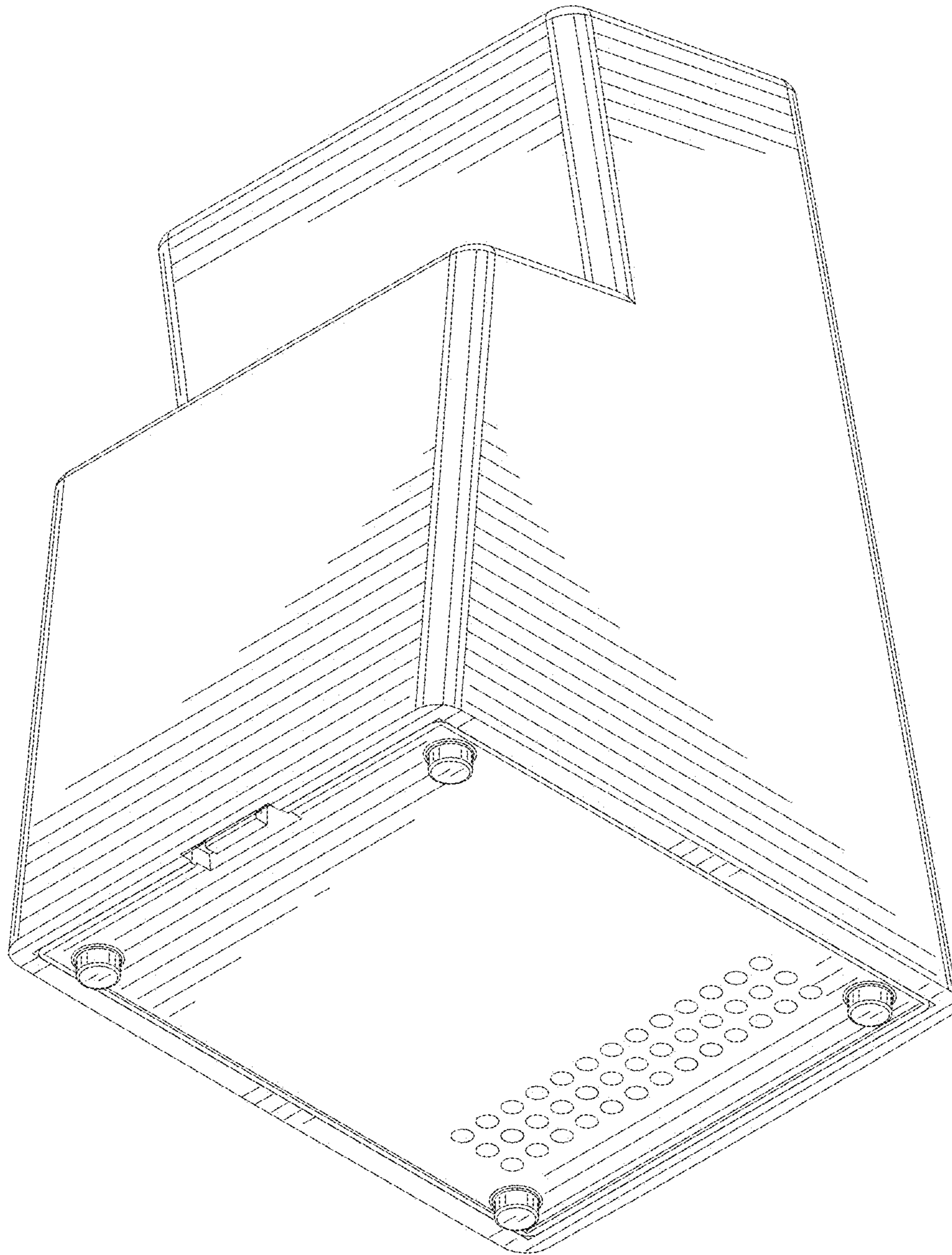


FIG. 4

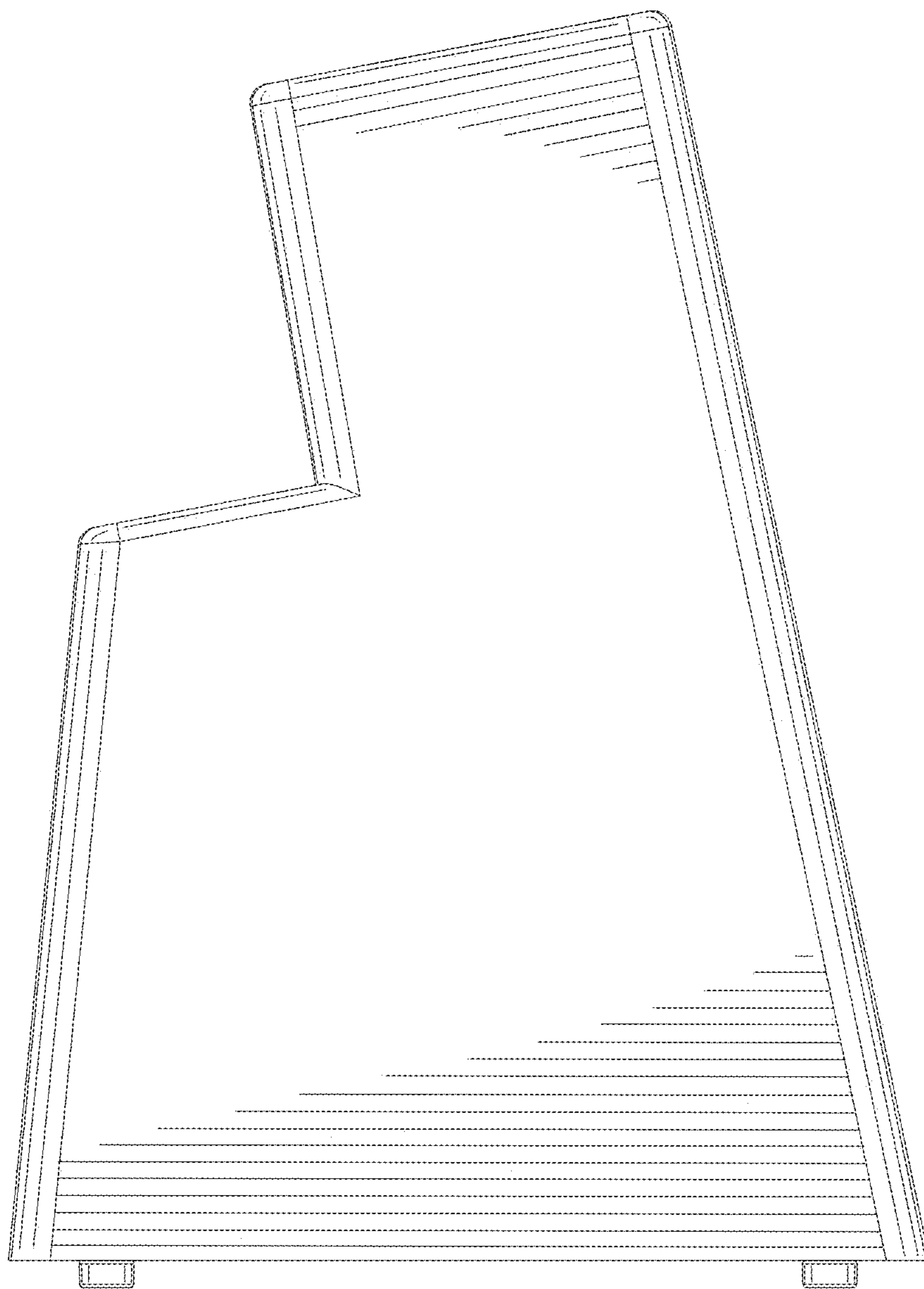


FIG. 5

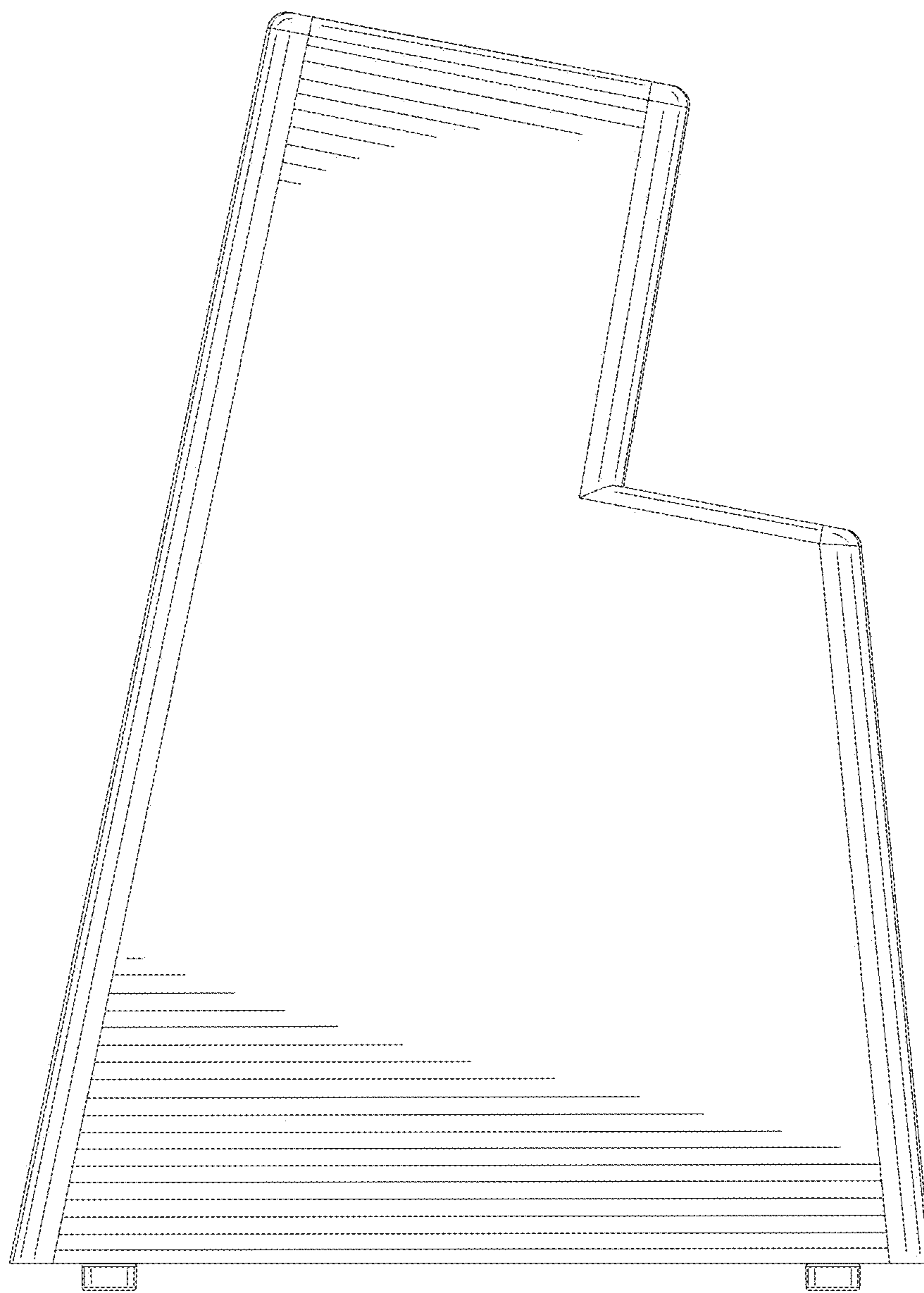


FIG. 6



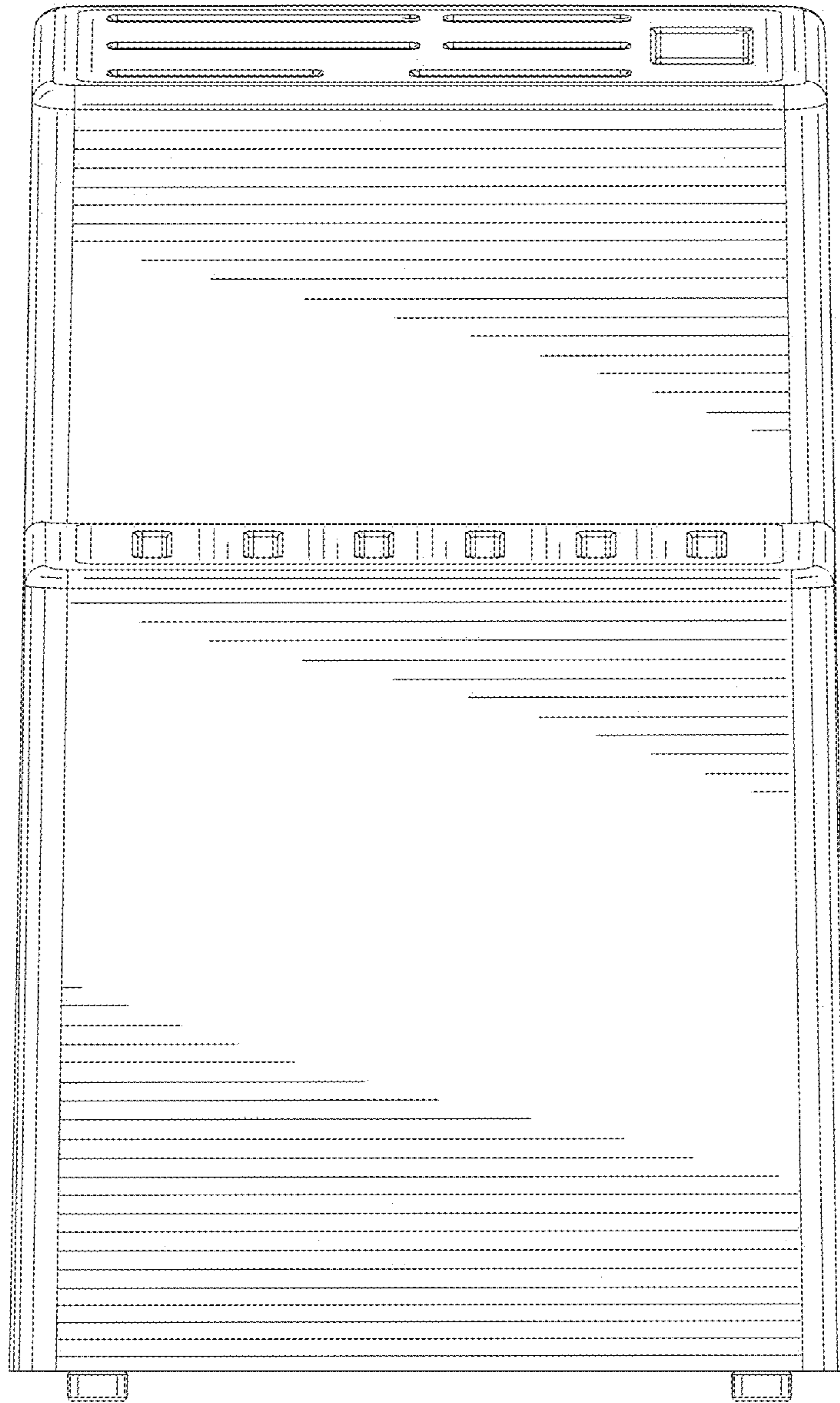


FIG. 7

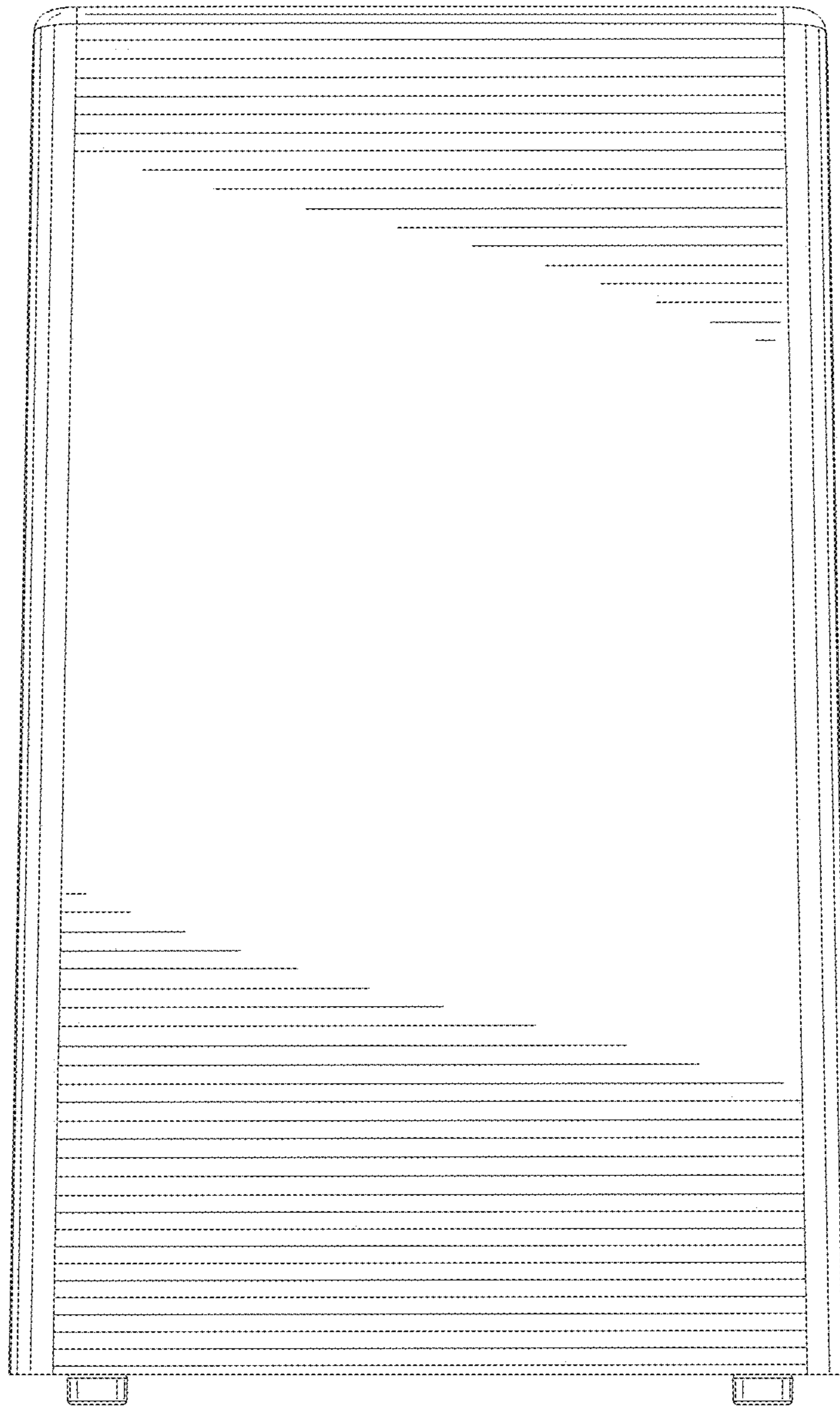


FIG. 8

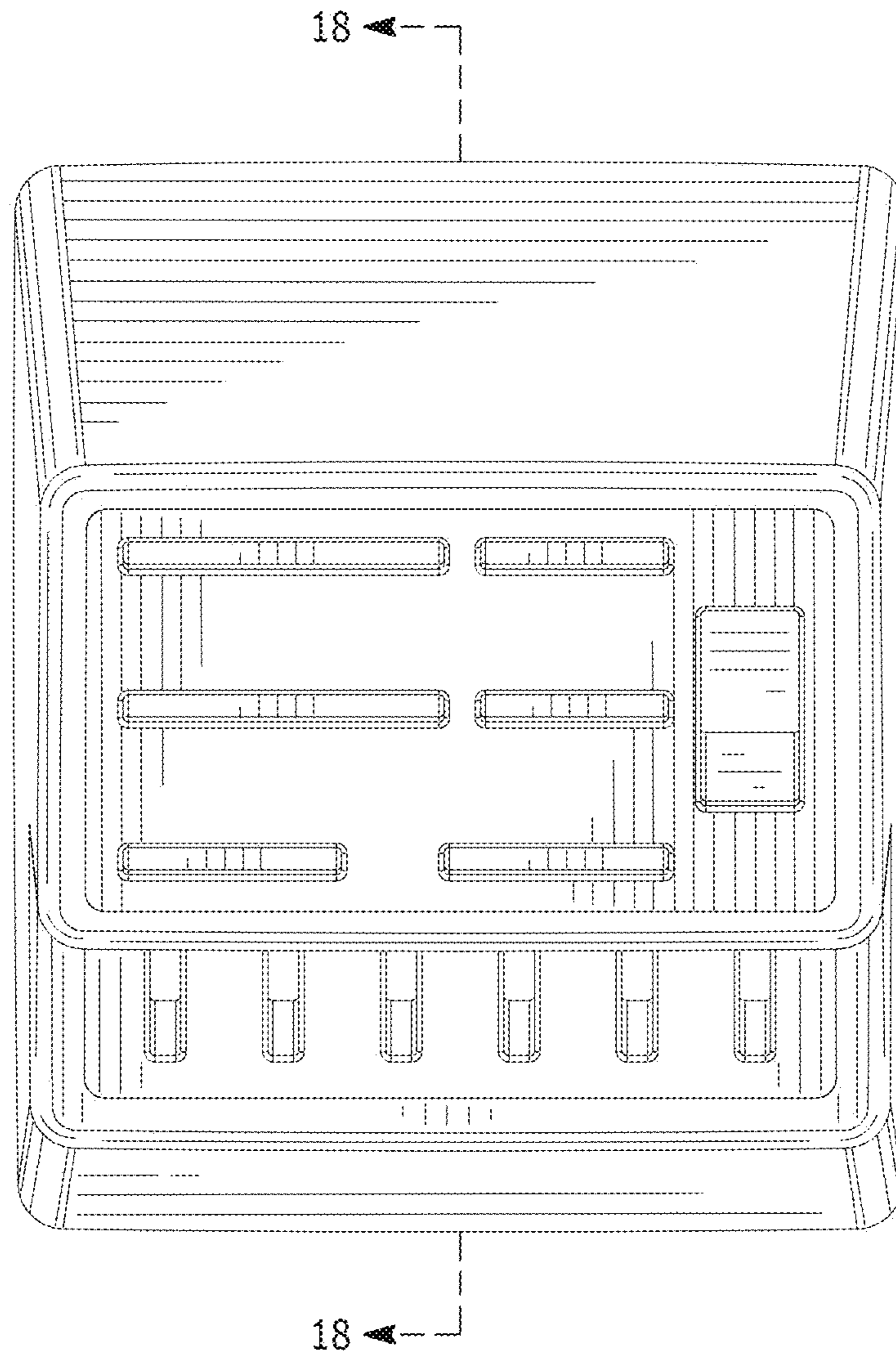


FIG. 9

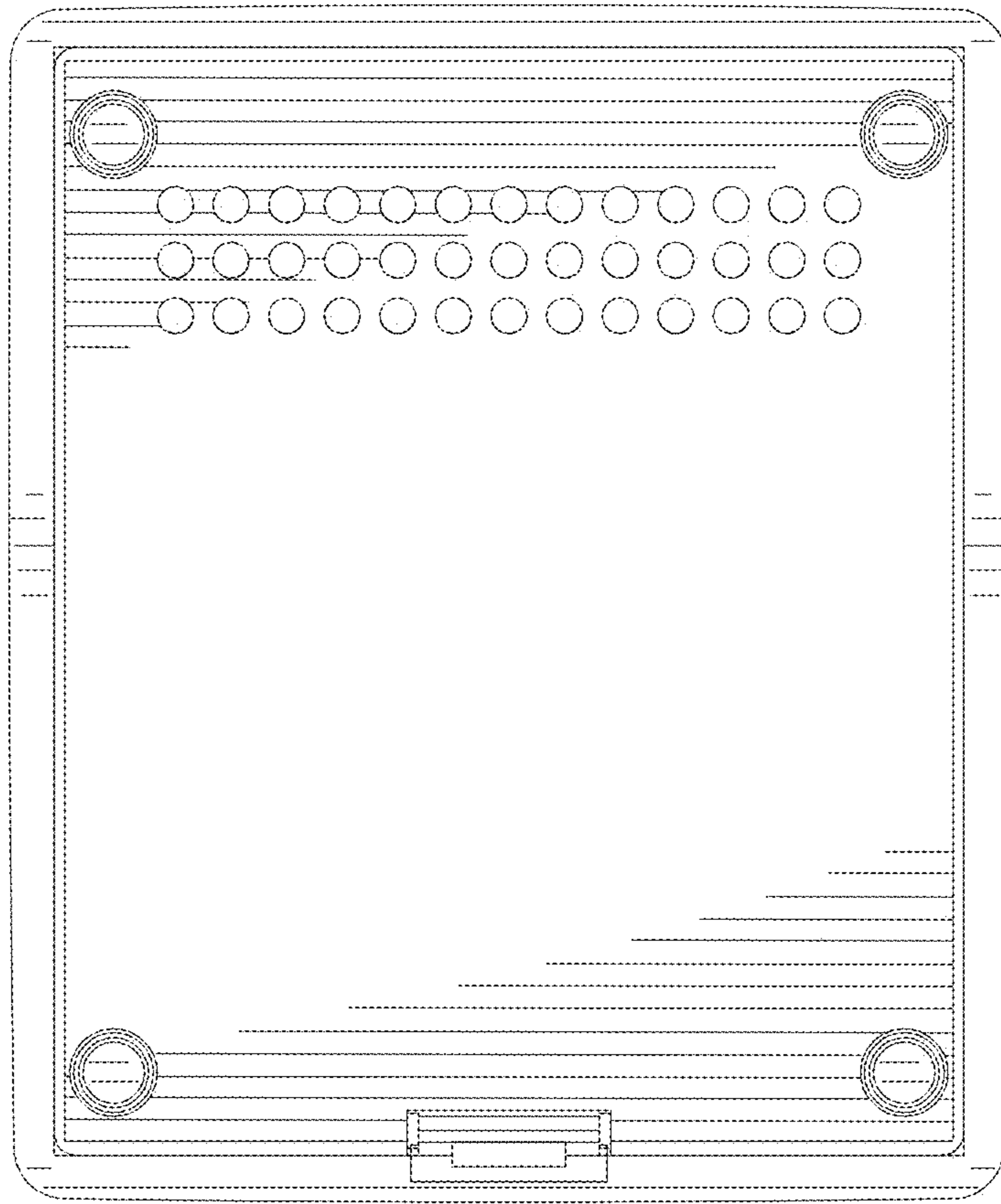


FIG. 10

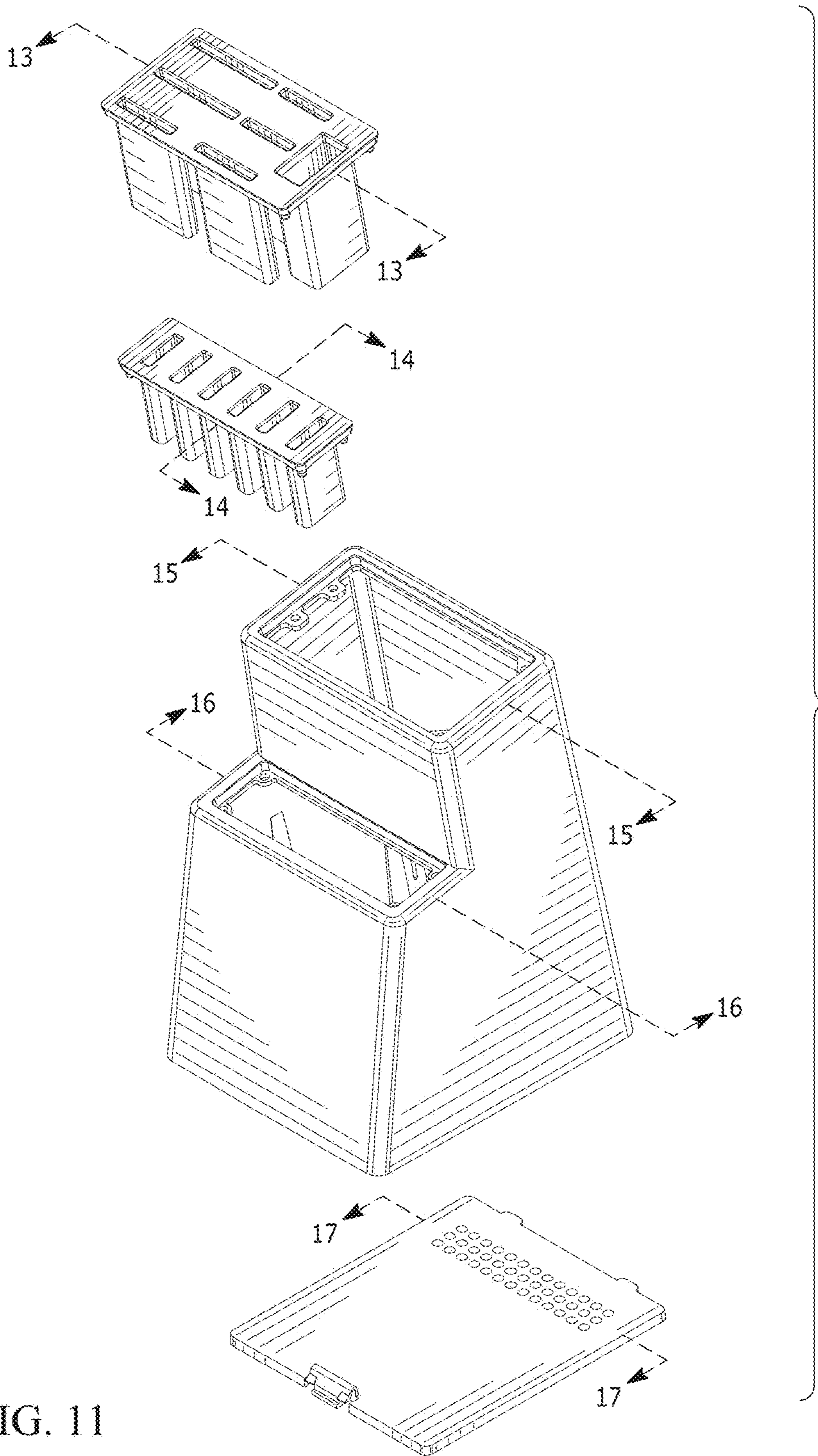


FIG. 11

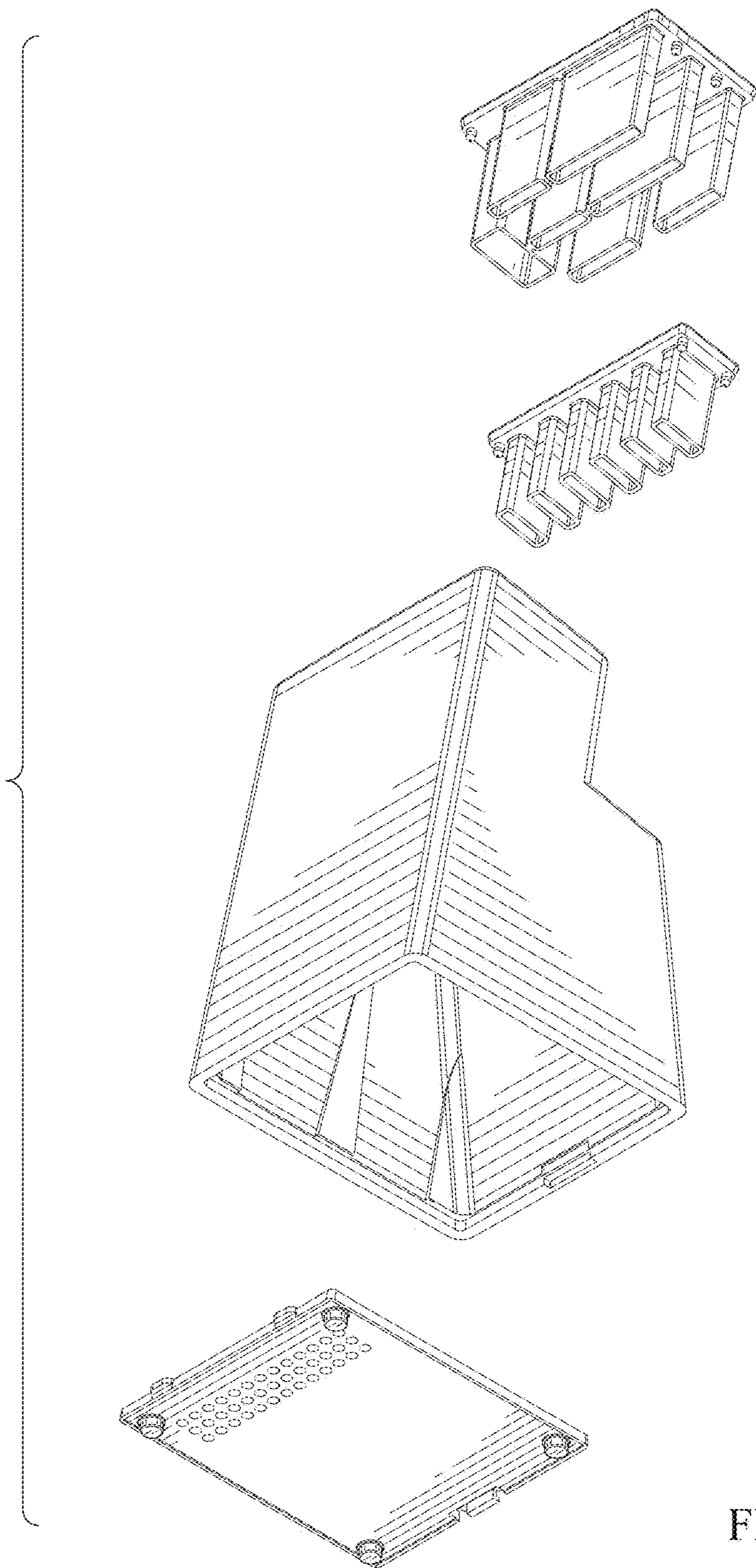


FIG. 12

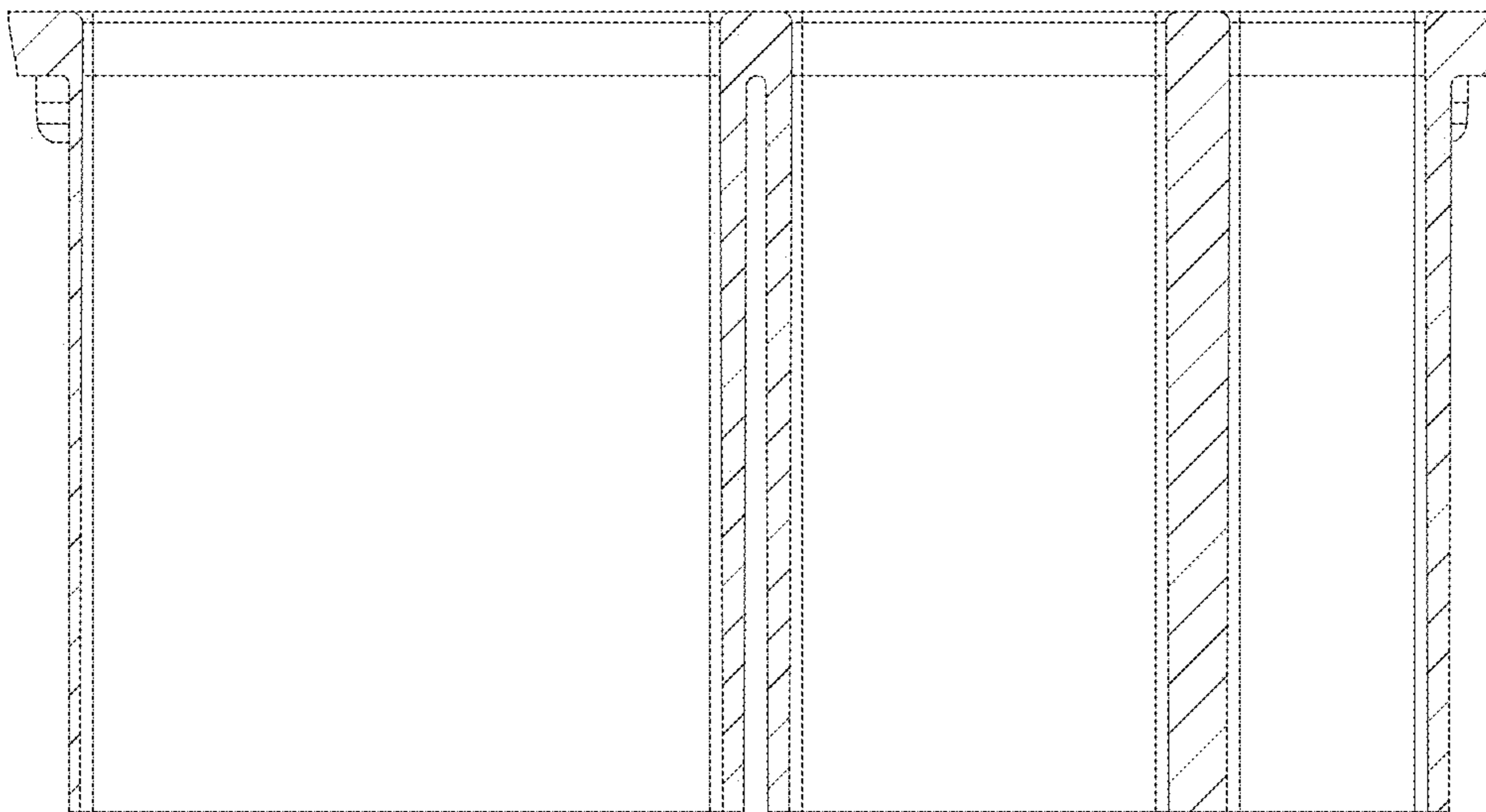


FIG. 13

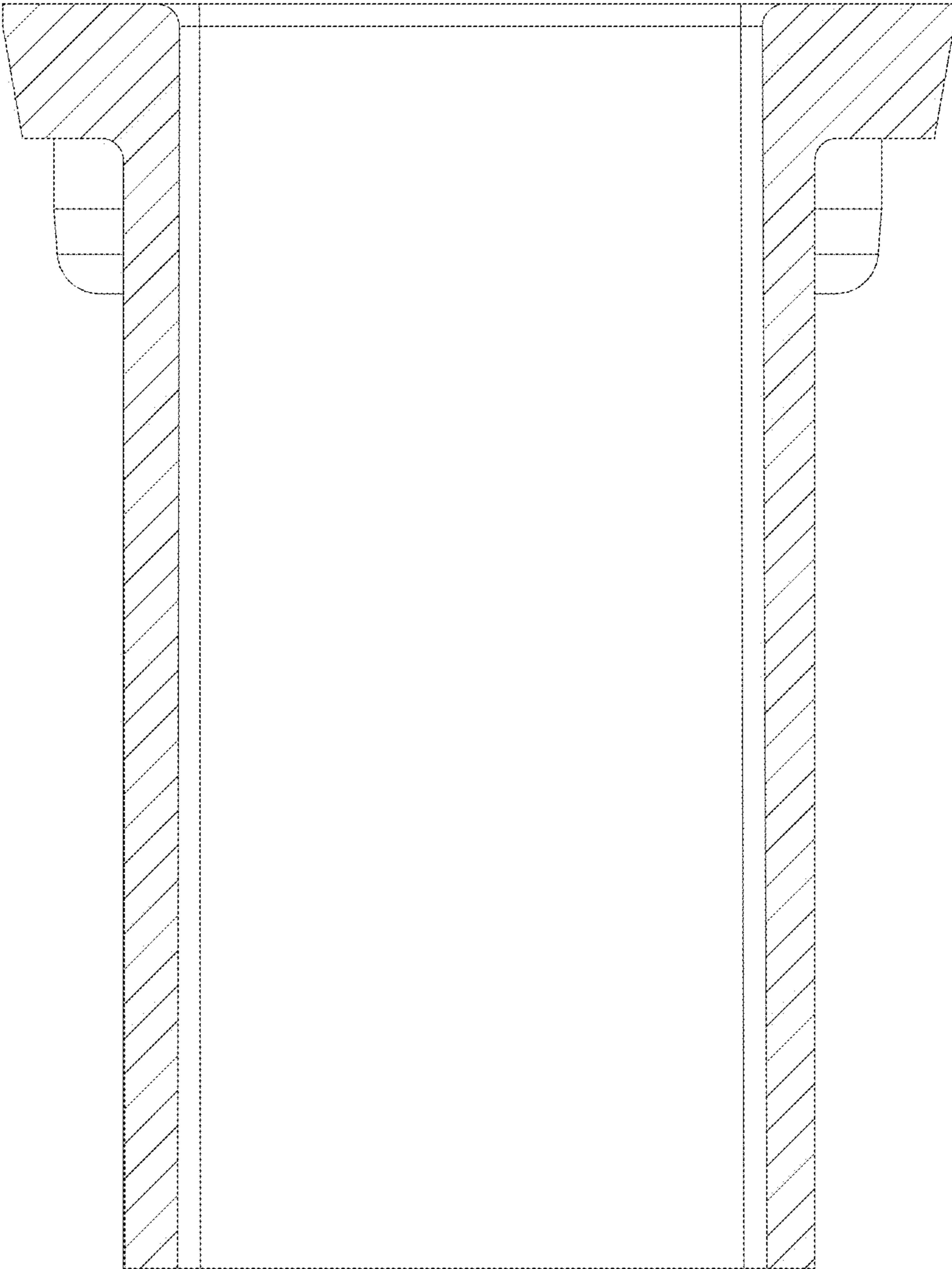


FIG. 14



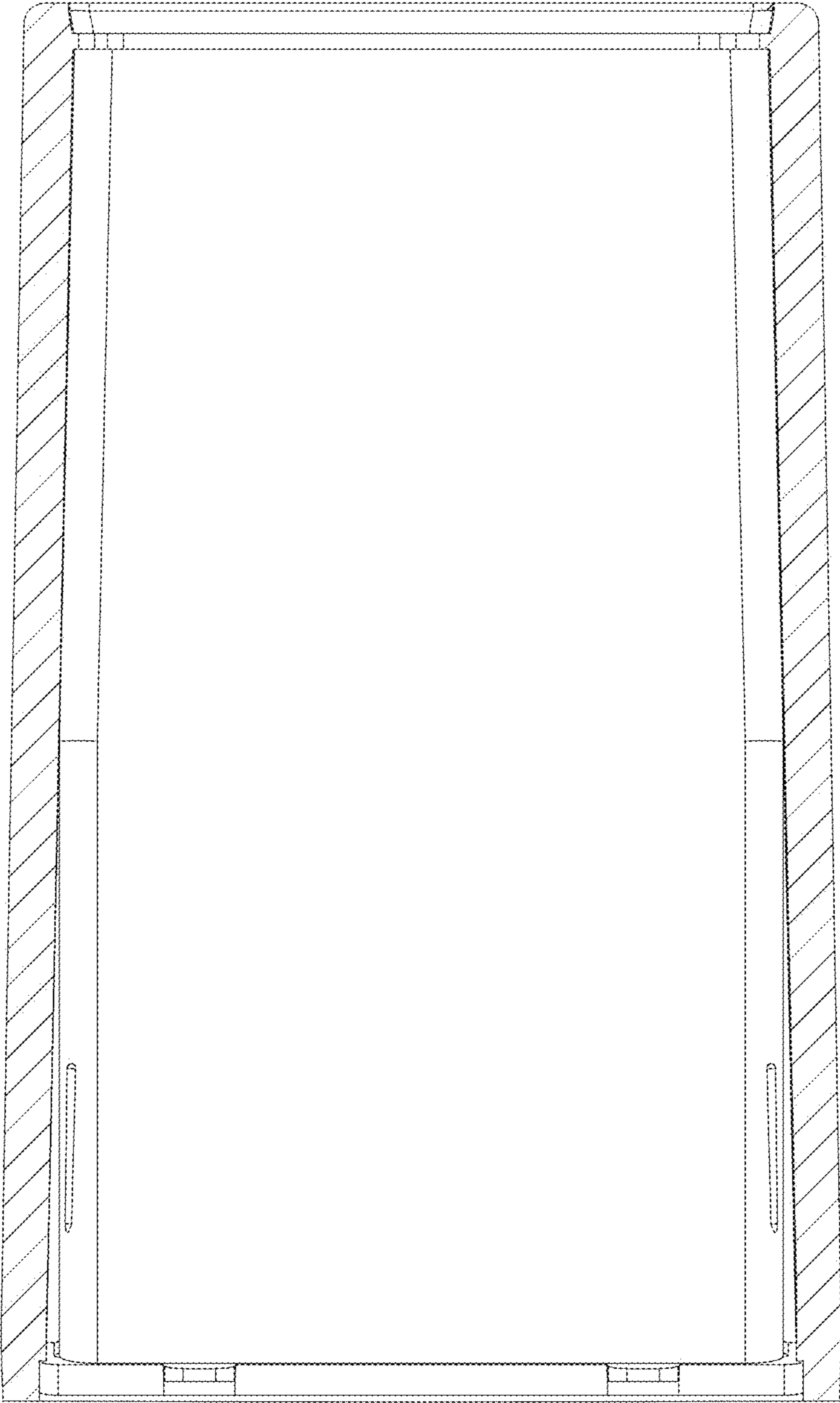


FIG. 15

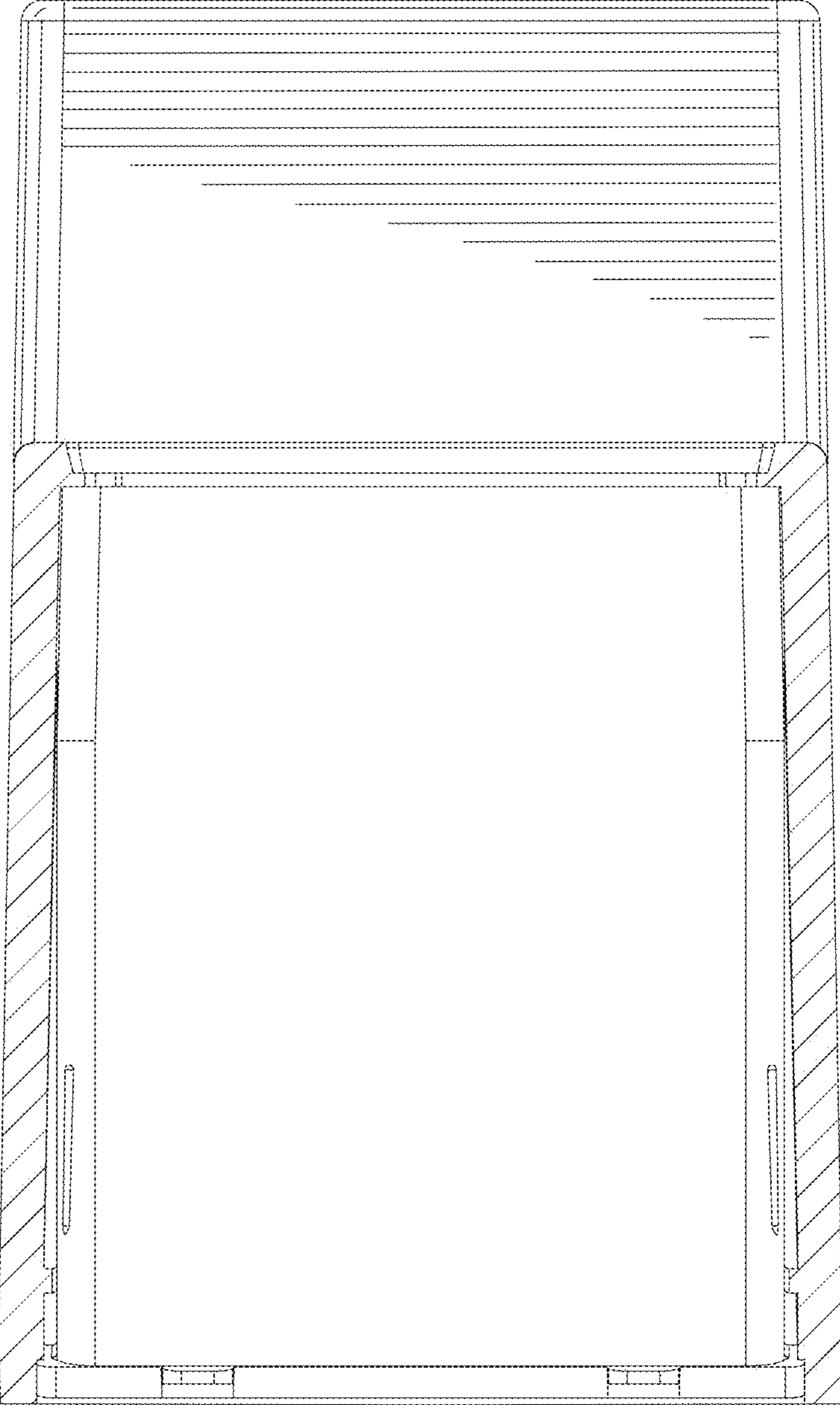


FIG. 16

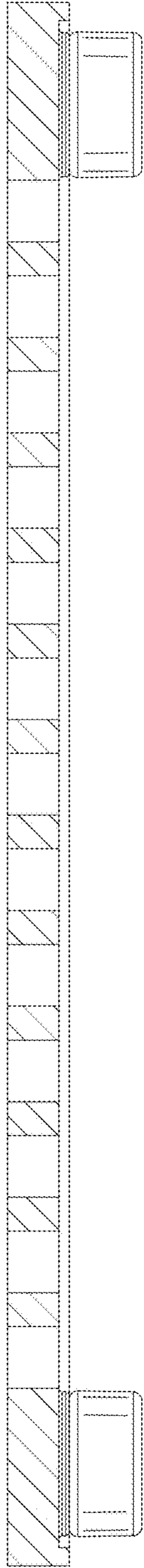


FIG. 17

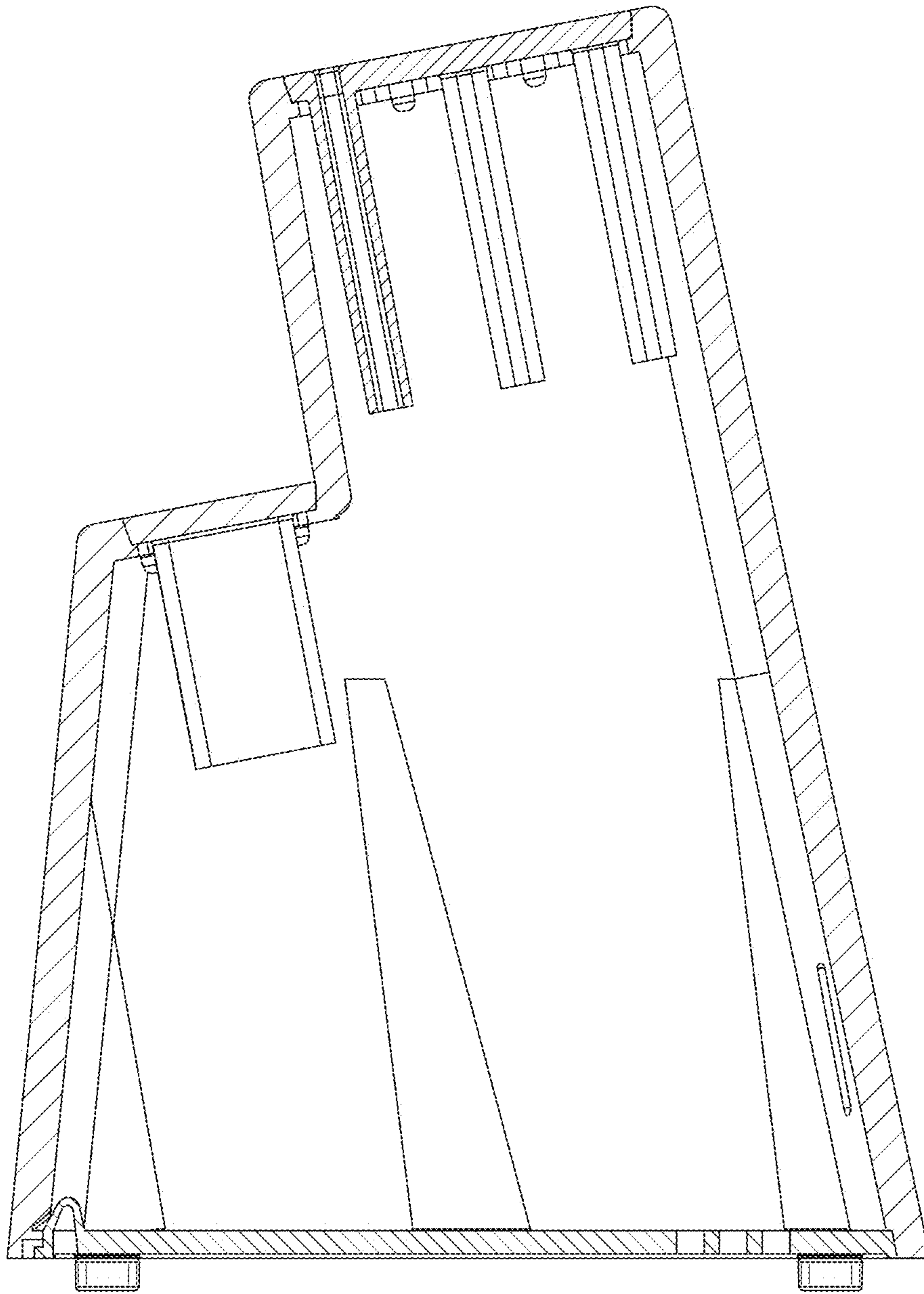


FIG. 18