

US00D838553S

(12) **United States Design Patent** (10) **Patent No.:** **US D838,553 S**  
**Kraemer** (45) **Date of Patent:** **\*\* \*Jan. 22, 2019**

(54) **HOLDER**

(71) Applicant: **InterDesign, Inc.**, Solon, OH (US)

(72) Inventor: **Kevin Francis Kraemer**, Cuyahoga Falls, OH (US)

(73) Assignee: **InterDesign, Inc.**, Solon, OH (US)

(\*) Notice: This patent is subject to a terminal disclaimer.

(\*\*) Term: **15 Years**

(21) Appl. No.: **29/660,277**

(22) Filed: **Aug. 20, 2018**

**Related U.S. Application Data**

(60) Division of application No. 29/614,789, filed on Aug. 23, 2017, now Pat. No. Des. 826,061, which is a continuation of application No. 29/551,071, filed on Jan. 11, 2016, now Pat. No. Des. 799,219, which is a continuation of application No. 29/503,223, filed on Sep. 24, 2014, now Pat. No. Des. 750,443, which is a continuation of application No. 29/480,138, filed on Jan. 23, 2014, which is a continuation of application (Continued)

(51) **LOC (11) Cl.** ..... **07-01**

(52) **U.S. Cl.**  
USPC ..... **D7/611**

(58) **Field of Classification Search**  
USPC ..... D7/611; D9/757; D15/89, 90; 220/508; 62/457.1-457.9; 206/541, 521, 521.1, 206/763; 249/70, 119, 126, 127, 129  
CPC ... F25D 11/00; F25C 1/00; B65D 1/00; B65D 81/00

See application file for complete search history.

(56) **References Cited**

U.S. PATENT DOCUMENTS

D97,216 S \* 10/1935 Vernin ..... D15/135  
D101,892 S 11/1936 Seltzer  
(Continued)

FOREIGN PATENT DOCUMENTS

CN 303010686 11/2014  
CN 303768748 8/2016  
(Continued)

OTHER PUBLICATIONS

[https://www.amazon.com/mDesign-Stackable-Container-Organizer-Refrigerator/dp/B01MD19WXD/ref=sr\\_1\\_18?ie=UTF8&qid=1534455510&sr=8-18&keywords=egg+holder](https://www.amazon.com/mDesign-Stackable-Container-Organizer-Refrigerator/dp/B01MD19WXD/ref=sr_1_18?ie=UTF8&qid=1534455510&sr=8-18&keywords=egg+holder).  
[http://i.ebayimg.com/t/Egg-Holder-Refrigerator-Storage-Lid-Fridge-Freezer-Organizer-Bin-Container-Tray-/00/s/OTQ4WDkzMQ==/z/hB0AAOSwe7BWuAJQ/\\$\\_57.JPG](http://i.ebayimg.com/t/Egg-Holder-Refrigerator-Storage-Lid-Fridge-Freezer-Organizer-Bin-Container-Tray-/00/s/OTQ4WDkzMQ==/z/hB0AAOSwe7BWuAJQ/$_57.JPG).  
<https://www.eggcartons.com/Plastic-12-Egg-Labeled-Vintage-Egg-Carton-p/fhp-43pet-1.htm>.

*Primary Examiner* — David G Muller  
*Assistant Examiner* — Nathan M Johnston  
(74) *Attorney, Agent, or Firm* — Calfee, Halter & Griswold LLP

(57) **CLAIM**

I claim the ornamental design for a holder, as shown and described.

**DESCRIPTION**

FIG. 1 is a front/right/top perspective view of a holder (a front/left/top perspective view would be a mirror image thereof);

(Continued)

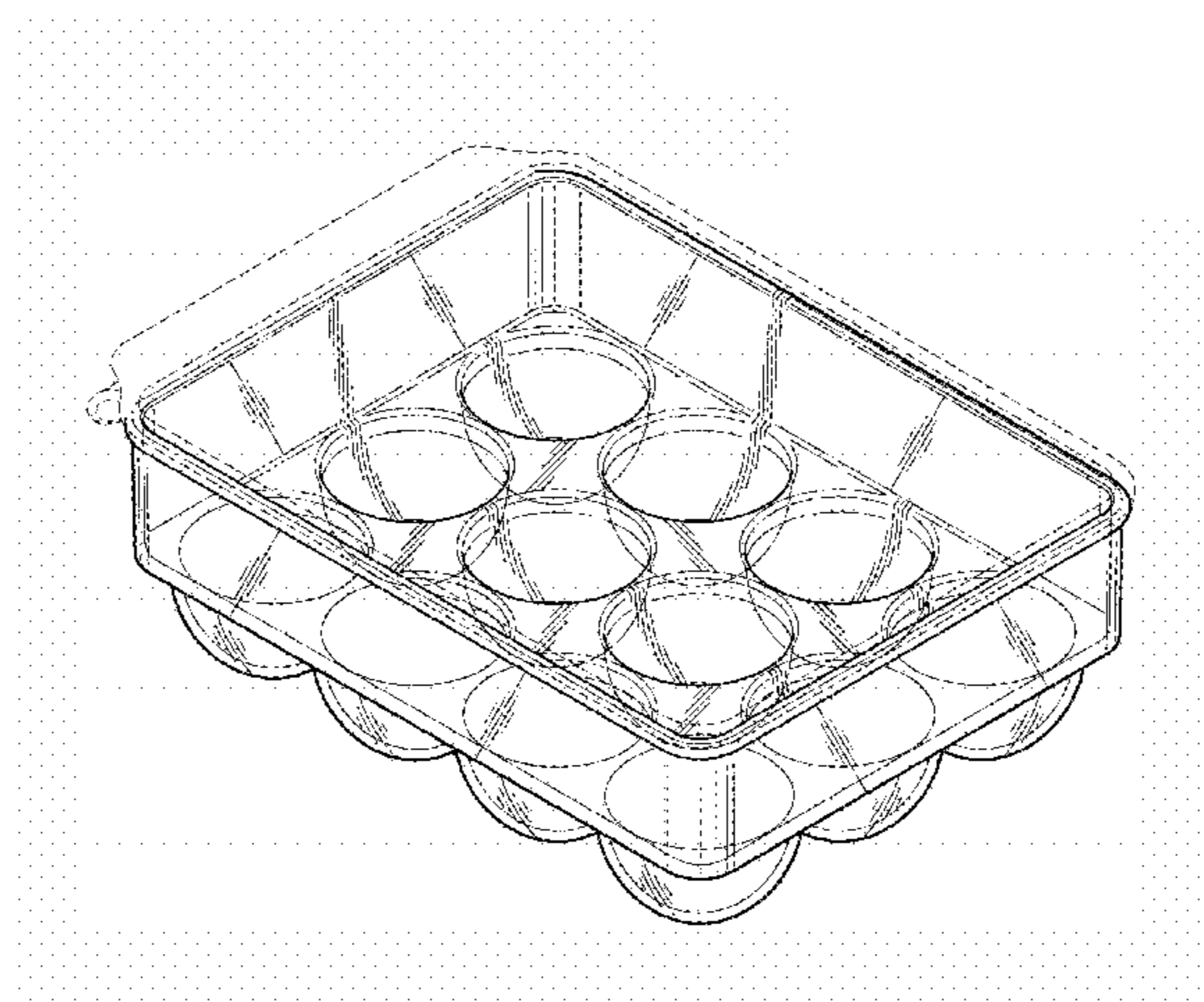


FIG. 2 is a rear/left/bottom perspective view thereof (a rear/right/bottom perspective view would be a mirror image thereof);

FIG. 3 is a front elevational view thereof;

FIG. 4 is a rear elevational view thereof;

FIG. 5 is a right side elevational view thereof;

FIG. 6 is a left side elevational view thereof;

FIG. 7 is a top plan view thereof; and,

FIG. 8 is a bottom plan view thereof.

The broken lines adjacent the contour lines represent the bounds of the claimed design, while all other broken lines depict environmental subject matter only and form no part of the claimed design. None of the broken lines form any part of the claimed design.

**1 Claim, 5 Drawing Sheets**

**Related U.S. Application Data**

No. 29/444,254, filed on Jan. 29, 2013, now Pat. No. Des. 698,612.

(56) **References Cited**

U.S. PATENT DOCUMENTS

2,154,194 A \* 4/1939 Benoit ..... B65D 85/32  
206/521.1  
D125,467 S 2/1941 Reamer  
D137,887 S 1/1944 Shulman  
D148,804 S 4/1946 Lewis et al.  
D159,157 S 4/1947 Koester  
D190,839 S \* 7/1961 Voigtmann ..... D15/90  
D197,093 S \* 12/1963 Reifers ..... D9/757  
3,184,133 A \* 5/1965 Boyd ..... B65D 85/324  
206/521.1  
3,217,961 A 11/1965 Hornbostel, Jr.  
3,285,491 A \* 11/1966 Bessett ..... B65D 85/324  
206/521.1  
3,298,594 A \* 1/1967 Makowski ..... B65D 85/324  
206/521.1  
D208,275 S \* 8/1967 Pearl ..... D9/757  
3,392,902 A \* 7/1968 Donovan ..... B65D 5/503  
206/521.1  
3,396,895 A \* 8/1968 Pearl ..... B65D 85/324  
206/521.1  
3,424,363 A \* 1/1969 Donovan ..... B65D 85/324  
206/521.1

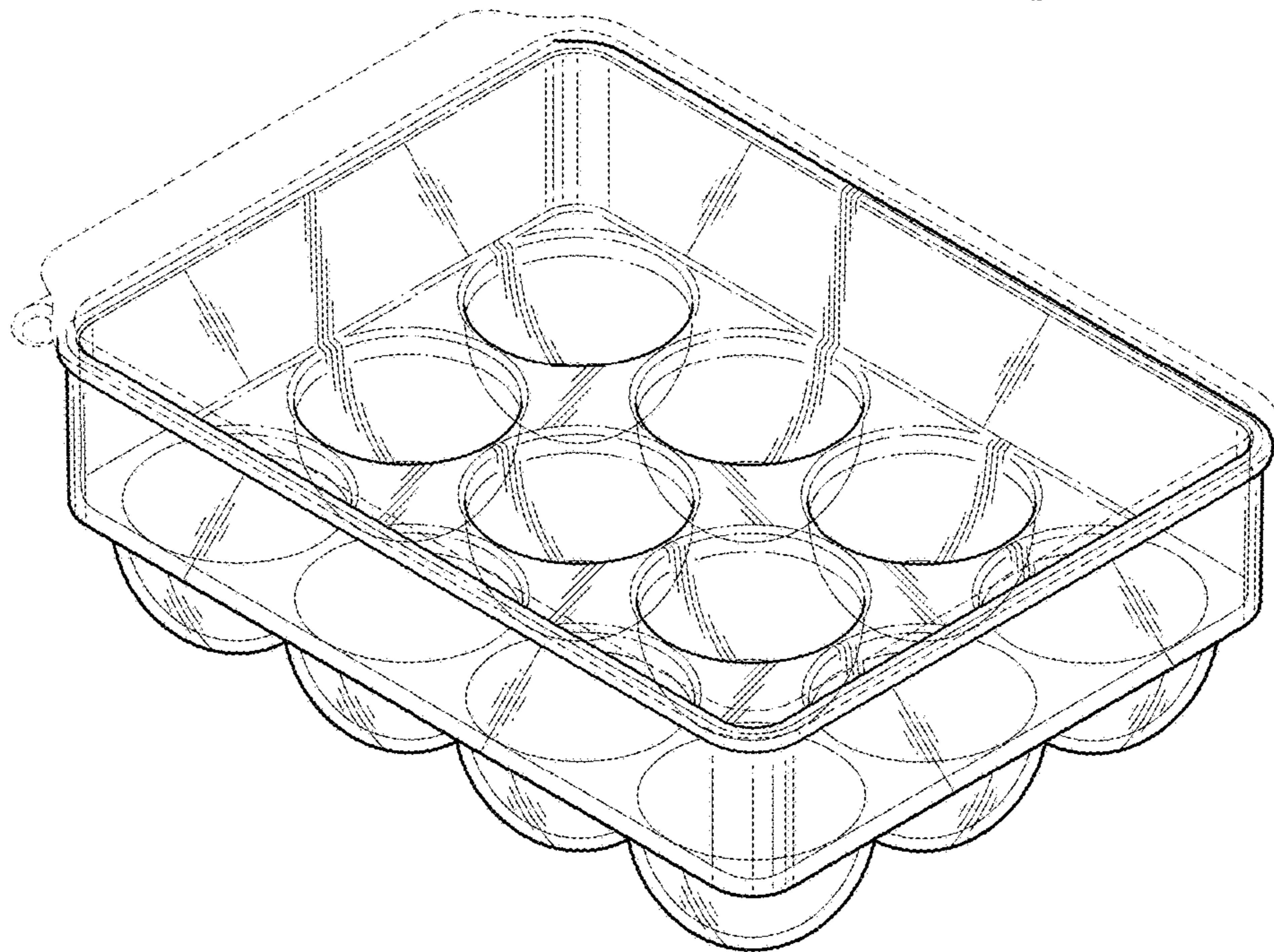
3,568,914 A \* 3/1971 Ahlmeyer ..... B65D 85/324  
206/521.1  
D222,828 S \* 1/1972 Giraudet ..... 206/521.1  
4,195,743 A \* 4/1980 Emery ..... B65D 1/36  
206/511  
D266,225 S 9/1982 Villotte  
4,352,427 A \* 10/1982 Lake ..... B65D 85/324  
206/497  
D282,147 S \* 1/1986 Mangla ..... D9/424  
4,625,907 A \* 12/1986 Mangla ..... B65D 85/324  
206/521.1  
D291,533 S \* 8/1987 Mangla ..... D9/757  
D292,802 S \* 11/1987 Fails ..... D15/90  
4,742,953 A \* 5/1988 Jacobs ..... B65D 85/324  
206/521.1  
4,872,608 A \* 10/1989 Lake ..... B65D 85/324  
206/521.1  
D368,414 S \* 4/1996 VanHalteren ..... D7/675  
D385,780 S \* 11/1997 Krupa ..... D9/757  
D438,792 S \* 3/2001 Pero ..... D9/715  
D491,463 S \* 6/2004 Zelina ..... D9/757  
D513,019 S \* 12/2005 Lion ..... D15/90  
D520,377 S \* 5/2006 Beese ..... D9/757  
7,258,234 B2 8/2007 Aardema et al.  
D583,659 S \* 12/2008 Lyon ..... D9/737  
D586,830 S \* 2/2009 de Groote ..... D15/90  
D587,109 S \* 2/2009 Lyon ..... D9/737  
D632,974 S \* 2/2011 Dijkstra ..... D9/757  
D656,843 S \* 4/2012 Schleining ..... D9/757  
D659,551 S 5/2012 Ramirez et al.  
D676,470 S \* 2/2013 Norin ..... D15/90  
D689,376 S 9/2013 Von der Ahe  
D698,612 S 2/2014 Kraemer  
D724,900 S 3/2015 Kraemer  
D731,702 S 6/2015 Ye  
D735,585 S \* 8/2015 Tayara ..... D9/757  
D750,443 S 3/2016 Kraemer  
D761,127 S 7/2016 Sellari et al.  
D766,663 S 9/2016 Bergeron et al.  
D778,176 S 2/2017 Long  
D804,324 S \* 12/2017 Tayara ..... D9/757  
D820,690 S 6/2018 Canuto  
2004/0075038 A1 \* 4/2004 Hang ..... F25C 1/243  
249/127  
2010/0191677 A1 \* 7/2010 Honig ..... A47J 29/06  
705/500  
2014/0137575 A1 \* 5/2014 Guerrero ..... A23B 5/04  
62/64

FOREIGN PATENT DOCUMENTS

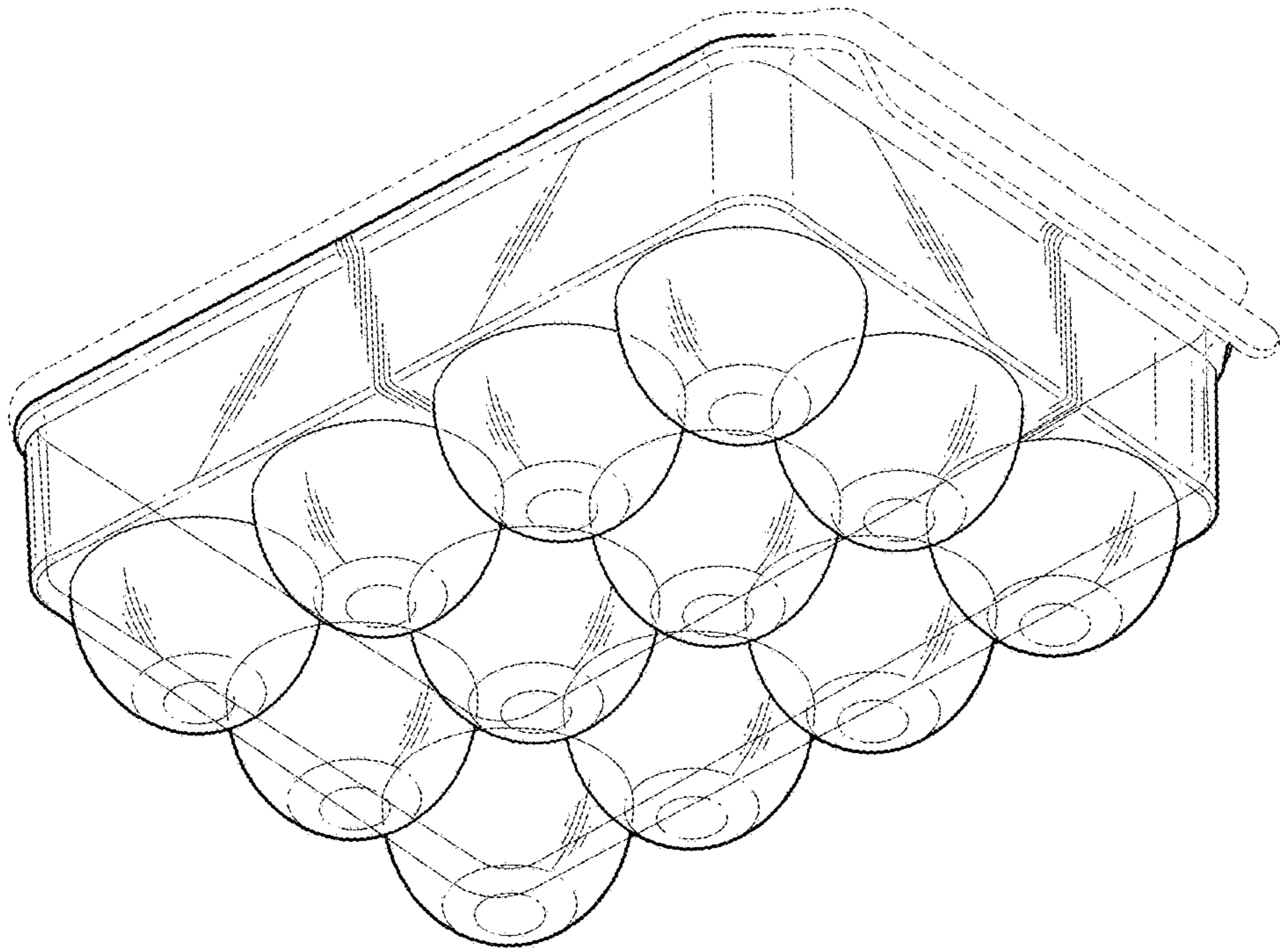
CN 304087127 3/2017  
EM 002446625-0001 4/2014

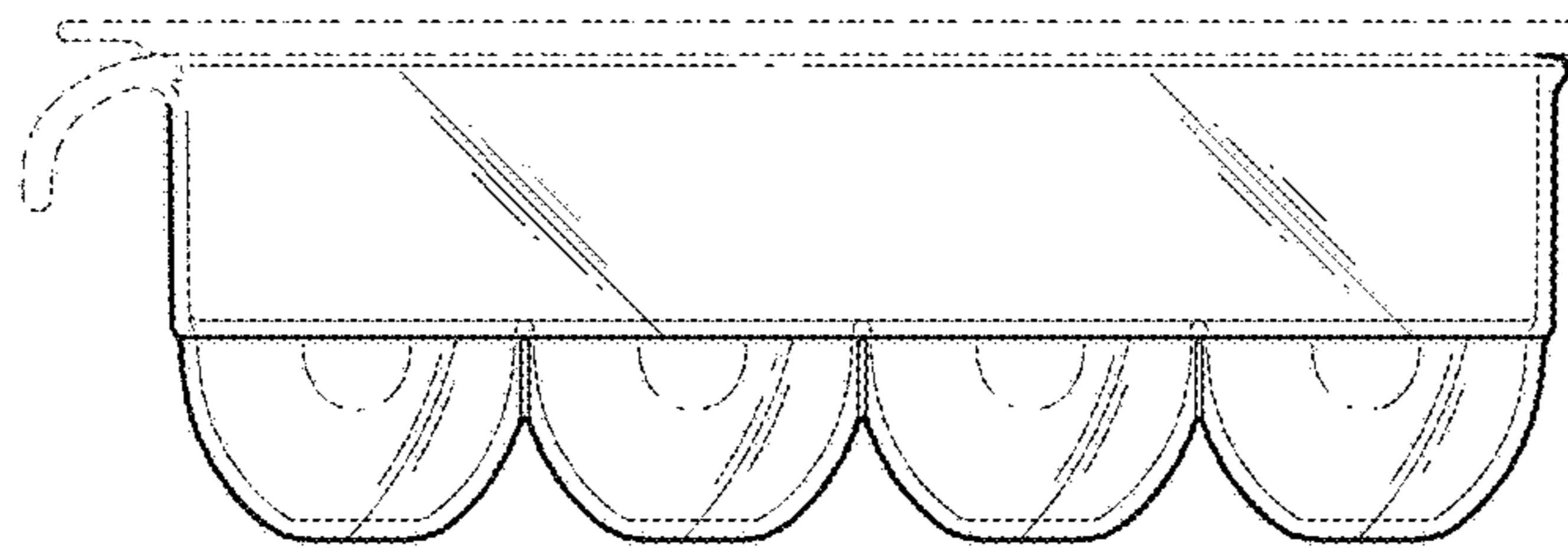
\* cited by examiner

**FIG. 1**

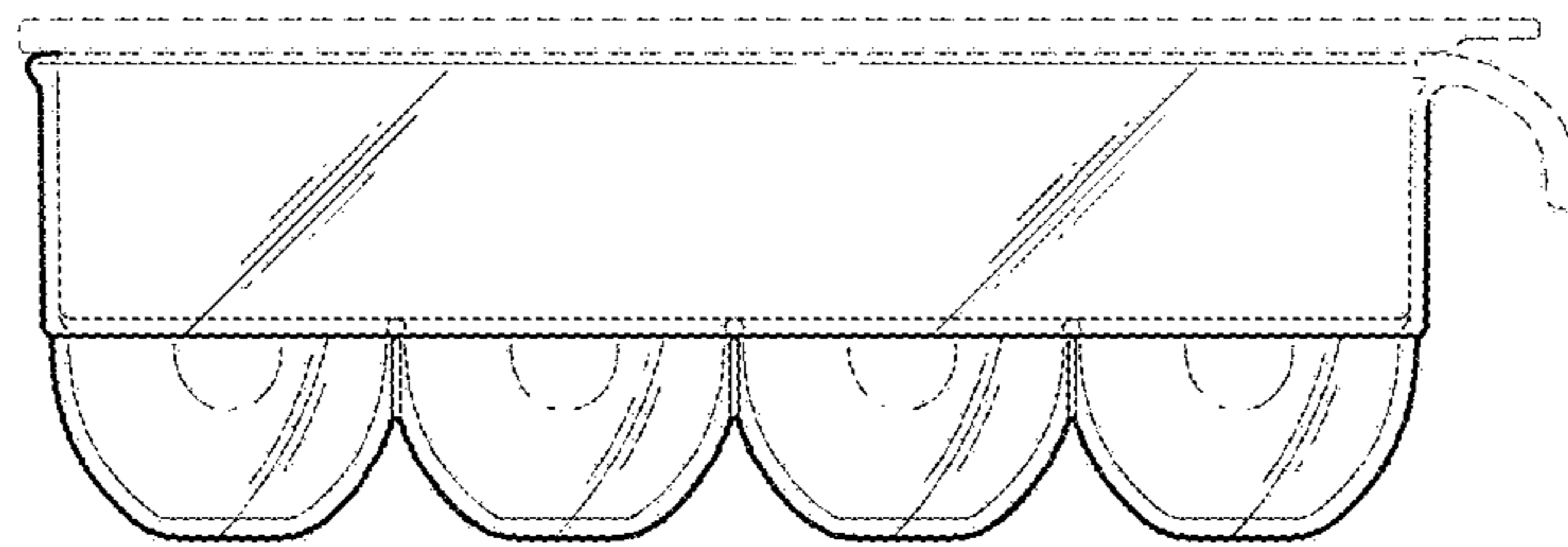


*FIG. 2*

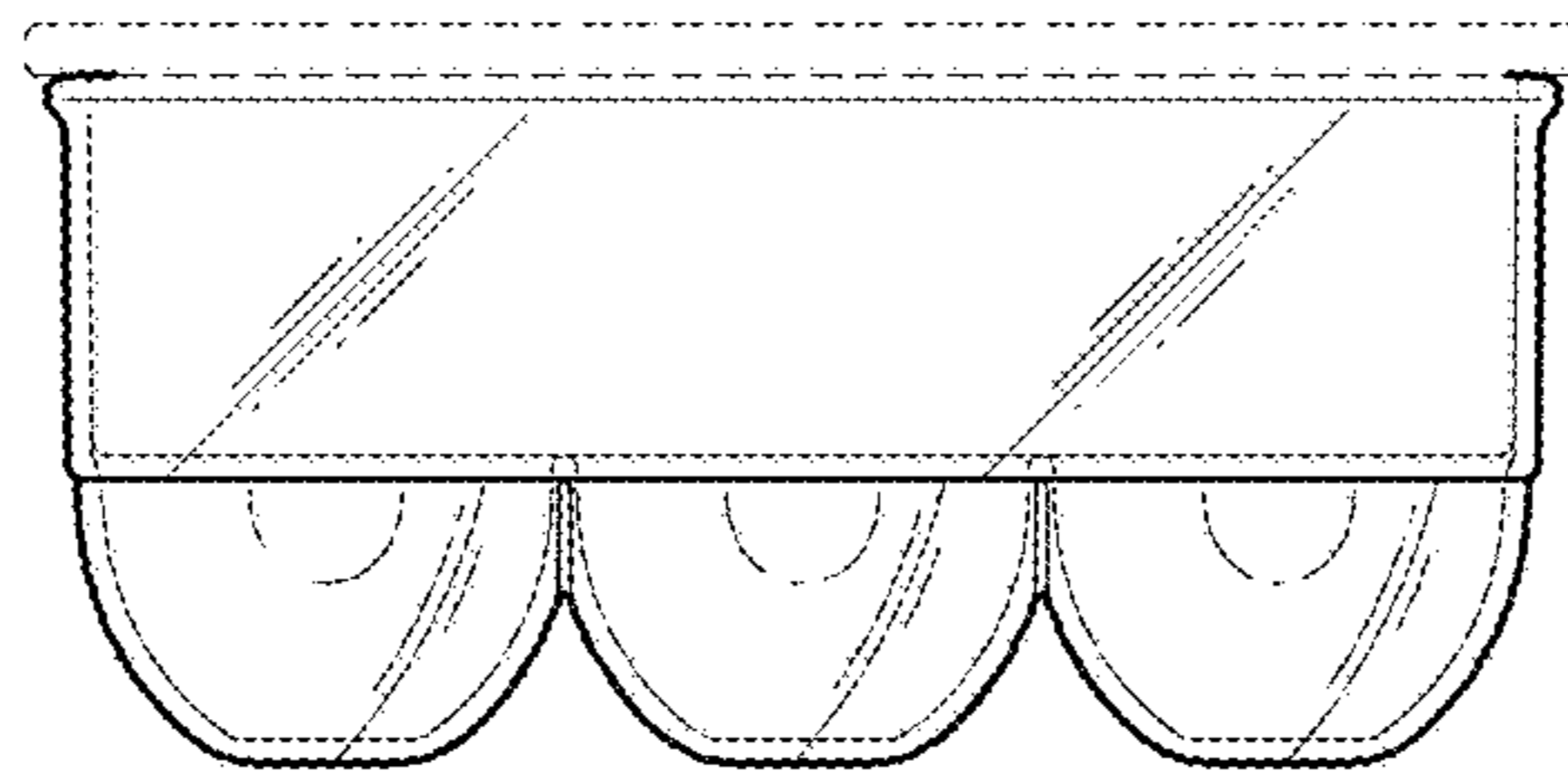




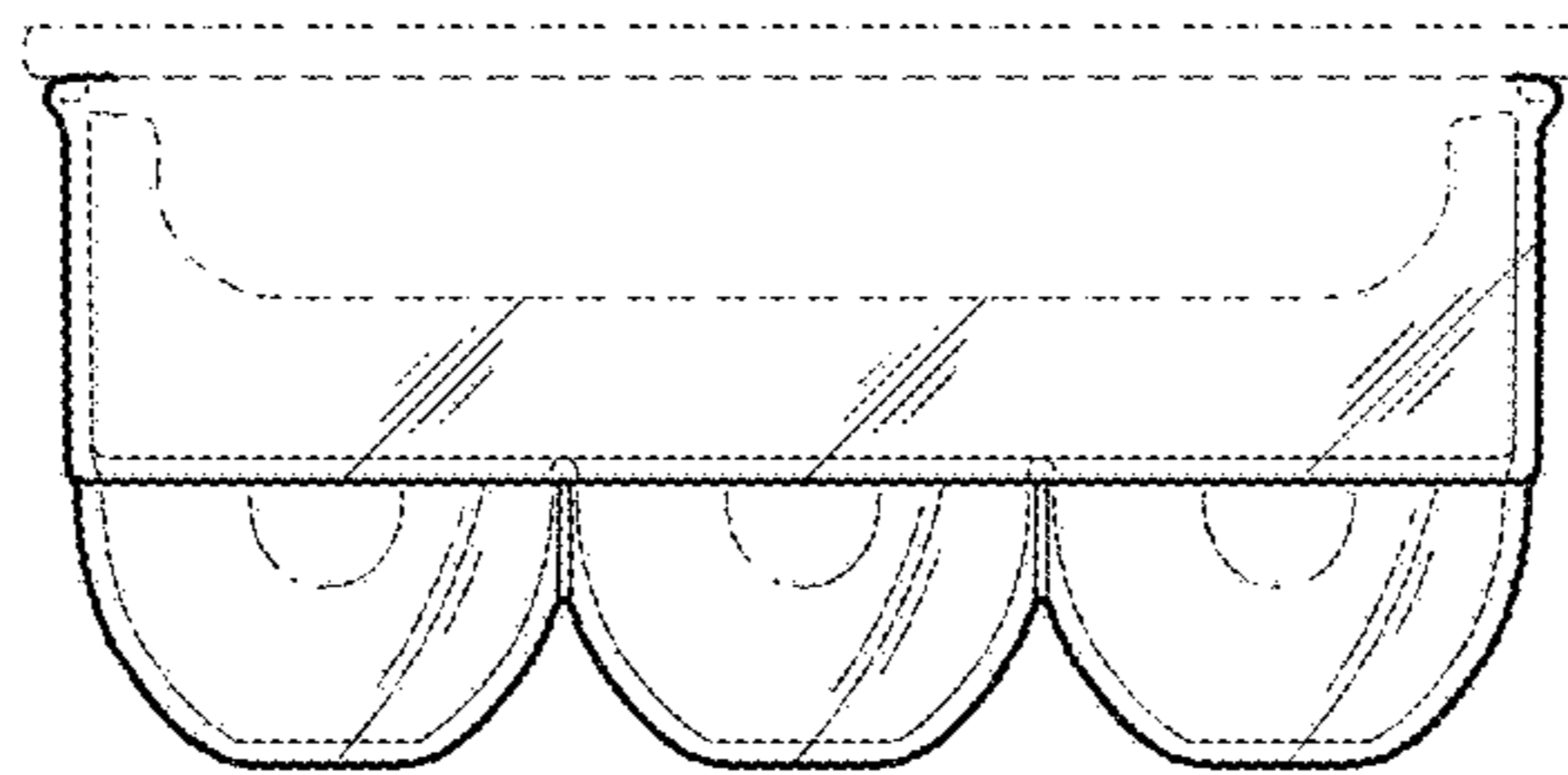
**FIG. 3**



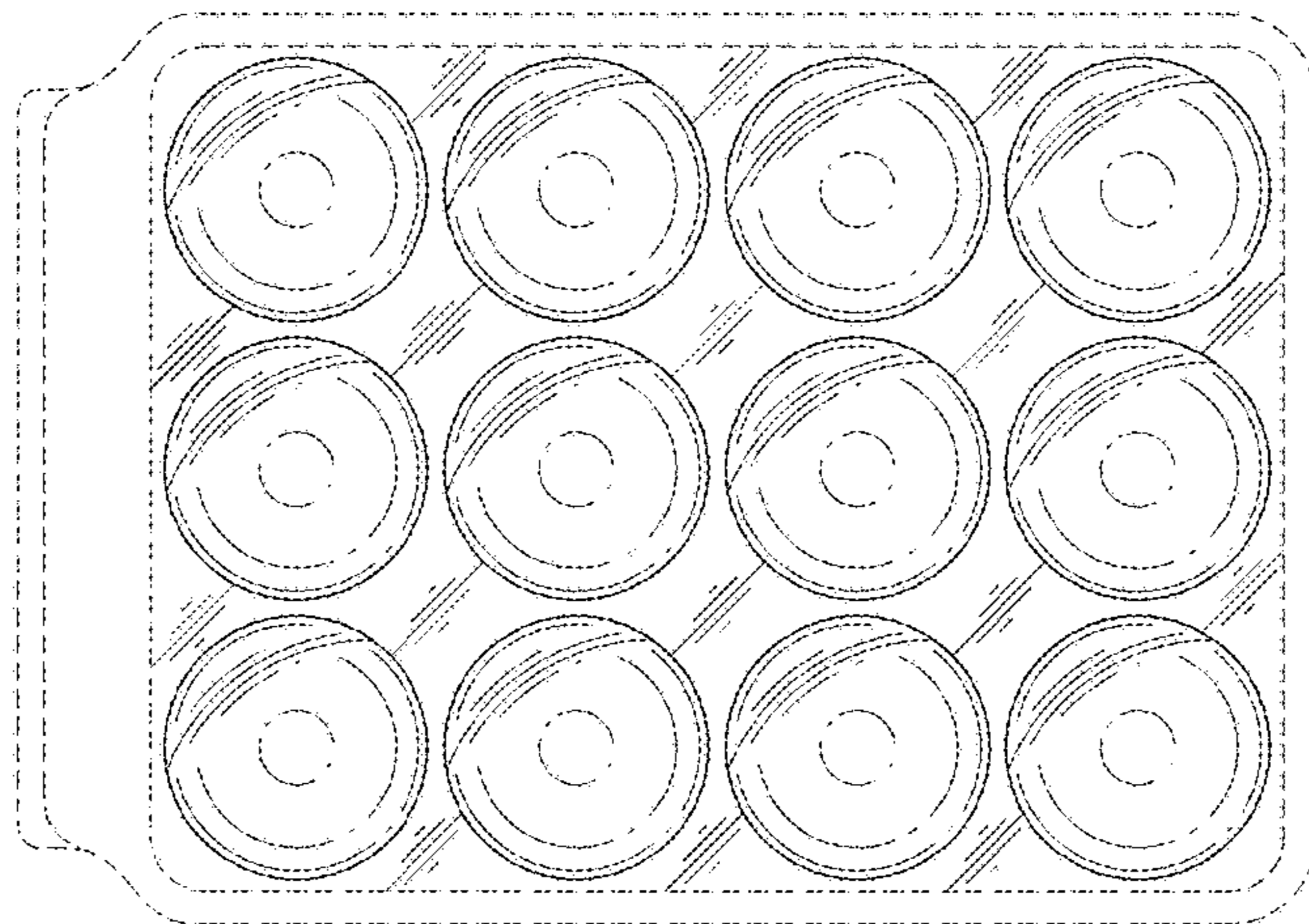
**FIG. 4**



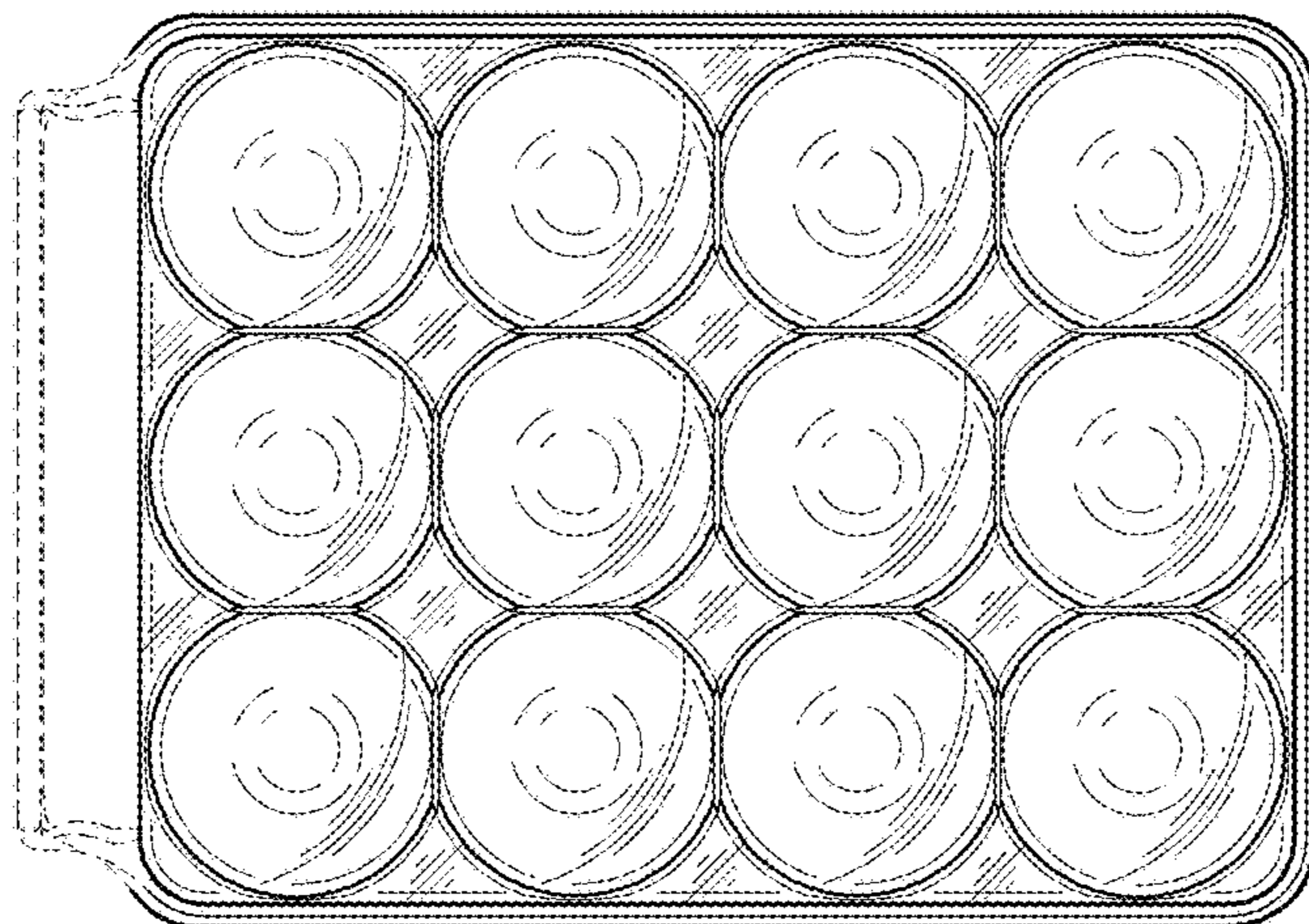
**FIG. 5**



**FIG. 6**



**FIG. 7**



**FIG. 8**