



US00D838552S

(12) **United States Design Patent** (10) **Patent No.:** **US D838,552 S**
Biber (45) **Date of Patent:** **** Jan. 22, 2019**

(54) **NESTING DINNERWARE**
(71) Applicant: **Lifetime Brands, Inc.**, Garden City, NY (US)
(72) Inventor: **Hugh William Biber**, New York, NY (US)
(73) Assignee: **Lifetime Brands, Inc.**, Garden City, NY (US)
(**) Term: **15 Years**
(21) Appl. No.: **29/580,220**
(22) Filed: **Oct. 6, 2016**
(51) **LOC (11) Cl.** **07-01**
(52) **U.S. Cl.**
USPC **D7/584**
(58) **Field of Classification Search**
USPC D9/744; 206/514; D7/584, 523
See application file for complete search history.

D695,615 S * 12/2013 Rapparini D9/428
D717,607 S * 11/2014 Miller D7/587
D727,101 S * 4/2015 Oas D7/523
D750,481 S * 3/2016 Rapparini D9/500
D750,482 S * 3/2016 Rapparini D9/500
D750,938 S * 3/2016 Thun D7/523
D763,626 S * 8/2016 Westrick D7/584
D773,250 S * 12/2016 Miller D7/523
D793,809 S * 8/2017 Bodum D7/509
D803,001 S * 11/2017 Bodum D7/523
D813,606 S * 3/2018 O'Nan D7/532
2013/0213971 A1* 8/2013 Fallas A47G 19/2205
220/503
2017/0081078 A1* 3/2017 Maple A47G 19/02
2017/0188729 A1* 7/2017 Fenelon A47G 19/2205

* cited by examiner

Primary Examiner — Cynthia R Underwood
(74) *Attorney, Agent, or Firm* — Tutunjian & Bitetto, P.C.

(57) **CLAIM**

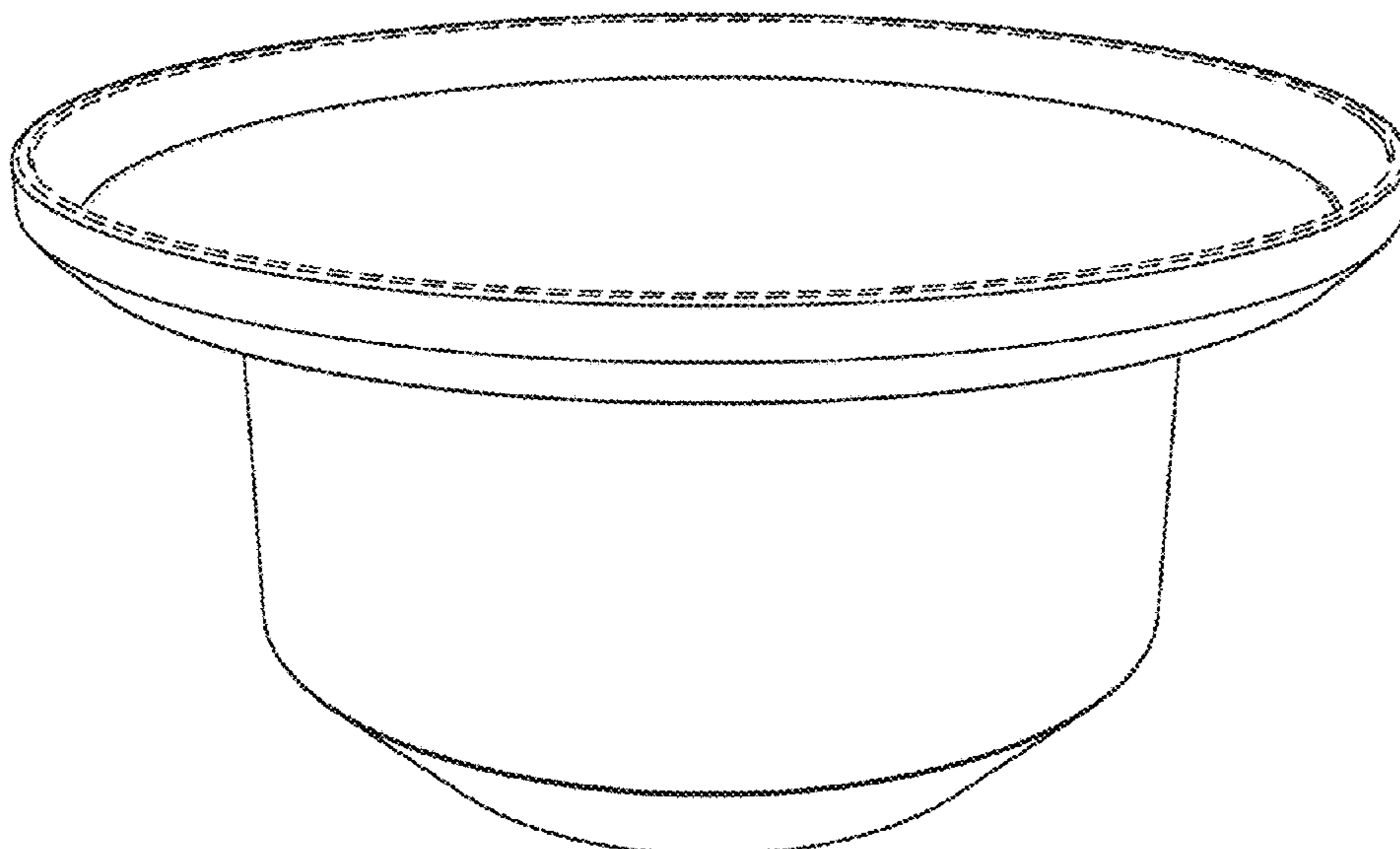
The ornamental design for nesting dinnerware, as shown and described.

DESCRIPTION

FIG. 1 is a perspective view of the nesting dinnerware showing my new design;
FIG. 2 is a right side view thereof;
FIG. 3 is a left side view thereof;
FIG. 4 is front view thereof;
FIG. 5 is a rear side view thereof;
FIG. 6 is a top view thereof; and,
FIG. 7 is a bottom view thereof.
The broken lines in the drawings depict environment that forms no part of the claimed design.

1 Claim, 5 Drawing Sheets

(56) **References Cited**
U.S. PATENT DOCUMENTS
4,096,947 A * 6/1978 Morse B65D 1/265
206/217
D257,931 S * 1/1981 Conti D7/584
D258,338 S * 2/1981 Gersin D7/584
D482,575 S * 11/2003 Mountain D7/586
D536,579 S * 2/2007 Roth B65D 21/0204
D7/523
D651,865 S * 1/2012 Smyers D7/584
D651,866 S * 1/2012 Smyers D7/584
D689,730 S * 9/2013 Goto D7/354
D692,760 S * 11/2013 Rapparini D9/425



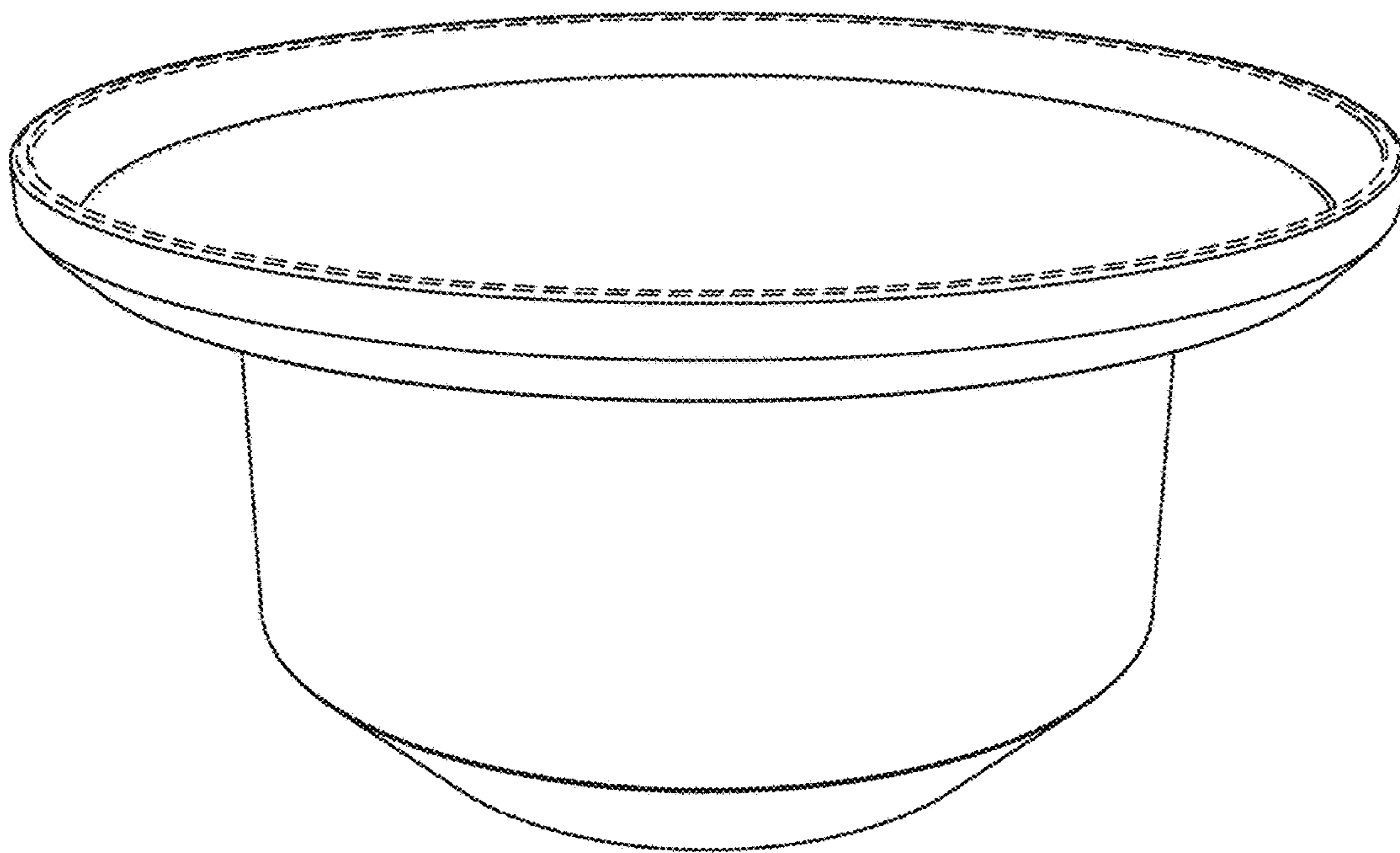


FIG. 1

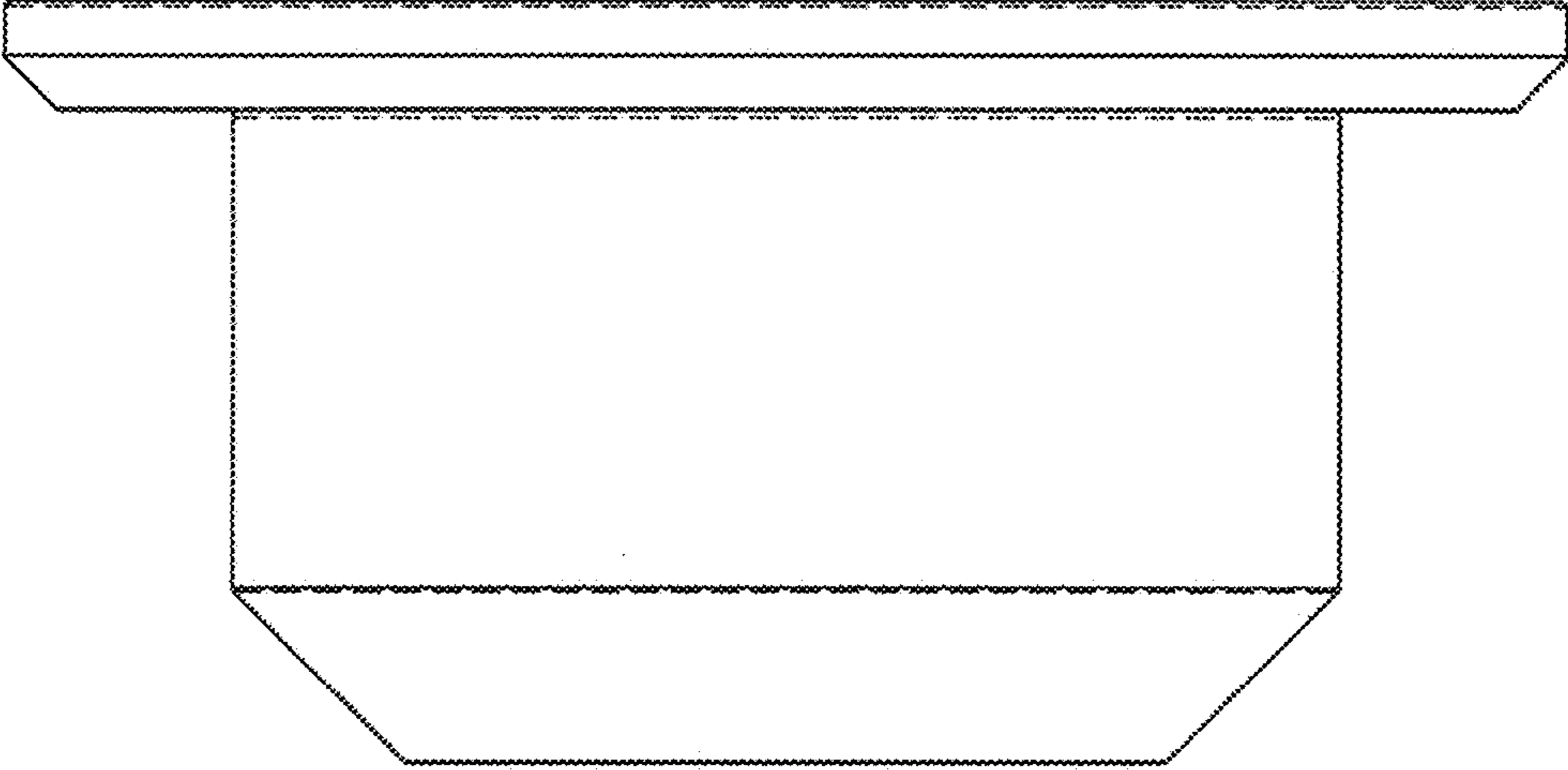


FIG. 2

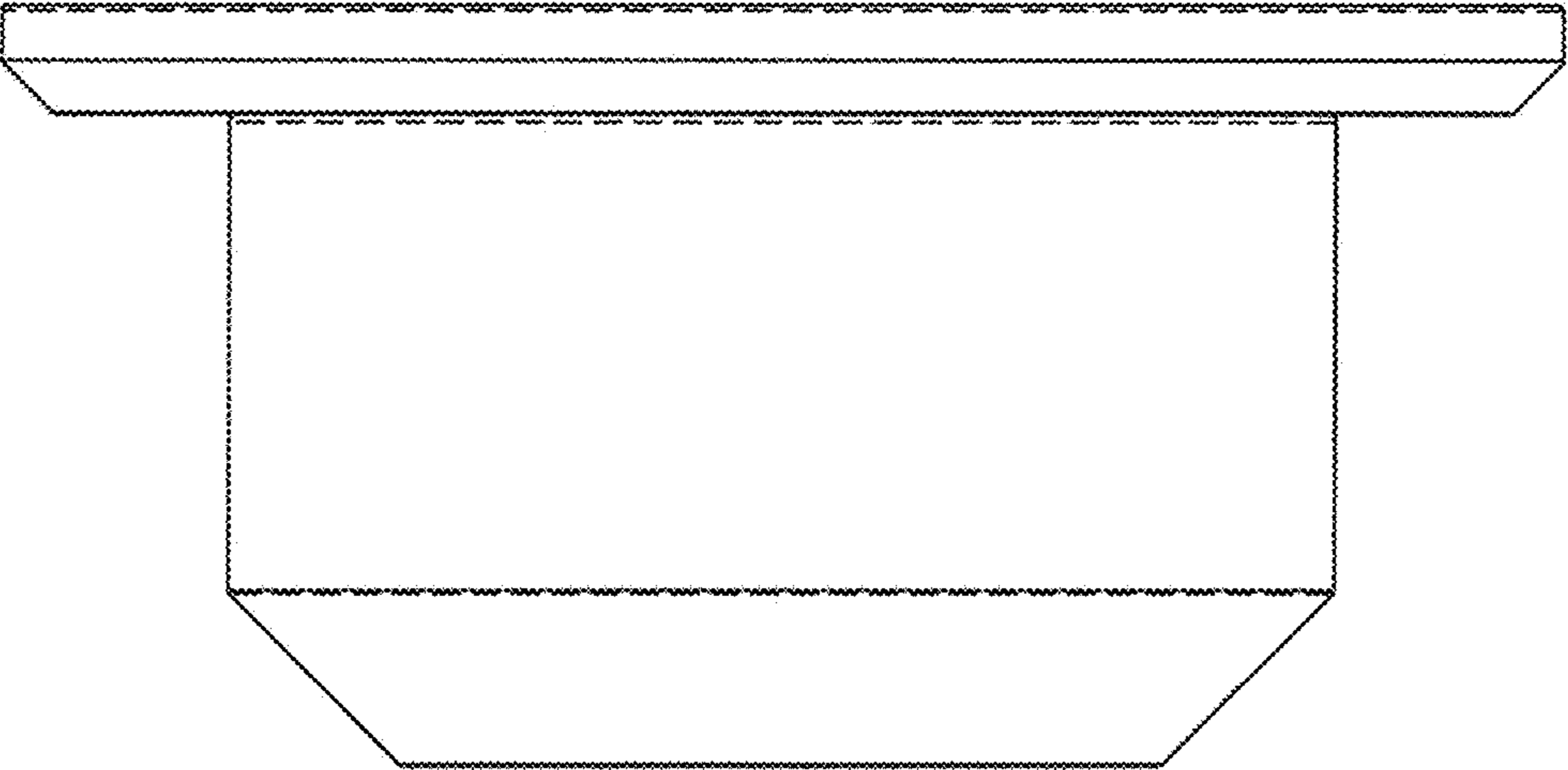


FIG. 3

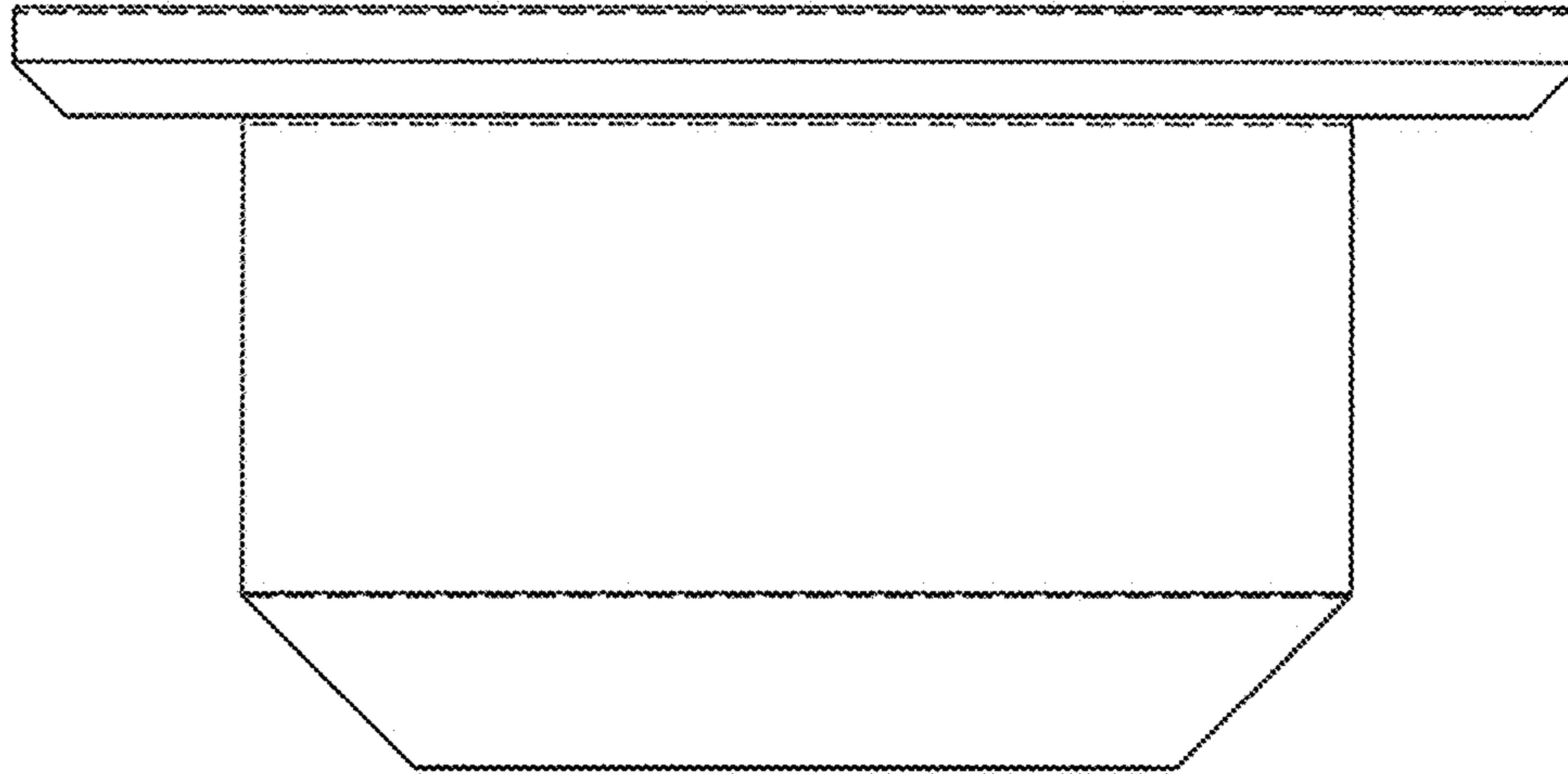


FIG. 4

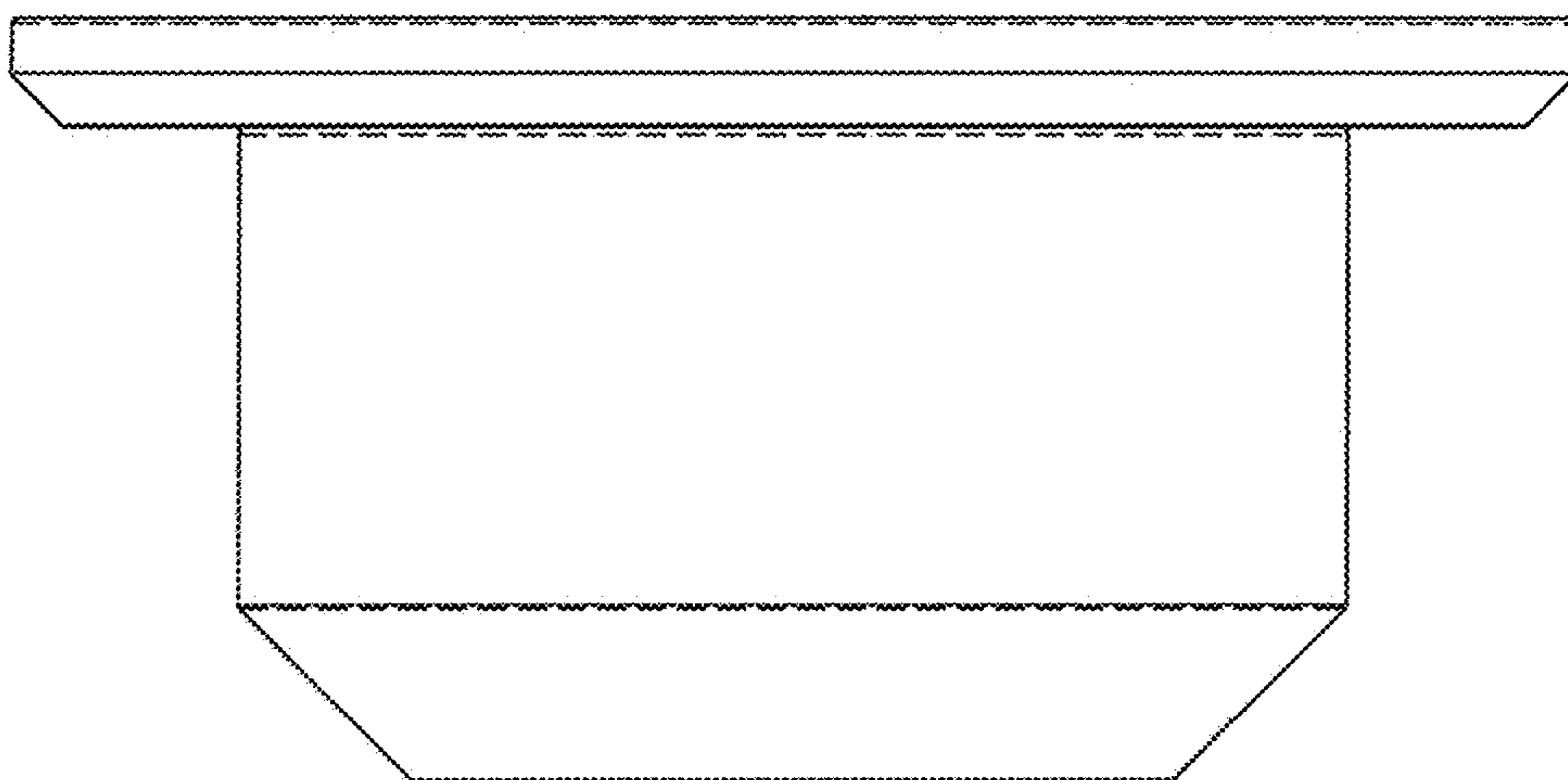


FIG. 5

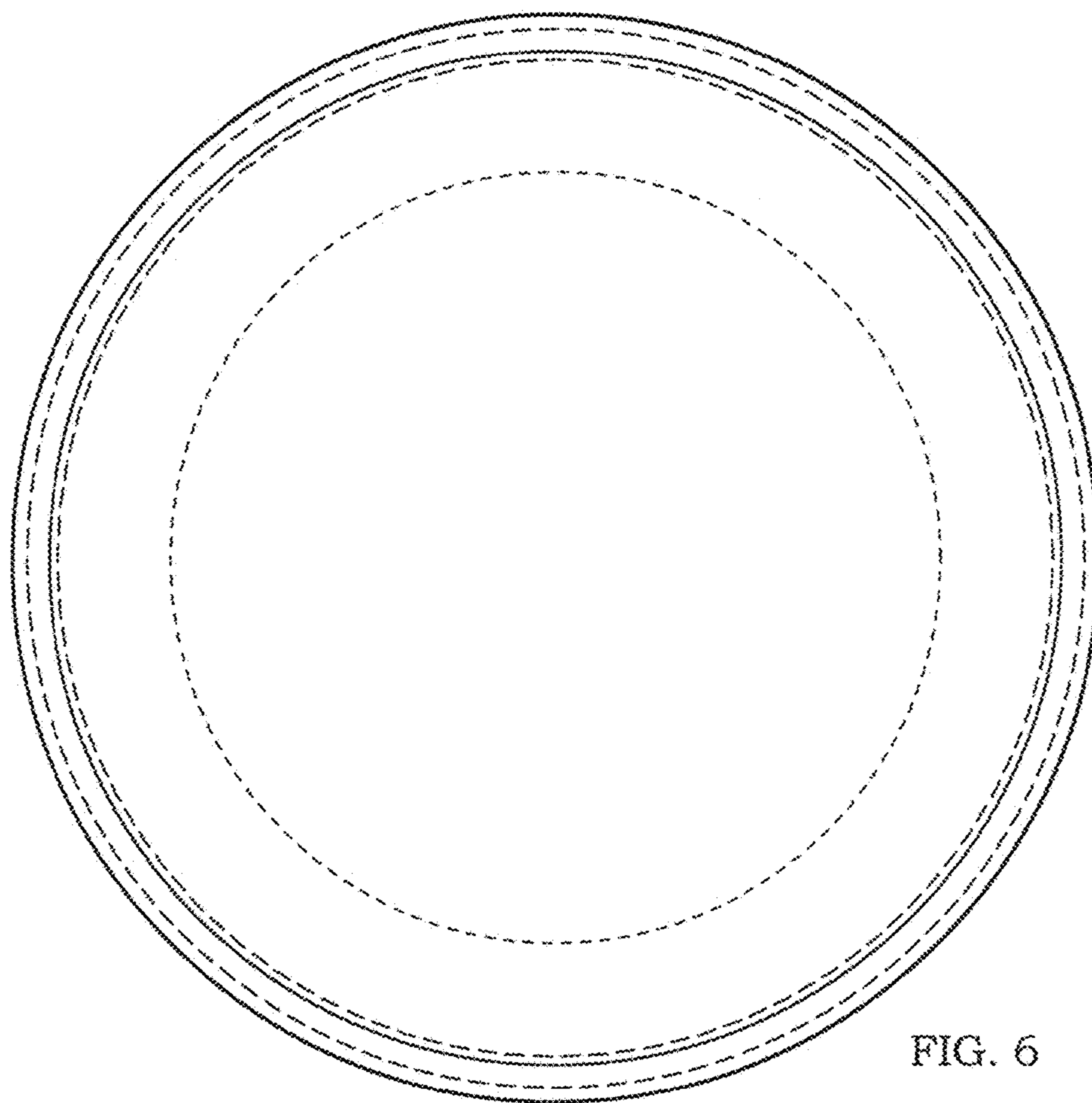


FIG. 6

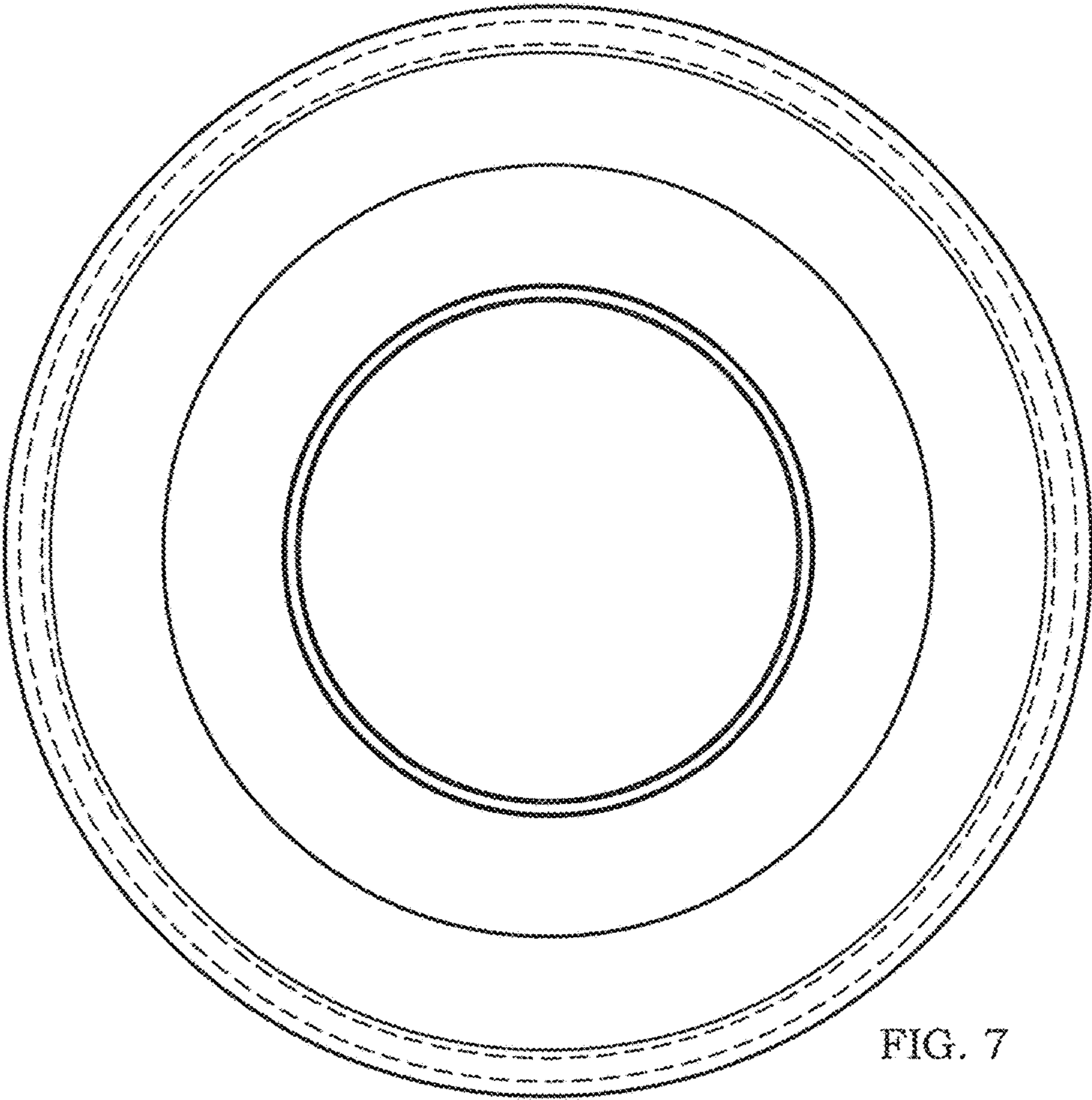


FIG. 7