



US00D838549S

(12) **United States Design Patent**
Gu

(10) **Patent No.:** **US D838,549 S**
(45) **Date of Patent:** **** Jan. 22, 2019**

- (54) **OUTDOOR WATER BOTTLE**
- (71) Applicant: **Ningbo Haishu Hairui Molding Co., Ltd., Zhejiang (CN)**
- (72) Inventor: **Shichun Gu, Zhejiang (CN)**
- (73) Assignee: **Ningbo Haishu Hairui Molding Co., Ltd., Zhejiang (CN)**
- (**) Term: **15 Years**
- (21) Appl. No.: **29/624,019**
- (22) Filed: **Oct. 30, 2017**
- (51) **LOC (11) Cl.** **07-01**
- (52) **U.S. Cl.**
USPC **D7/510; D7/511; D7/532; D7/536; D3/202**
- (58) **Field of Classification Search**
USPC **D7/507, 509, 510, 511, 523, 529, 531, D7/532, 533, 536, 392.1, 396.2, 300.2, D7/608, 387, 589; D9/500, 501, 502, D9/503, 530, 516, 453, 447, 531; 220/592.16, 592.17; D10/46.2; D24/197; D3/202**
CPC **A47G 19/2205; A47G 19/22; A47G 19/2266; B65D 47/066; A45F 3/16; A47J 41/02**
See application file for complete search history.

(56) **References Cited**
U.S. PATENT DOCUMENTS

D197,308 S *	1/1964	Aterges	D9/502
D293,535 S *	1/1988	Wiinblad	D7/536
D468,588 S *	1/2003	Norris	D7/510
D544,302 S *	6/2007	Gibbons	D7/510
D544,311 S *	6/2007	Goto	D7/608
D556,579 S *	12/2007	Goto	D9/516
D567,589 S *	4/2008	Freeman	D7/533
D619,460 S *	7/2010	Beckerman	D9/500

D621,219 S *	8/2010	McGreevy	D7/300
D646,572 S *	10/2011	Koeleman	D9/500
D663,209 S *	7/2012	Maas	D7/510
D729,569 S *	5/2015	Herbst	D7/392
D758,802 S *	6/2016	Bodum	D7/523
D789,148 S *	6/2017	Hornung	D7/507
D796,905 S *	9/2017	Kestenbaum	D7/510
D799,272 S *	10/2017	Pisarevsky	D7/511
D804,903 S *	12/2017	Mason	D7/510
D810,502 S *	2/2018	Joseph	D7/392.1
D814,855 S *	4/2018	Hammer	D7/392.1
D816,411 S *	5/2018	Stover	D7/510
D817,092 S *	5/2018	Pisarevsky	D7/507
D818,774 S *	5/2018	Stover	D7/510
D820,637 S *	6/2018	Davis	D7/392.1
D821,809 S *	7/2018	Rane	D7/396.2
D823,061 S *	7/2018	Murosky	D7/510
2012/0312832 A1 *	12/2012	Lane	B65D 47/066 220/833
2014/0048511 A1 *	2/2014	El-Saden	A45F 3/16 215/389
2016/0207672 A1 *	7/2016	Wong	B65D 43/0225

* cited by examiner

Primary Examiner — Marianne N Pandozzi
Assistant Examiner — Jae Liang
(74) *Attorney, Agent, or Firm* — JCIPRNET

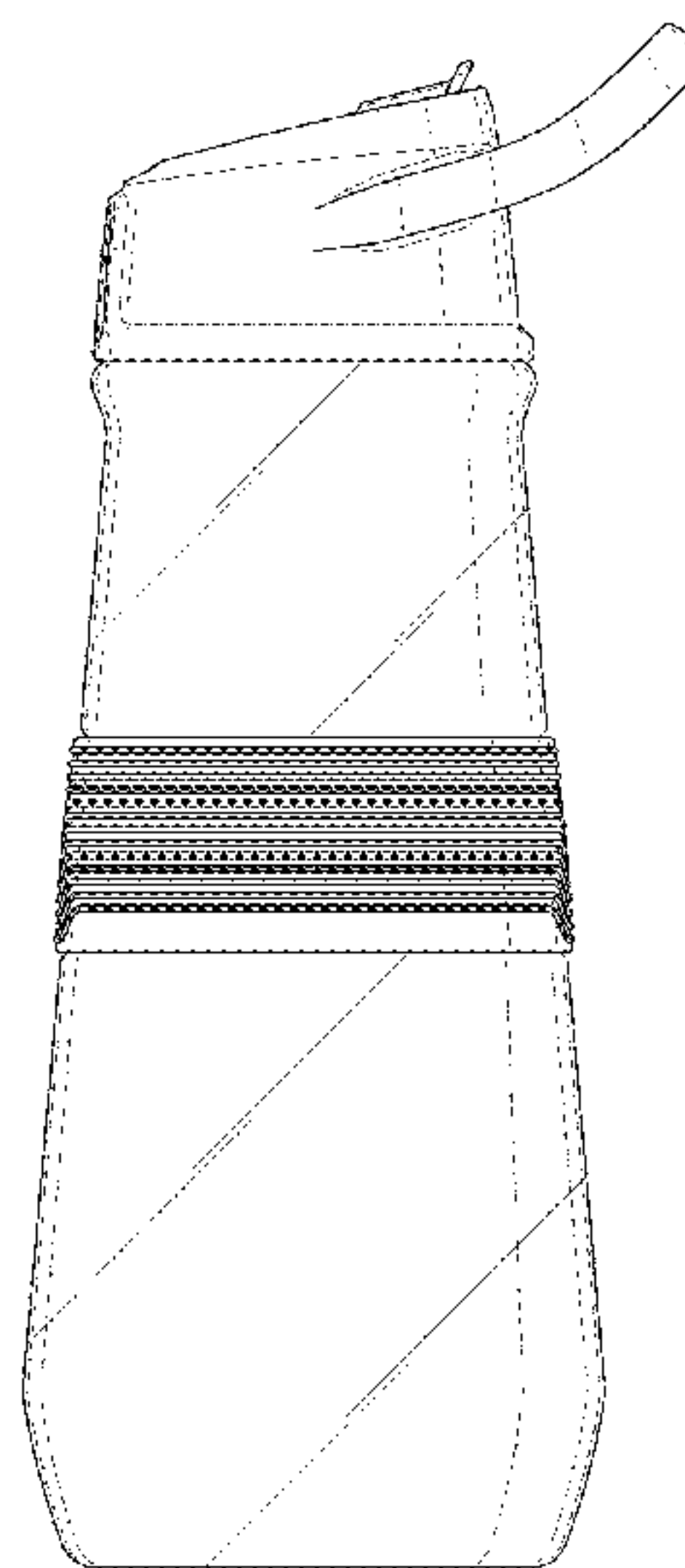
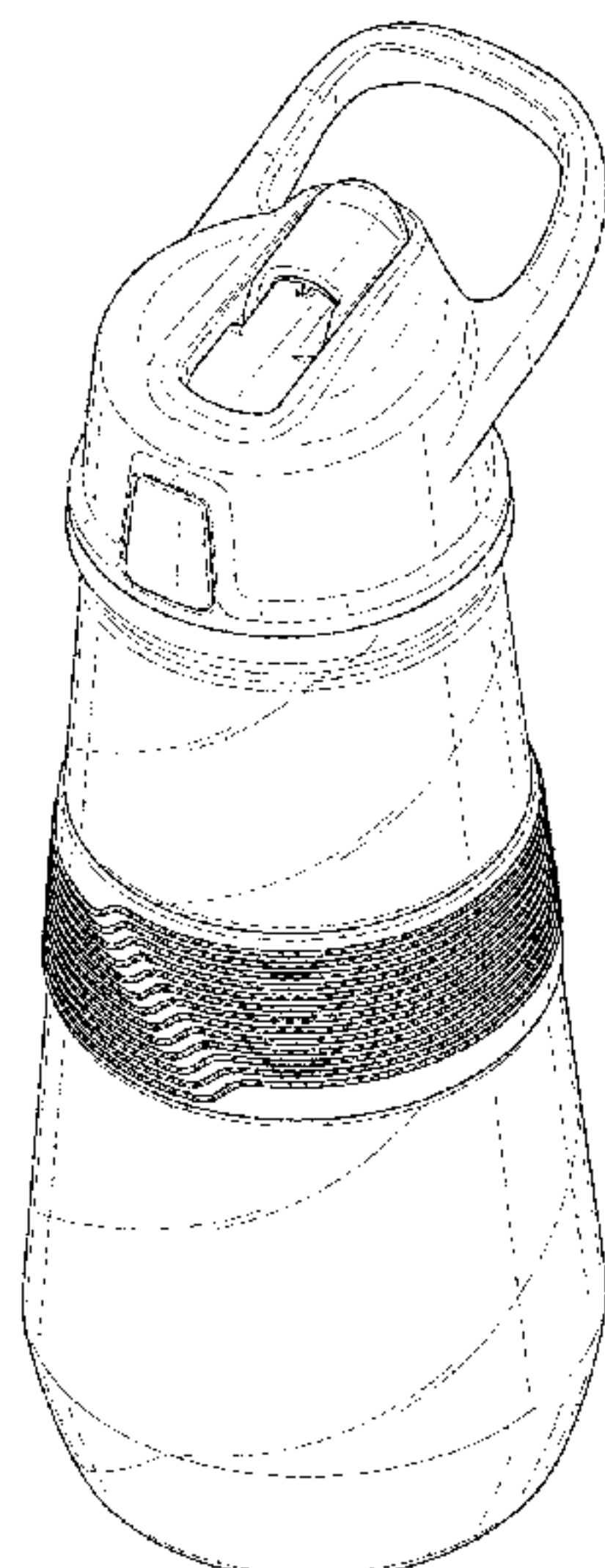
(57) **CLAIM**

The ornamental design for an outdoor water bottle, as shown and described.

DESCRIPTION

FIG. 1 is a perspective view of an outdoor water bottle showing my new design;
FIG. 2 is a front view thereof;
FIG. 3 is a rear view thereof;
FIG. 4 is a left side view thereof;
FIG. 5 is a right side view thereof;
FIG. 6 is an enlarged top view thereof; and,
FIG. 7 is an enlarged bottom view thereof.

1 Claim, 7 Drawing Sheets



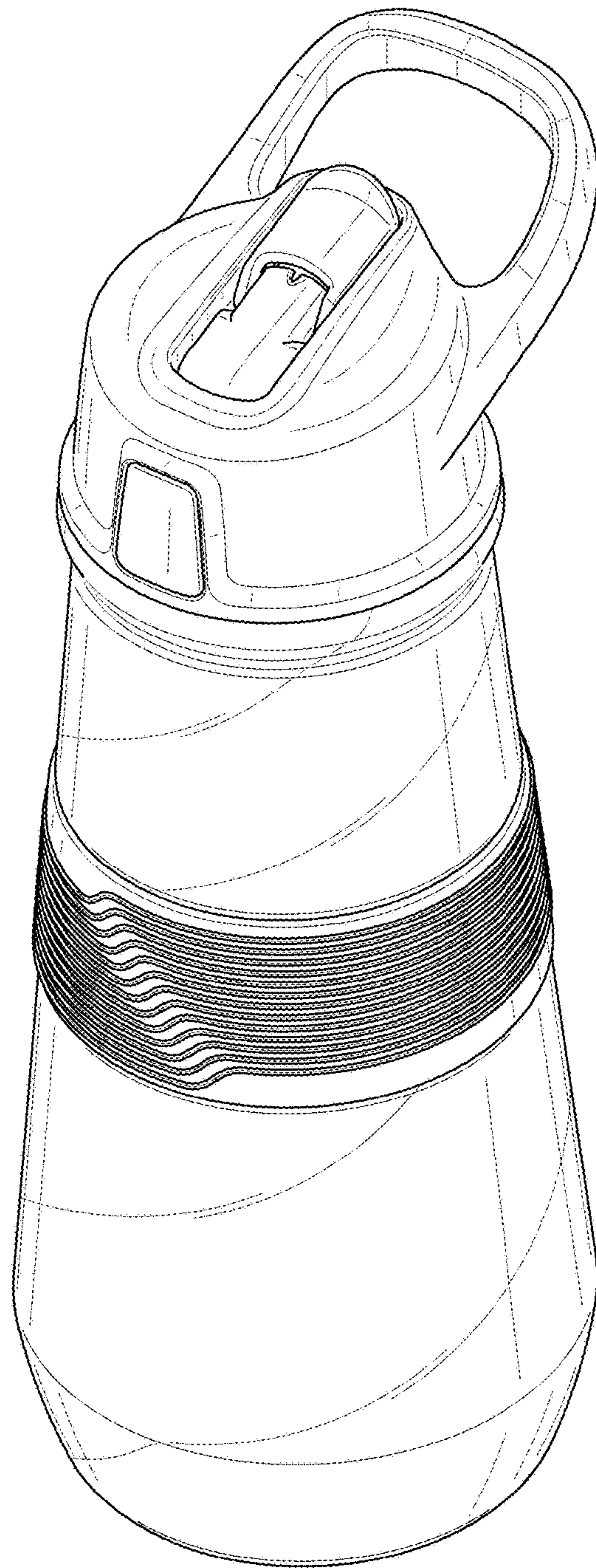


FIG. 1

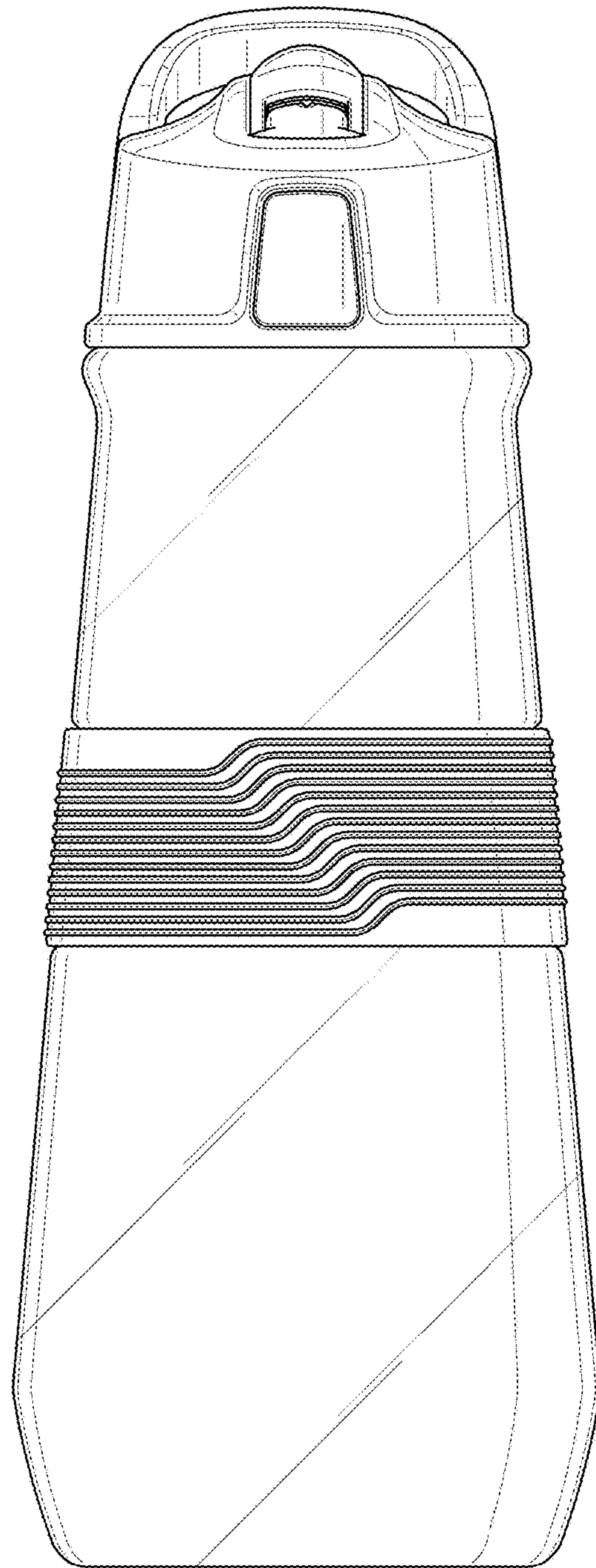


FIG. 2

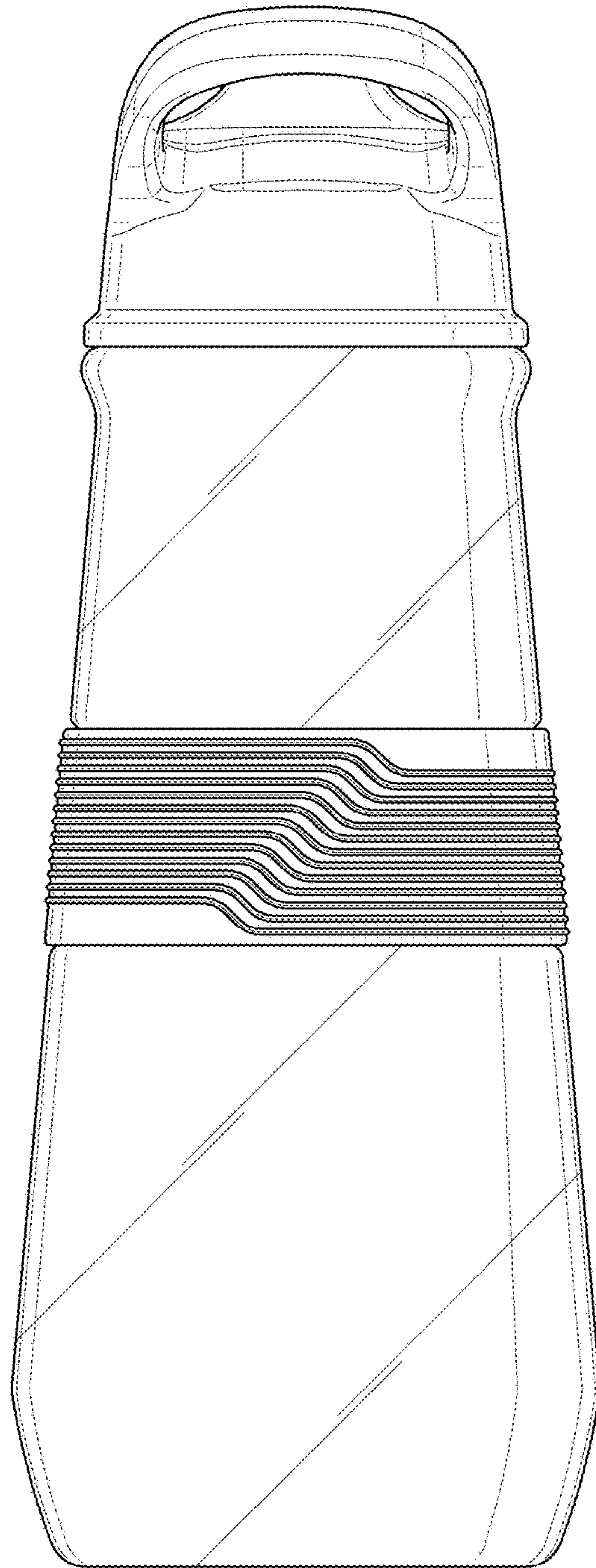


FIG. 3

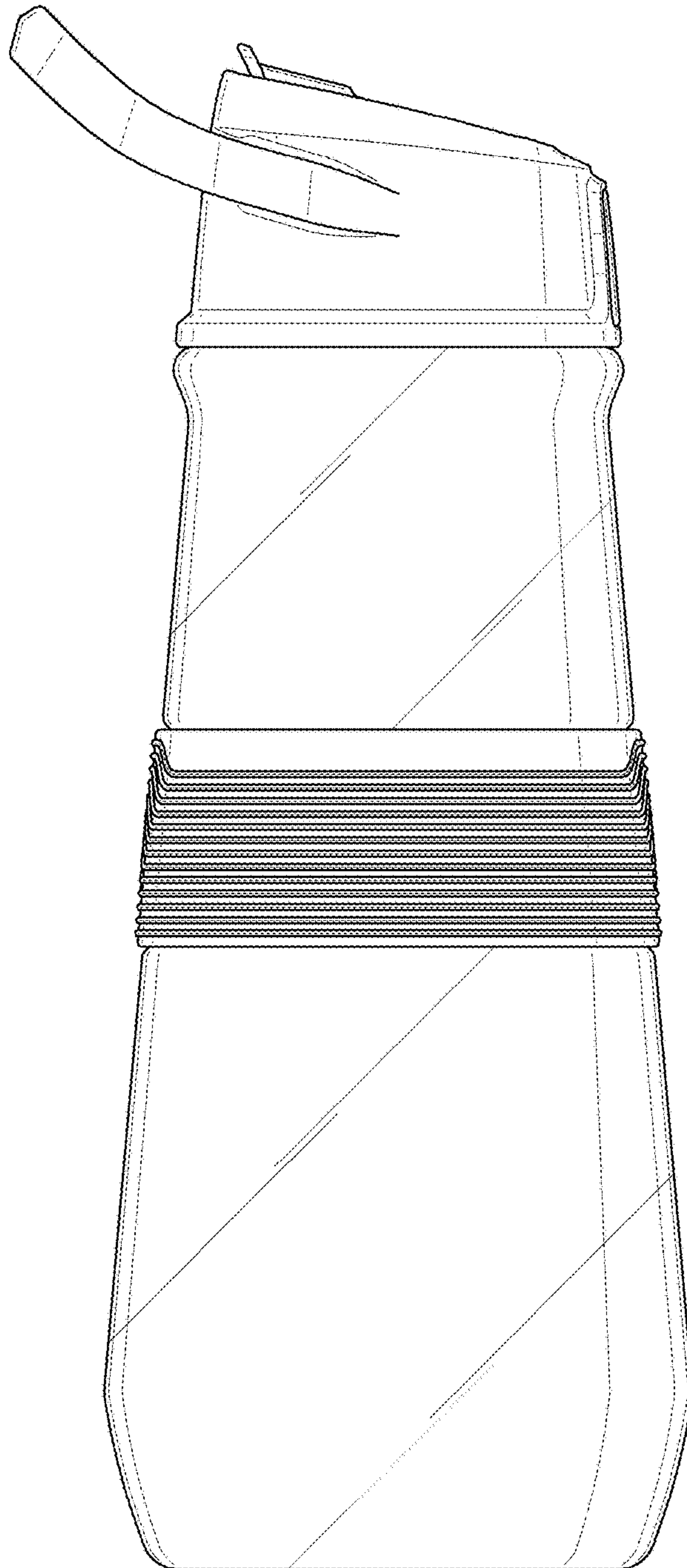


FIG. 4

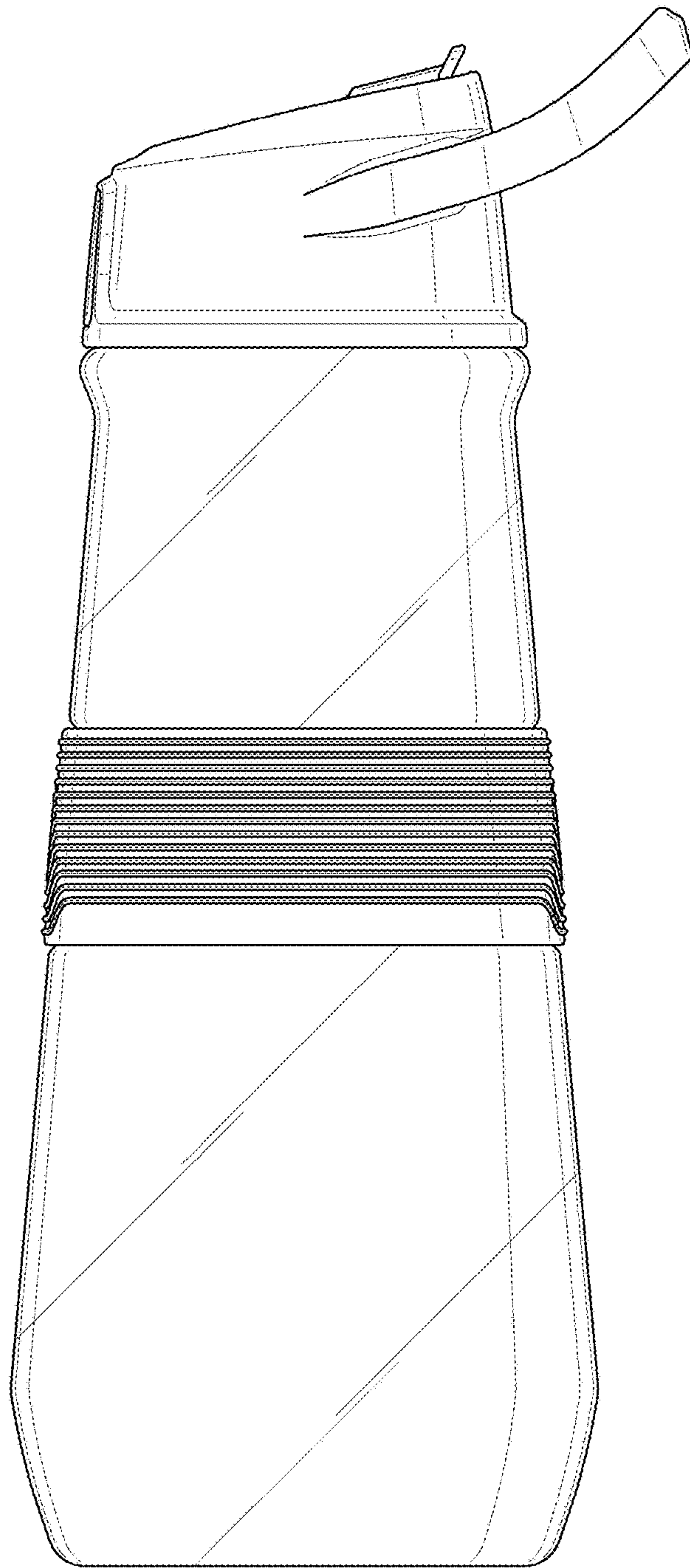


FIG. 5

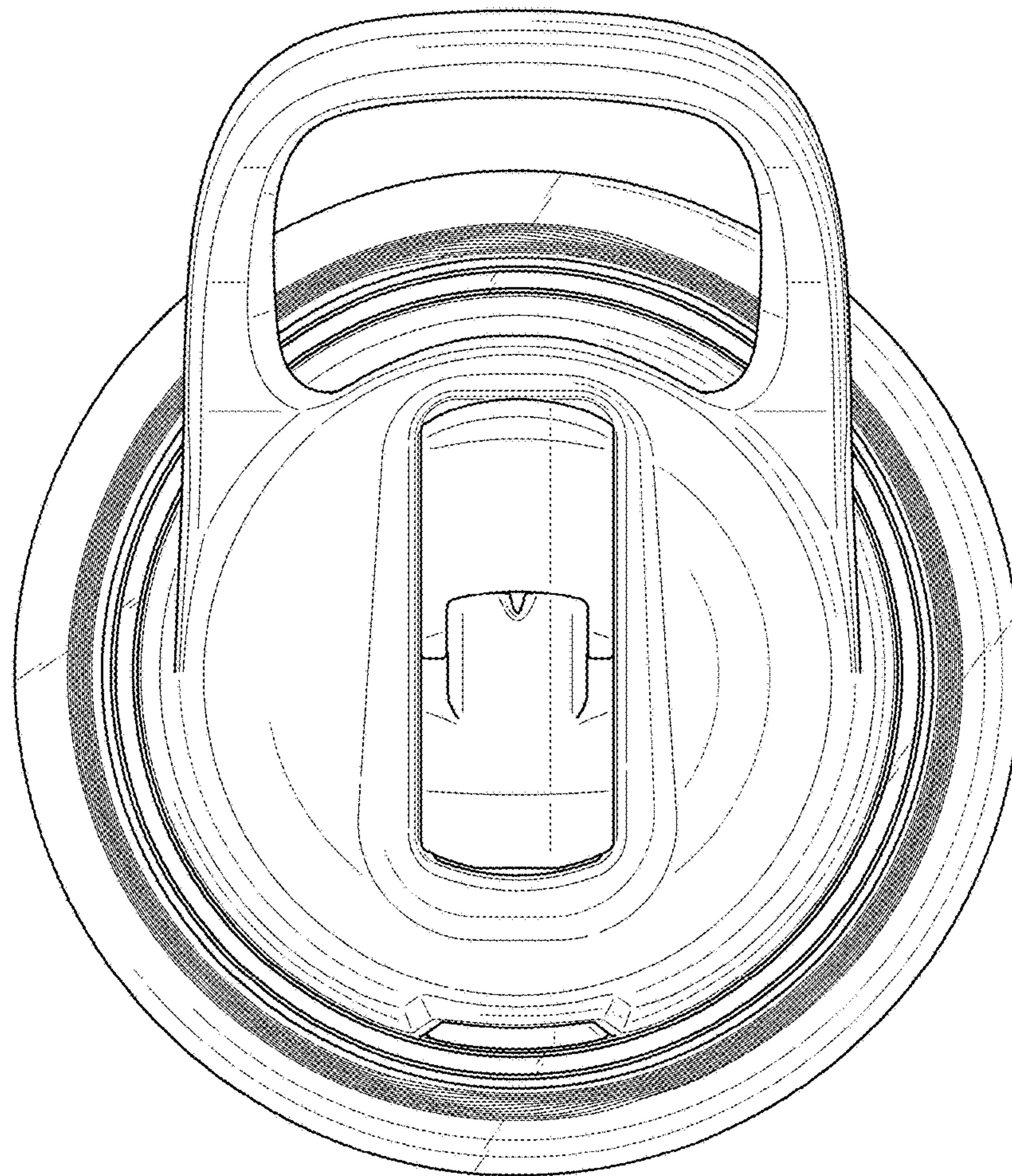


FIG. 6

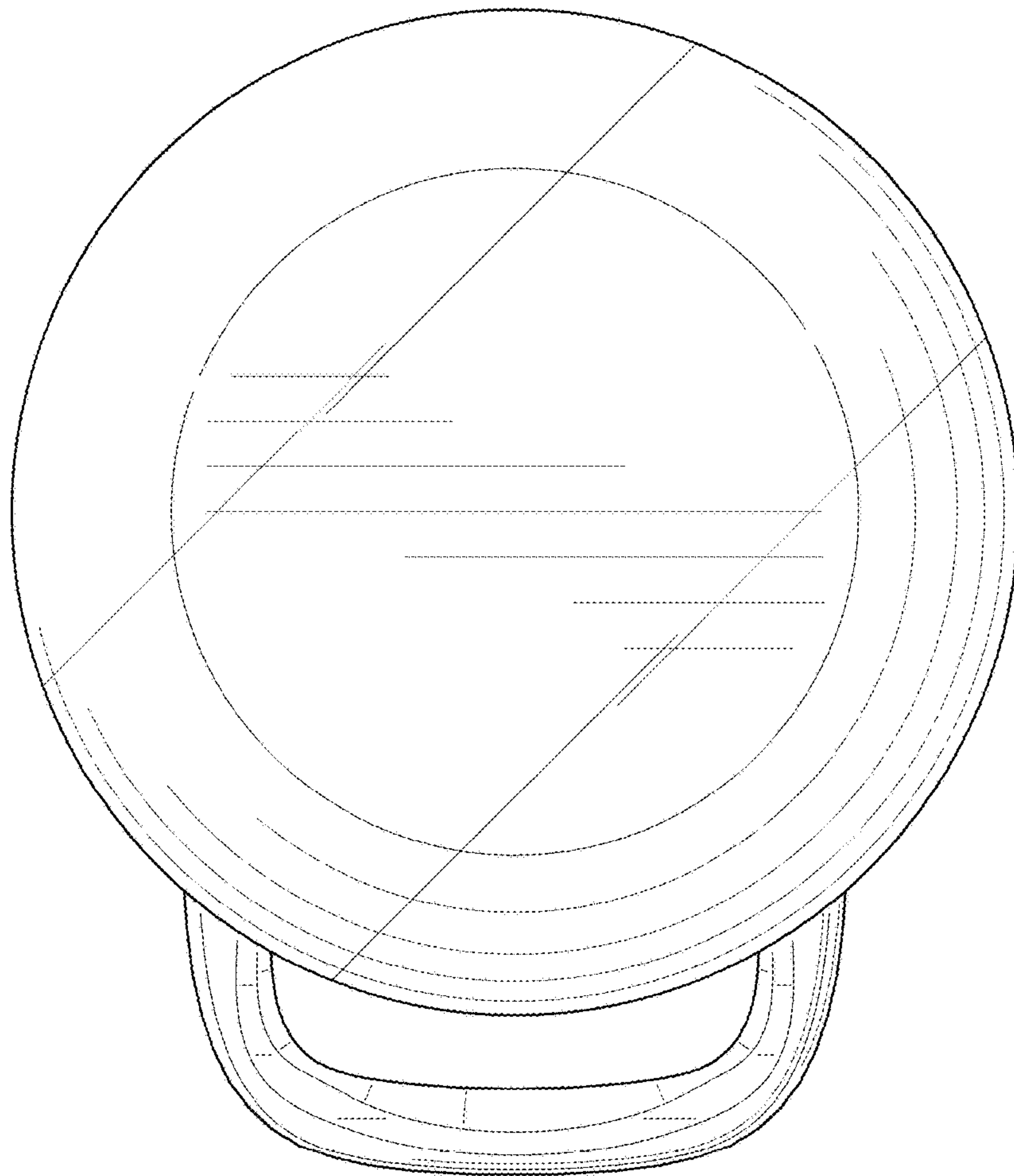


FIG. 7