



US00D838547S

(12) **United States Design Patent**
Koch et al.

(10) **Patent No.:** **US D838,547 S**
(45) **Date of Patent:** **** Jan. 22, 2019**

(54) **BURNER**

(71) Applicant: **ISPHORDING GMBH**, Attendorn (DE)

(72) Inventors: **Juergen Koch**, Attendorn (DE);
Matthias Mueller, Attendorn (DE)

(73) Assignee: **ISOPHORDING GMBH**, Olpe (DE)

(**) Term: **15 Years**

(21) Appl. No.: **29/579,796**

(22) Filed: **Oct. 4, 2016**

(51) **LOC (11) Cl.** **07-02**

(52) **U.S. Cl.**
USPC **D7/407**

(58) **Field of Classification Search**
USPC D7/402–409, 323, 332–351, 362–367,
D7/399, 397, 309, 306; D23/386, 397,
D23/402, 415–419; D15/81
CPC F24C 15/10; F24C 15/107; F24C 15/001;
F24C 3/08; F24C 3/082; F24C 3/085;
H05B 6/6414; H05B 6/6408; A47J 31/40;
A47J 31/42
See application file for complete search history.

(56) **References Cited**

U.S. PATENT DOCUMENTS

947,753 A * 1/1910 Norstrand F24C 3/085
126/40

1,330,989 A * 2/1920 Soultz F24C 15/001
126/36

1,663,438 A * 3/1928 Brumbaugh F24C 3/085
126/214 C

1,681,068 A * 8/1928 Taylor F24C 3/085
126/211

1,742,897 A * 1/1930 Brodbeck F24C 15/001
126/39 K

1,764,718 A * 6/1930 Gercich F24C 3/085
126/39 K

1,833,734 A * 11/1931 Brumbaugh F24C 15/10
126/214 A

1,872,019 A * 8/1932 Taylor F24C 3/085
126/214 C

1,878,143 A * 9/1932 Hobson F24C 3/085
126/39 K

1,962,819 A * 6/1934 Hoffstetter F24C 3/085
126/214 A

1,974,222 A * 9/1934 Teller F24C 3/085
126/214 A

2,005,242 A * 6/1935 Rogers F24C 3/085
126/214 C

2,138,925 A * 12/1938 Kahn F24C 3/103
126/39 R

* cited by examiner

Primary Examiner — Sheryl Lane
Assistant Examiner — Nicole C Shiflet
(74) *Attorney, Agent, or Firm* — Andrew Wilford

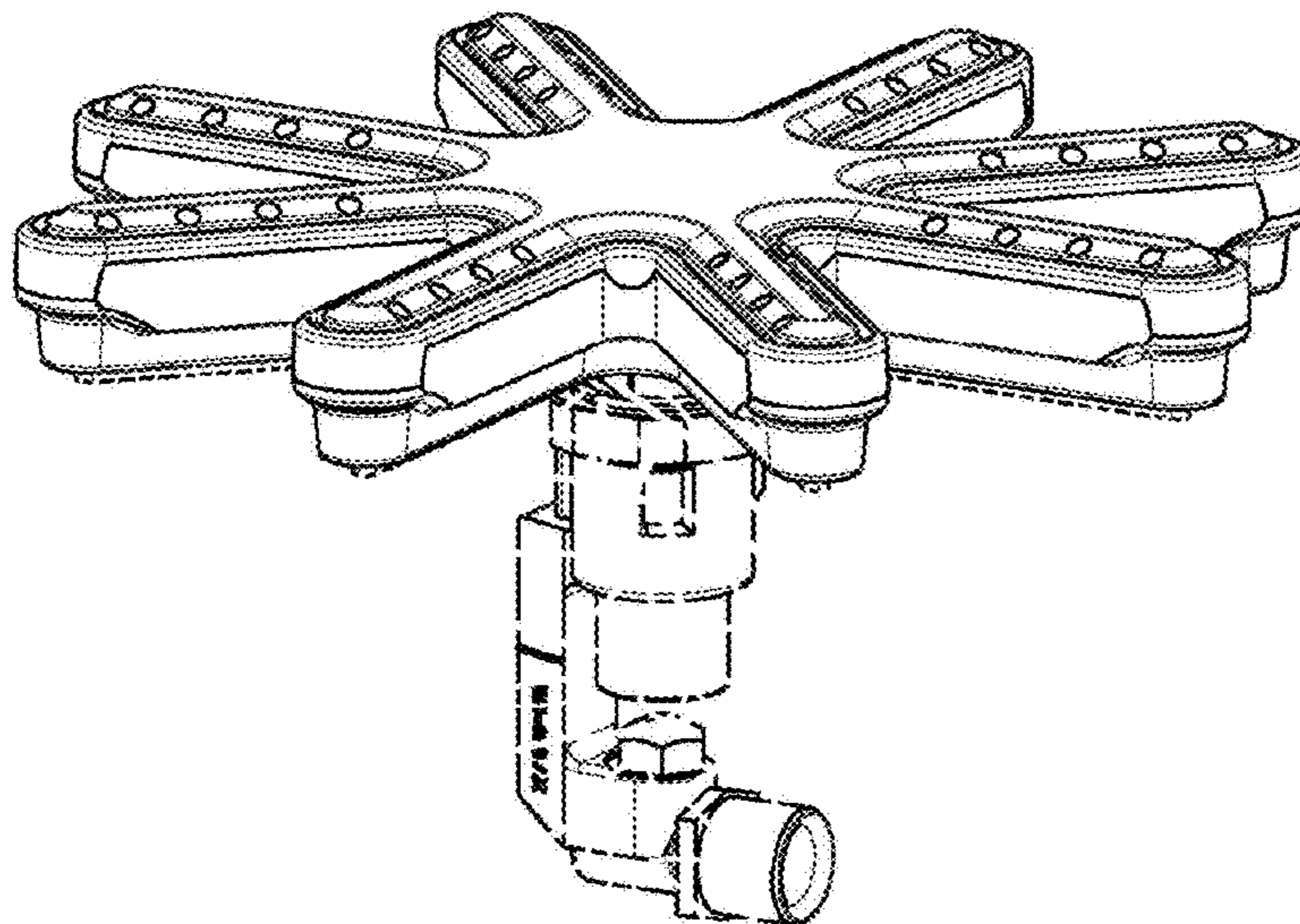
(57) **CLAIM**

The ornamental design for a burner, as shown and described.

DESCRIPTION

FIG. 1 is a perspective view of the burner;
FIG. 2 is a side view of the burner;
FIG. 3 is a top view of the burner;
FIG. 4 is a perspective view of only the burner insert;
FIG. 5 is a side view of only the burner insert;
FIG. 6 is a perspective view of only the burner base;
FIG. 7 is a side view of only the burner base; and,
FIG. 8 is a top view of only the burner base.
The broken lines showing portions of the burner and environment form no part of the claimed design.

1 Claim, 5 Drawing Sheets



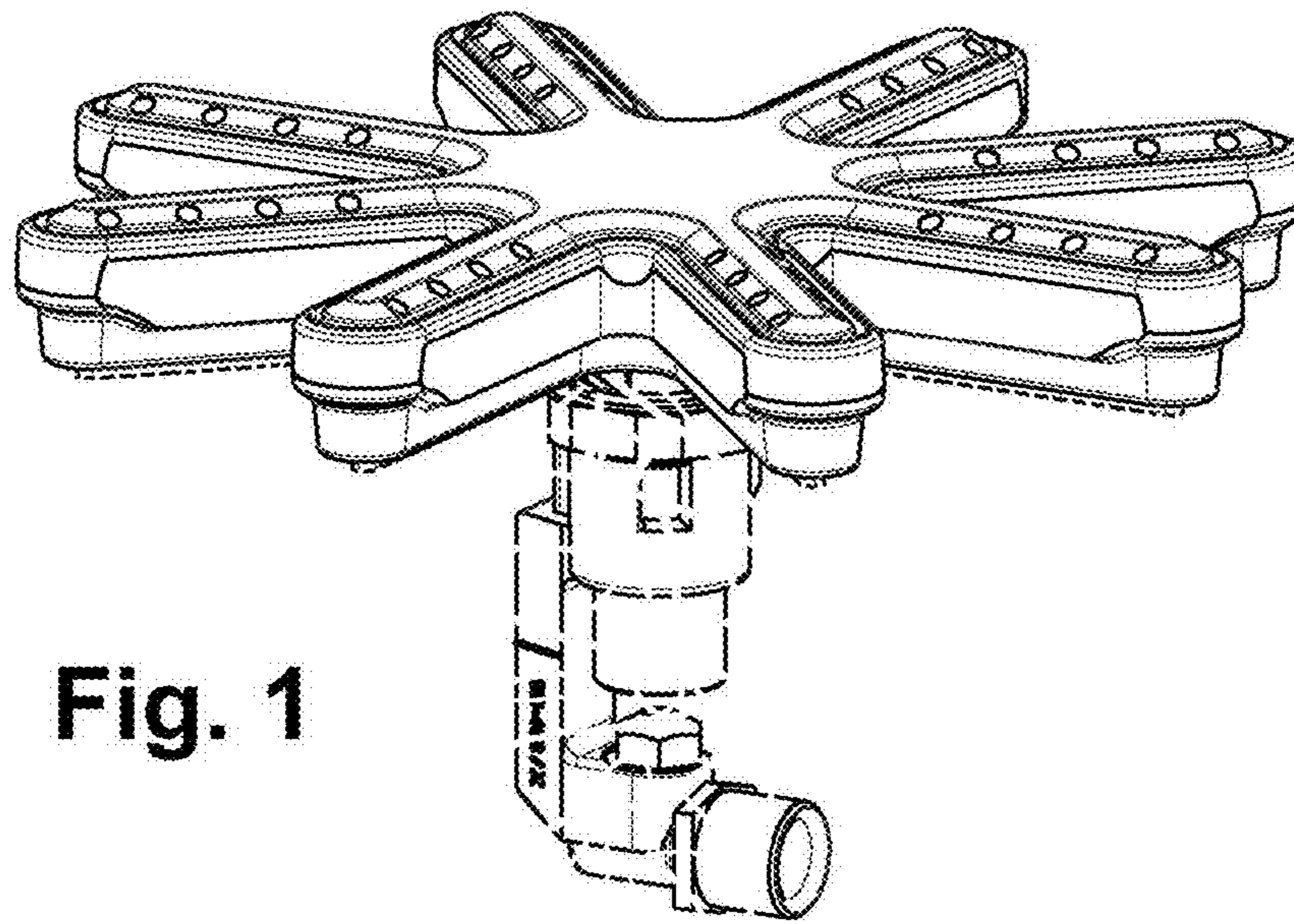


Fig. 1

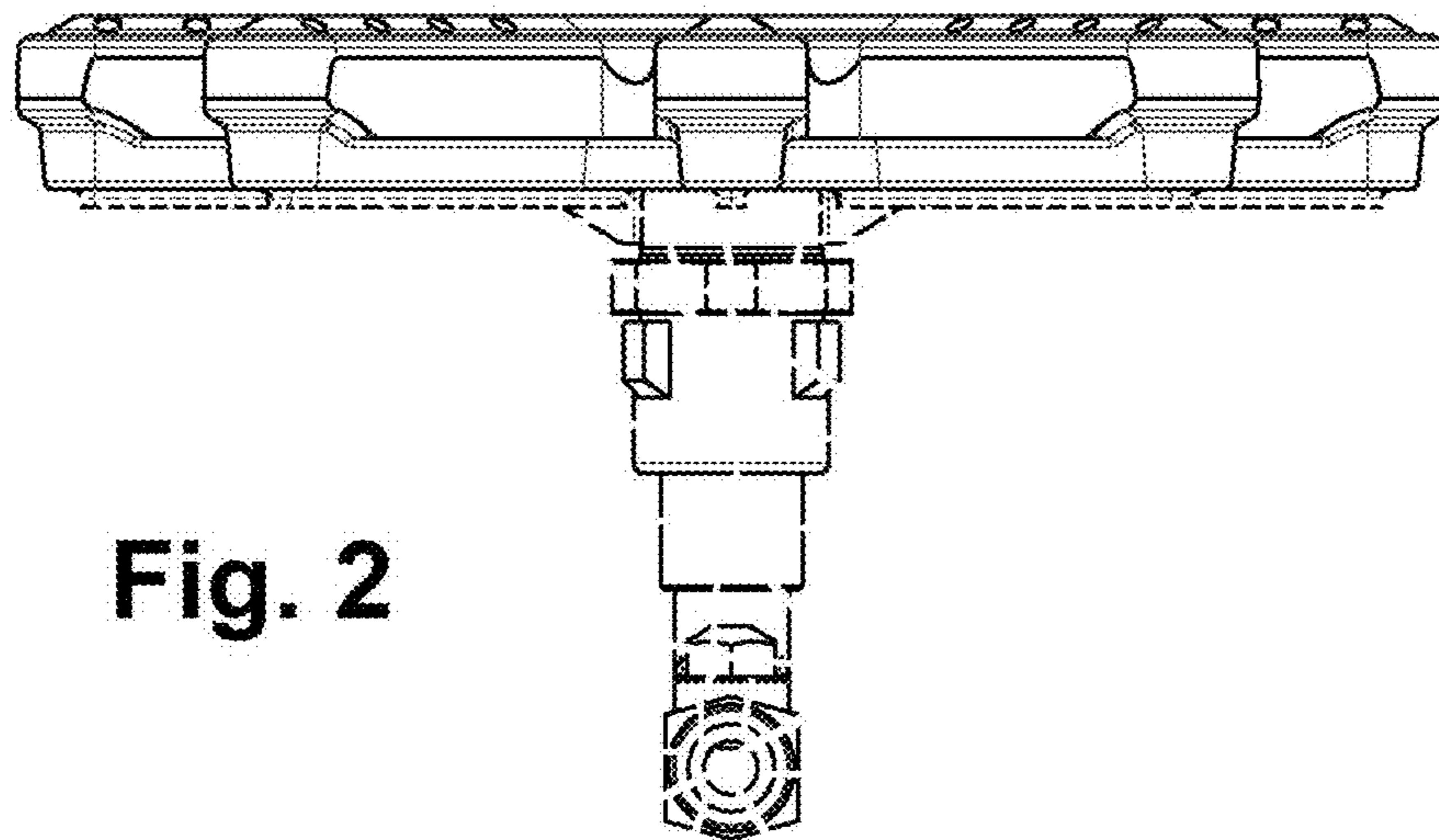


Fig. 2

Fig. 3

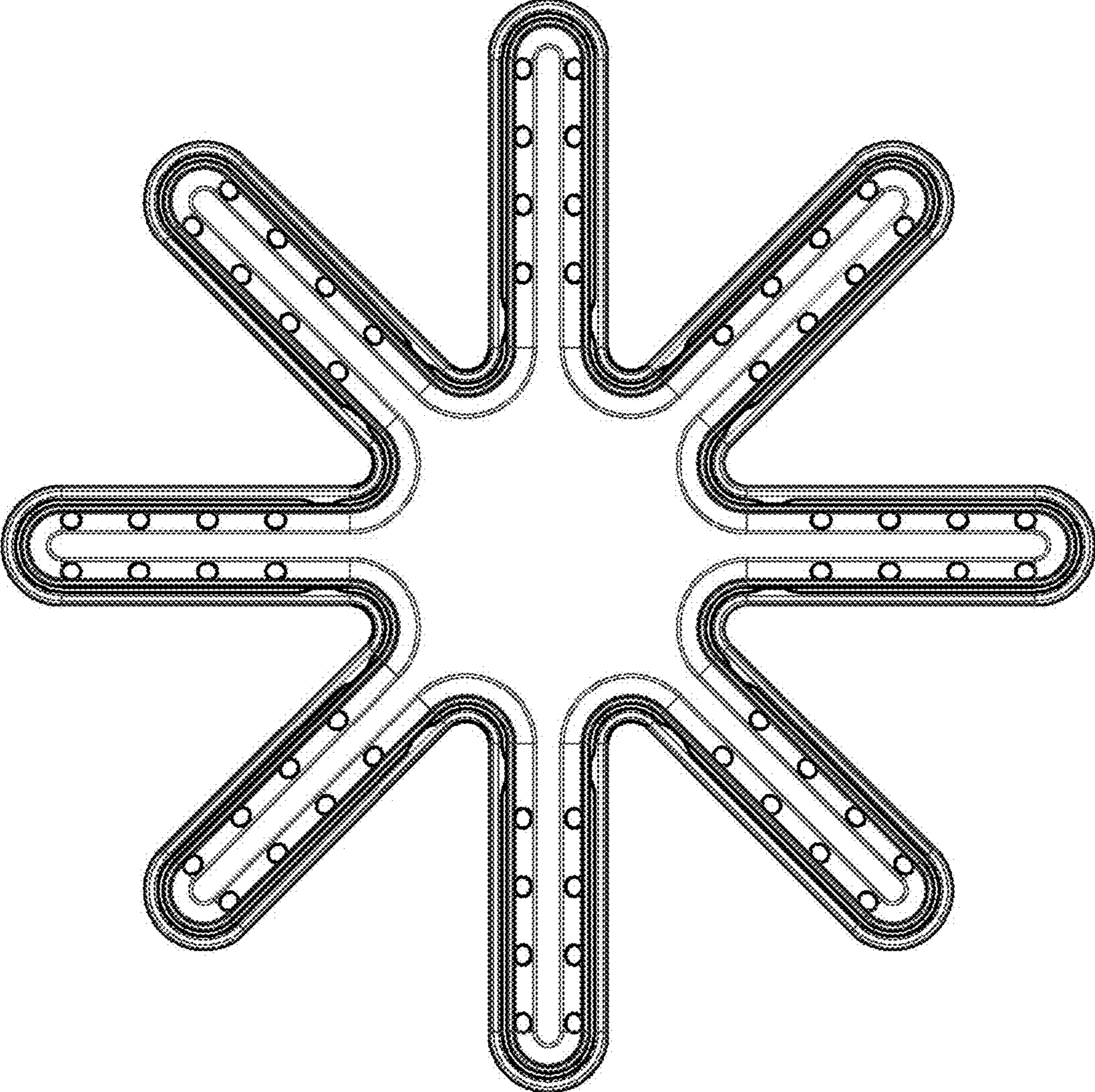


Fig. 4

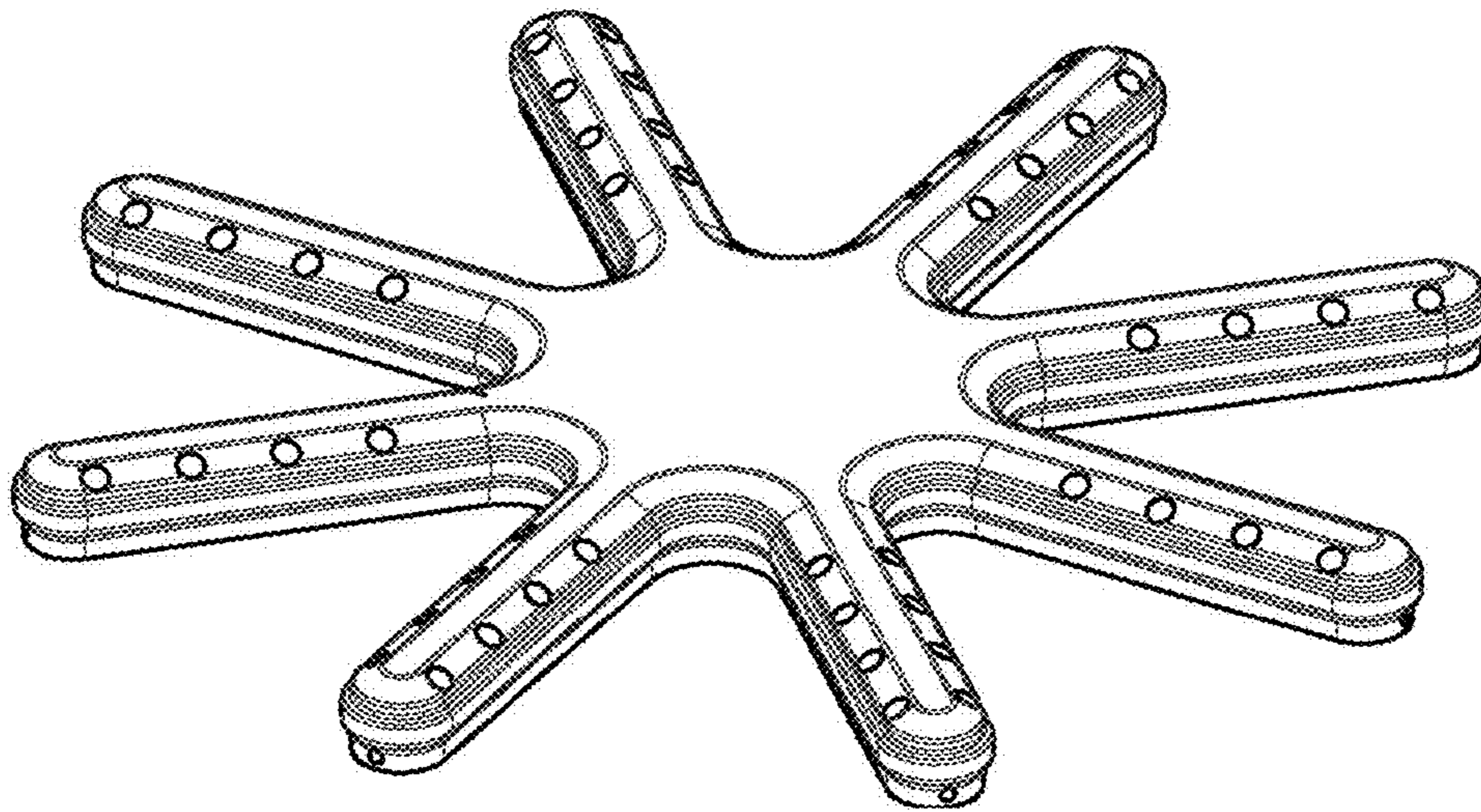


Fig. 5

Fig. 6

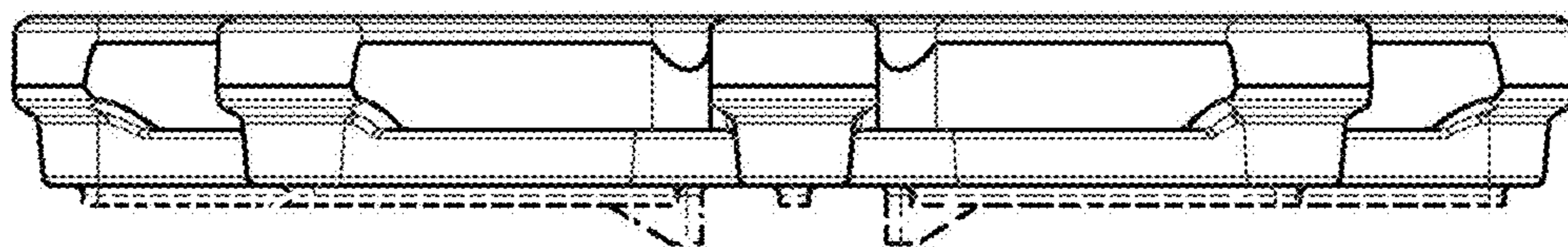
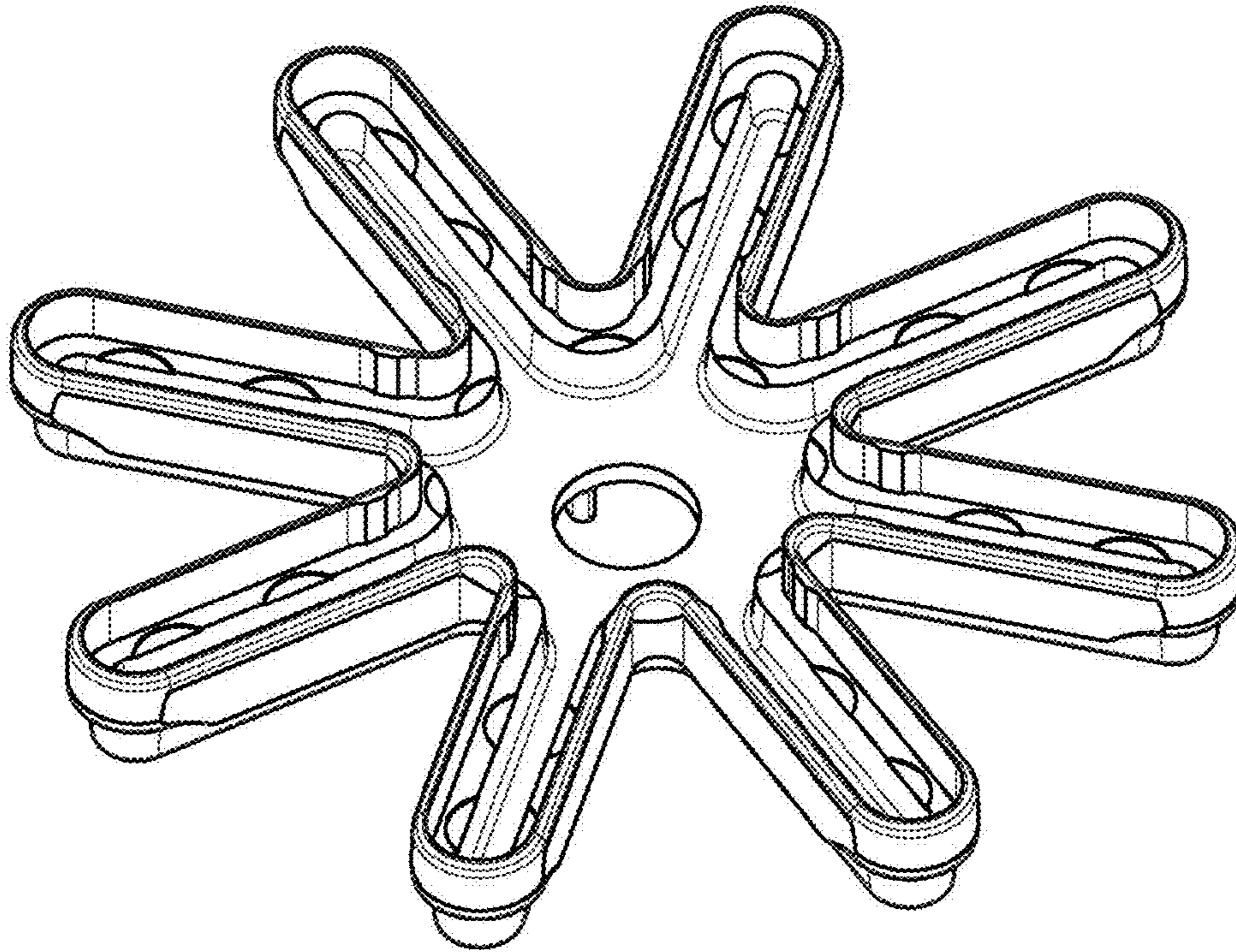


Fig. 7

Fig. 8

