



US00D838546S

(12) **United States Design Patent** (10) **Patent No.:** **US D838,546 S**
Wang et al. (45) **Date of Patent:** **** Jan. 22, 2019**

(54) **PRESSURE COOKER CONTROL PANEL**

(71) Applicant: **Double Insight Inc.**, Ottawa (CA)

(72) Inventors: **Jiwei R Wang**, Ottawa (CA); **Yi Qin**, Ottawa (CA); **Dongjun Wang**, Ottawa (CA)

(73) Assignee: **Double Insight Inc.**, Ottawa (CA)

(**) Term: **15 Years**

(21) Appl. No.: **29/645,624**

(22) Filed: **Apr. 27, 2018**

(30) **Foreign Application Priority Data**

Dec. 8, 2017 (CA) 178559

(51) **LOC (11) Cl.** **07-02**

(52) **U.S. Cl.**
USPC **D7/406**

(58) **Field of Classification Search**
USPC D7/323, 397, 399, 306, 309, 368, 665,
D7/372, 373, 376-378, 386, 387, 402,
D7/405, 406, 412, 358, 351, 307;
D12/415, 192, 174; D14/157, 188
CPC .. A47J 31/40; A47J 31/42; A47J 27/08; A47J
27/0802
See application file for complete search history.

(56) **References Cited**

U.S. PATENT DOCUMENTS

5,048,400	A	9/1991	Ueda et al.	
5,567,458	A	10/1996	Wu	
D442,820	S *	5/2001	Kim	D7/351
D530,973	S *	10/2006	Lee	D7/351
D549,517	S	8/2007	Moran	
D571,598	S *	6/2008	Moore	D7/306
D601,848	S *	10/2009	Borin	D7/307
D605,454	S *	12/2009	Nicolini	D7/306
D610,389	S *	2/2010	Borin	D7/309
D613,991	S *	4/2010	Baek	D7/351
D675,471	S *	2/2013	Averty	D7/309
D686,033	S *	7/2013	Burton	D7/306

D730,101	S *	5/2015	De'Longhi	D7/309
D736,025	S *	8/2015	Kestenbaum	D7/309
D742,686	S *	11/2015	Kunz	D7/309
D756,161	S	5/2016	Sands	
D789,114	S	6/2017	Prats	
D802,987	S *	11/2017	Corlay	D7/358

OTHER PUBLICATIONS

Instant Pot Ultra, by Instant Pot, Amazon [online], date first listed Apr. 4, 2017, [retrieved on May 27, 2018]. Retrieved from the Internet, URL: <https://www.amazon.com/Instant-Pot-Ultra-Programmable-Sterilizer/dp/B06Y1MP2PY?psc=1&SubscriptionId=AKIAI52RDQYTP3DSJKFQ&tag=nomrec-20&linkCode=xm2&camp=2025&creative=16595>.*

The Fast Slow Pro, by Breville, Amazon [online], date first listed Aug. 6, 2015, [retrieved on May 27, 2018]. Retrieved from the Internet, URL: https://www.amazon.com/Breville-Fast-Slow-Pro-Silver/dp/B013I40R8E/ref=sr_1_1?ie=UTF8&qid=1527468506&sr=8-1&keywords=breville+fast+slow+pro.*

* cited by examiner

Primary Examiner — Sheryl Lane

Assistant Examiner — Nicole C Shiflet

(74) *Attorney, Agent, or Firm* — Erickson Law Group, PC

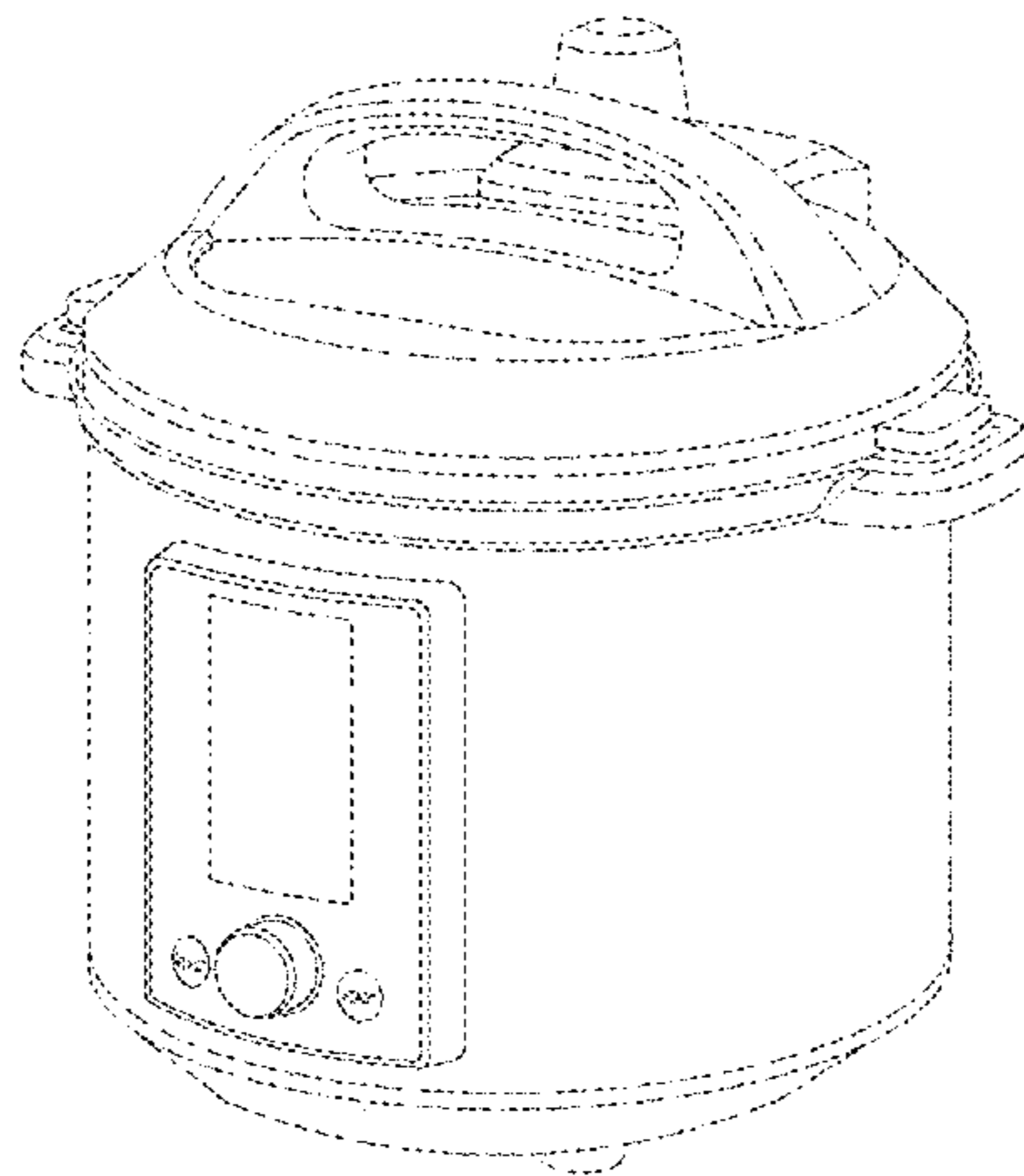
(57) **CLAIM**

The ornamental design for a pressure cooker control panel, as shown and described.

DESCRIPTION

FIG. 1 is a front perspective view of the pressure cooker control panel of the invention;
FIG. 2 is a top view thereof;
FIG. 3 is a bottom view thereof;
FIG. 4 is a front view thereof;
FIG. 5 is a rear view thereof;
FIG. 6 is a right side view thereof; and,
FIG. 7 is a left side view thereof.
The broken lines showing environment form no part of the claimed design.

1 Claim, 7 Drawing Sheets



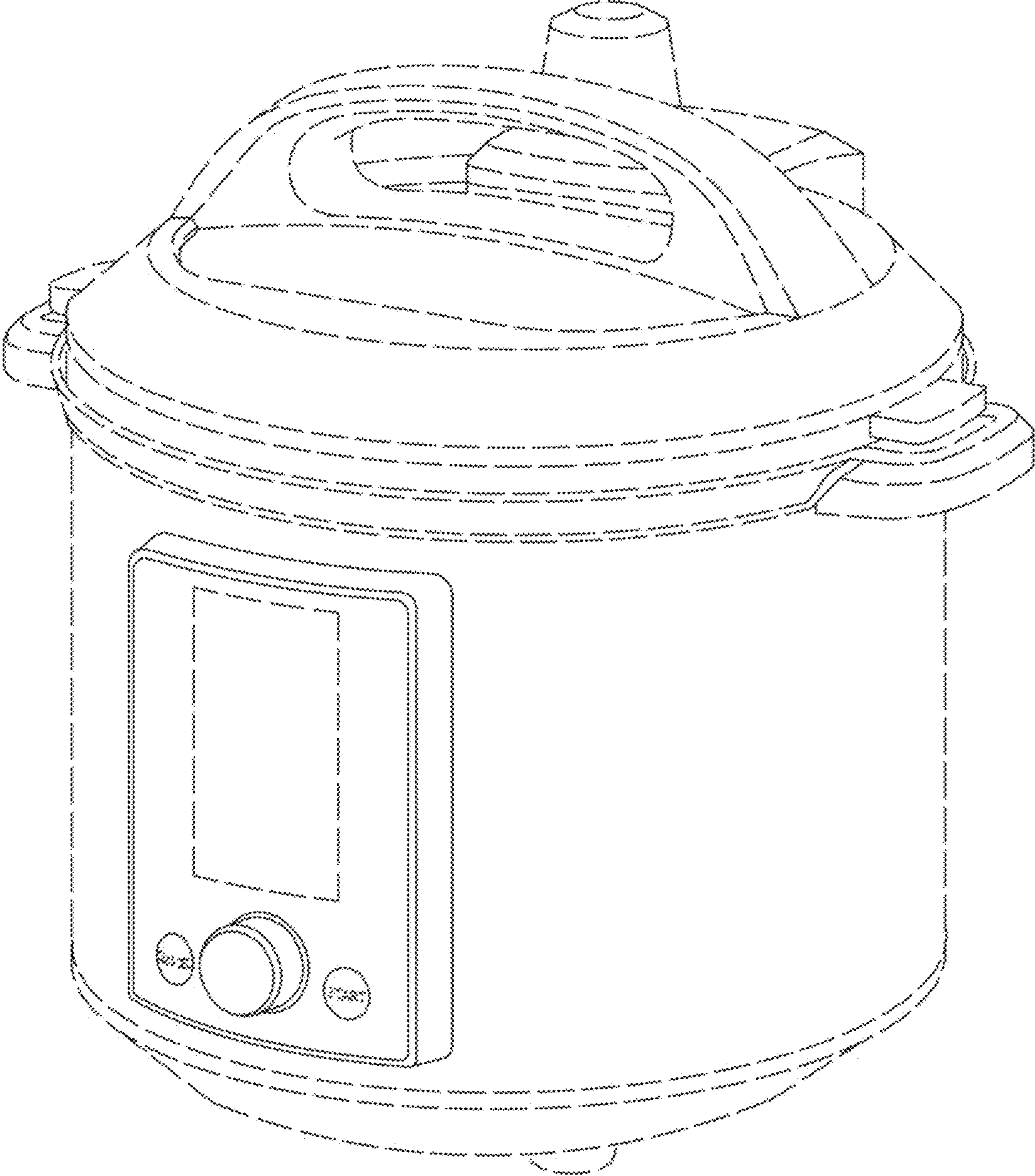


FIG. 1

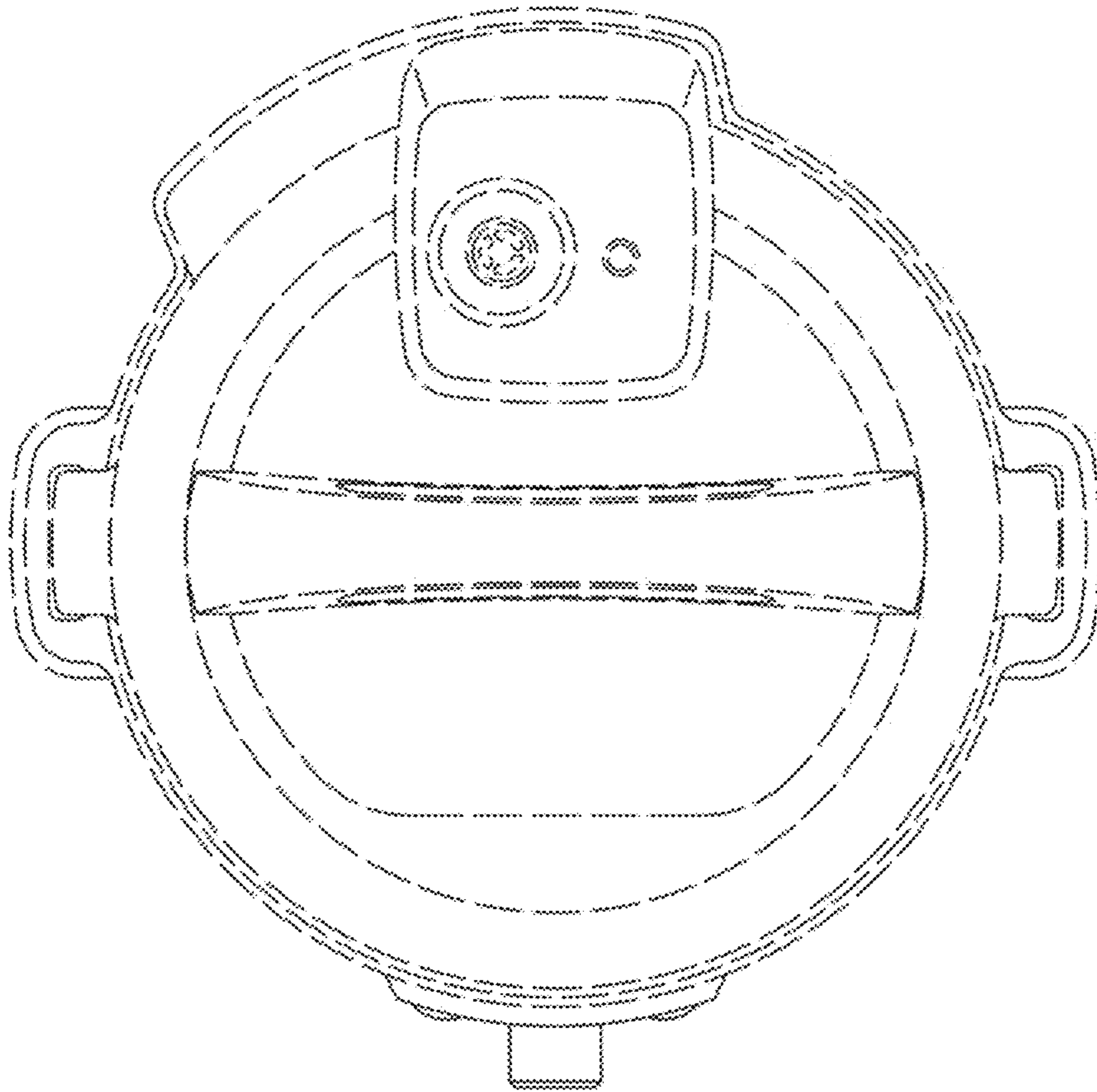


FIG. 2

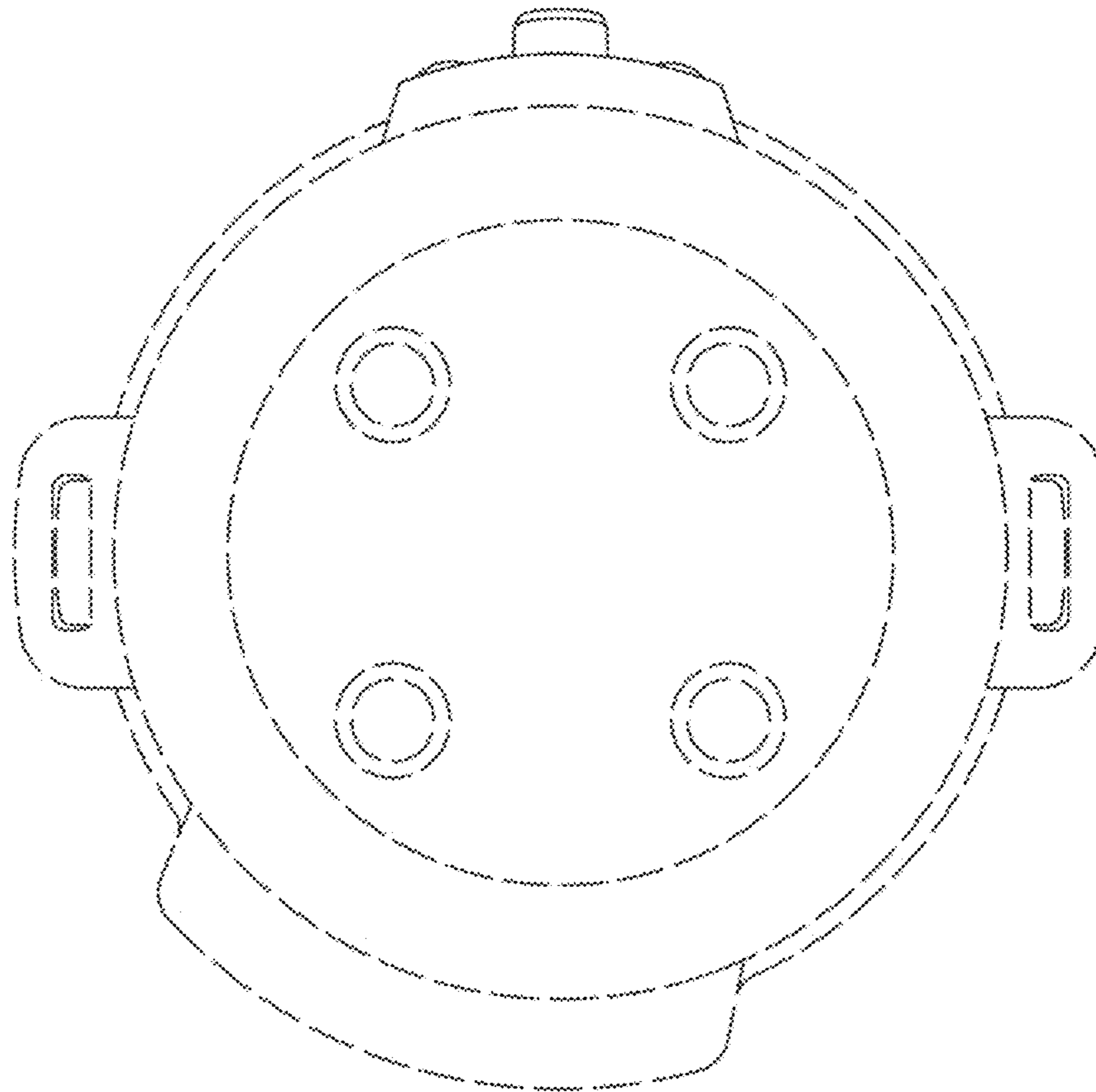


FIG. 3

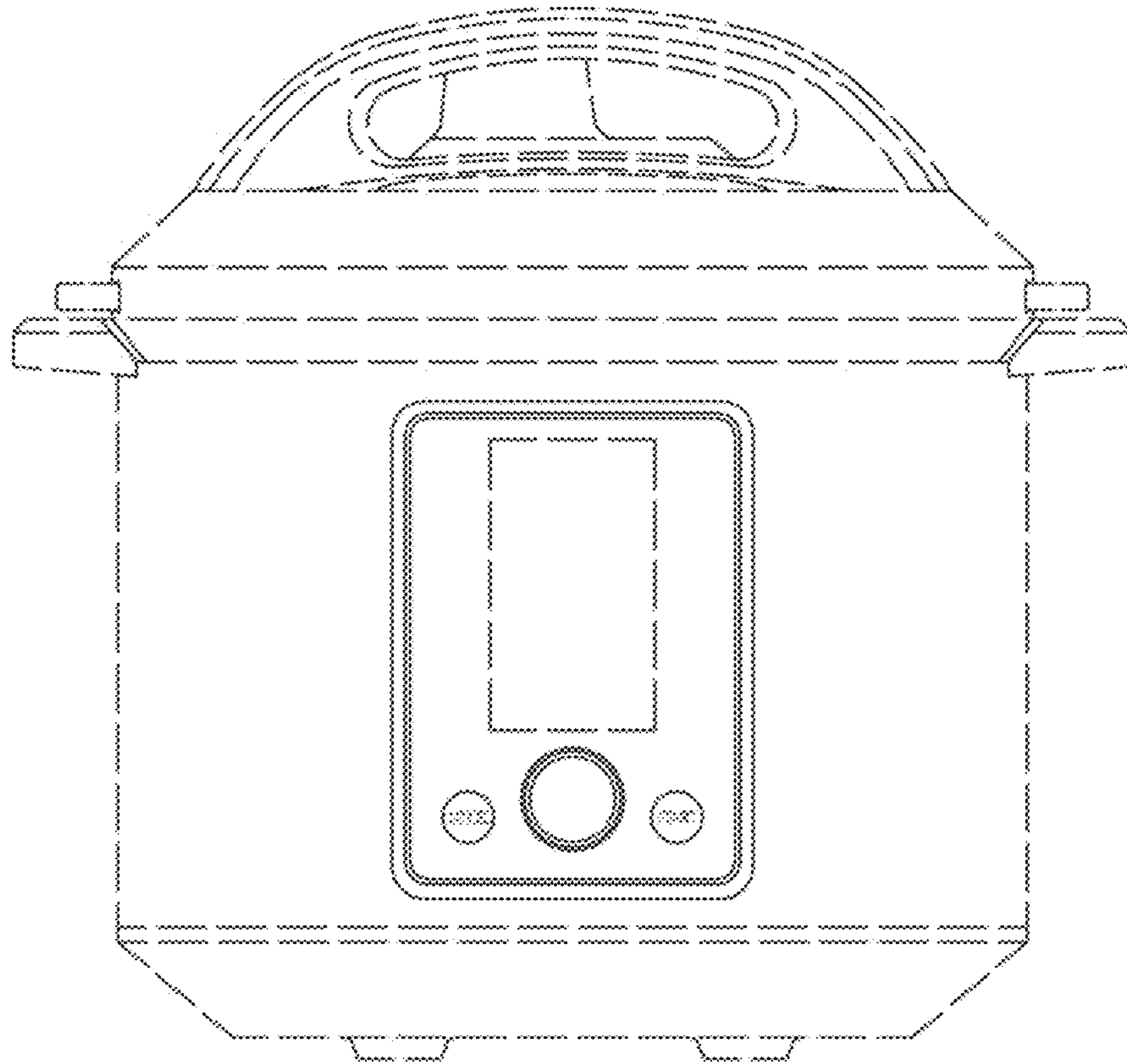


FIG. 4

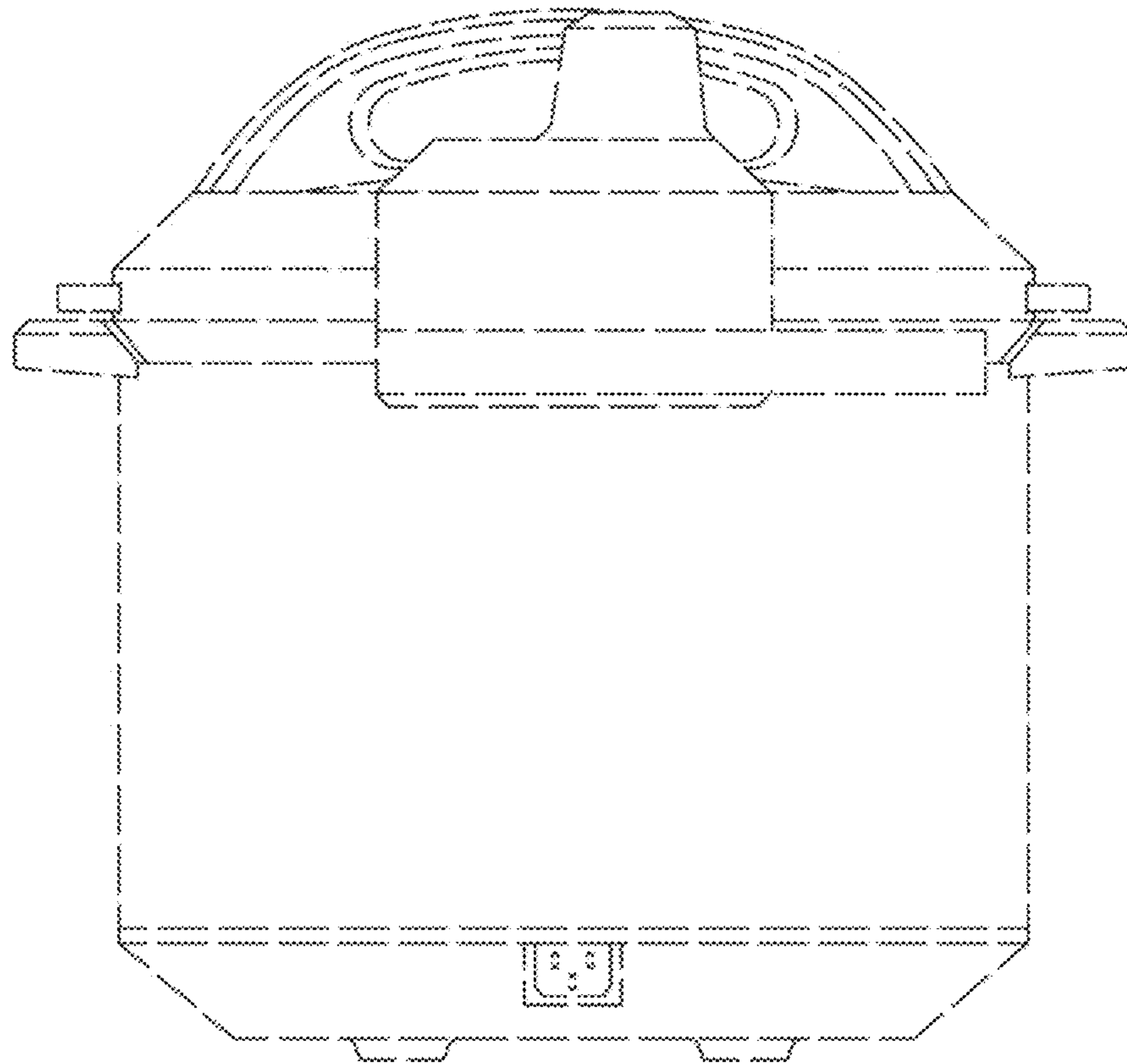


FIG. 5

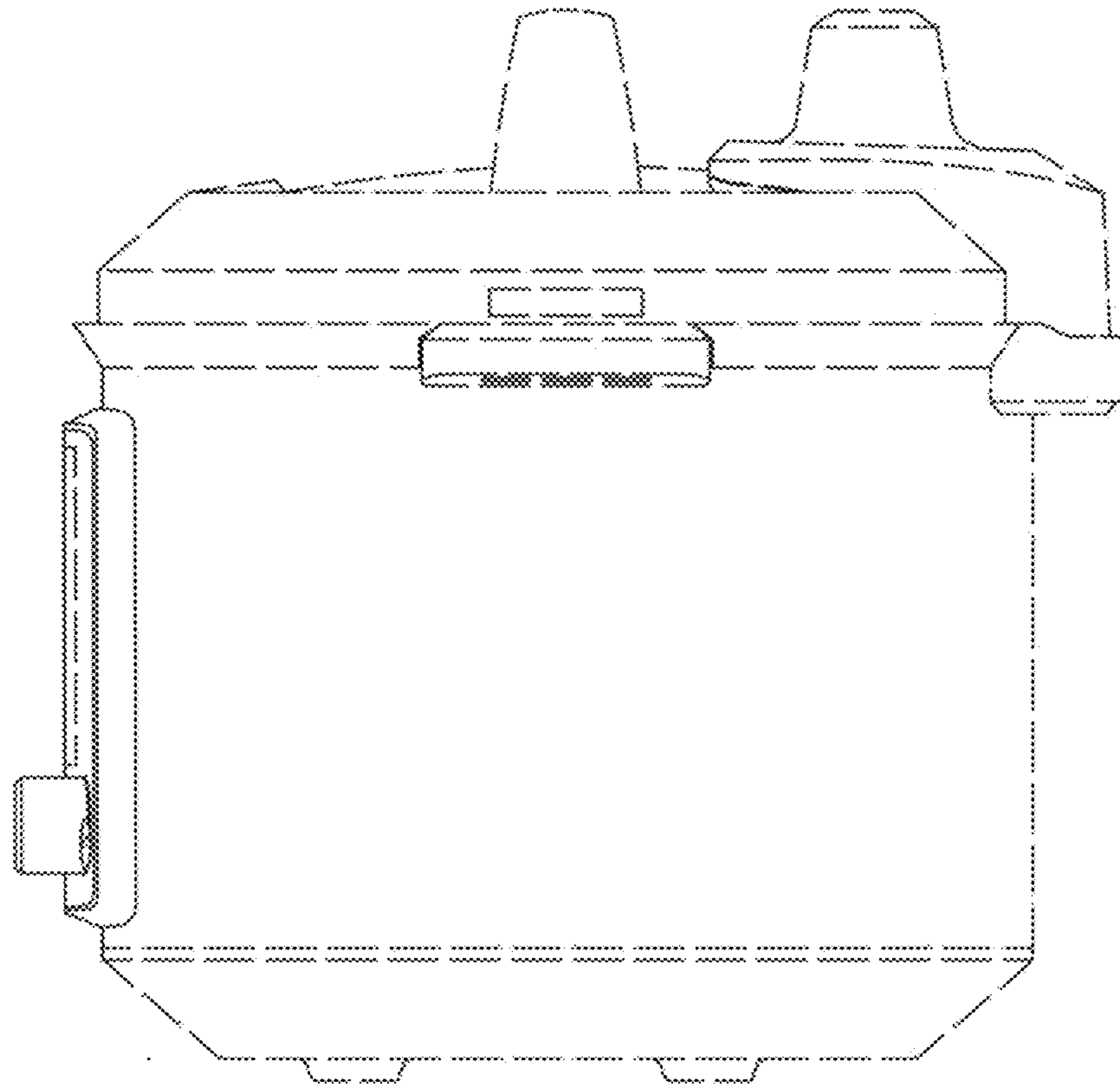


FIG. 6

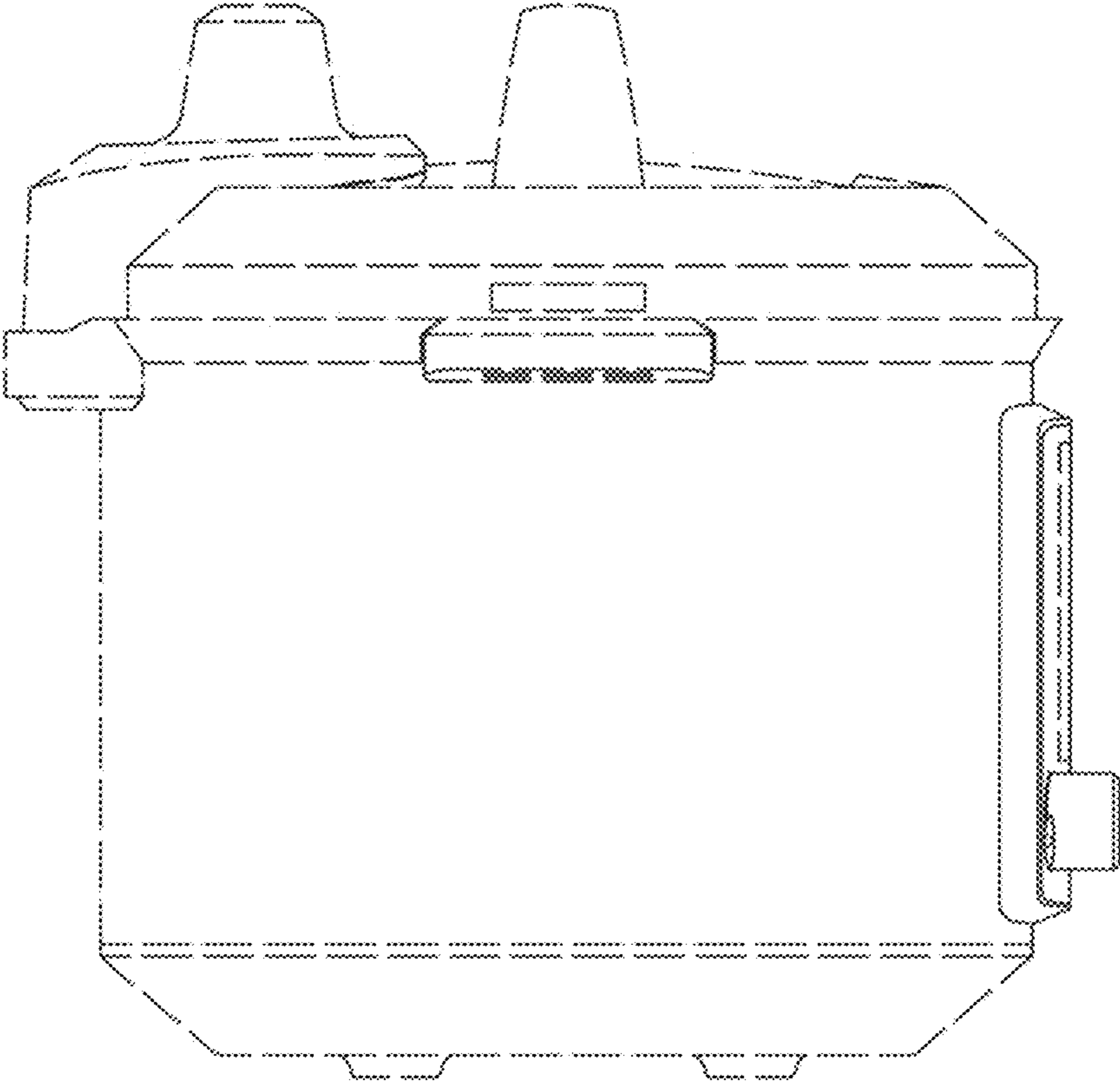


FIG. 7