



US00D838545S

(12) **United States Design Patent** (10) **Patent No.:** **US D838,545 S**  
**Liu** (45) **Date of Patent:** **\*\* Jan. 22, 2019**

(54) **KNIFE HANDLE**  
(71) Applicant: **Yunxing Liu**, Irvine, CA (US)  
(72) Inventor: **Yunxing Liu**, Irvine, CA (US)  
(\*\*) Term: **15 Years**  
(21) Appl. No.: **29/591,577**

D296,179 S \* 6/1988 Hagberg ..... D7/649  
D494,006 S \* 8/2004 Zemel ..... D7/395  
D649,411 S \* 11/2011 Lo ..... D7/649  
D649,840 S \* 12/2011 Lo ..... D7/649  
D710,158 S \* 8/2014 Berger ..... D7/401.2  
D730,117 S \* 5/2015 Hiltenbrand ..... D7/401.2  
D770,850 S \* 11/2016 Keating ..... D7/401.2  
D773,886 S \* 12/2016 McConnell ..... D7/401.2  
D773,891 S \* 12/2016 Liu ..... D7/401.2

(Continued)

(22) Filed: **Jan. 20, 2017**  
(51) **LOC (11) Cl.** ..... **07-99**  
(52) **U.S. Cl.**  
USPC ..... **D7/401.2**  
(58) **Field of Classification Search**  
USPC ..... D7/642-654, 662, 664, 666, 669, 672,  
D7/673, 676, 681-683, 687, 688,  
D7/691-697, 401, 401.1, 401.2, 387, 393,  
D7/213; D8/7, 9, 12, 33, 48, 75, 76, 77,  
D8/80, 81, 83, 93, 94, 95, 96, 97, 98, 99,  
D8/100, 101, 102, 103, 104, 105, 106,  
D8/107, 300, 303, 118; D22/118;  
30/136, 142-150, 161, 295, 315, 329,  
30/340-348, 353-356; 7/118; 16/110,  
16/430, 431  
CPC ..... A47G 21/02; A47G 21/06; A47G 21/08;  
A47G 21/04; B26B 11/00; B26B 29/025;  
B26B 1/00; B26B 1/08; B26B 1/10;  
B26B 3/00; B26B 3/02; B26B 3/03;  
B26B 5/007; B26B 7/00; B26B 7/005;  
B26B 11/006; B26B 11/001; B26B  
11/003; B26B 11/005; B26B 11/008;  
B26B 21/04; B26B 21/4006; B26B 3/04  
See application file for complete search history.

(56) **References Cited**

**U.S. PATENT DOCUMENTS**

1,847,062 A \* 2/1932 Lemmon, Jr. .... A21C 15/007  
30/304  
2,995,821 A \* 8/1961 Gordon ..... B21J 15/02  
29/509

**OTHER PUBLICATIONS**

“BGT Japanese 67 Layer High Grade VG-10 Super Damascus Steel Knives,” available Dec. 6, 2017, [online], [site visited Mar. 16, 2018]. Available from Internet, URL:https://www.amazon.com/BGTJapaneseDamascusProfessionalHammered/dp/B0785PNBPC/ref=pd\_sbs\_79\_6 (Year: 2017).\*

(Continued)

*Primary Examiner* — Cathron C Brooks  
*Assistant Examiner* — Katrina N Gonzalez

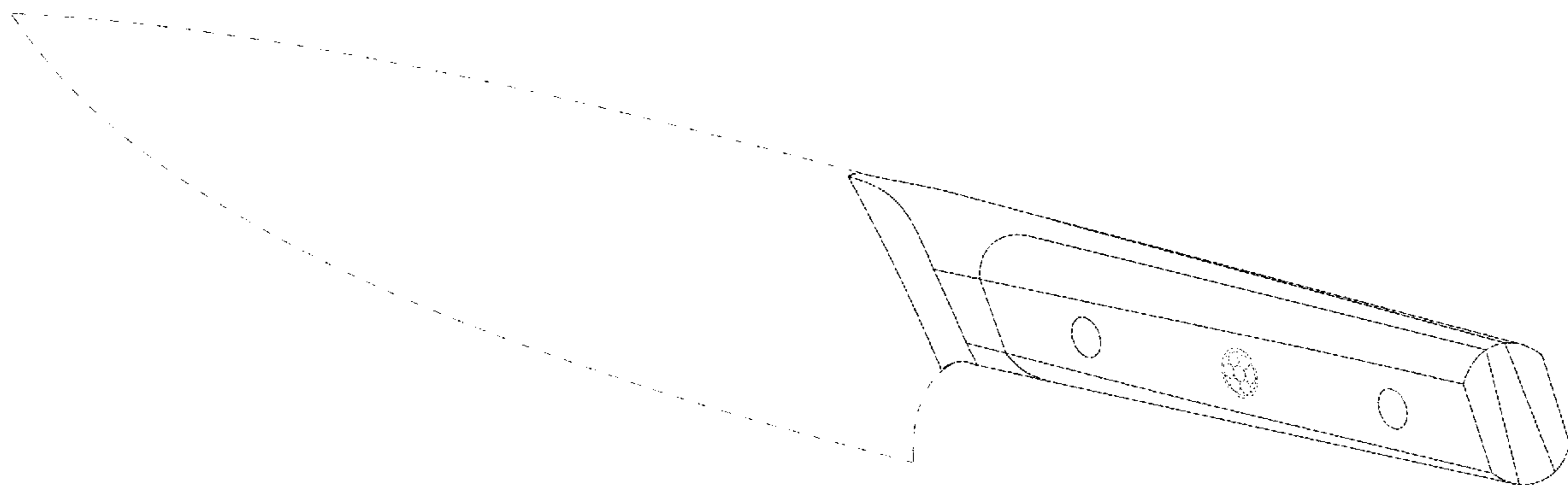
(57) **CLAIM**

The ornamental design for a knife handle, as shown and described.

**DESCRIPTION**

FIG. 1 is a rear left side perspective of a knife handle, the right-side being a mirror image, showing my new design. FIG. 2 is a left-side view of the knife handle thereof, the right-side being a mirror image. FIG. 3 is a top view thereof. FIG. 4 is a bottom view thereof. FIG. 5 is an enlarged rear view thereof; and, FIG. 6 is an enlarged front view thereof. The broken lines shown in FIGS. 1 through 6 illustrate environmental structure that form no part of the claimed design. The broken lines shown on the knife handle in FIGS. 1, 2 and 5 illustrate portions of the knife handle that form no part of the claimed design.

**1 Claim, 4 Drawing Sheets**



(56)

**References Cited**

## U.S. PATENT DOCUMENTS

D792,151 S \* 7/2017 Berger ..... D7/401.2  
D803,011 S \* 11/2017 Liu ..... D7/649  
D807,696 S \* 1/2018 Liu ..... D7/401.2  
2012/0079725 A1 \* 4/2012 Hatch ..... B26B 3/00  
30/295  
2017/0165850 A1 \* 6/2017 Rigas ..... B26B 3/00

## OTHER PUBLICATIONS

“Cangshan Swedish Knife Set,” available Feb. 2, 2017, [online], [site visited Mar. 9, 2018]. Available from Internet, URL:<https://www.amazon.com/Cangshan-62304-Swedish-Sandvik-4-Piece/dp/B01NAPB35B> (Year: 2017).\*

“XINZUO 10 inches Damascus Chef Knife,” available Jun. 22, 2017, [online], [site visited Mar. 9, 2018]. Available from Internet, URL:[https://www.amazon.com/XINZUO-Damascus-Stainless-Professional-Rosewood/dp/B0736T2MWZ/ref=sr\\_1\\_9?s=home-garden&ie=UTF8&qid=1520630119&sr=1-9&keywords=xinzuo](https://www.amazon.com/XINZUO-Damascus-Stainless-Professional-Rosewood/dp/B0736T2MWZ/ref=sr_1_9?s=home-garden&ie=UTF8&qid=1520630119&sr=1-9&keywords=xinzuo) (Year: 2017).\*

“Skandia Talvi 4-Piece Steak Knife Set,” available Mar. 16, 2018, [online], [site visited Mar. 16, 2018]. Available from Internet, URL:<https://www.bedbathandbeyond.com/1/1/452775-skandia-talvi-4-piece-steak-knife-set.html> (Year: 2018).\*

“Kanetsugu Pro J Series Gyuto Japan’s great stainless steel ZA-18,” available Mar. 16, 2018, [online], [site visited Mar. 16, 2018]. Available from Internet, URL:<https://japanesechefsknife.com/products/kanetsugu-pro-j-series-gyuto-200mm-230mm-2-sizes> (Year: 2018).\*

“Mcusta Zanmai VG-10 Gyuto Chef Knife 9,” available Jan. 9, 2017, [online], [site visited Mar. 16, 2018]. Available from Internet, URL:<https://www.amazon.com/Mcusta-Zanmai-VG-10-Gyuto-Knife/dp/B01867C6MS> (Year: 2017).\*

\* cited by examiner

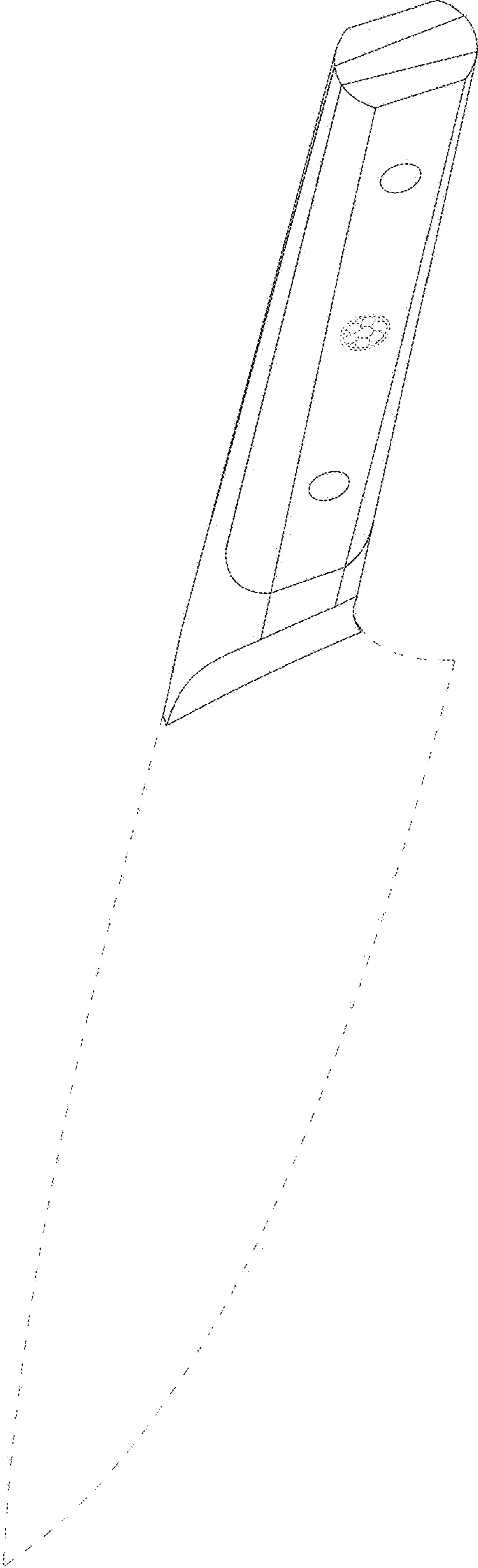


Fig. 1

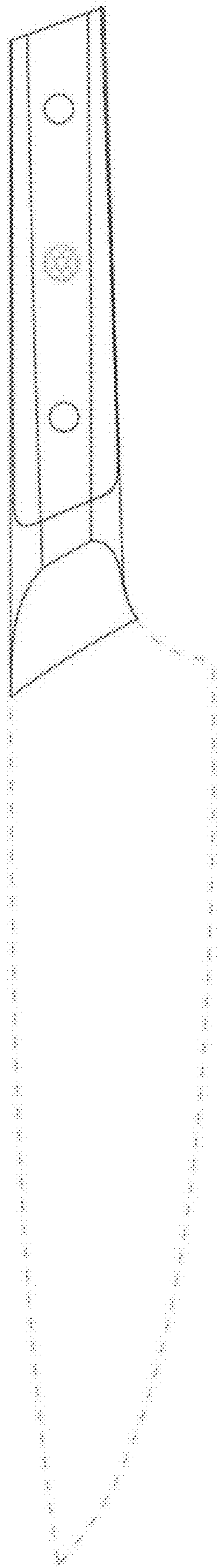


Fig. 2

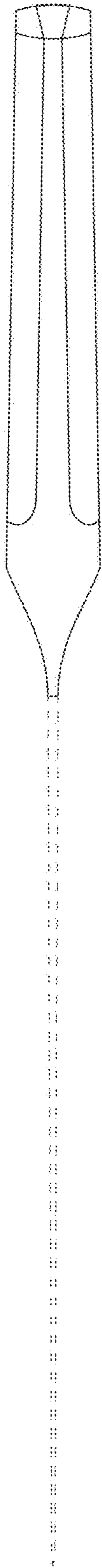


Fig. 3

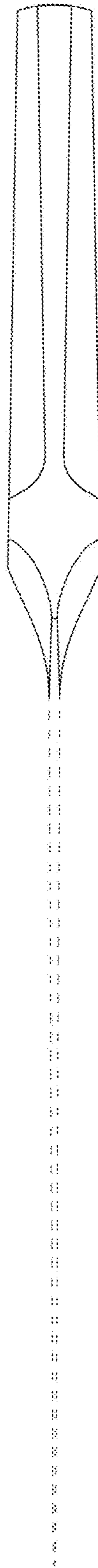


Fig. 4

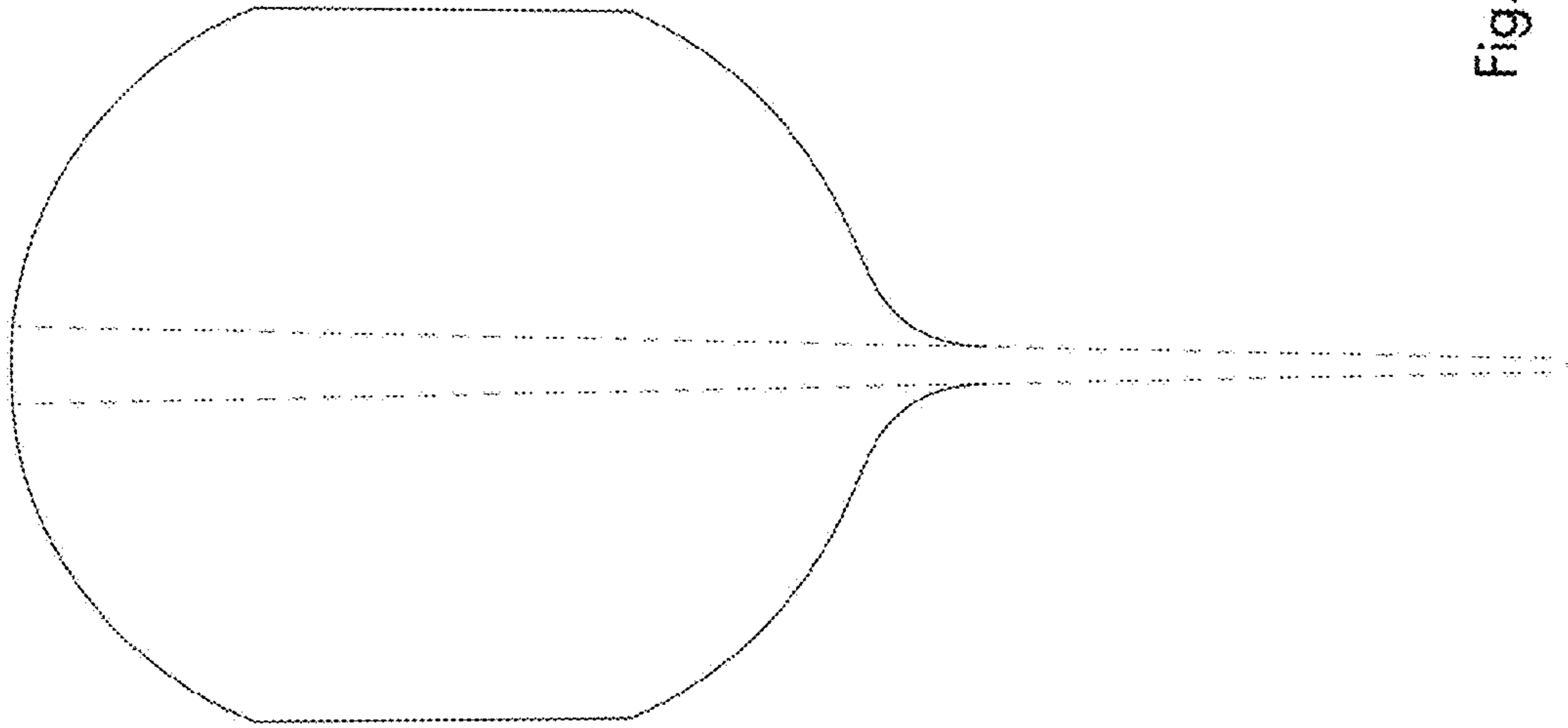


Fig. 6

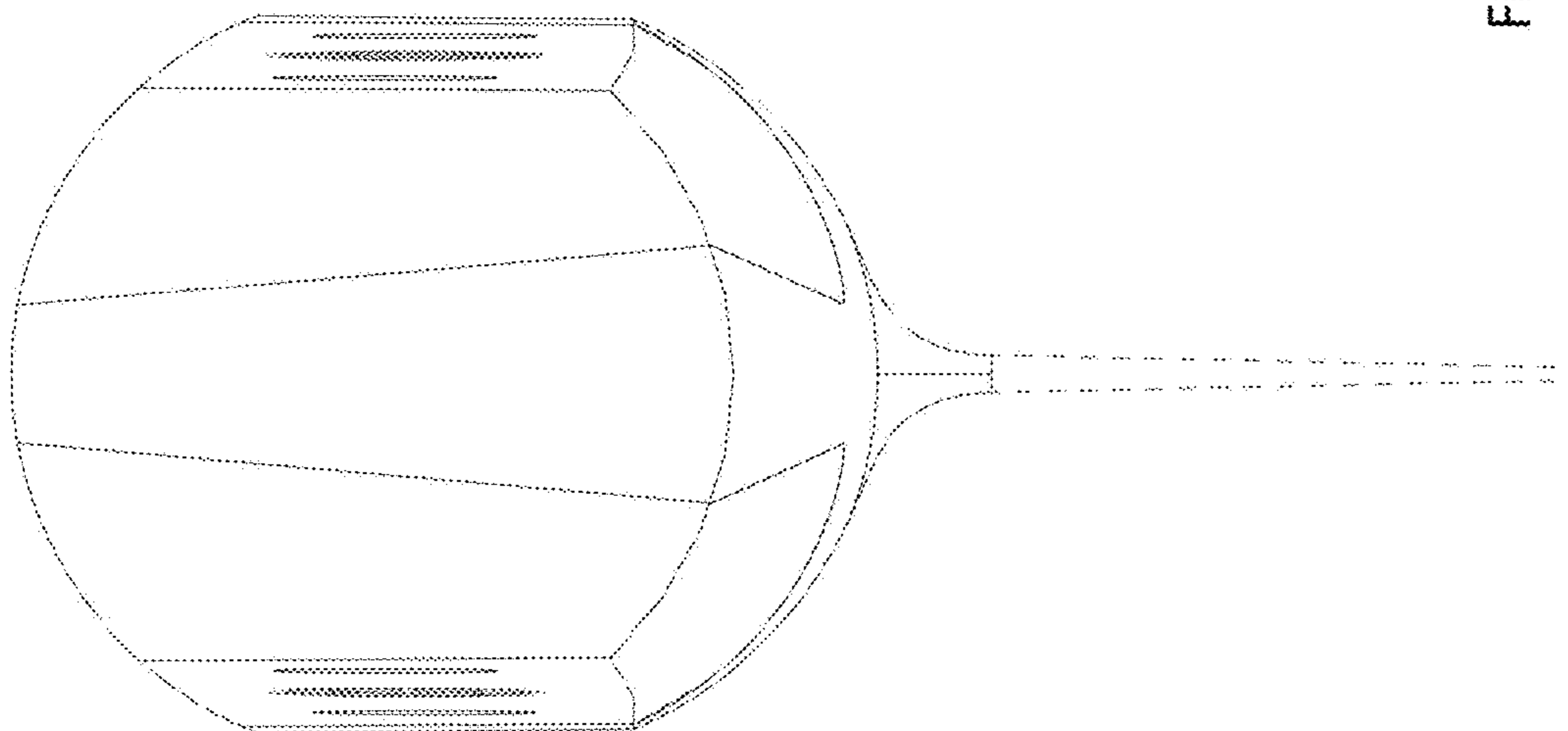


Fig. 5