



US00D838544S

(12) **United States Design Patent** (10) **Patent No.:** **US D838,544 S**
Casper et al. (45) **Date of Patent:** **** Jan. 22, 2019**

(54) **VENTURI DEVICE**
(71) Applicants: **Thomas J Casper**, Waukesha, WI
(US); **Jeffrey Casper**, Minneapolis, MN
(US)
(72) Inventors: **Thomas J Casper**, Waukesha, WI
(US); **Jeffrey Casper**, Minneapolis, MN
(US)
(**) Term: **15 Years**

846,395 A 3/1907 Busenbenz
1,052,051 A 2/1913 Grimes
1,786,357 A 12/1930 Miller
2,241,337 A 5/1941 Work
2,424,654 A 7/1947 Blount
2,899,971 A 8/1959 Munter
3,038,809 A 6/1962 Fitzmaurice et al.
3,304,564 A 2/1967 Green et al.
3,643,688 A 2/1972 Meinert
4,051,204 A 9/1977 Muller et al.
4,157,304 A 6/1979 Molvar
(Continued)

(21) Appl. No.: **29/611,888**
(22) Filed: **Jul. 26, 2017**

FOREIGN PATENT DOCUMENTS

BR 8702702 12/2007
CN 201379435 4/2009
(Continued)

Related U.S. Application Data

(60) Division of application No. 29/581,321, filed on Oct. 18, 2016, now Pat. No. Des. 798,659, which is a division of application No. 29/530,931, filed on Jun. 22, 2015, now Pat. No. Des. 778,667, which is a continuation of application No. 13/398,391, filed on Feb. 16, 2012.

OTHER PUBLICATIONS

International Search Report and Written Opinion for PCT/US12/25444, dated May 29, 2012.

(51) **LOC (11) Cl.** **07-99**
(52) **U.S. Cl.**
USPC **D7/400; D7/667**

Primary Examiner — Marianne Pandozzi
(74) *Attorney, Agent, or Firm* — Ryan Kromholz & Manion, S.C.

(58) **Field of Classification Search**
USPC D7/396.2, 213, 398, 397, 400, 667, 700,
D7/387; D9/436, 435, 440;
261/DIG. 75, 76; 99/275, 323.1;
222/190; 366/163.2; 426/474
CPC .. B01F 3/04503; B01F 3/0446; B01F 5/0428;
B01F 3/04794; B01F 2215/0072; B60D
47/32; A47J 31/02
See application file for complete search history.

(57) **CLAIM**
The ornamental design for a venturi device, as shown and described.

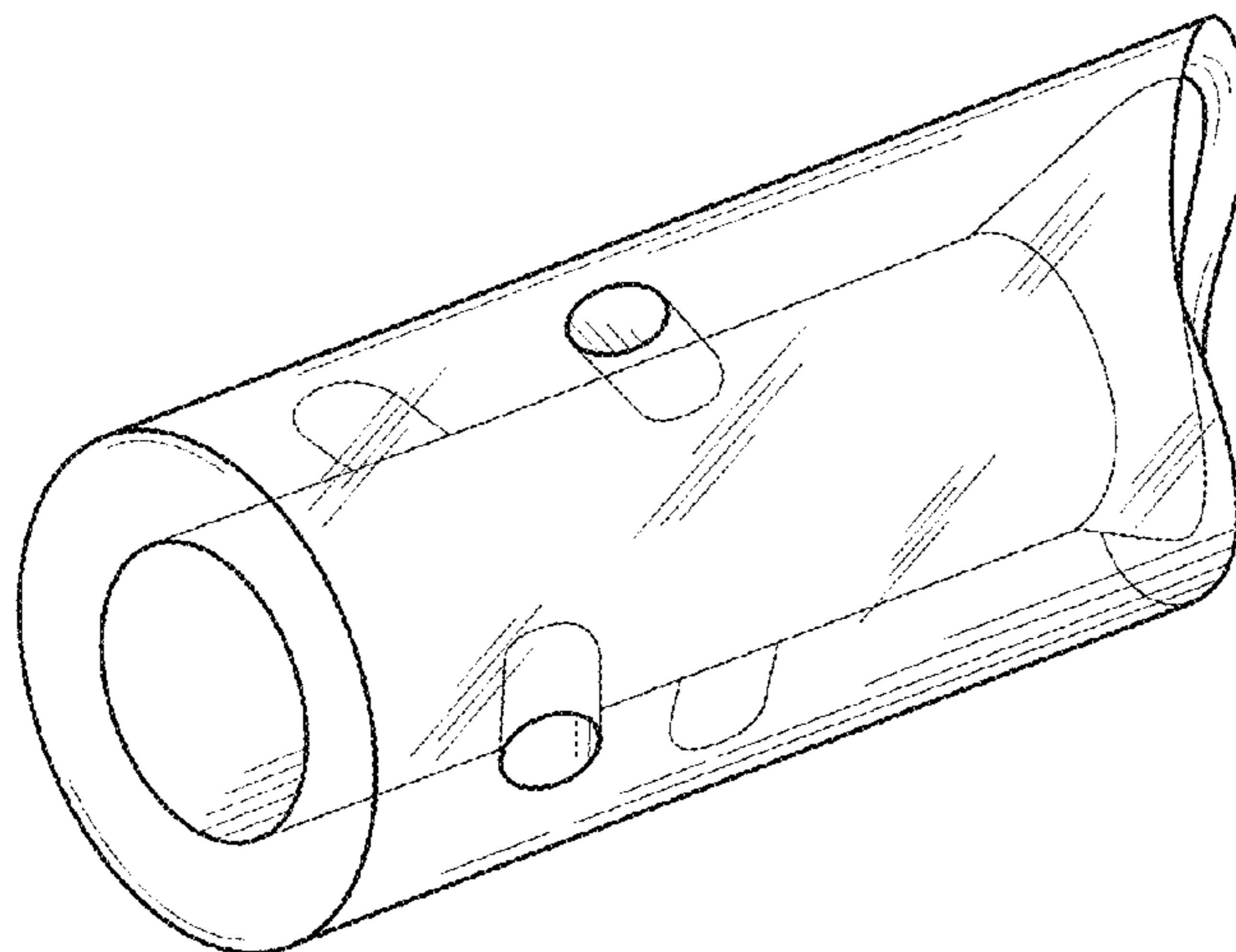
DESCRIPTION

FIG. 1 is a perspective view of an embodiment of the venturi device;
FIG. 2 is a front elevation view;
FIG. 3 is a rear elevation view;
FIG. 4 is a left side elevation view;
FIG. 5 is a right side elevation view;
FIG. 6 is a top plan view thereof; and,
FIG. 7 is a bottom plan view thereof.

(56) **References Cited**
U.S. PATENT DOCUMENTS

141,361 A 7/1873 Korting
513,857 A 1/1894 Adam

1 Claim, 2 Drawing Sheets



(56)

References Cited

U.S. PATENT DOCUMENTS

4,215,081 A * 7/1980 Brooks B01F 3/04517
261/122.1

4,264,212 A 4/1981 Tookey

4,308,138 A * 12/1981 Woltman B01F 3/0876
210/220

4,389,312 A * 6/1983 Beard C02F 3/1294
210/194

4,405,087 A 9/1983 Mata-Garza

4,573,803 A 3/1986 Gritters et al.

4,595,121 A 6/1986 Schultz

4,721,126 A 1/1988 Horii

4,761,077 A 8/1988 Werner

5,211,475 A 5/1993 McDermott

5,403,475 A * 4/1995 Allen B01D 19/0005
159/47.1

5,538,027 A 7/1996 Adamson et al.

5,577,670 A 11/1996 Omata et al.

5,595,104 A 1/1997 Delaplaine

5,645,223 A 7/1997 Hull et al.

5,713,263 A * 2/1998 Burks, III B01F 3/0446
99/277.2

5,839,670 A 11/1998 Omata et al.

5,893,641 A * 4/1999 Garcia B01F 5/0413
137/888

6,253,667 B1 7/2001 Lussi et al.

6,279,611 B2 8/2001 Uematsu et al.

6,290,917 B1 9/2001 Yamamoto

6,299,343 B1 10/2001 Peterman

6,523,991 B1 2/2003 Maklad

6,568,660 B1 5/2003 Flanbaum et al.

6,623,154 B1 9/2003 Garcia

6,986,506 B2 * 1/2006 Chapman B01F 3/0446
261/116

6,994,276 B2 2/2006 Faye et al.

7,140,558 B2 11/2006 McCracken et al.

7,156,377 B2 1/2007 Chapman et al.

7,188,743 B1 3/2007 Gates et al.

7,299,743 B2 11/2007 Moore

D624,355 S 8/2009 Tiso

7,614,614 B2 * 11/2009 Sabadicci B01F 5/0413
261/76

7,726,870 B1 6/2010 Lott

D624,358 S * 9/2010 Maufette D7/387

7,841,584 B2 * 11/2010 Sabadicci B01F 5/0413
261/76

D655,977 S * 3/2012 Hassur D7/213

8,485,503 B2 * 7/2013 Lei B01F 3/04751
261/119.1

8,590,865 B2 * 11/2013 Heyman B01F 5/043
261/111

8,727,324 B2 * 5/2014 Borden B01F 5/0428
222/190

8,807,358 B2 * 8/2014 Devoy B01F 3/0446
215/309

D720,959 S * 1/2015 Mok D7/392

8,925,443 B2 * 1/2015 Agarwal B01F 5/0426
99/277.1

9,120,065 B2 * 9/2015 Santrach B01F 3/04794

D741,645 S * 10/2015 Lau D7/397

9,205,385 B2 * 12/2015 Sabadicci B01F 3/0446

9,399,197 B2 * 7/2016 Graham B01F 5/0428

2002/0069645 A1 6/2002 Mowill

2003/0232115 A1 12/2003 Eckenhausen et al.

2006/0027938 A1 2/2006 Chapman et al.

2007/0187848 A1 8/2007 Sabadicci et al.

2007/0295761 A1 12/2007 Simons

2009/0160072 A1 6/2009 Chiorazzi

2011/0042835 A1 2/2011 Sabadicci et al.

2012/0206993 A1 * 8/2012 Casper B01F 3/04503
366/163.2

2015/0174537 A1 * 6/2015 Foldesi, Jr. B01F 3/04794
261/79.2

FOREIGN PATENT DOCUMENTS

DE 29710631 6/1997

GB 323242 6/1928

SU 605830 8/1976

* cited by examiner

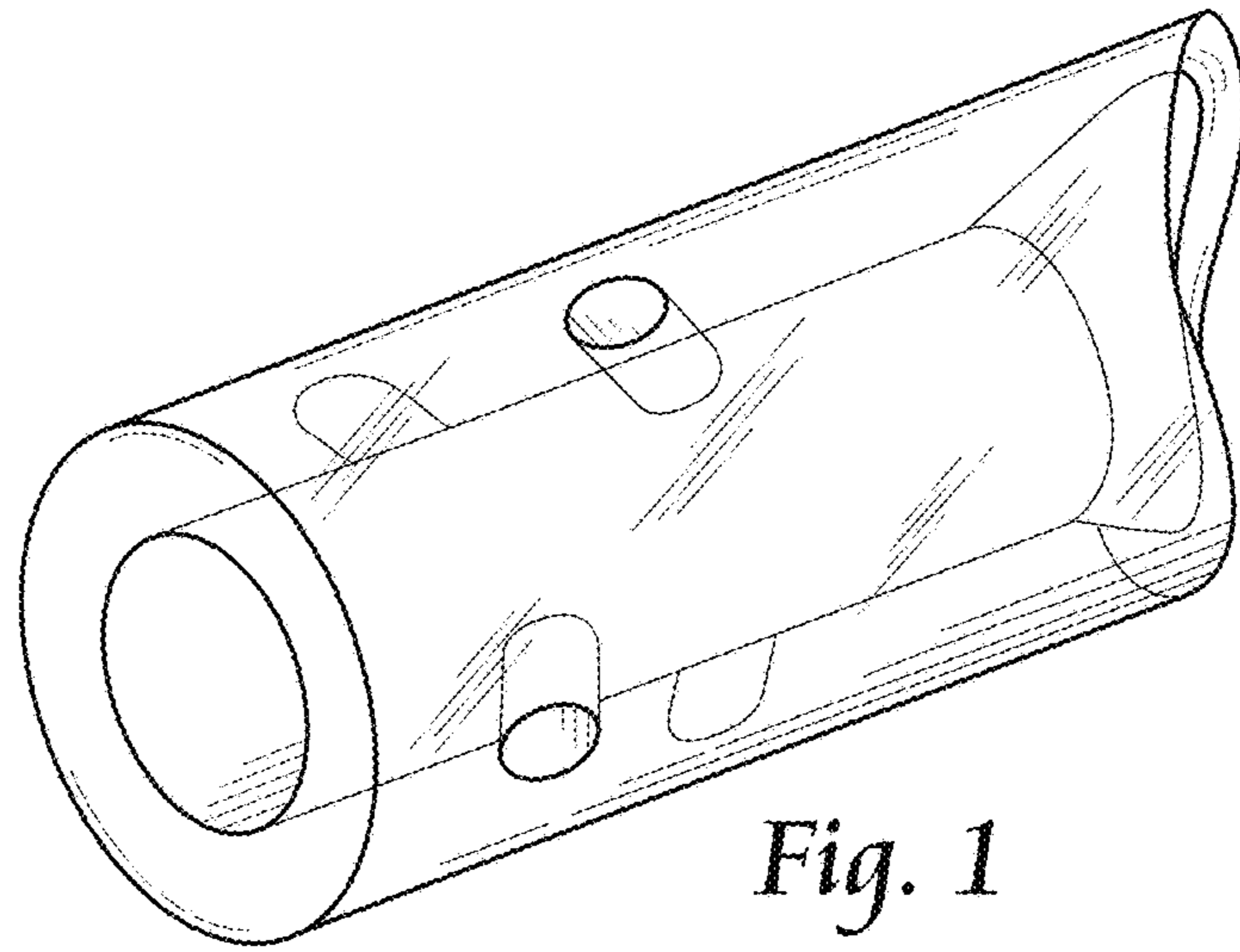


Fig. 1

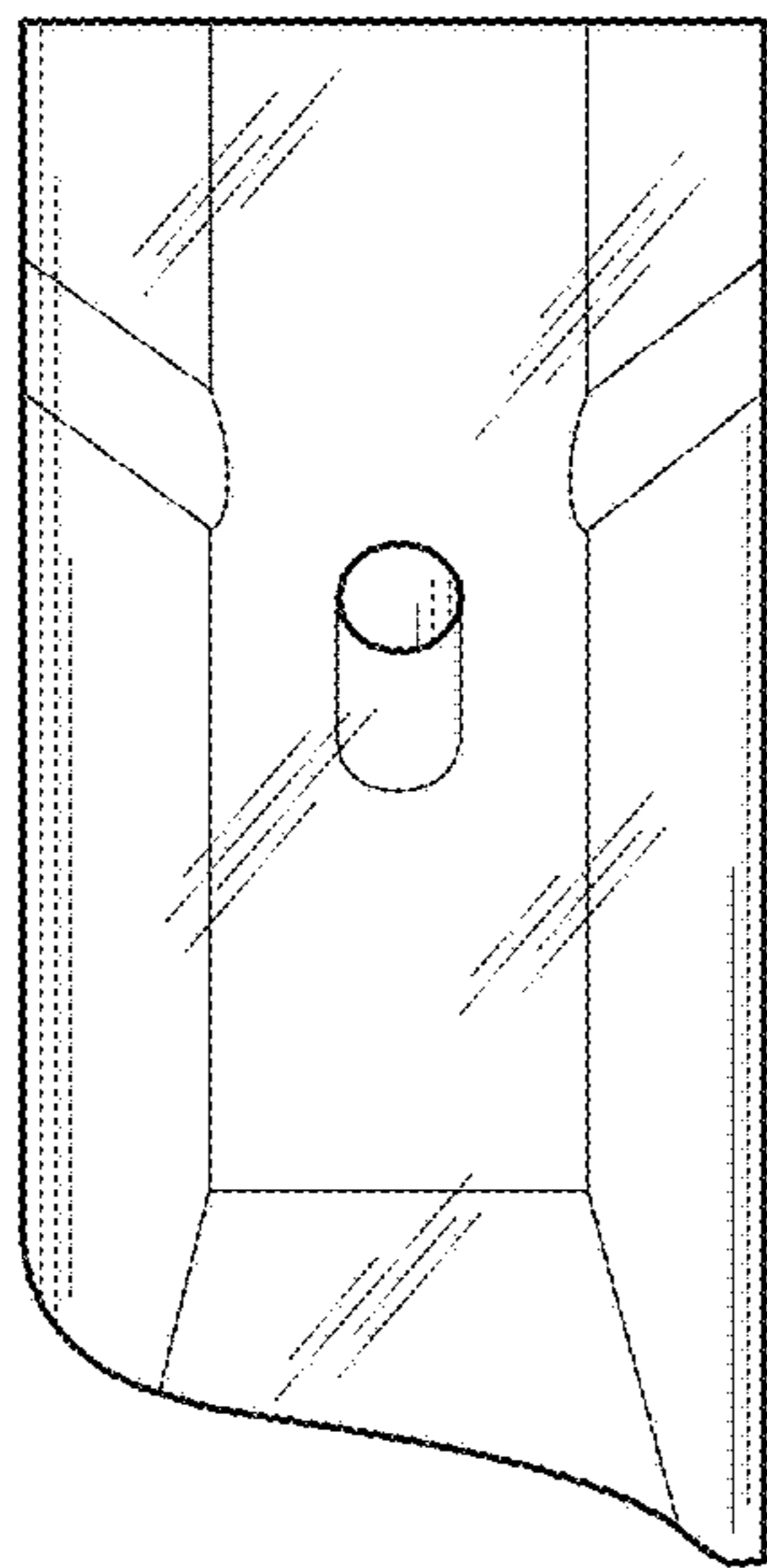


Fig. 2

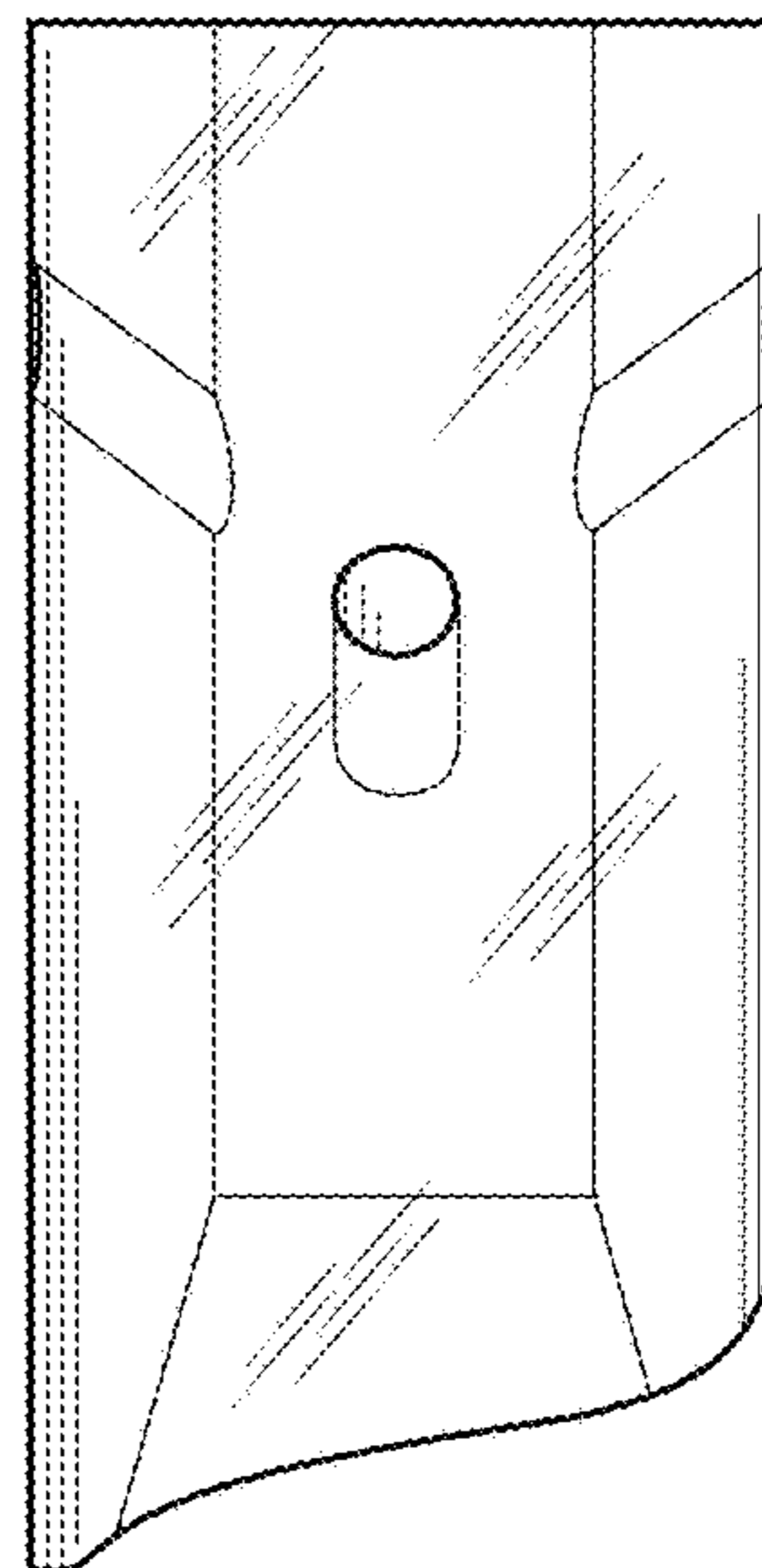


Fig. 3

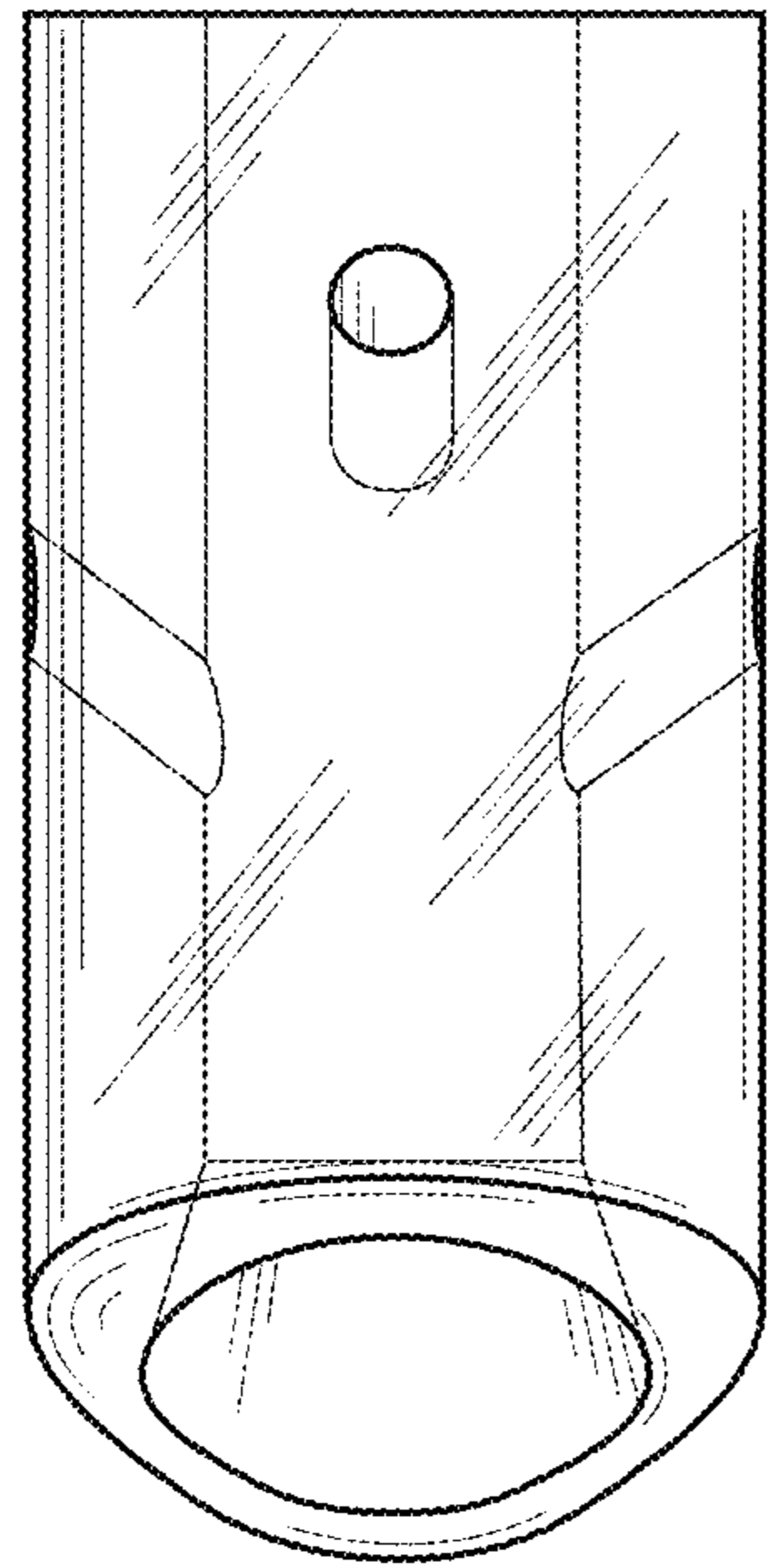


Fig. 4

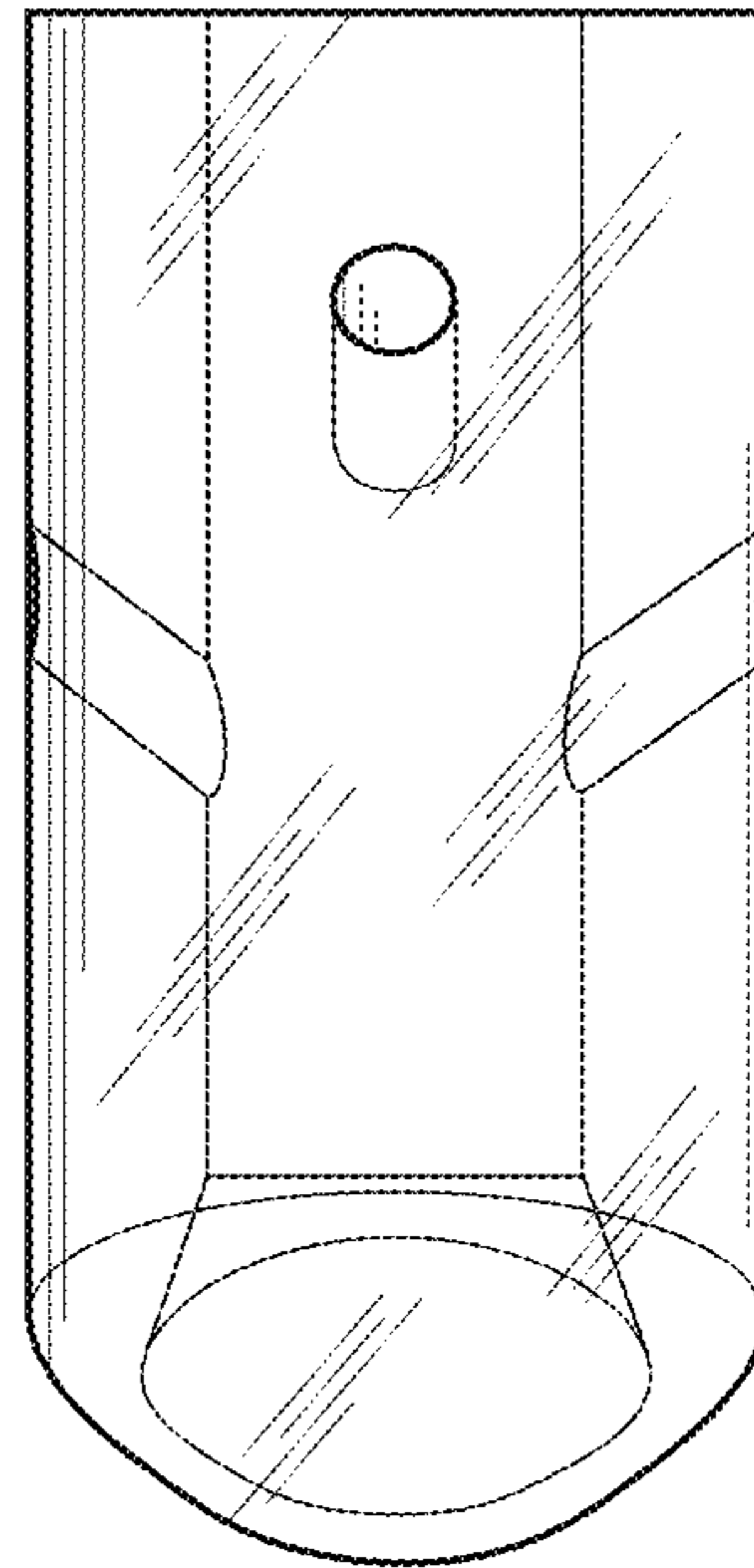


Fig. 5

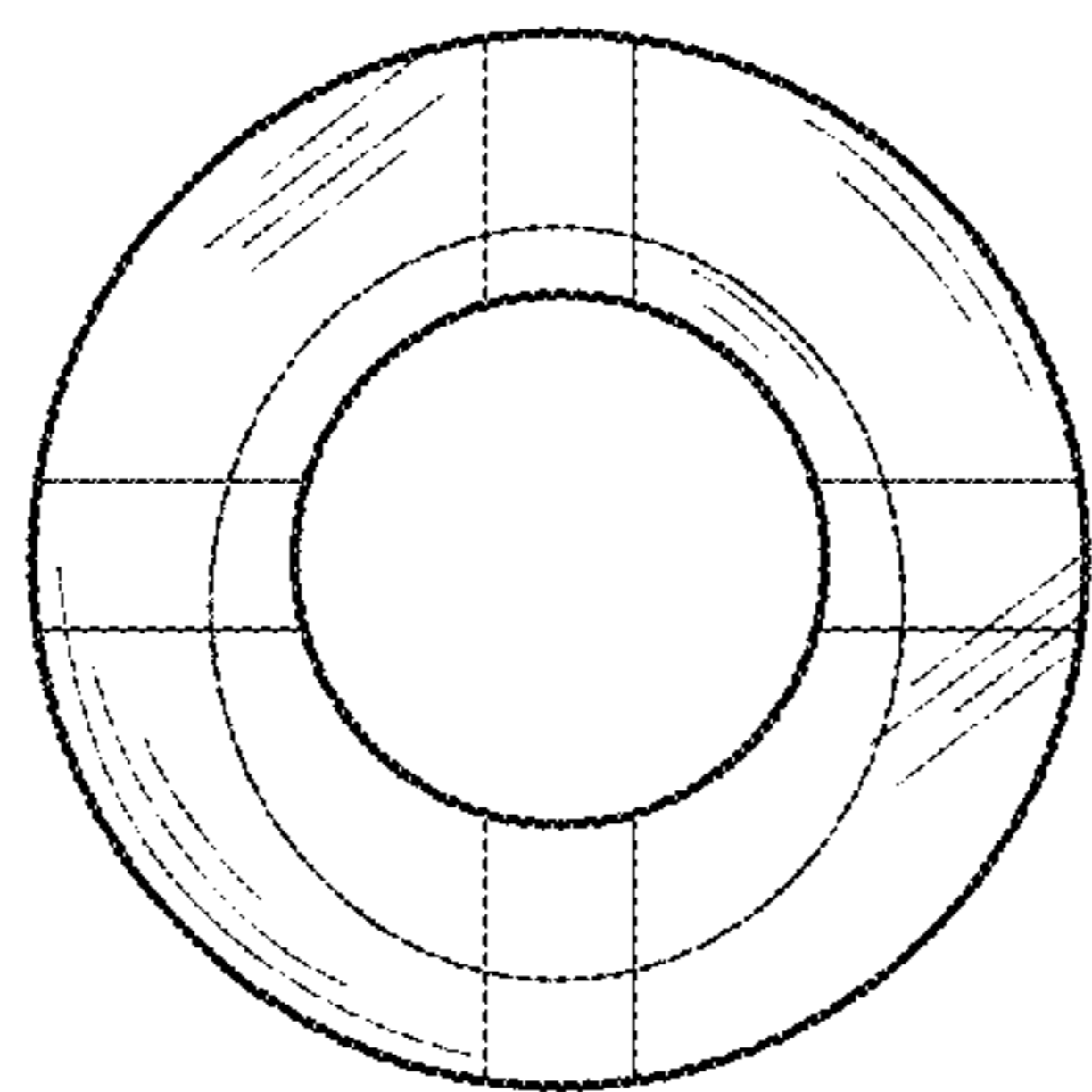


Fig. 6

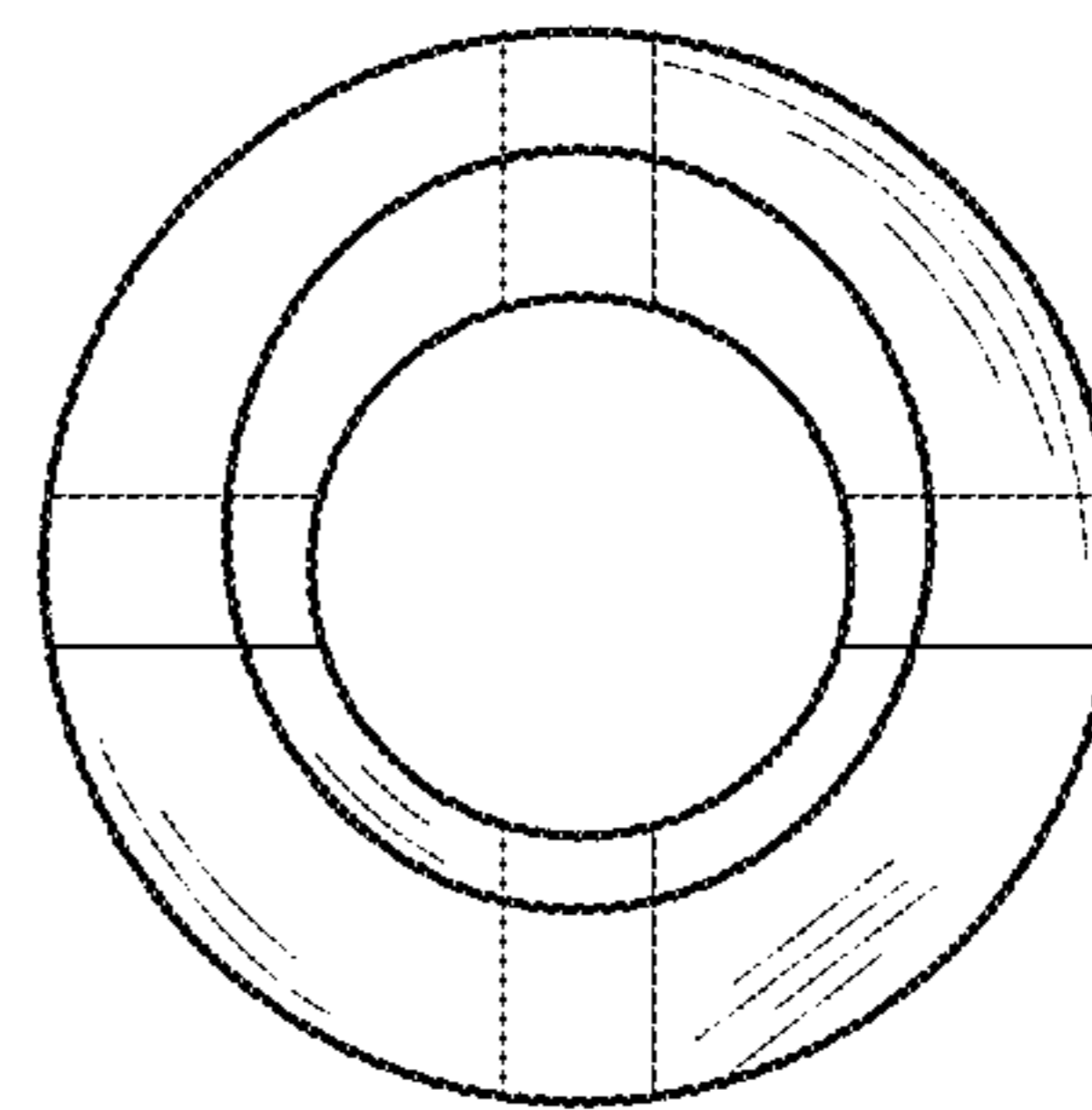


Fig. 7