



US00D838541S

(12) **United States Design Patent** (10) **Patent No.:** **US D838,541 S**
Carter, IV et al. (45) **Date of Patent:** **** Jan. 22, 2019**

(54) **WINE AERATOR**
(71) Applicant: **Frank Carter, IV**, Bozeman, MT (US)
(72) Inventors: **Frank Carter, IV**, Bozeman, MT (US);
Kai Hogen, Bozeman, MT (US)
(**) Term: **15 Years**
(21) Appl. No.: **29/618,760**

D710,649 S * 8/2014 Kihl D7/300
D772,004 S * 11/2016 Khan D7/397
2007/0256568 A1 11/2007 Nudi et al.
2010/0314274 A1* 12/2010 Saunders B65D 77/0486
206/427
2011/0274805 A1 11/2011 Nudi, Jr. et al.
2012/0156338 A1* 6/2012 Agarwal B01F 5/0426
426/231
2013/0140721 A1* 6/2013 Borden B01F 5/0428
261/76

(22) Filed: **Sep. 23, 2017**
(51) **LOC (11) Cl.** **07-99**
(52) **U.S. Cl.**
USPC **D7/397**
(58) **Field of Classification Search**
USPC D7/397, 387, 398, 213, 368, 700, 412,
D7/415; D9/435, 434, 436, 439, 440,
D9/447, 452; D24/216, 224, 232
CPC A47G 23/0241; B65D 3/24; F17C
2201/0128; F17C 2201/0123
See application file for complete search history.

OTHER PUBLICATIONS

https://www.amazon.com/Final-Touch-Conundrum-Bottle-Aerator/dp/B00NNXN1F2/ref=sr_1_sc_1?ie=UTF8&qid=1531346047&sr=8-1-spell&keywords=Final+Touch%C2%Ae+OnThe+Bottle+Conundrum+Wine+Aerator.*

* cited by examiner

Primary Examiner — Derrick E Holland
Assistant Examiner — Andrew Kerr

(56) **References Cited**

U.S. PATENT DOCUMENTS

5,263,912 A 11/1993 Stelmach
5,713,263 A 2/1998 Burks
D514,901 S 2/2006 Wang
D535,559 S 1/2007 Kehoe
D570,652 S 1/2008 Nudi, Jr. et al.
D575,108 S * 8/2008 Barducci D7/509
D619,431 S 7/2010 Wax
D640,904 S 7/2011 Wax
D644,938 S * 9/2011 Saunders D9/716
D655,977 S 5/2012 Hassur et al.
D660,078 S 5/2012 Kehoe
D674,238 S * 1/2013 Zimmer A47G 19/2255
D7/396.2
8,590,865 B2 * 11/2013 Heyman B01F 5/043
261/111

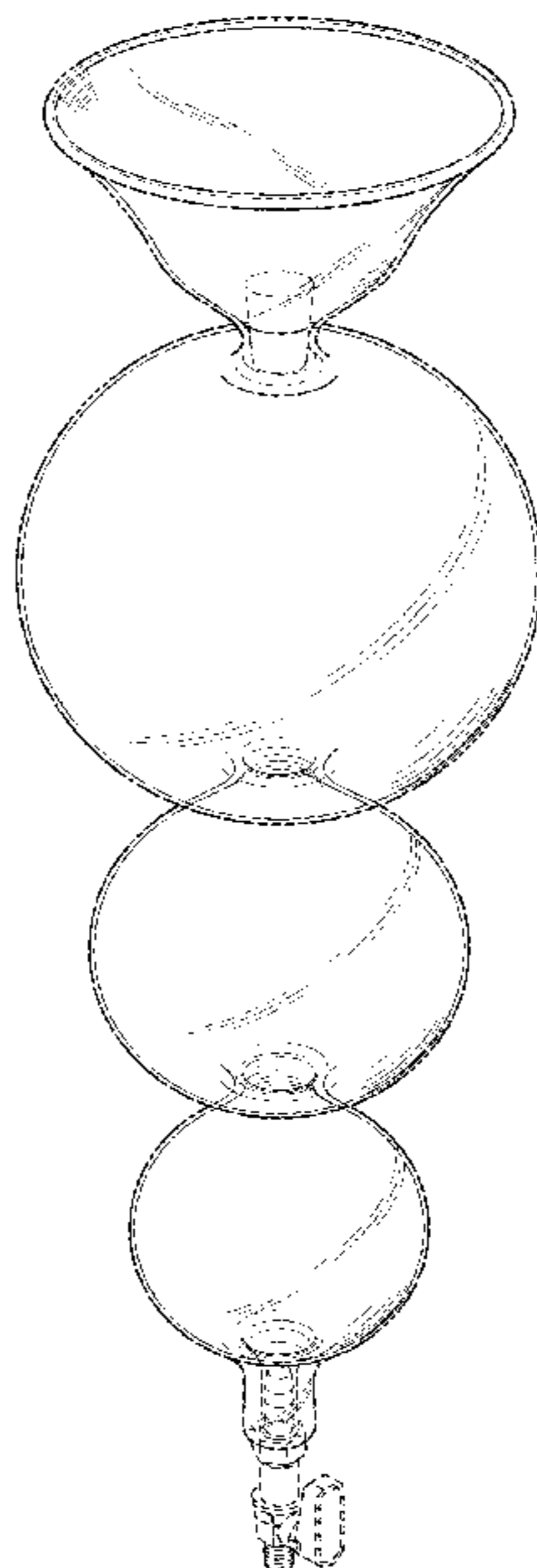
(57) **CLAIM**

The ornamental design for a wine aerator, as shown and described.

DESCRIPTION

FIG. 1 is a perspective view of a wine aerator, showing our new design.
FIG. 2 is a front view thereof.
FIG. 3 is a left side view thereof.
FIG. 4 is a rear view thereof.
FIG. 5 is a right side view thereof.
FIG. 6 is a top view thereof; and,
FIG. 7 is a bottom view thereof.
The broken lines in the drawing views represent environmental structure and form no part of the claimed design.

1 Claim, 4 Drawing Sheets



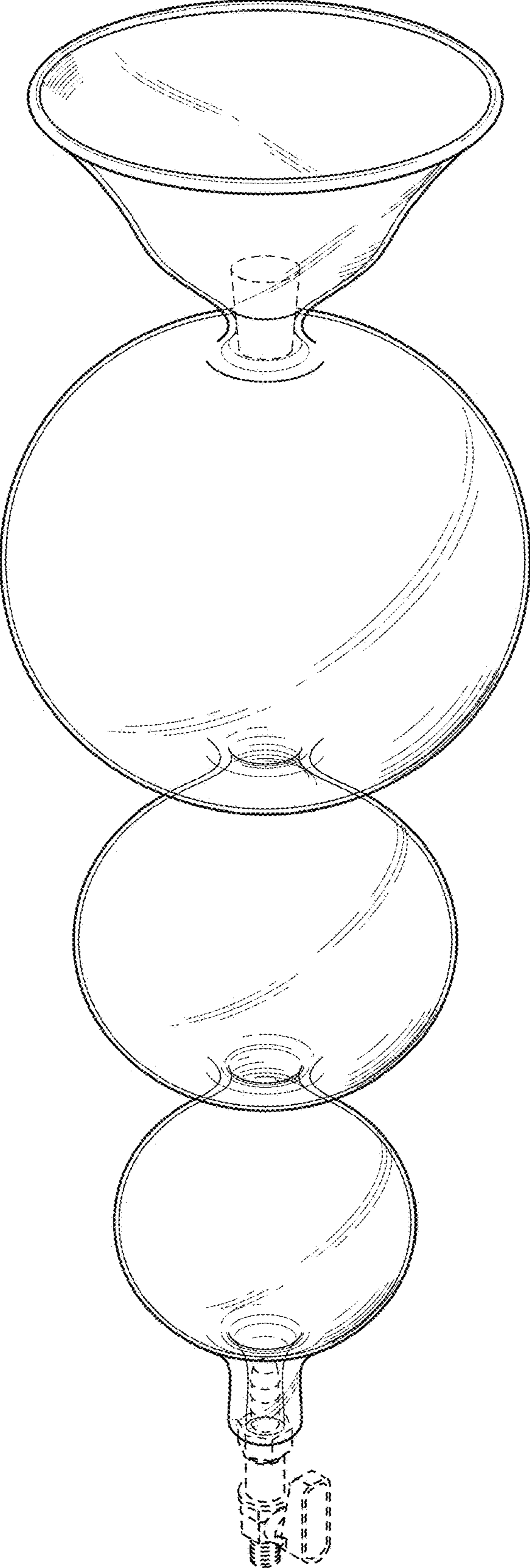


FIG. 1

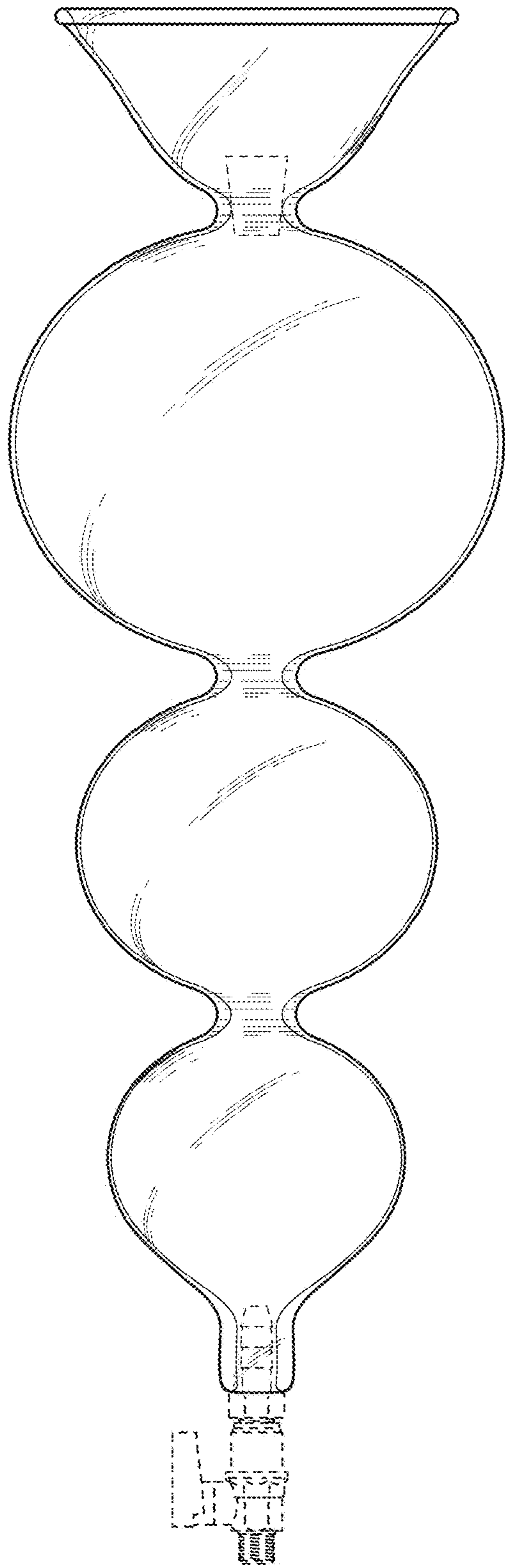


FIG. 2

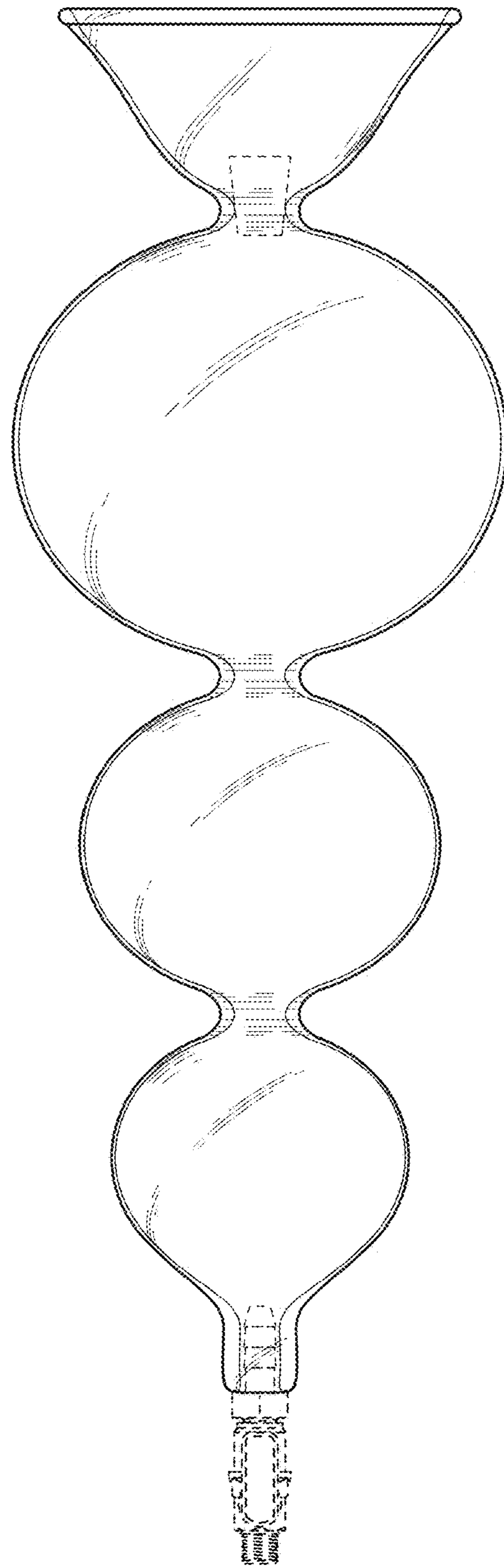


FIG. 3

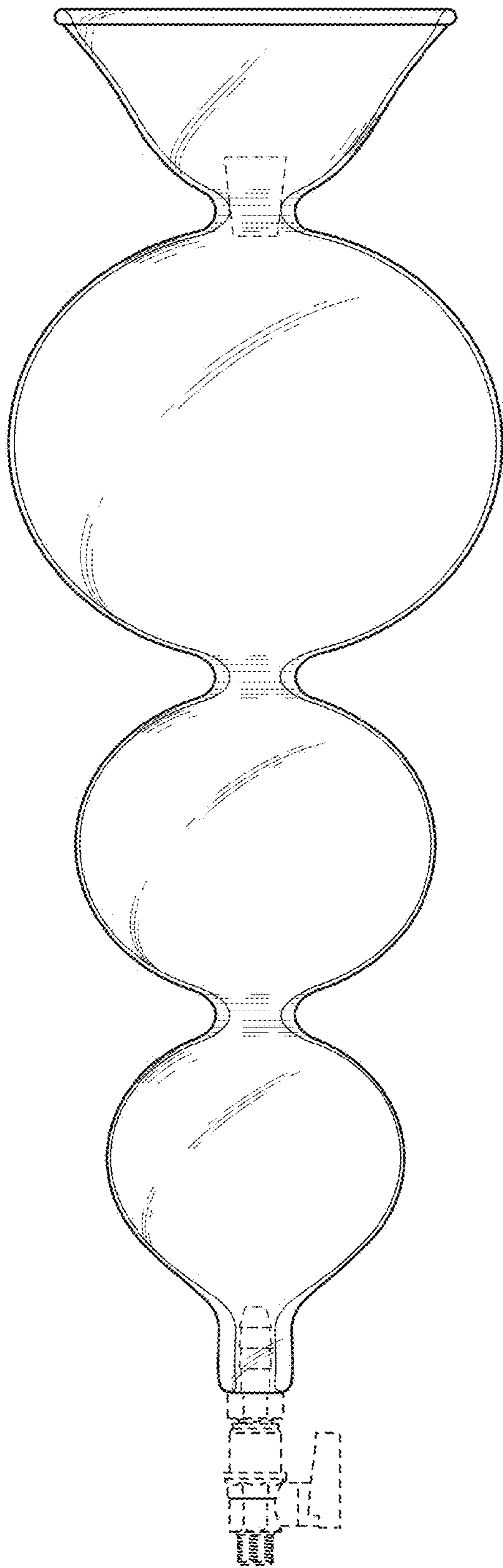


FIG. 4

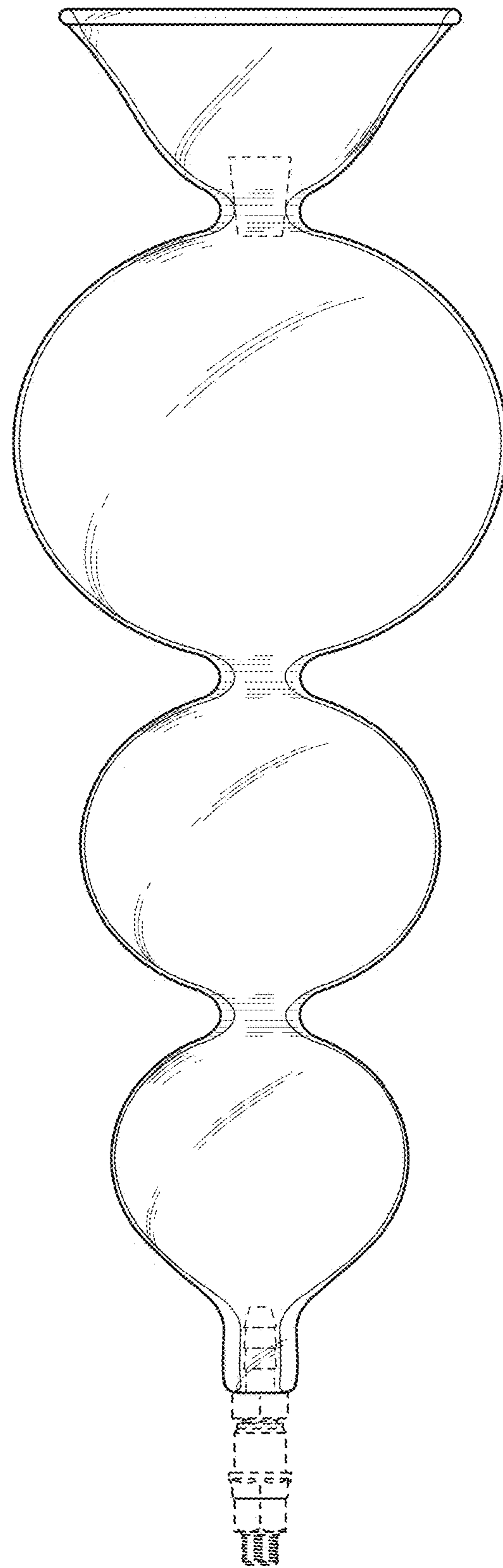


FIG. 5

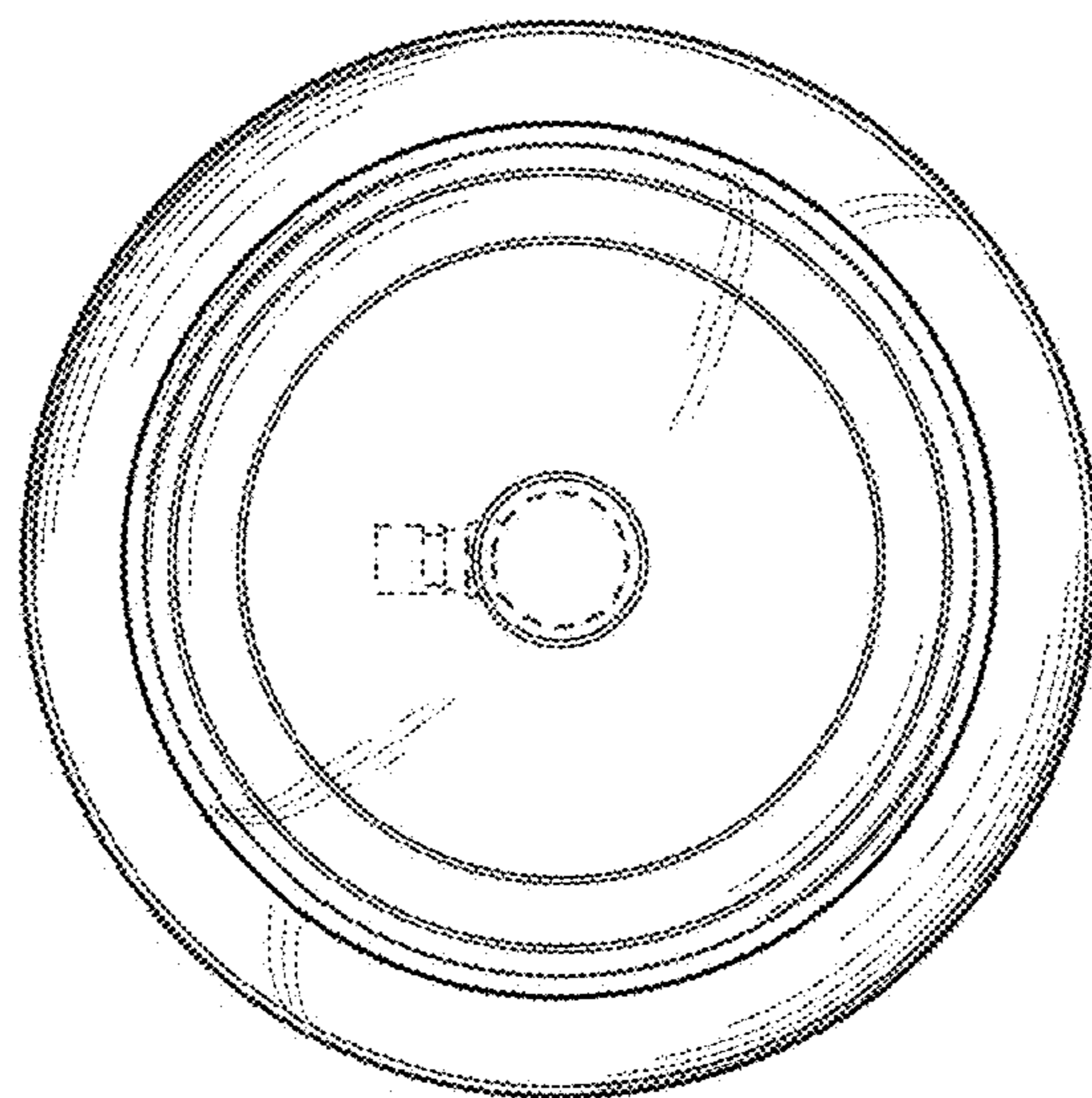


FIG. 6

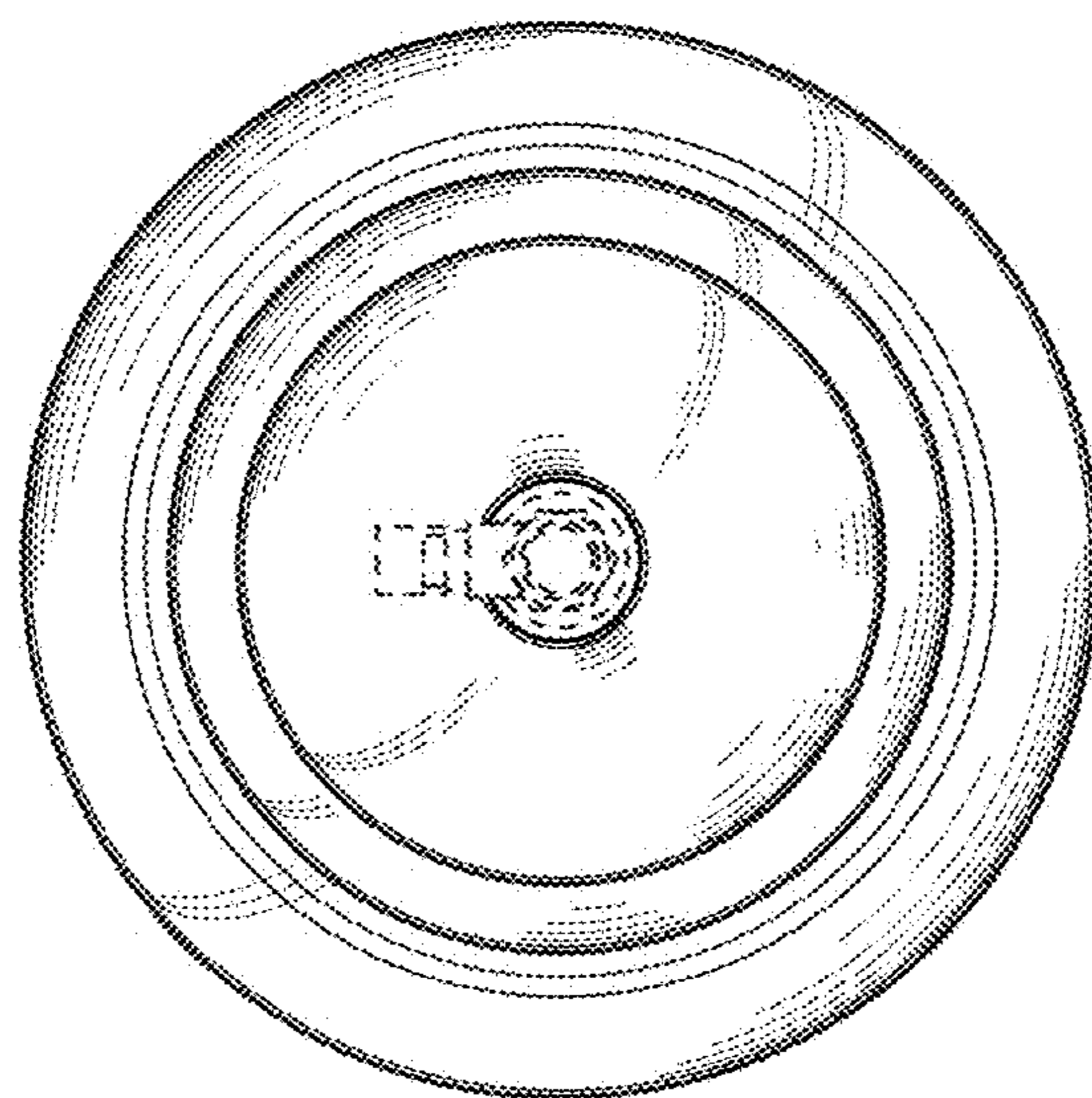


FIG. 7