



US00D838540S

(12) **United States Design Patent**
Gnadinger

(10) **Patent No.:** **US D838,540 S**

(45) **Date of Patent:** **** Jan. 22, 2019**

(54) **BEVERAGE DISPENSER**

D298,505 S * 11/1988 Frech D7/308
D312,021 S * 11/1990 Mohat D7/308
D335,062 S * 4/1993 Kolada D15/80

(Continued)

(71) Applicant: **Grindmaster Corporation**, Louisville,
KY (US)

(72) Inventor: **Errin Whitney Gnadinger**, Louisville,
KY (US)

(73) Assignee: **Grindmaster Corporation**, Louisville,
KY (US)

(**) Term: **15 Years**

(21) Appl. No.: **29/602,659**

(22) Filed: **May 2, 2017**

Related U.S. Application Data

(62) Division of application No. 29/541,865, filed on Oct.
8, 2015, now Pat. No. Des. 789,133.

(51) **LOC (11) Cl.** **07-01**

(52) **U.S. Cl.**

USPC **D7/397**; D7/308; D7/307

(58) **Field of Classification Search**

USPC D7/305-311, 313, 397, 399; D15/82;
222/129.1, 146.6; 99/295; D20/1, 4

CPC A47J 31/44; A47J 31/4403; A47J 31/46;
B67D 1/36; B67D 2210/0065; B67D
1/0864; B67D 1/06; A23C 9/122

See application file for complete search history.

(56) **References Cited**

U.S. PATENT DOCUMENTS

D206,519 S * 12/1966 Wolfe D7/308
D215,045 S * 8/1969 Benjamin D7/309
D233,271 S * 10/1974 Holcomb D7/308
D261,390 S * 10/1981 Harvill D7/307
D272,975 S * 3/1984 Miller D7/309
4,658,892 A * 4/1987 Shinohara F28F 13/187
165/133

OTHER PUBLICATIONS

Cecilware Corporation, "Cappuccino & Hot Chocolate Dispensers,"
Full Line Catalog, Dec. 2007.

(Continued)

Primary Examiner — Marianne N Pandozzi

(74) *Attorney, Agent, or Firm* — Stites & Harbison,
PLLC; David W. Nagle, Jr.; James R. Hayne

(57) **CLAIM**

The ornamental design for a beverage dispenser, as shown
and described.

DESCRIPTION

FIG. 1 is a top perspective view of a beverage dispenser
incorporating the design of the present invention;

FIG. 2 is a bottom perspective view of the beverage dis-
penser of FIG. 1;

FIG. 3 is a front view of the beverage dispenser of FIG. 1;

FIG. 4 is a left side view of the beverage dispenser of FIG.
1;

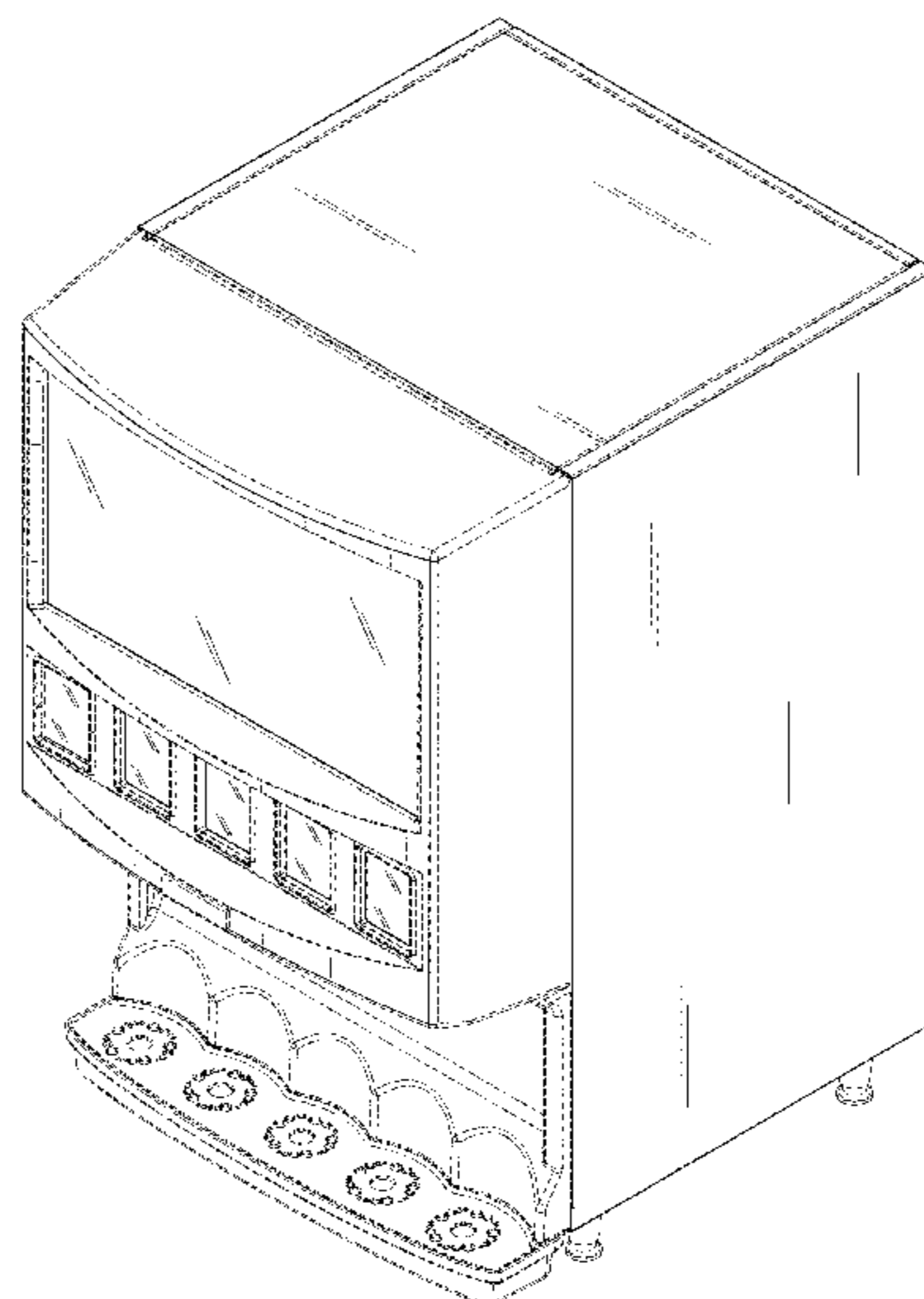
FIG. 5 is a right side view of the beverage dispenser of FIG.
1; and,

FIG. 6 is a top view of the beverage dispenser of FIG. 1.

The rear surface of the beverage dispenser in FIG. 1 is flat
(with the exception of ports shown protruding out of the
beverage dispenser in the left side, right side, and top views
and which are not part of the claimed design) and unorna-
mented. Furthermore, the rear surface of the beverage dis-
penser in FIG. 1 is not visible during normal use.

The broken lines in the drawings depict portions of the
beverage dispenser that form no part of the claimed design.

1 Claim, 6 Drawing Sheets



(56)

References Cited

U.S. PATENT DOCUMENTS

D346,088	S	*	4/1994	Schroeder	D7/306
D367,585	S		3/1996	Piatnik		
D368,617	S	*	4/1996	Jackson	D7/306
D382,761	S	*	8/1997	Ford	D7/307
D390,059	S	*	2/1998	Saito	D7/307
D404,242	S	*	1/1999	Schroeder	D7/307
D453,088	S	*	1/2002	Bell	D7/307
D486,687	S	*	2/2004	Strandell	D7/307
D510,675	S	*	10/2005	Ball	D7/306
D529,750	S	*	10/2006	Baron	D7/307
D553,416	S	*	10/2007	Lin	D7/306
D699,066	S	*	2/2014	Arora	D7/307
D699,501	S	*	2/2014	Arora	D7/307
D709,723	S	*	7/2014	Norris	D7/307
D711,179	S	*	8/2014	Norris	D7/307
D772,003	S	*	11/2016	Broen	D7/307
D776,970	S	*	1/2017	Broen	D7/307
D789,133	S	*	6/2017	Gnadinger	D7/307
D799,880	S	*	10/2017	Broen	D7/307

OTHER PUBLICATIONS

Grindmaster Corporation, "Hot Powder Specialty Beverage Dispensers," Product Catalog, 2004.

* cited by examiner

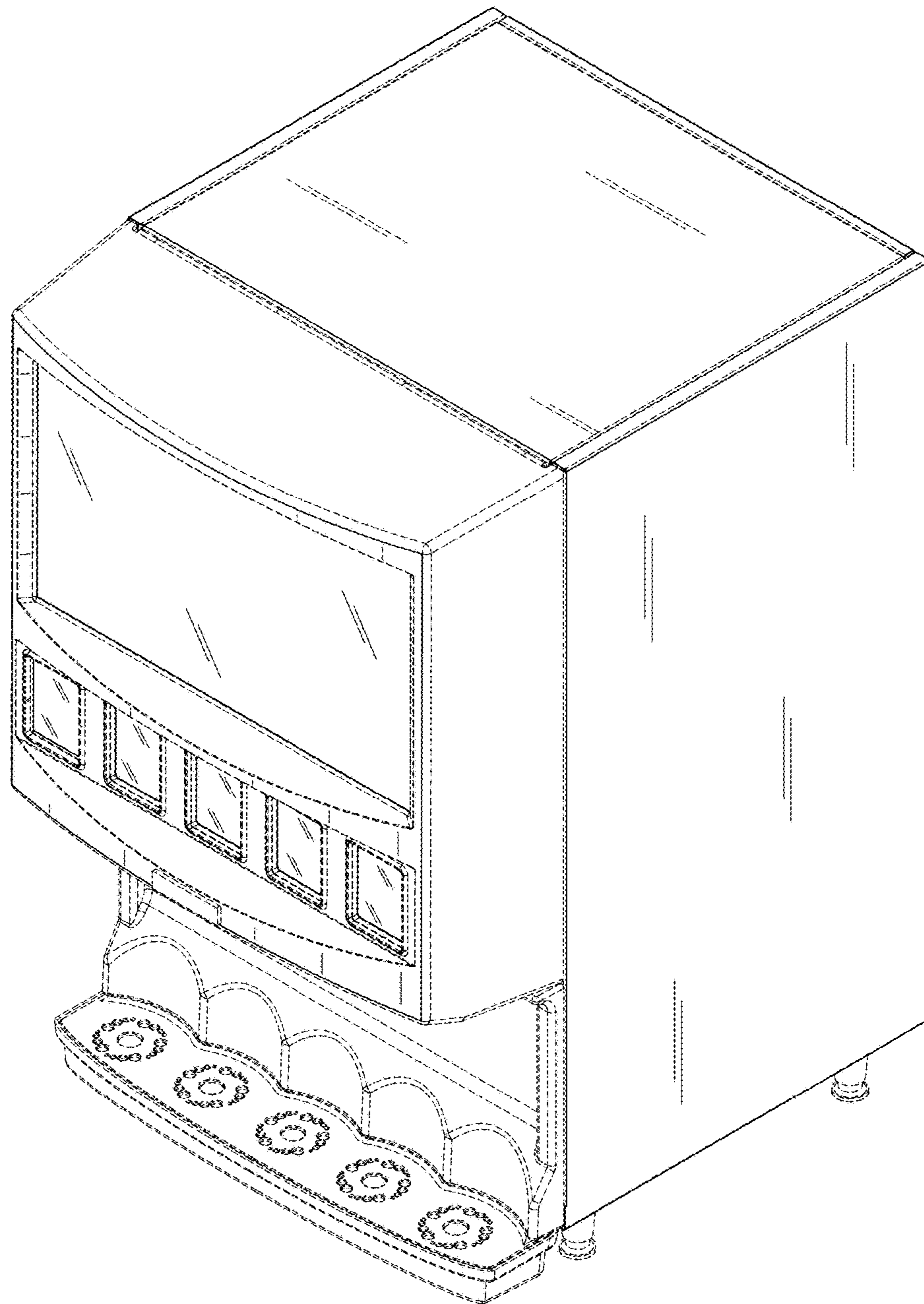


FIG. 1

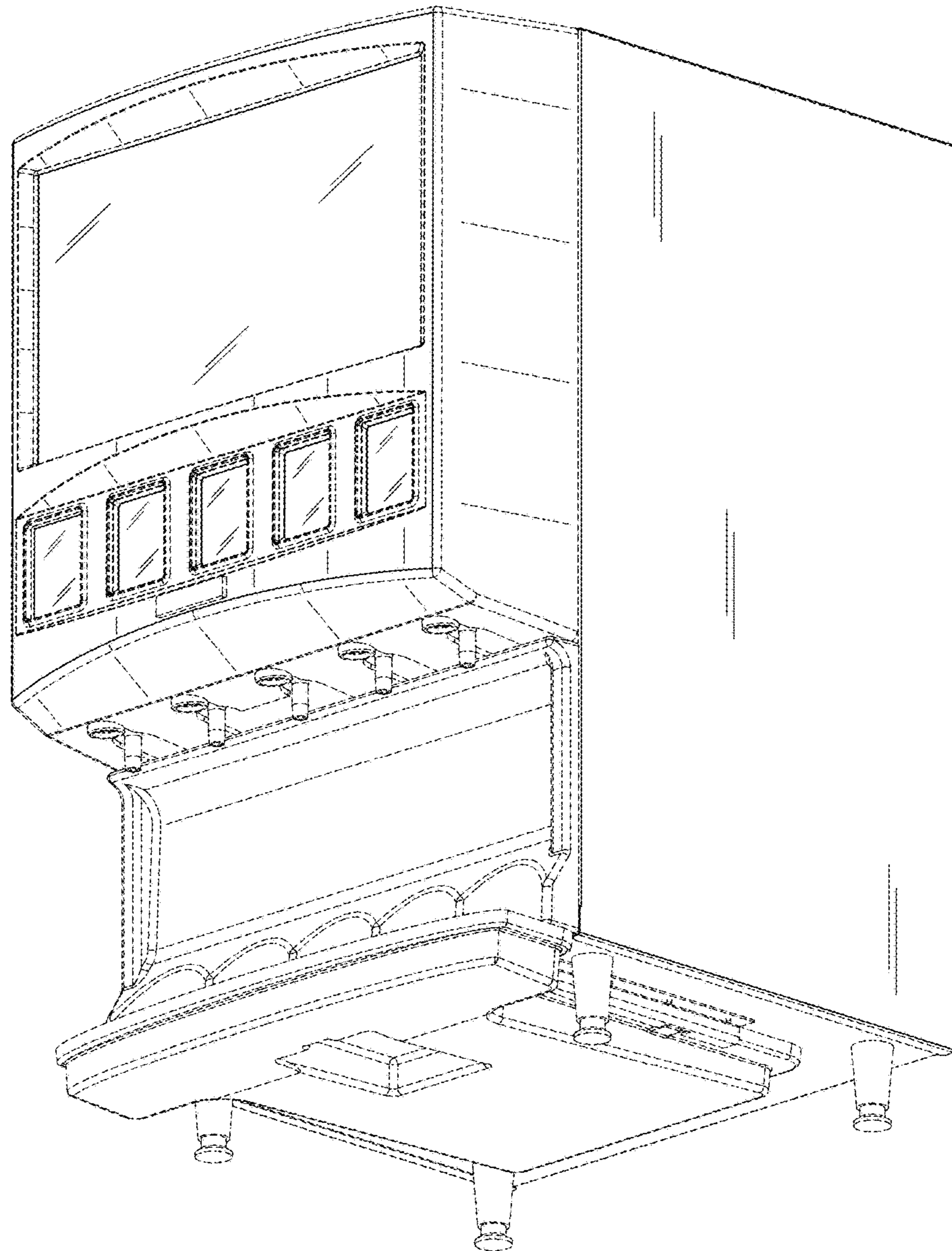


FIG. 2

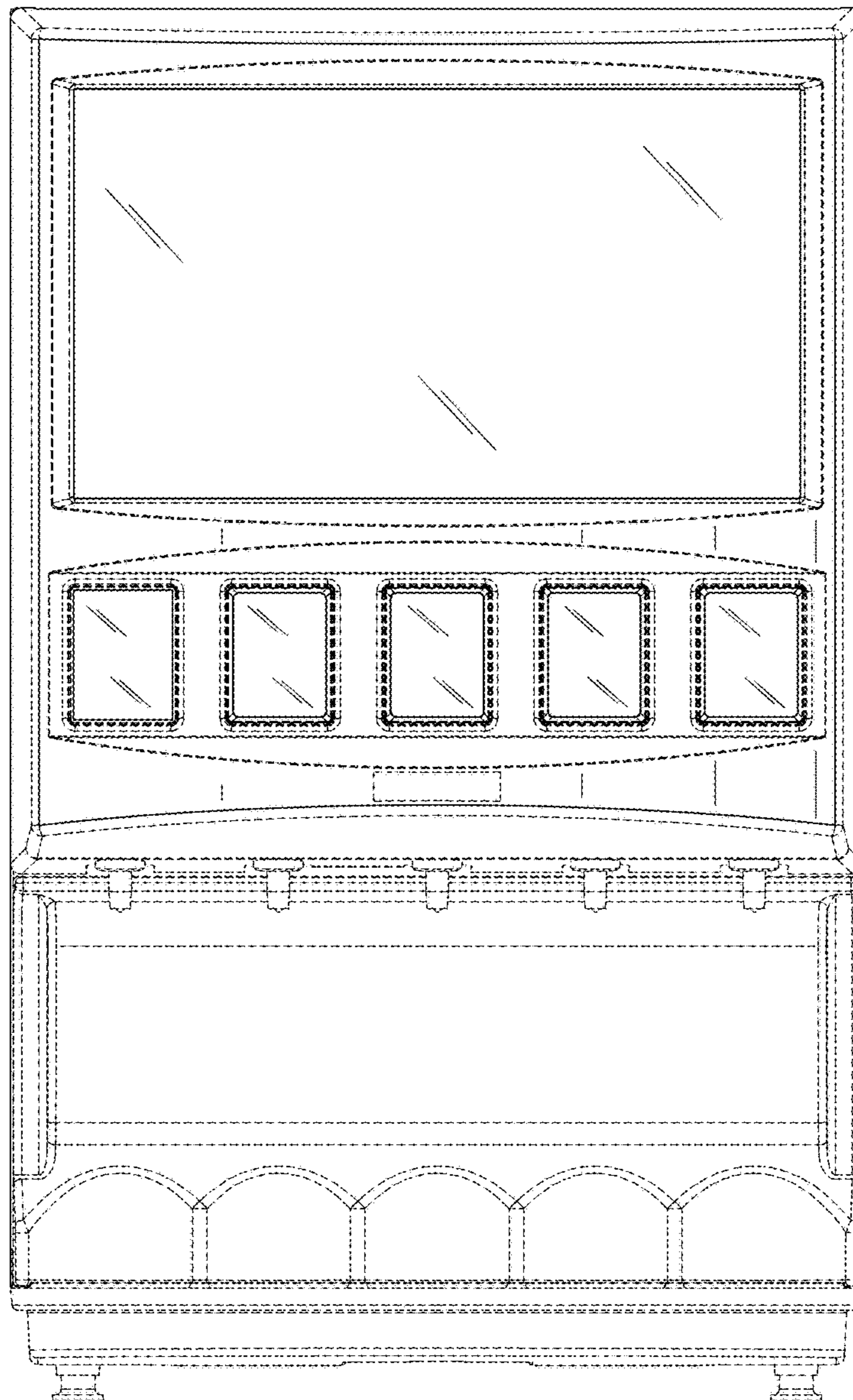


FIG. 3

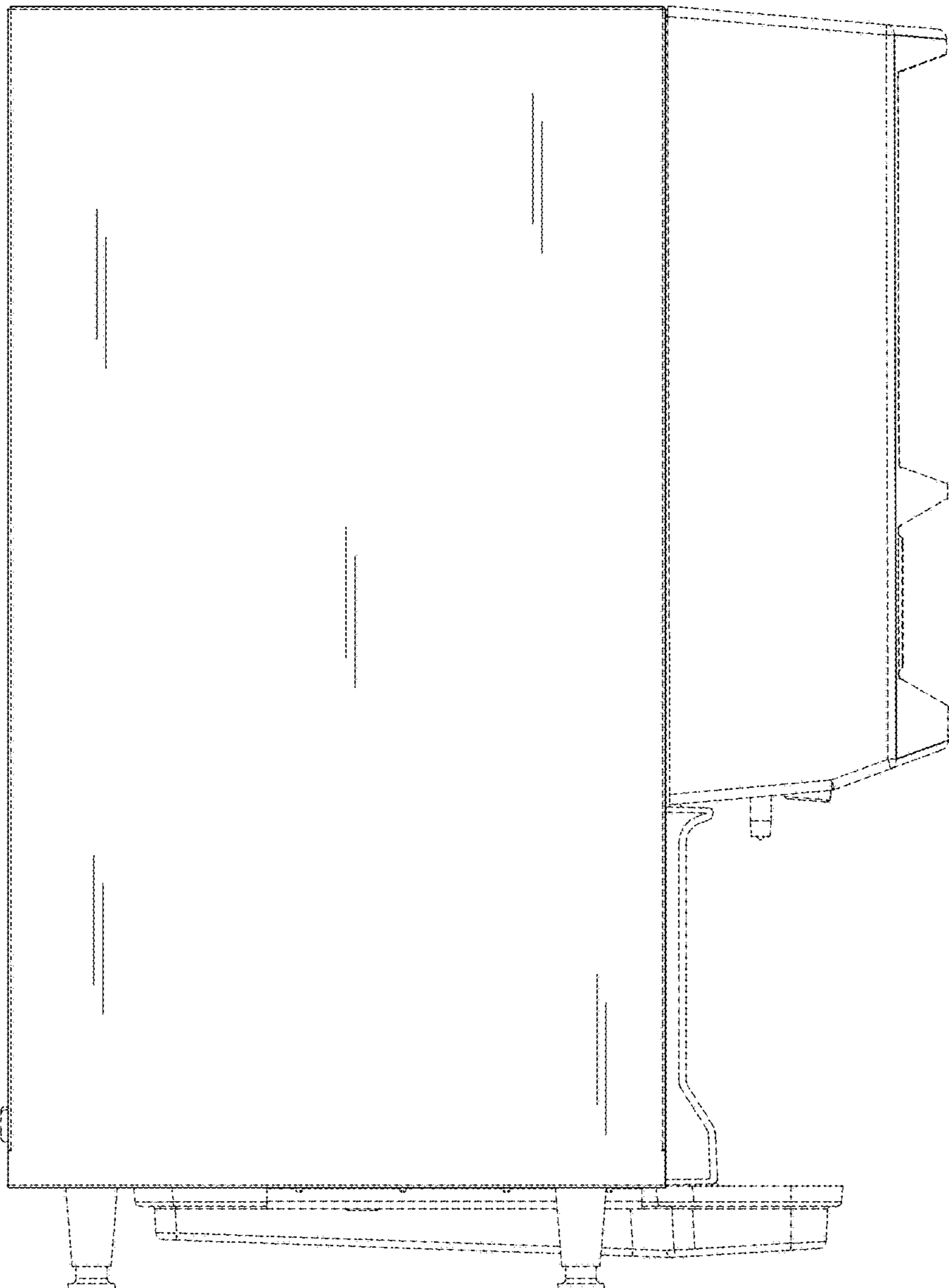


FIG. 4

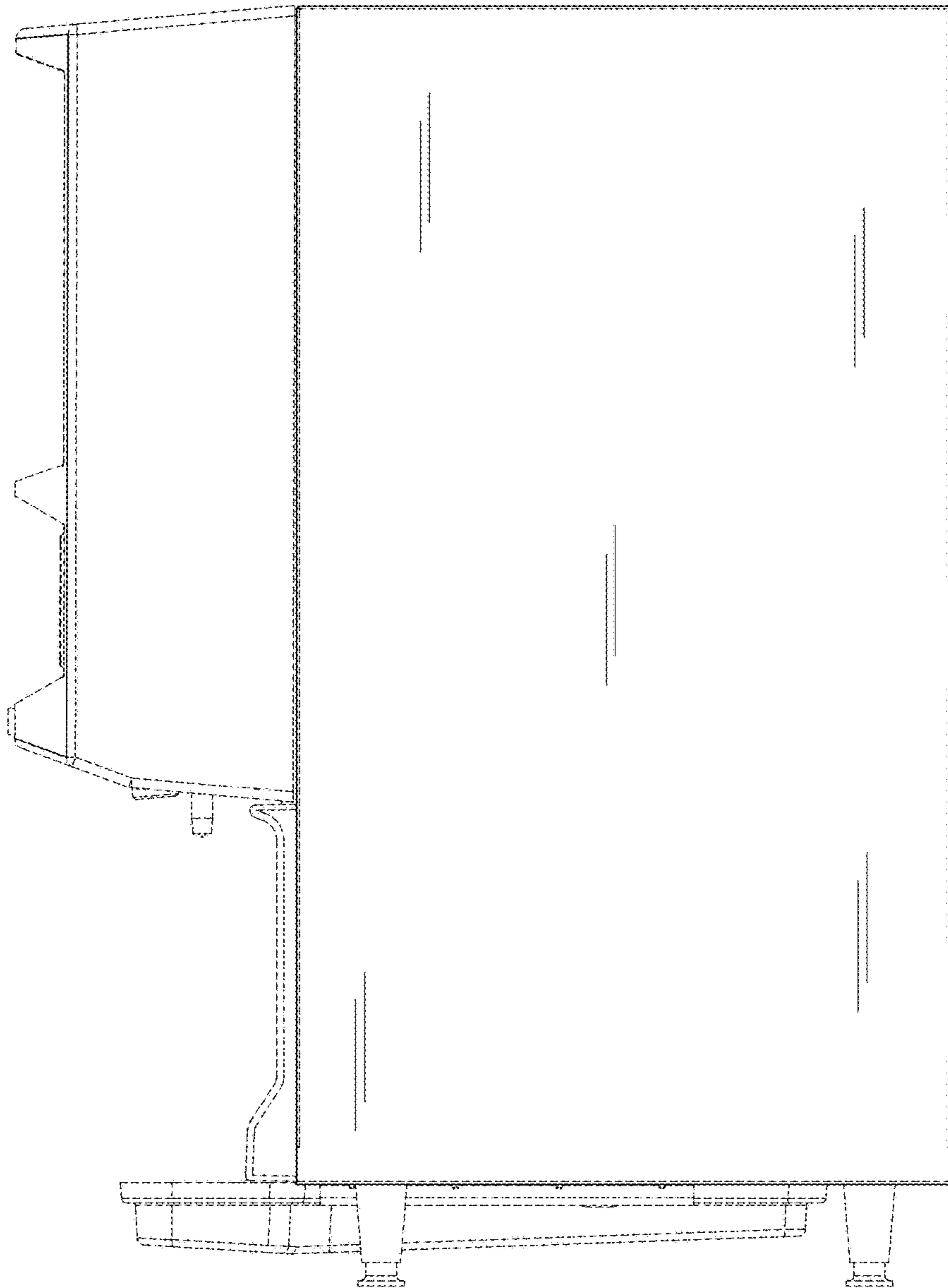


FIG. 5

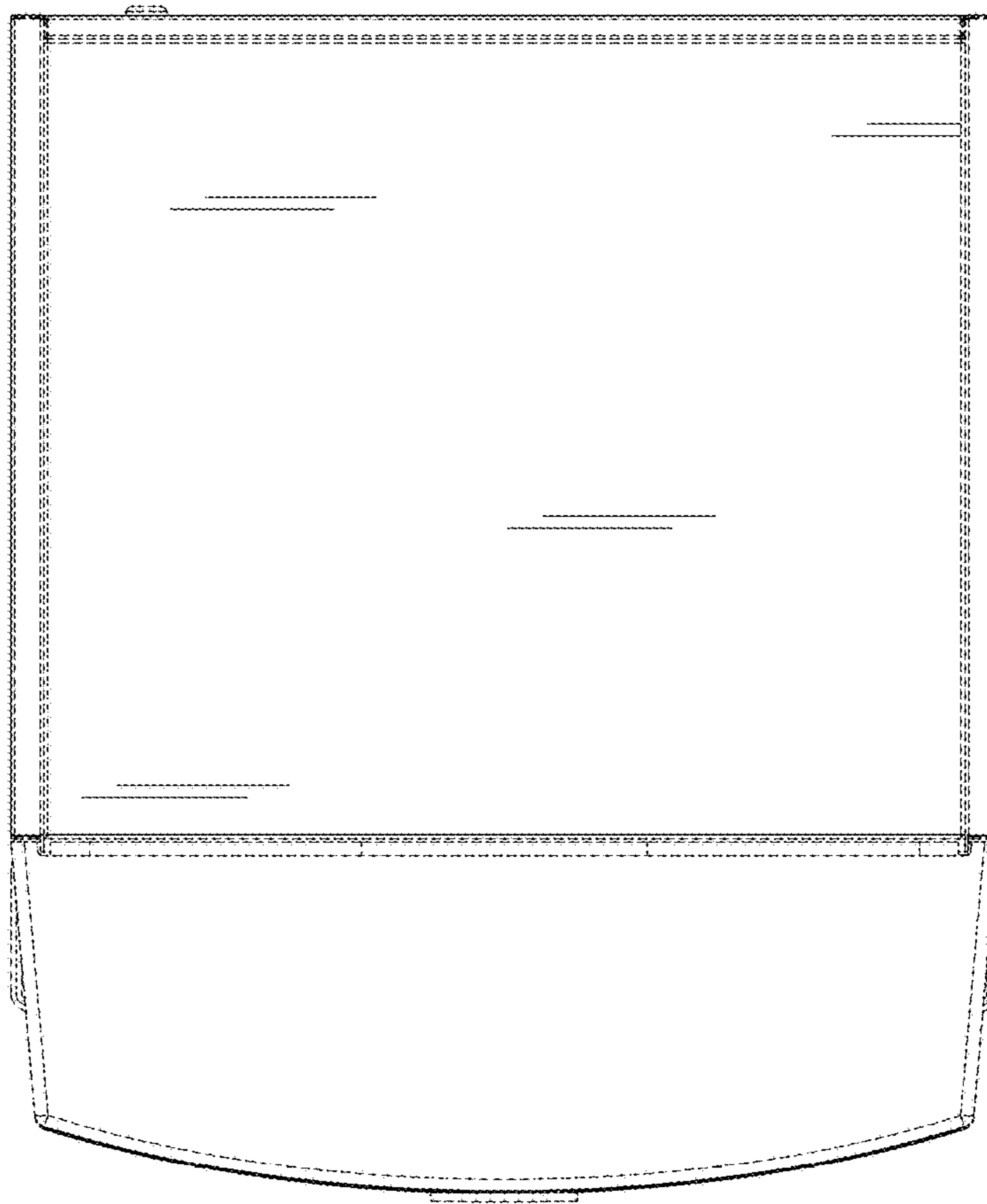


FIG. 6