



US00D838538S

(12) **United States Design Patent**
Carlson

(10) **Patent No.:** **US D838,538 S**

(45) **Date of Patent:** **** Jan. 22, 2019**

(54) **BLENDER**

(71) Applicant: **Hamilton Beach Brands, Inc.**, Glen Allen, VA (US)

(72) Inventor: **Drew Carlson**, Henrico, VA (US)

(73) Assignee: **Hamilton Beach Brands, Inc.**, Glen Allen, VA (US)

(**) Term: **15 Years**

(21) Appl. No.: **29/594,407**

(22) Filed: **Feb. 17, 2017**

(51) **LOC (11) Cl.** **31-00**

(52) **U.S. Cl.**
USPC **D7/378**

(58) **Field of Classification Search**
USPC D7/316, 323, 368, 372.373, 376,
D7/378-384, 386, 390, 393, 403, 412,
D7/602, 624, 626, 629, 665-666, 675,
D7/679, 693-694
CPC A47J 43/00; A47J 43/0722; A47J 43/0727;
A47J 43/075; A47J 43/046; A47J 43/044;
A47J 43/06; A47J 43/07; A21C 1/04;
A21C 1/02; A23N 1/00
See application file for complete search history.

(56) **References Cited**

U.S. PATENT DOCUMENTS

5,957,577	A *	9/1999	Dickson	A47J 43/07 366/197
6,019,238	A	2/2000	Kindig et al.		
D427,016	S *	6/2000	Kindig	D7/412
D432,864	S *	10/2000	Kindig	D7/412
D466,761	S	12/2002	Baerenrodt et al.		
D471,059	S *	3/2003	Chuang	D7/374
6,571,908	B2	6/2003	Bohannon		
D526,845	S *	8/2006	Katz	D7/412
D528,364	S *	9/2006	Kolar	D7/413
7,290,657	B2	11/2007	Christensen		

(Continued)

OTHER PUBLICATIONS

“Hamilton Beach”, posted Jul. 21, 2008 [online], [retrieved Apr. 11, 2018]. Retrieved from internet, https://tineye.com/search/3eca4441ebf62fc11df73409ba5d067b43f0a96c/?extension_ver=chrome-1.2.0.*

(Continued)

Primary Examiner — Barbara Fox

Assistant Examiner — Mehri F Bajoul

(74) *Attorney, Agent, or Firm* — Alexander D. Raring

(57) **CLAIM**

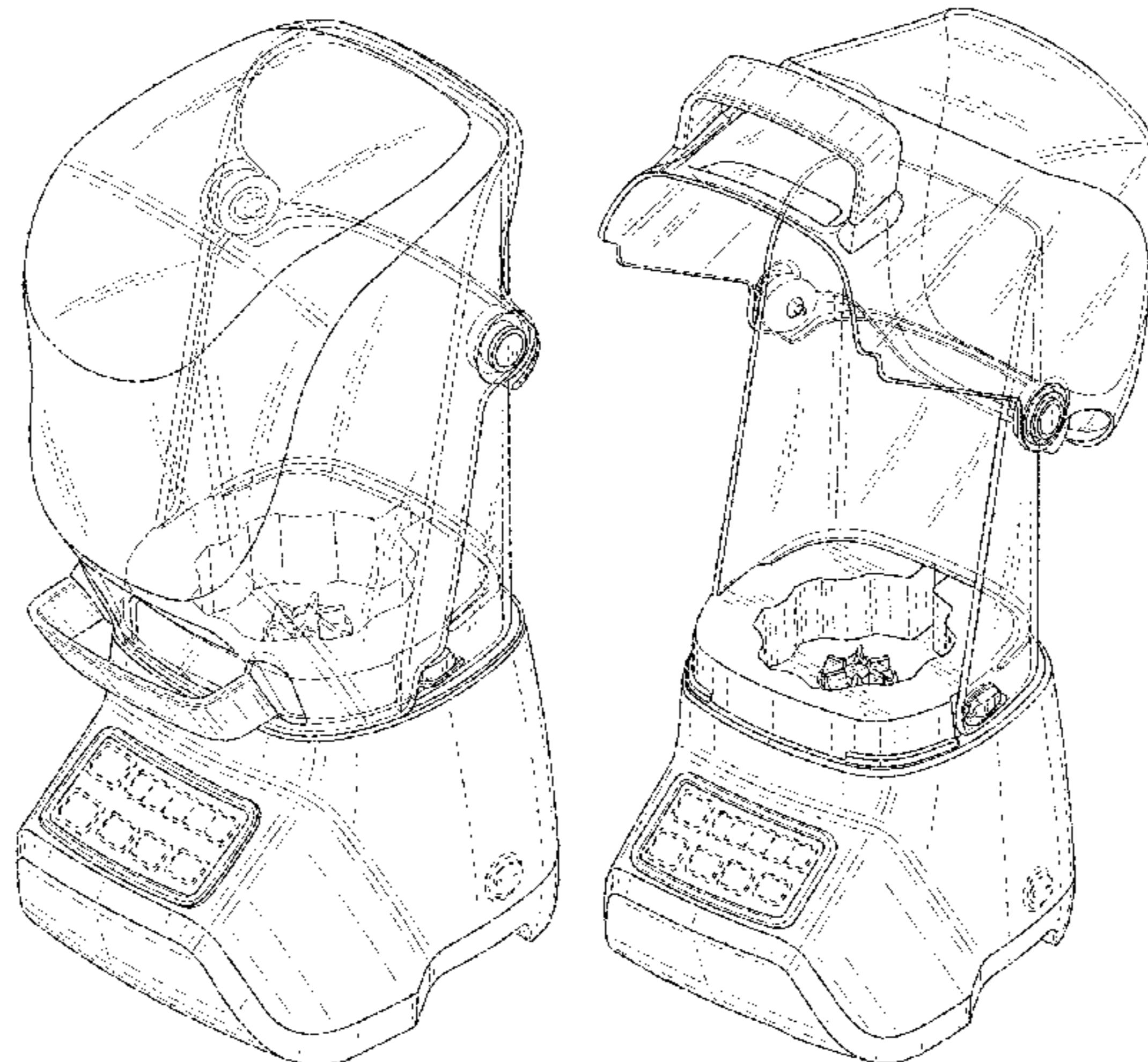
The ornamental design for a blender, as shown and described.

DESCRIPTION

FIG. 1 is a top front right perspective view of a blender showing the new design;
FIG. 2 is perspective view as seen from the rear, top, and left side thereof;
FIG. 3 is a front view thereof;
FIG. 4 is a rear view thereof;
FIG. 5 is a right side view thereof;
FIG. 6 is a left side view thereof;
FIG. 7 is a top view thereof;
FIG. 8 is a bottom view thereof;
FIG. 9 is a top front right perspective view of the blender showing the top in an open position;
FIG. 10 is perspective view as seen from the rear, top, and left side thereof;
FIG. 11 is a front view thereof;
FIG. 12 is a rear view thereof;
FIG. 13 is a right side view thereof;
FIG. 14 is a left side view thereof;
FIG. 15 is a top view thereof; and,
FIG. 16 is a bottom view thereof.

The broken lines shown in the drawings depict portions of the blender that form no part of the claimed design.

1 Claim, 16 Drawing Sheets



(56)

References Cited

U.S. PATENT DOCUMENTS

D557,976 S *	12/2007	Olson	D7/378
7,520,663 B1 *	4/2009	Kolar	A47J 43/07 312/326
D592,903 S *	5/2009	Olson	D7/376
D595,087 S *	6/2009	Metaxatos	D7/412
D637,862 S *	5/2011	Fouquet	D7/376
8,287,180 B2 *	10/2012	Kolar	A47J 43/0716 366/347
RE45,308 E	12/2014	Kolar et al.		
RE45,655 E	8/2015	Kolar et al.		
D787,882 S *	5/2017	McConnell	D7/376
2003/0034200 A1 *	2/2003	Bohannon	A47J 43/0716 181/202
2010/0038462 A1 *	2/2010	Kolar	A47J 43/0716 241/285.3
2017/0224169 A1 *	8/2017	Kolar	A47J 43/0777

OTHER PUBLICATIONS

“Vitamix”, posted Sep. 2, 2010 [online], [retrieved Apr. 11, 2018].
Retrieved from internet, https://tineye.com/search/9dc5169e147e2852451682984f509ce8d56204f2/?extension_ver=chrome-1.2.0.*

* cited by examiner

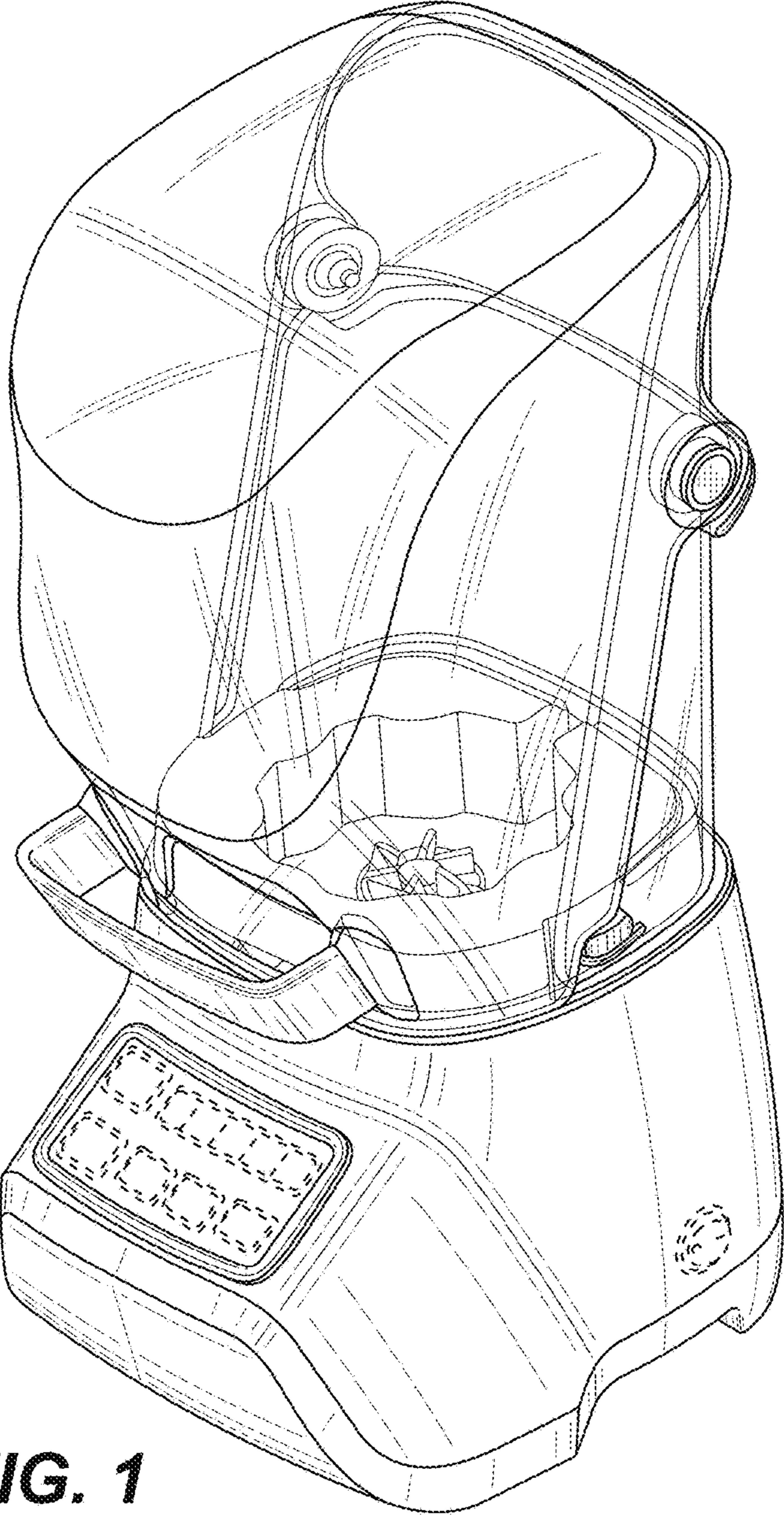


FIG. 1

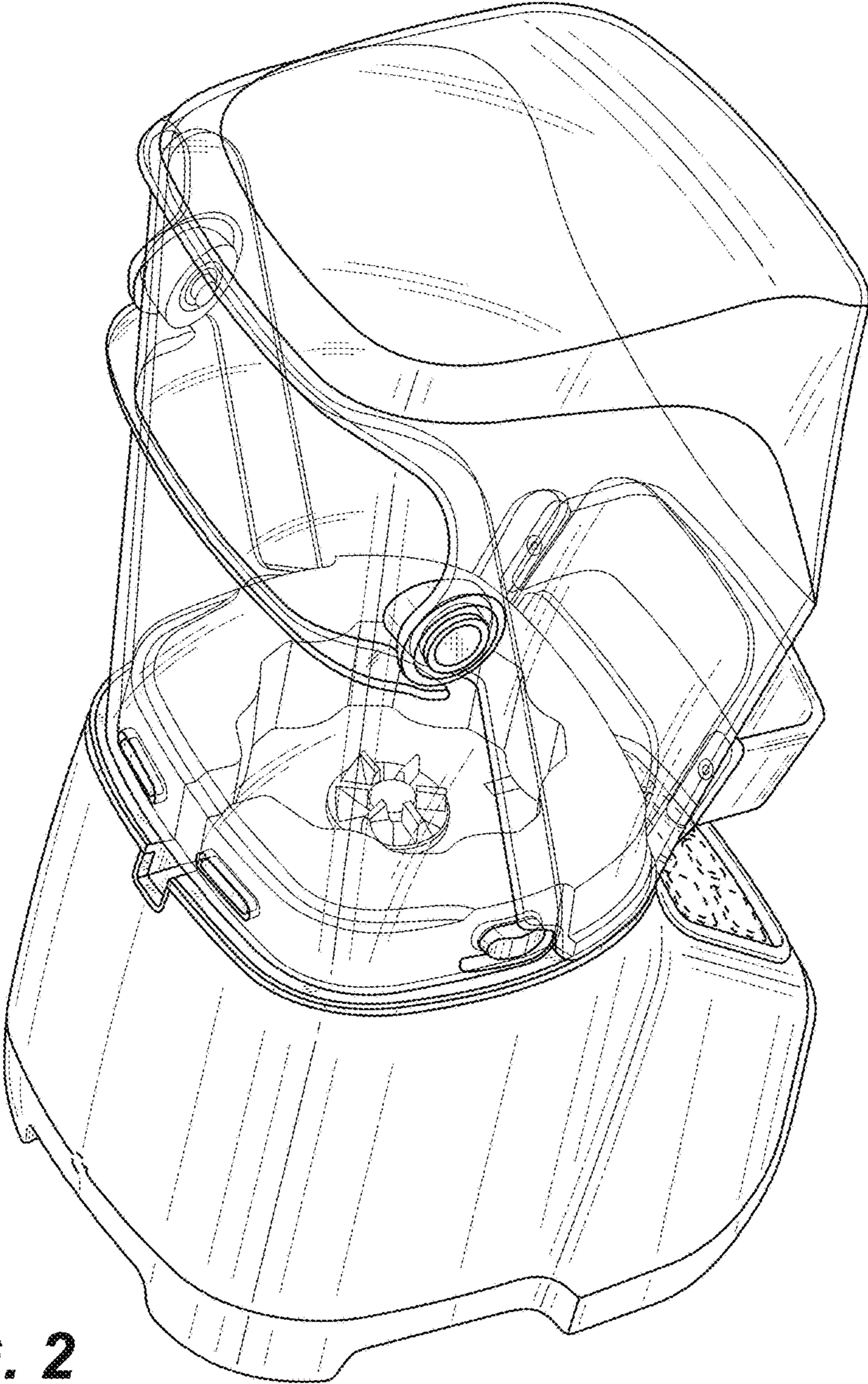


FIG. 2

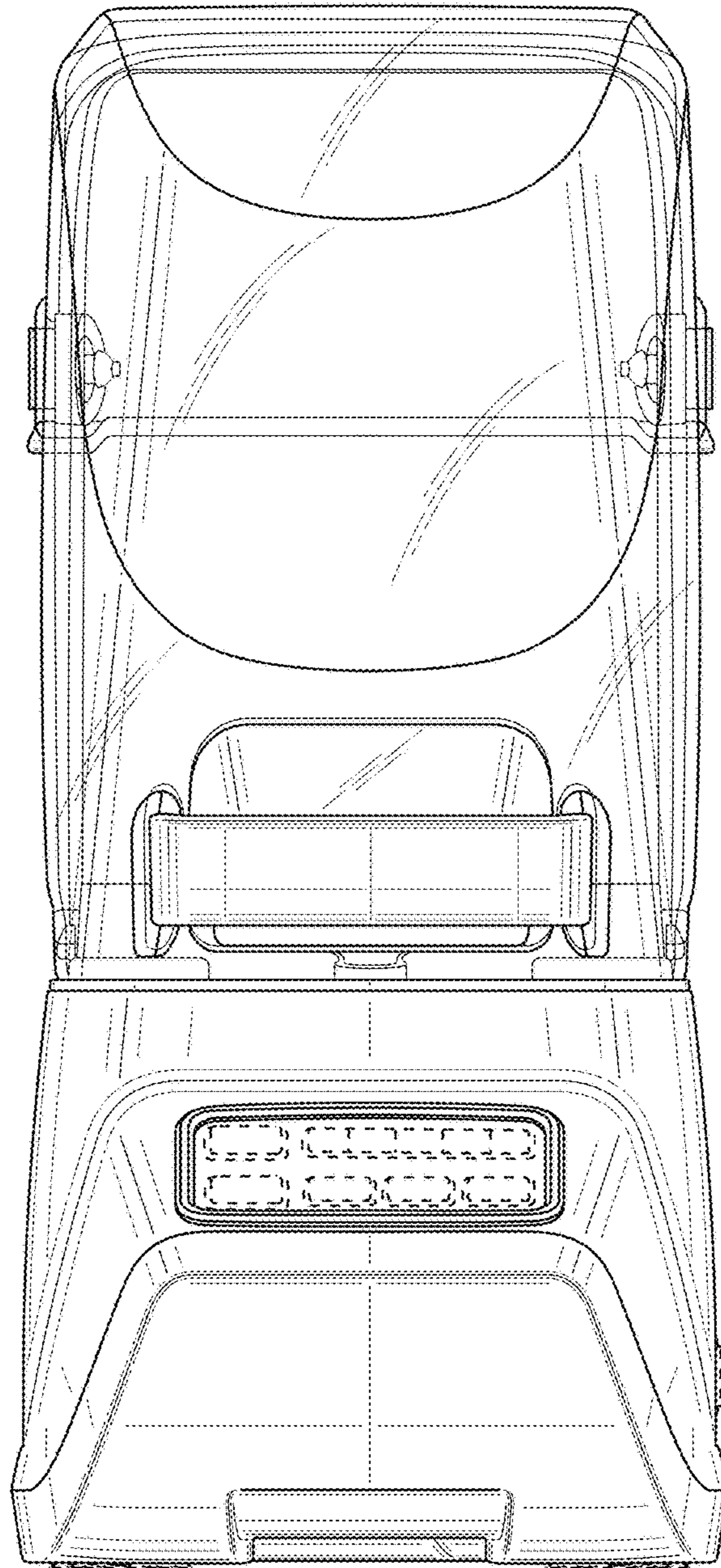


FIG. 3

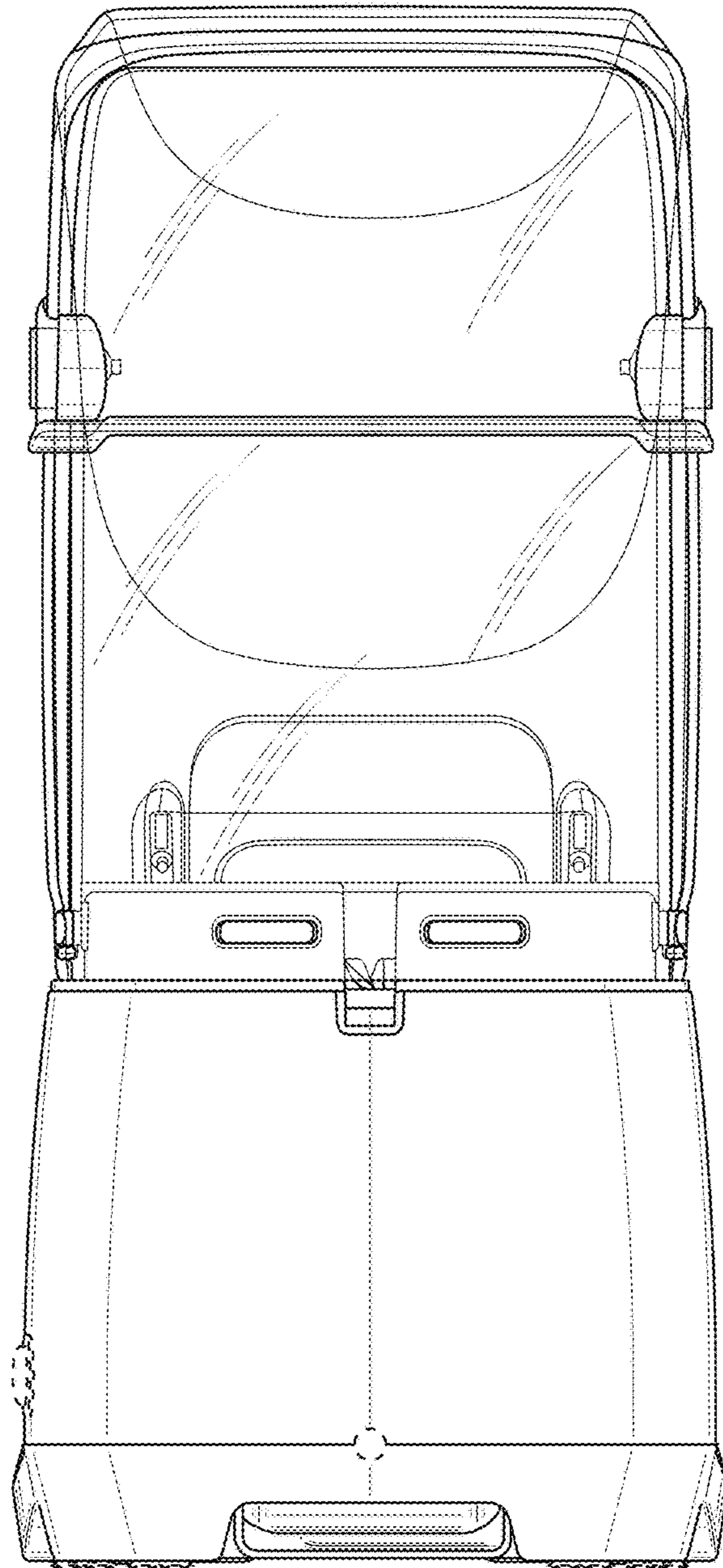


FIG. 4

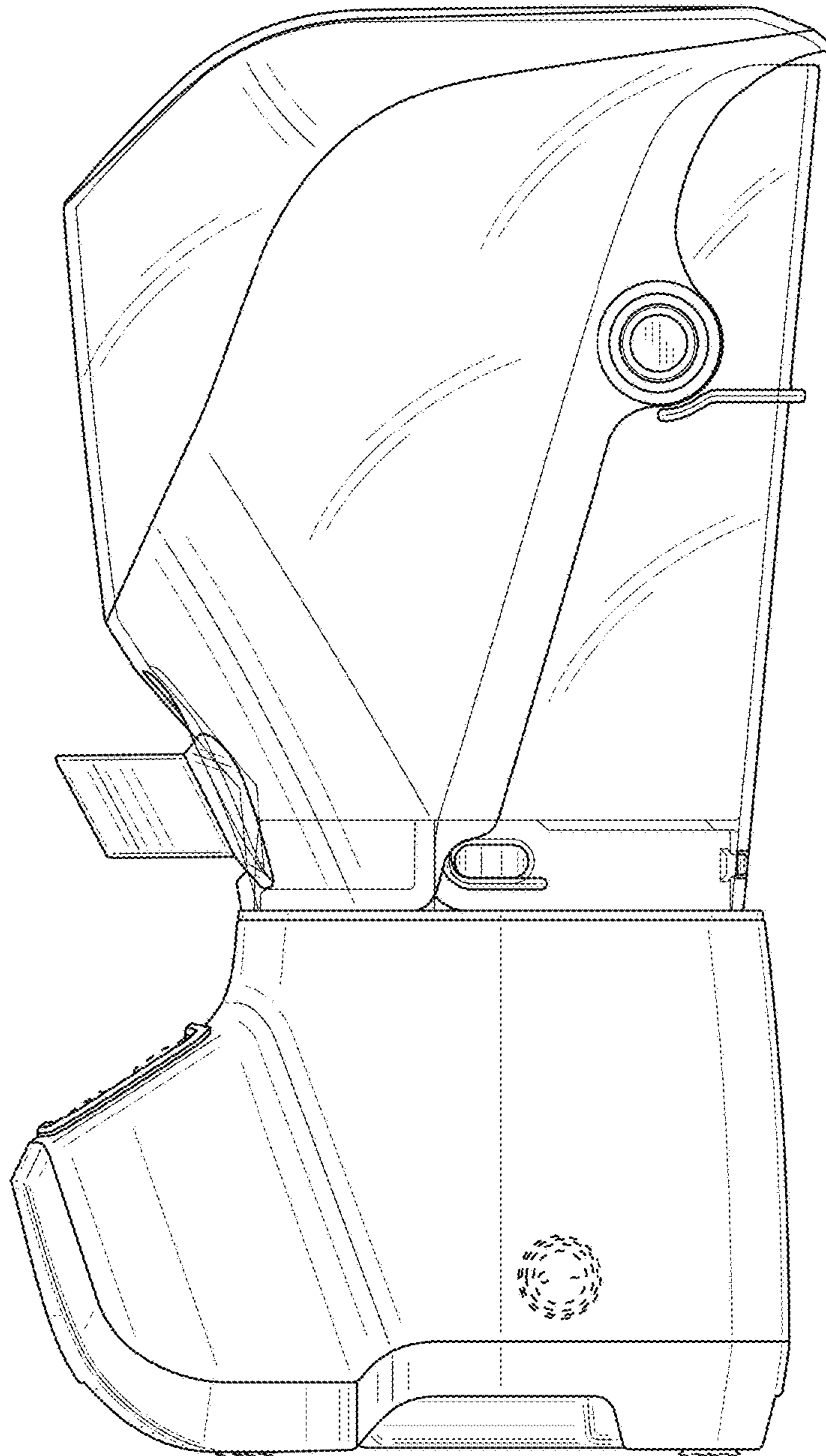


FIG. 5

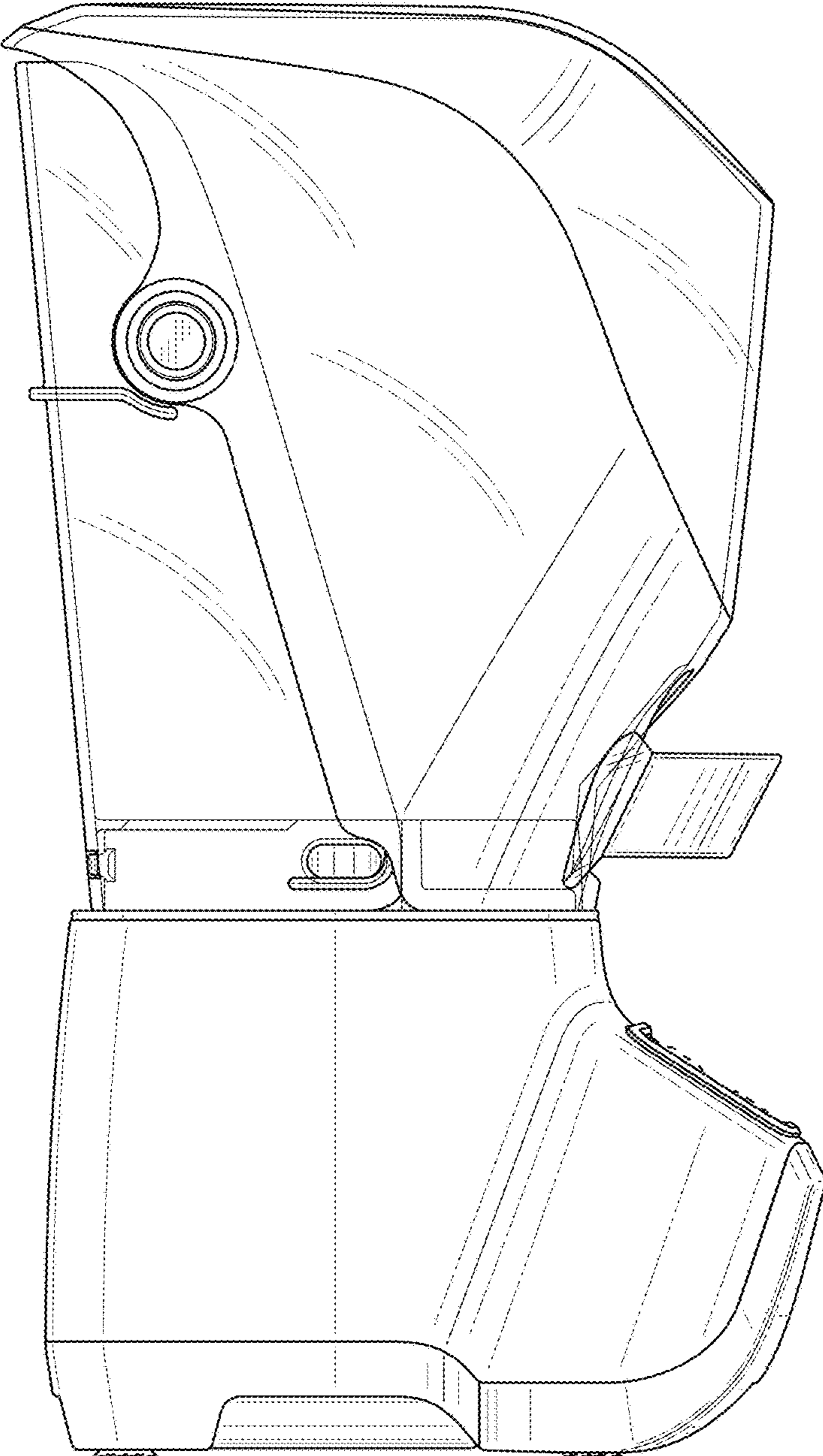


FIG. 6

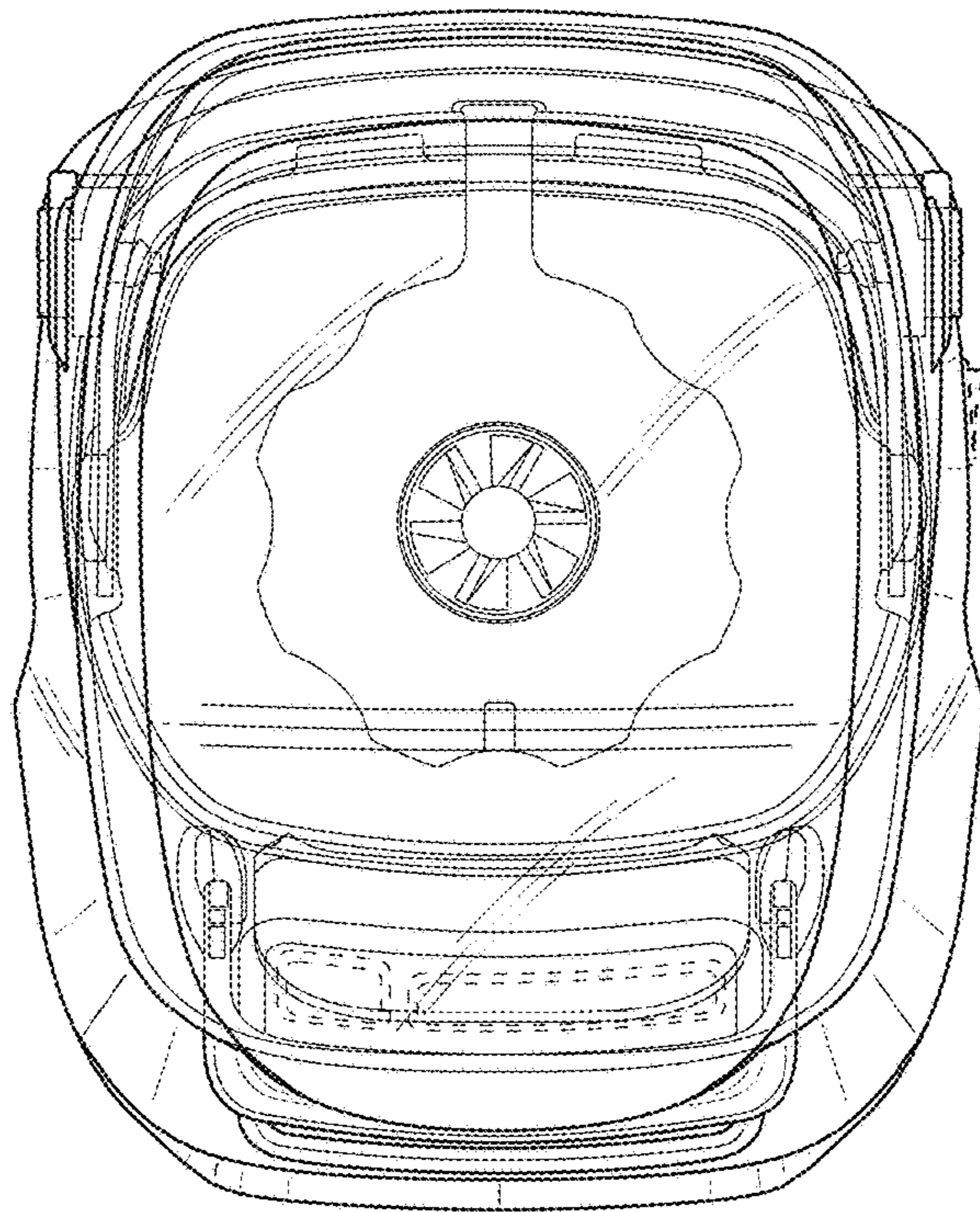


FIG. 7

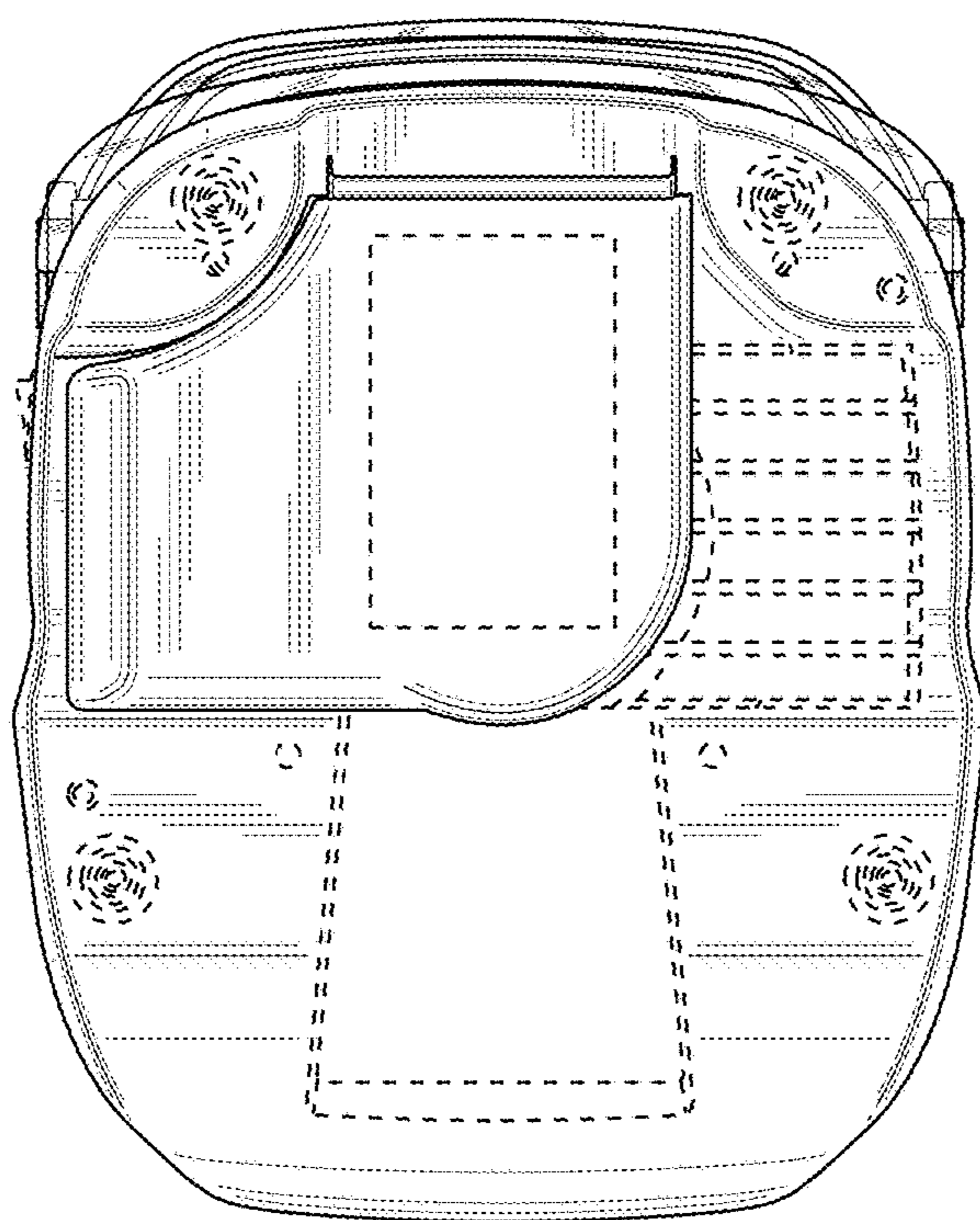


FIG. 8

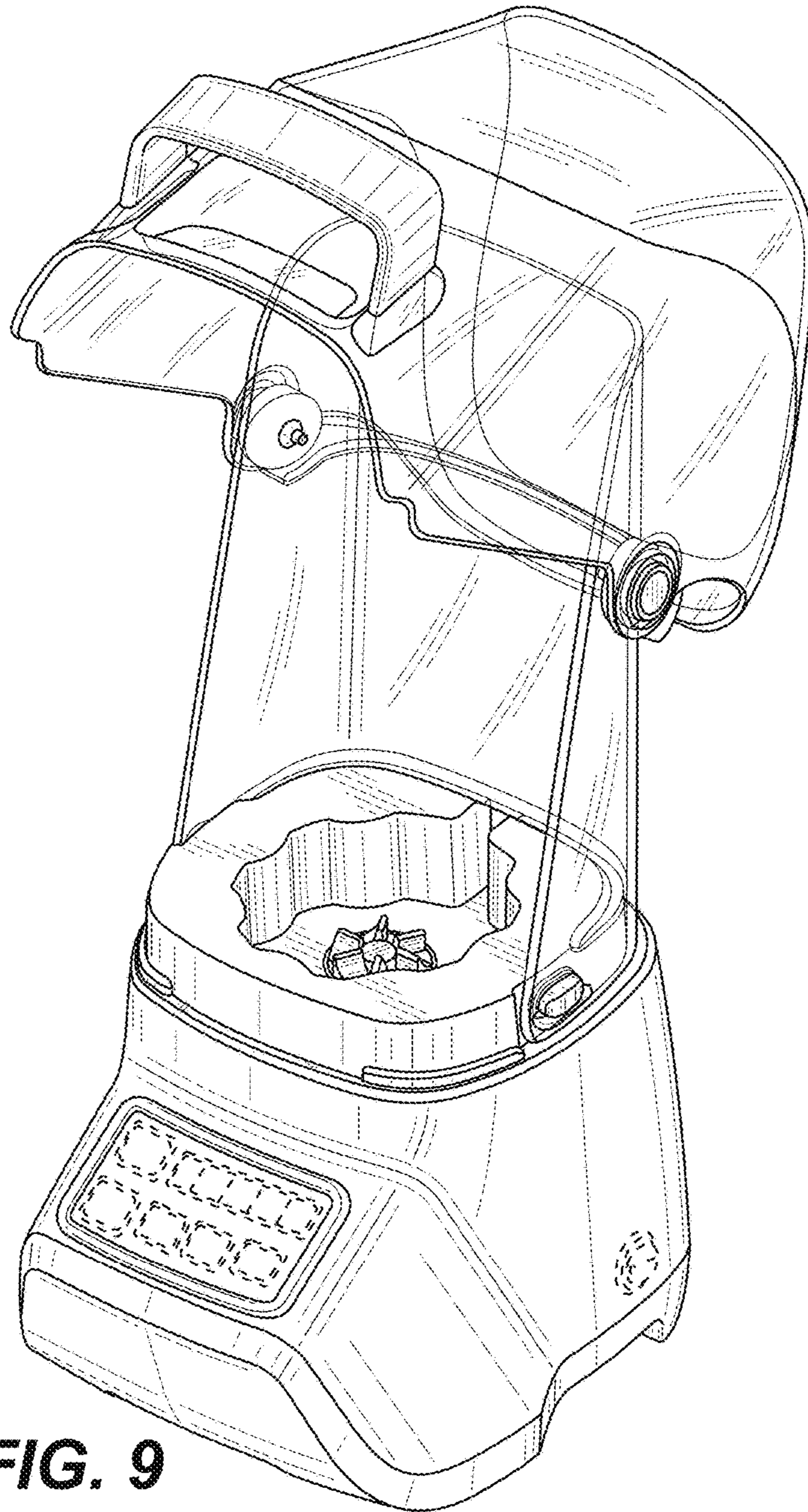


FIG. 9

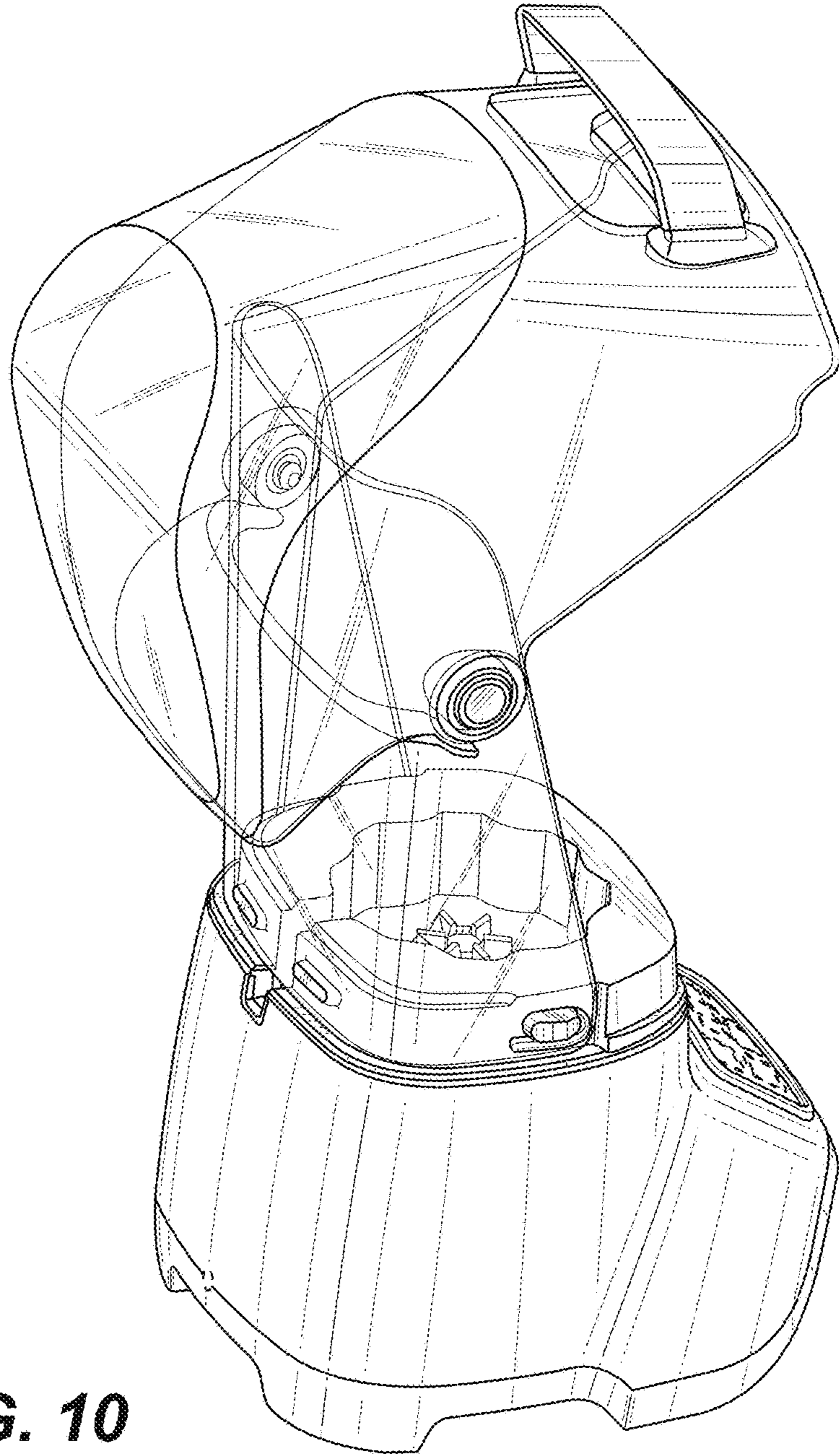


FIG. 10

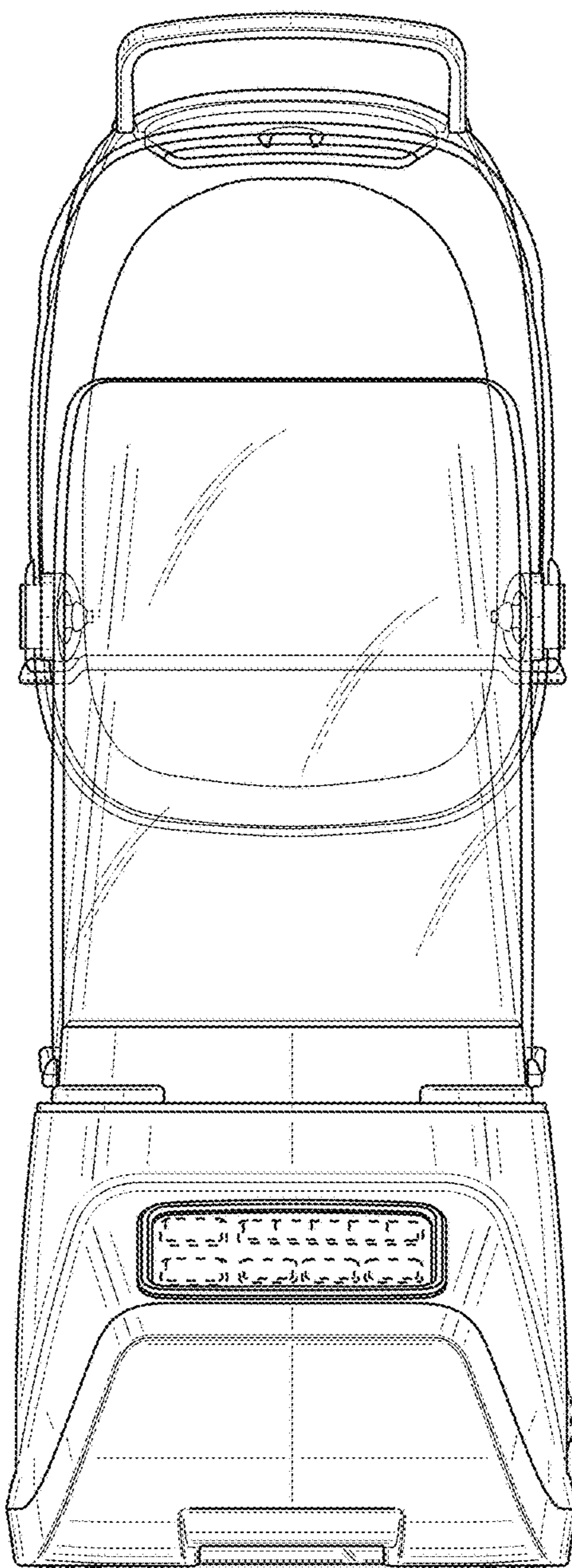


FIG. 11

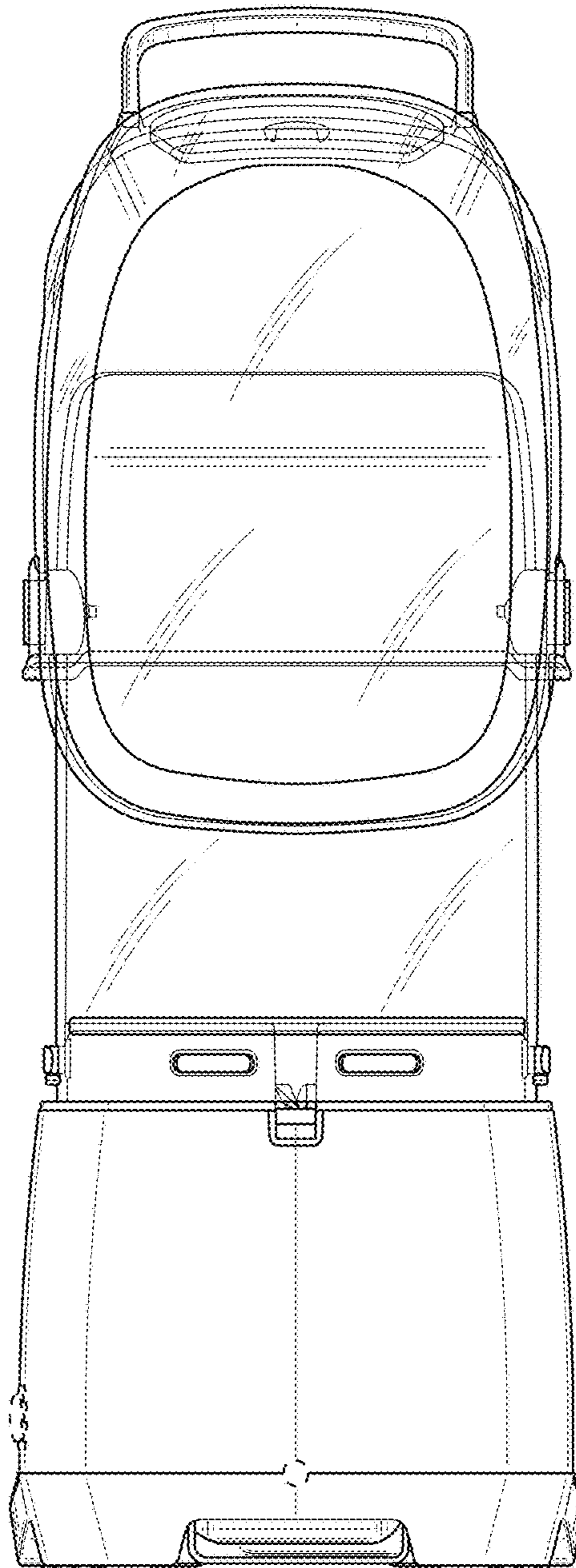


FIG. 12

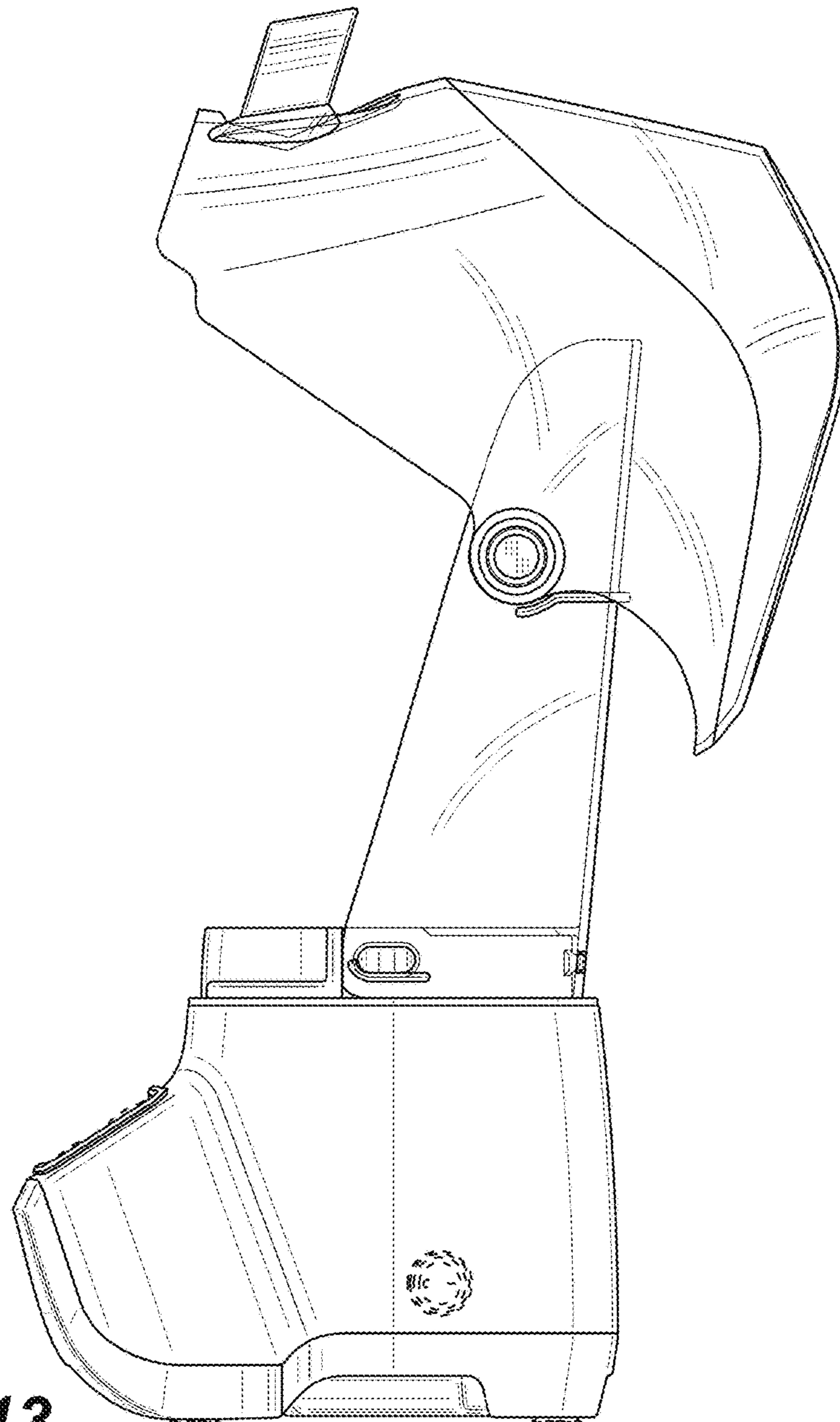


FIG. 13

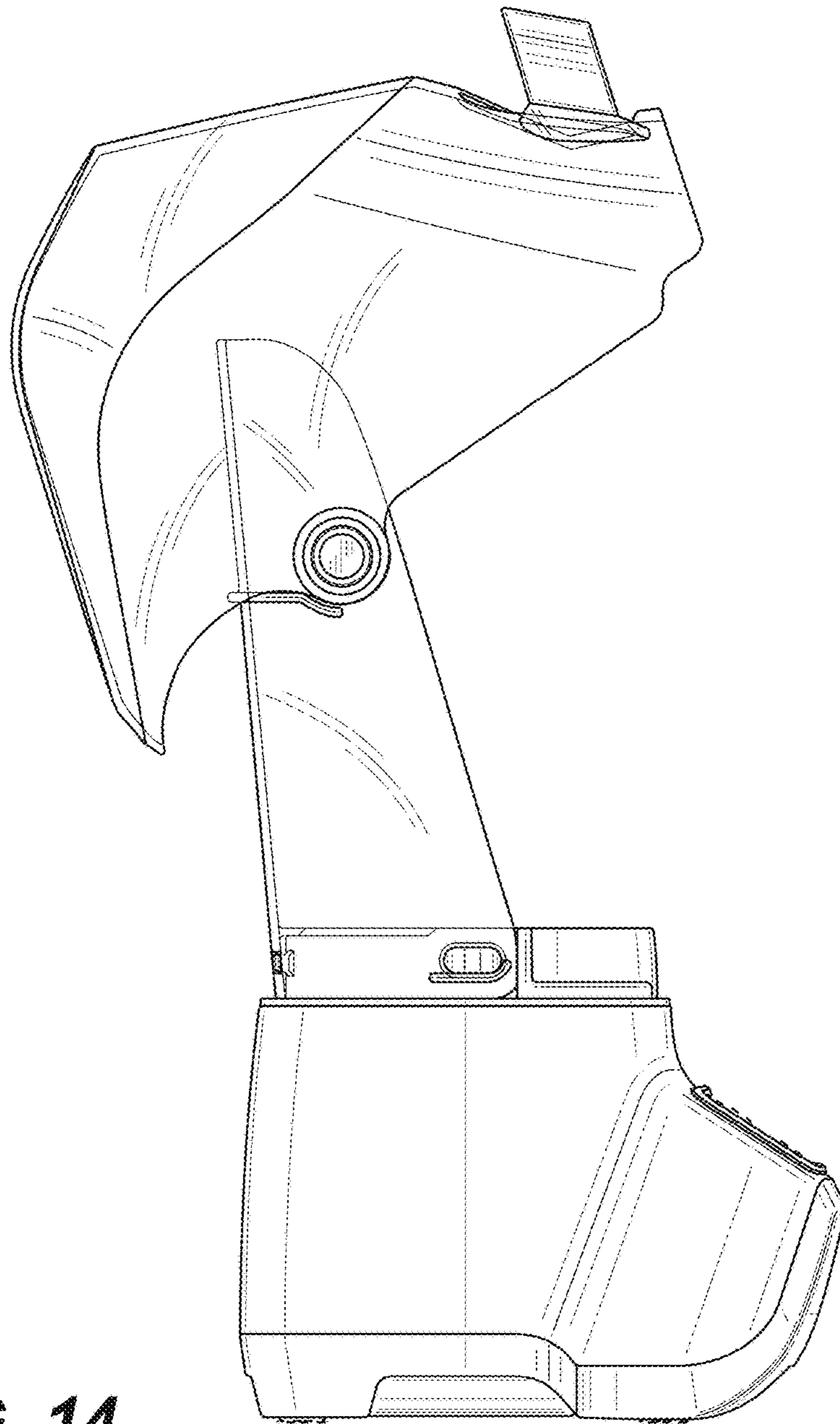


FIG. 14

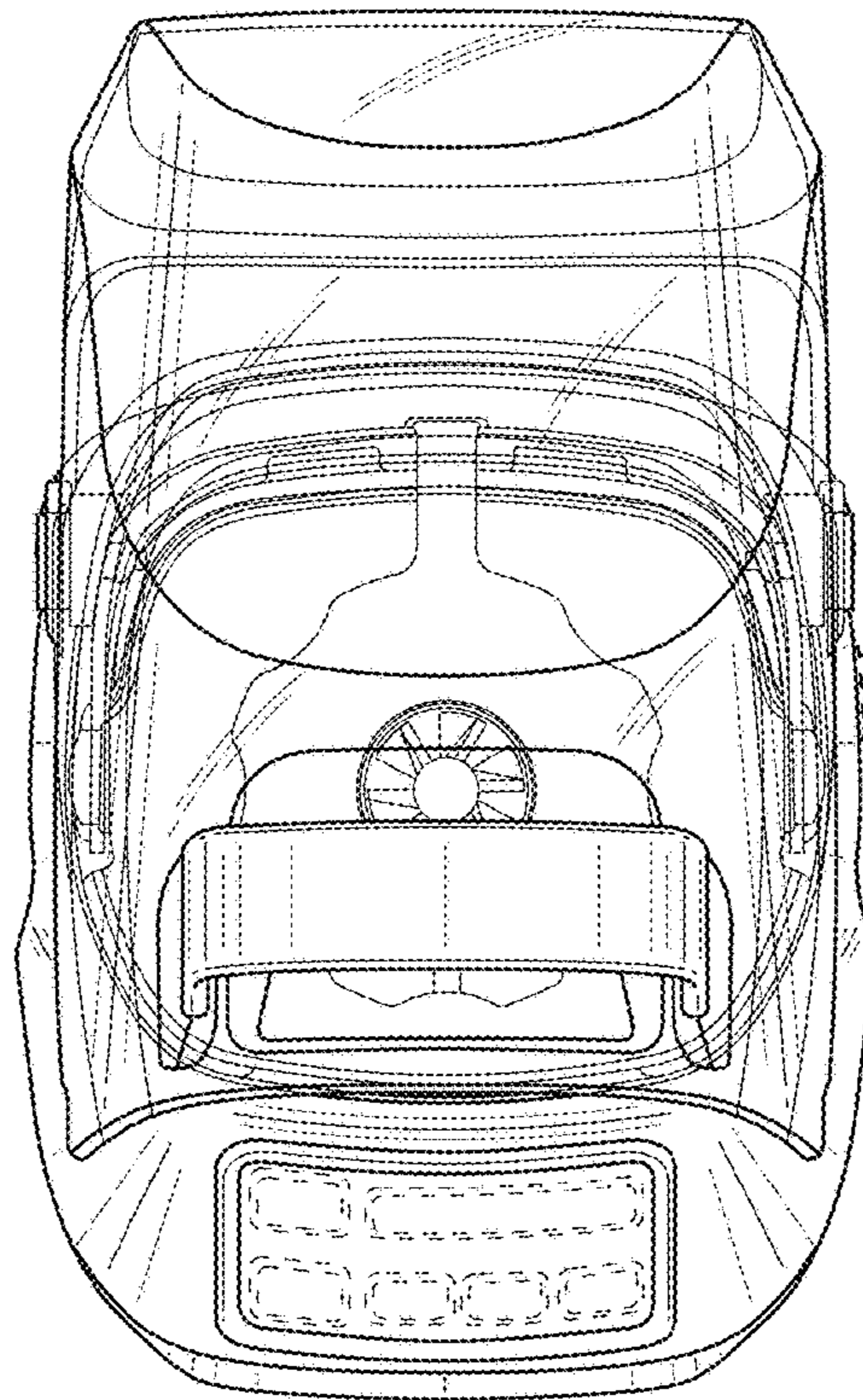


FIG. 15

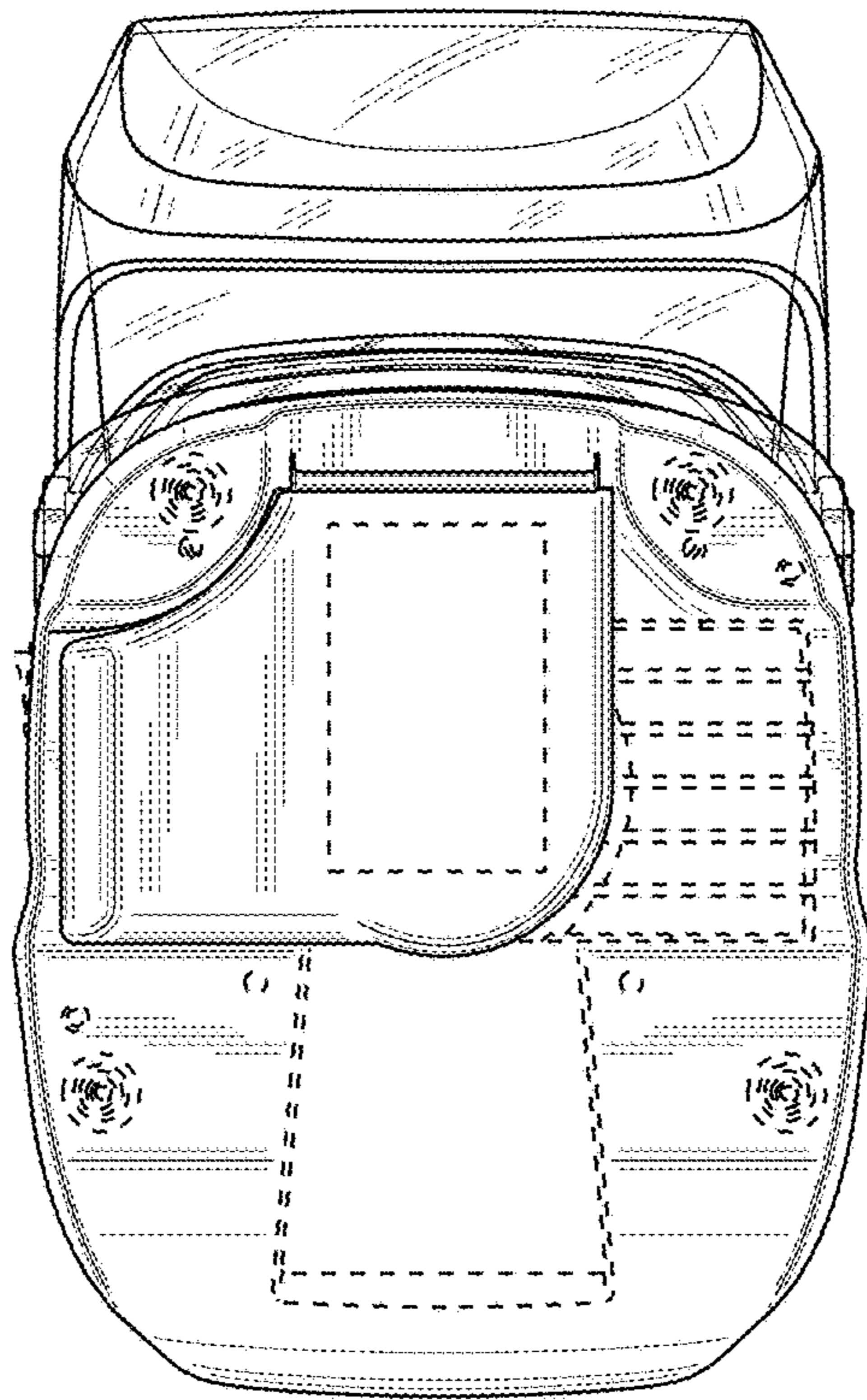


FIG. 16