



US00D838536S

(12) **United States Design Patent**
Wilkinson

(10) **Patent No.:** **US D838,536 S**
(45) **Date of Patent:** **** Jan. 22, 2019**

(54) **BAKEWARE SET**

(71) Applicant: **Wilkinson China Limited**, Central (HK)

(72) Inventor: **Ian Wilkinson**, Central (HK)

(73) Assignee: **Wilkinson China Limited**, Central (HK)

(**) Term: **15 Years**

(21) Appl. No.: **29/609,139**

(22) Filed: **Jun. 28, 2017**

(30) **Foreign Application Priority Data**

Jun. 7, 2017 (EM) 004036143-0001
Jun. 7, 2017 (EM) 004036143-0002
Jun. 7, 2017 (EM) 004036143-0003

(51) **LOC (11) Cl.** **07-02**

(52) **U.S. Cl.**
USPC **D7/354**

(58) **Field of Classification Search**
USPC D3/304; D7/323, 354-361, 391, 543, D7/545, 549, 550.1, 553.1-553.8, D7/554.1-554.4, 555, 584, 586, 602, 629; D9/425, 430-433, 455-456, 730, 737, D9/756-762
CPC A21B 3/00; A21B 3/13; A21B 3/15; A21B 3/134; A21B 5/00; A21B 5/02; A47J 36/022; A47J 36/025; A47J 36/027; A47J 36/24; A47J 37/00; A47J 37/04; A47J 45/062; A47J 27/17; B29C 45/14; B29C 45/14336; B29C 51/082; B65D 1/22; B65D 1/24; B65D 1/34; B65D 1/36; B65D 1/40; B65D 1/46; B65D 77/2056; B65D 81/343; B65D 81/261; B65D 85/36; B65D 21/00; B65D 21/02; B65D 6/04; B65D 5/209; B65D 41/32; B65D 21/0233; A47G 19/00; A47G 23/06; B31F 1/0087; A61H 35/00

See application file for complete search history.

(56) **References Cited**

U.S. PATENT DOCUMENTS

3,040,949 A * 6/1962 Foote B65D 81/261
229/407
5,035,327 A * 7/1991 Denzin B65D 21/0233
206/518
5,676,276 A * 10/1997 Zielinski A47G 23/06
206/557
6,093,460 A * 7/2000 Iwaya B31F 1/0087
156/224
6,705,210 B2 * 3/2004 Leonard A47J 36/24
126/384.1
7,347,327 B2 * 3/2008 Lobman A47J 27/17
206/518
D569,676 S * 5/2008 Millsap D7/354

(Continued)

Primary Examiner — Freda S Nunn

(74) *Attorney, Agent, or Firm* — Downs Rachlin Martin PLLC

(57) **CLAIM**

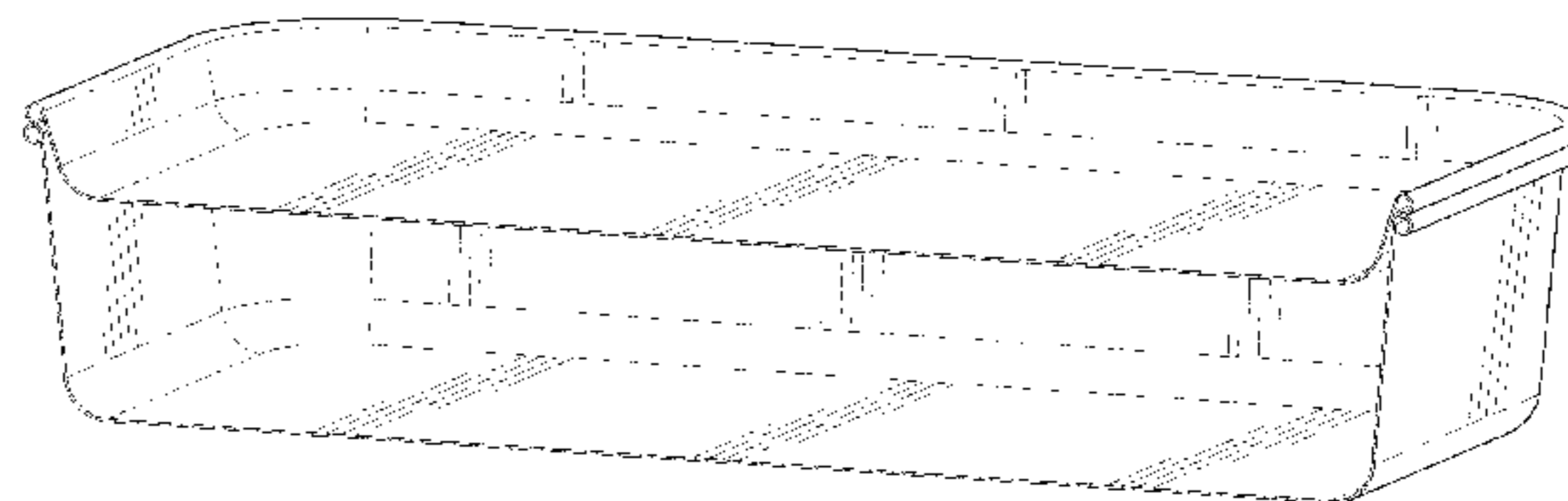
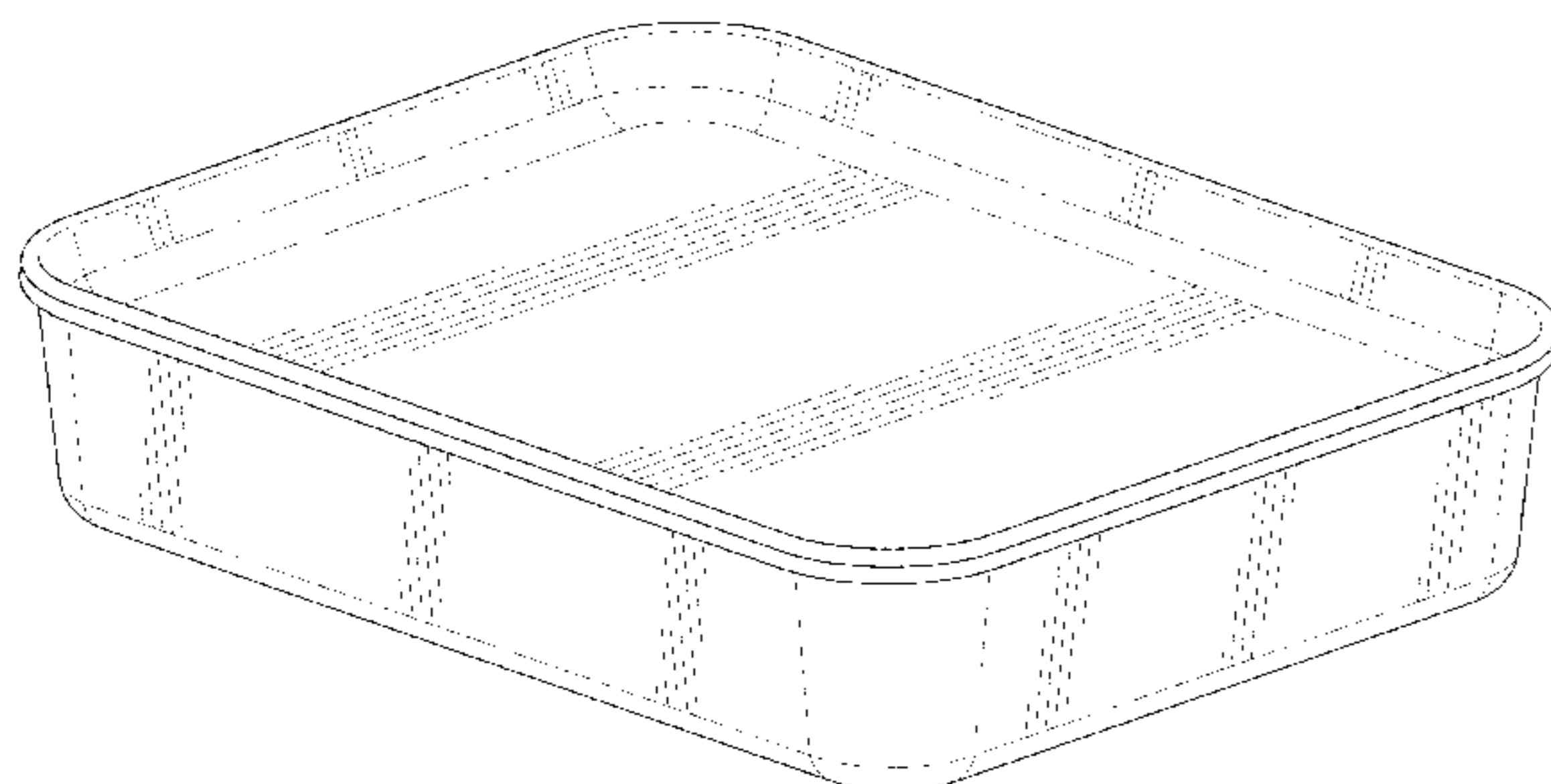
The ornamental design for a bakeware set, as shown and described.

DESCRIPTION

FIG. 1 is a perspective view of a bakeware set showing my new design;
FIG. 2 is a front view thereof;
FIG. 3 is a rear view thereof;
FIG. 4 is a side view thereof;
FIG. 5 is a second side view thereof;
FIG. 6 is a top view thereof;
FIG. 7 is a bottom view thereof; and,
FIG. 8 is a cross-section view taken along line 8-8 of FIG. 6.

The shade lines in the Figures show contour and not surface ornamentation.

1 Claim, 6 Drawing Sheets



(56)

References Cited

U.S. PATENT DOCUMENTS

8,124,201 B2 * 2/2012 O'Hagan B29C 51/082
220/62
D677,514 S * 3/2013 Sarnoff D7/354
D717,120 S * 11/2014 Carlson D7/602
D759,421 S * 6/2016 Wiggins D7/602
9,693,930 B2 * 7/2017 Gathers A61H 35/00
2007/0267374 A1 * 11/2007 Middleton B29C 45/14336
211/126.1
2008/0169294 A1 * 7/2008 Liebzeit A47J 27/16
220/573.1
2013/0277264 A1 * 10/2013 Sarnoff A47J 45/062
206/514

* cited by examiner

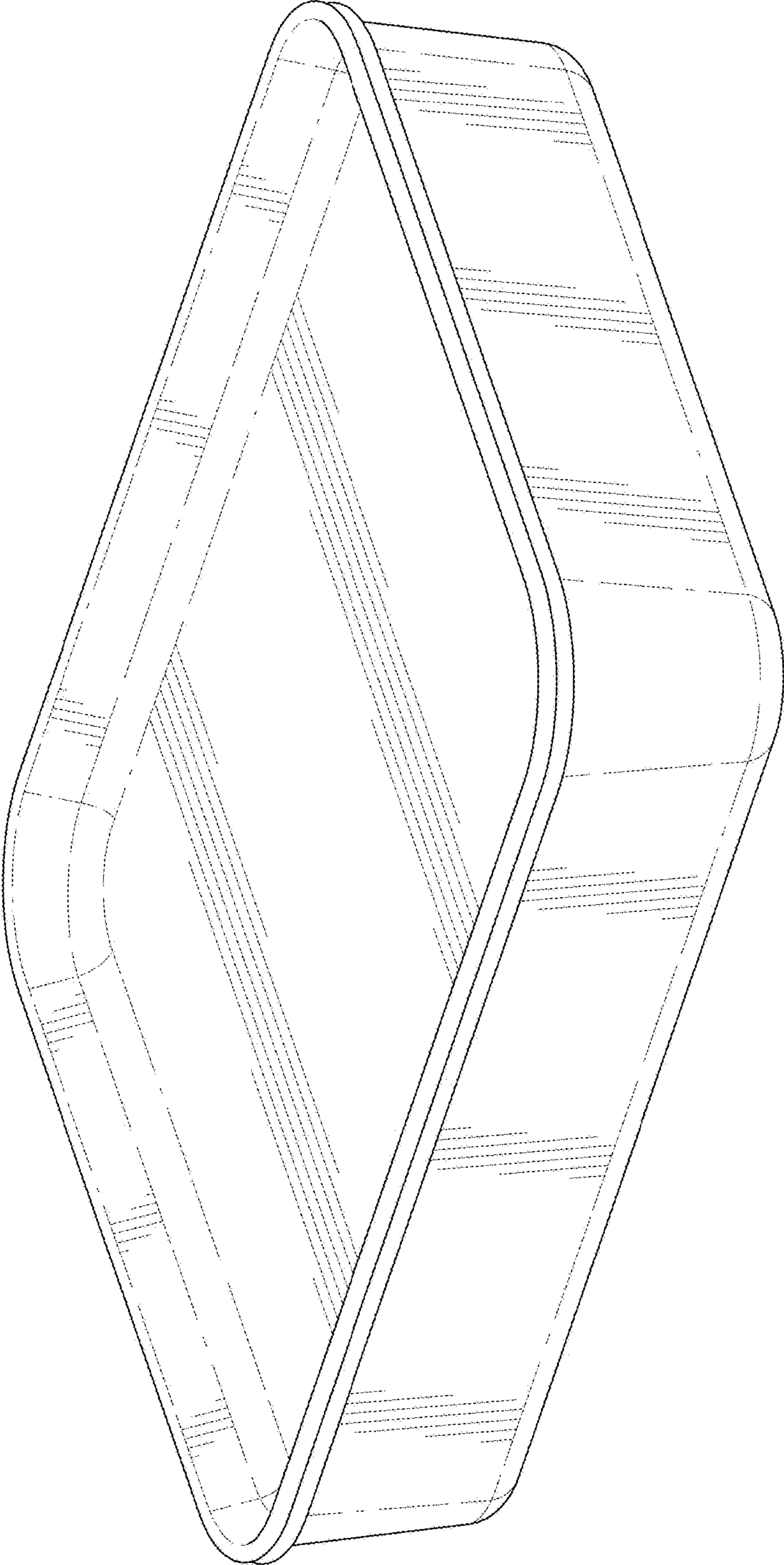


FIG. 1

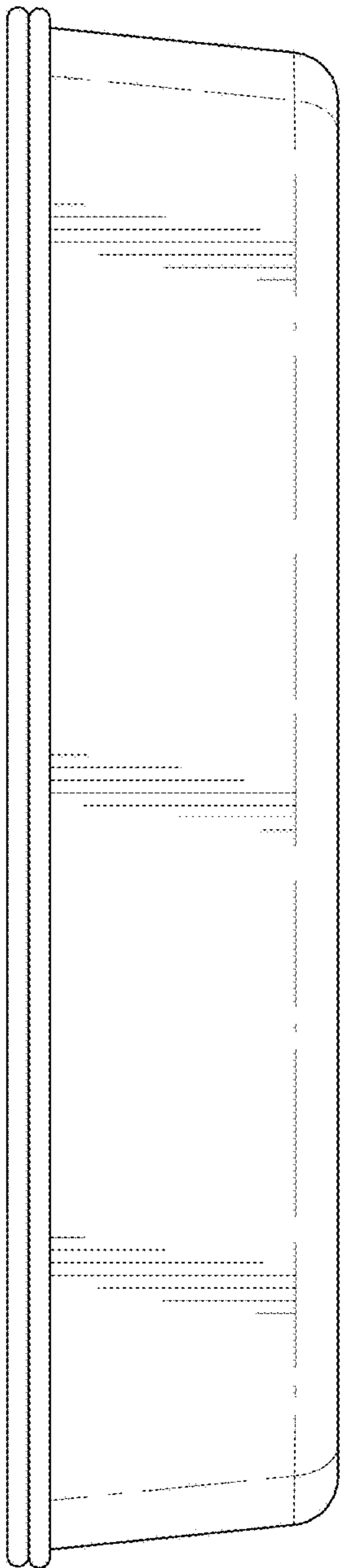


FIG. 2

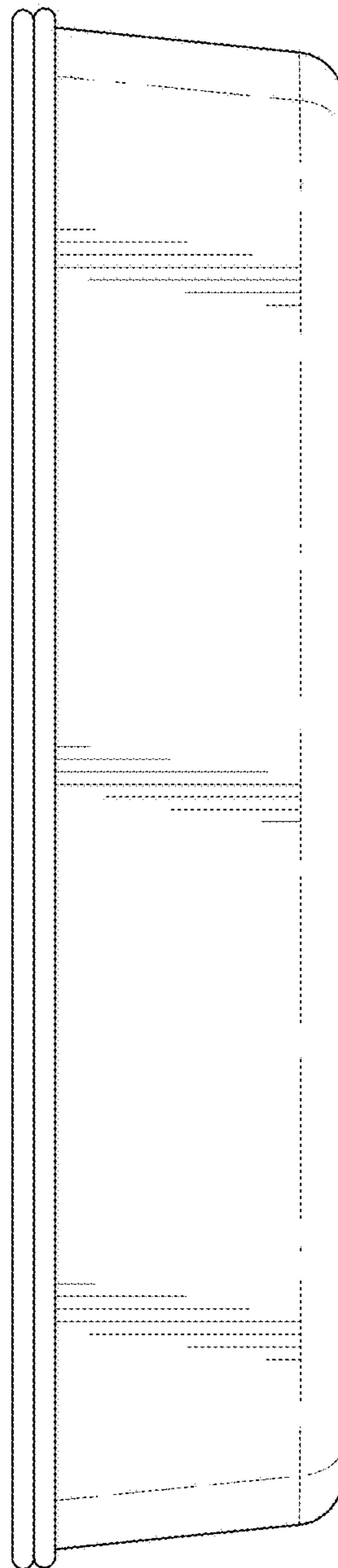


FIG. 3

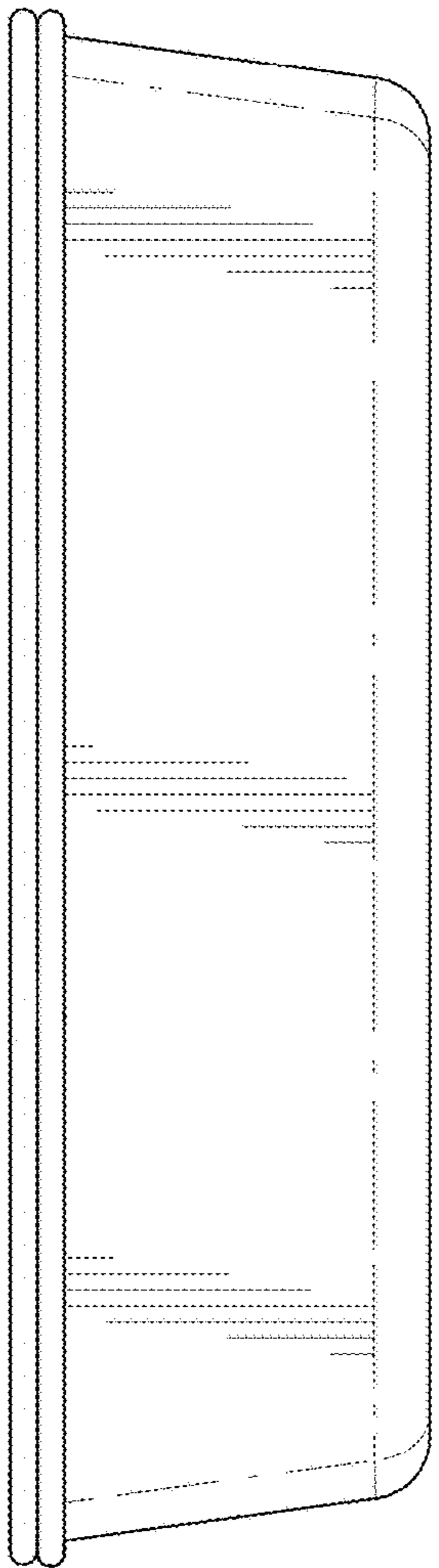


FIG. 4

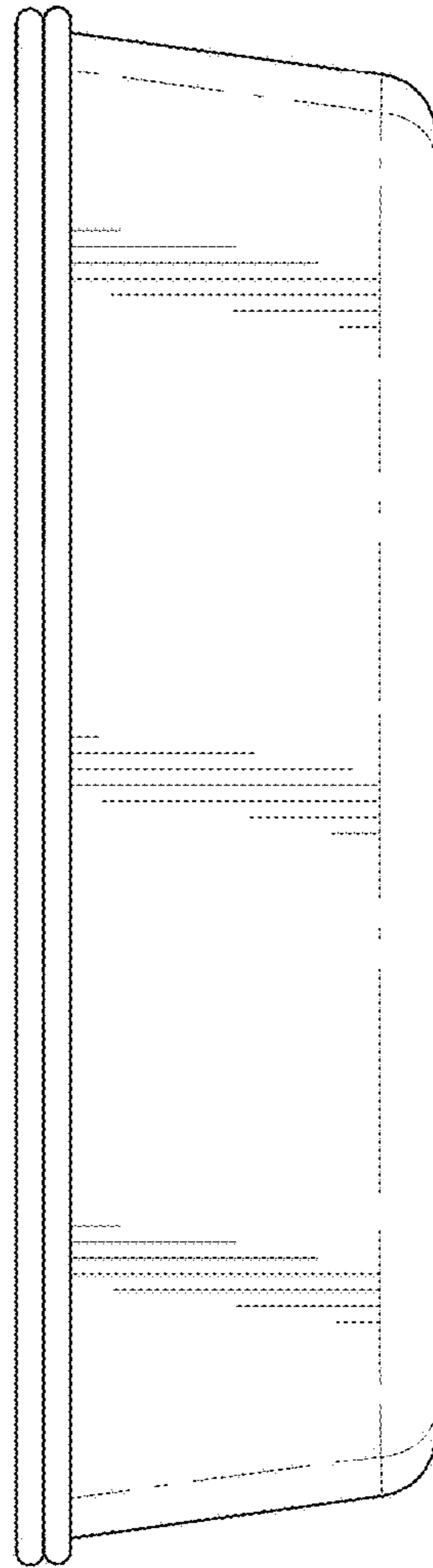


FIG. 5

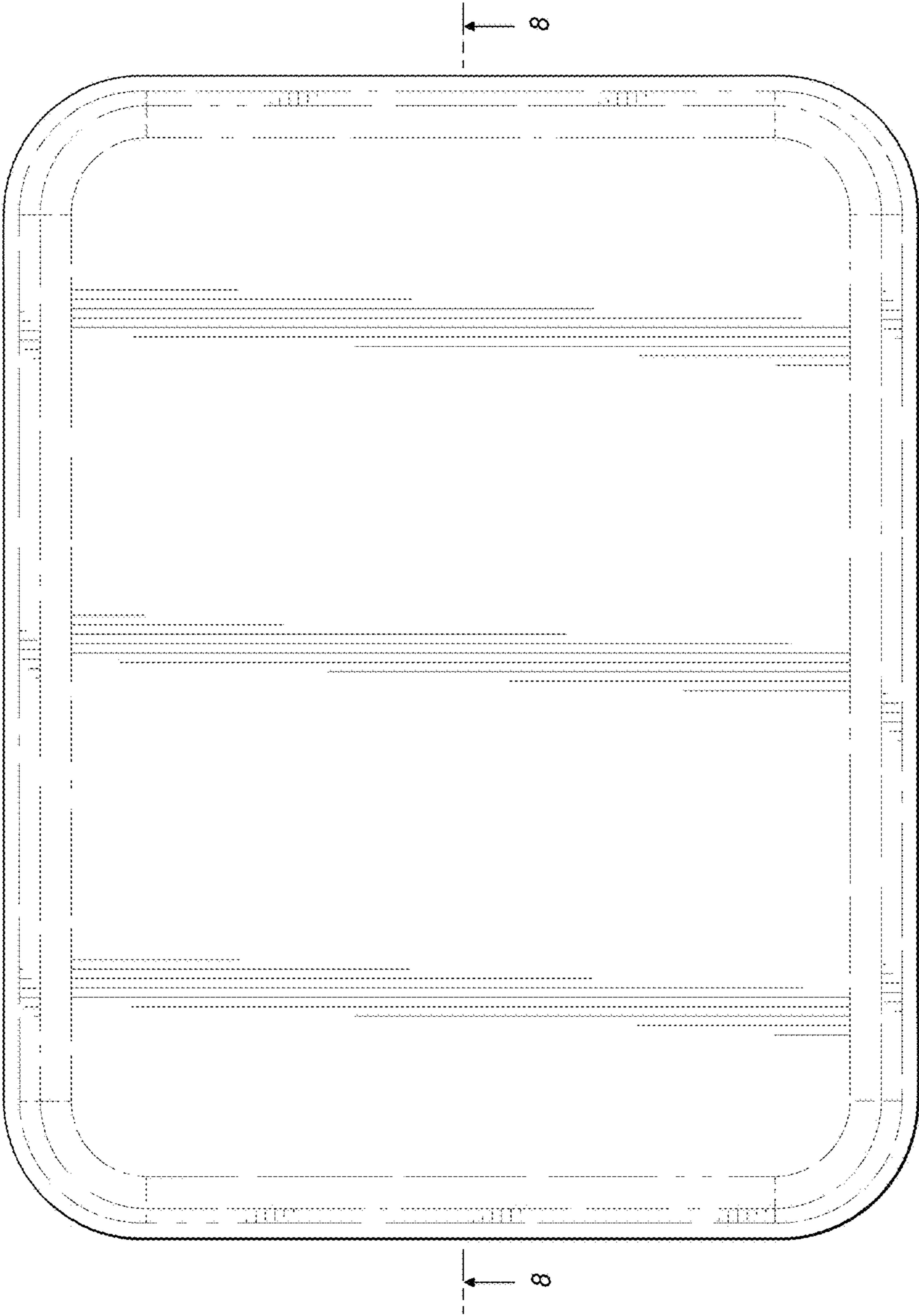


FIG. 6

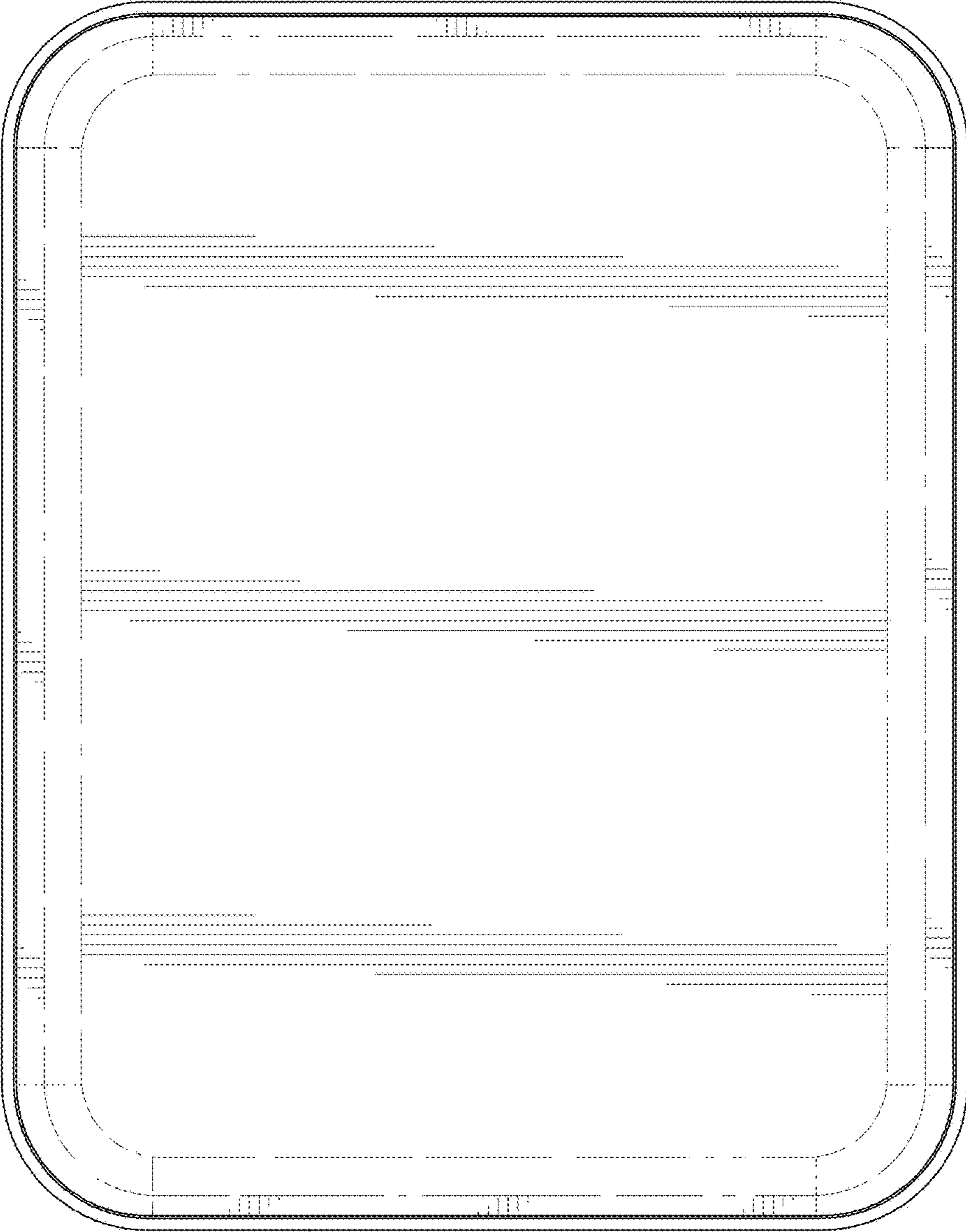


FIG. 7

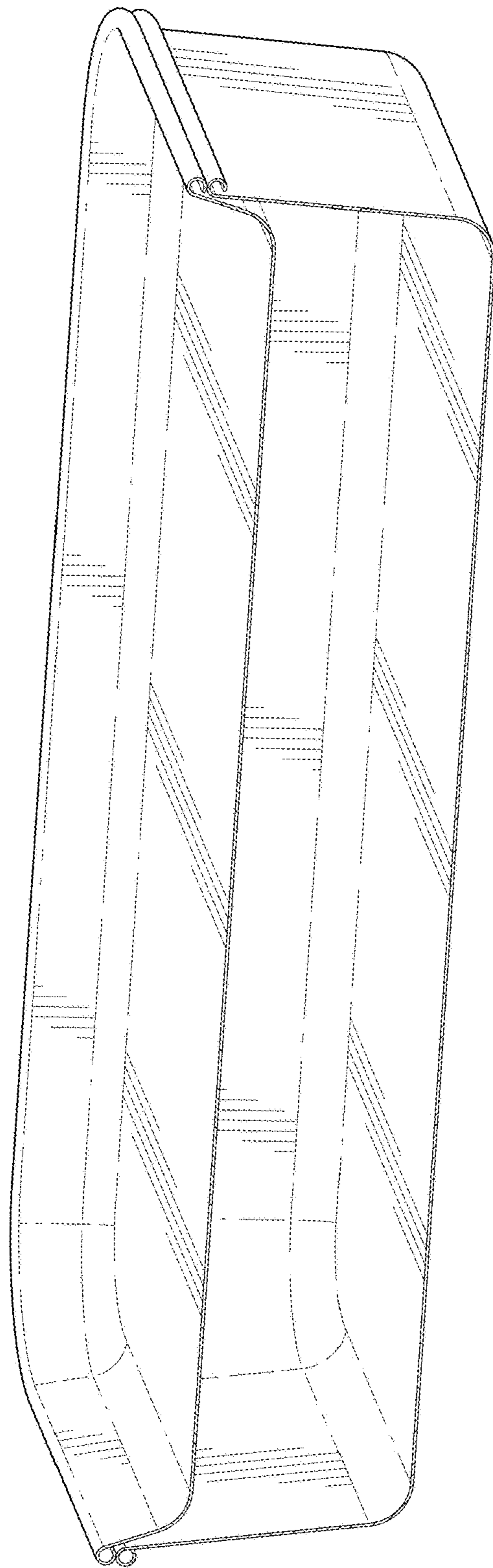


FIG. 8