



US00D838535S

(12) **United States Design Patent**  
**Garman**

(10) **Patent No.:** **US D838,535 S**

(45) **Date of Patent:** **\*\* Jan. 22, 2019**

(54) **COUNTERTOP OVEN**

(71) Applicant: **Hamilton Beach Brands, Inc.**, Glen Allen, VA (US)

(72) Inventor: **Michael Garman**, Stafford, VA (US)

(73) Assignee: **Hamilton Beach Brands, Inc.**, Glen Allen, VA (US)

(\*\*) Term: **15 Years**

(21) Appl. No.: **29/611,438**

(22) Filed: **Jul. 21, 2017**

(51) **LOC (11) Cl.** ..... **07-02**

(52) **U.S. Cl.**  
USPC ..... **D7/350.1**

(58) **Field of Classification Search**  
USPC ..... D7/323, 339, 340, 341, 347, 348, 349,  
D7/351, 350.1, 350.2, 350.3, 350.4, 402,  
D7/403, 405, 395  
CPC .. A21B 2/00; A21B 3/02; F24C 15/02; H05B  
1/0263; H05B 2206/044; H05B 6/763;  
H05B 6/76; H05B 6/802; H05B 6/808;  
H05B 6/64

See application file for complete search history.

(56) **References Cited**

**U.S. PATENT DOCUMENTS**

- D439,467 S \* 3/2001 Hsu ..... D7/350.4
- D501,356 S \* 2/2005 Averty ..... D7/350.4
- D614,906 S \* 5/2010 Fiorotto ..... D7/350.1
- D639,104 S \* 6/2011 Duncan ..... D7/350.1
- D644,311 S \* 8/2011 De' Longhi ..... D23/343
- D655,125 S \* 3/2012 Turner ..... D7/328
- D703,993 S \* 5/2014 Garman ..... D7/350.1
- D723,323 S \* 3/2015 Carlson ..... D7/350.1
- D737,620 S \* 9/2015 Miller ..... D7/328

- D737,621 S \* 9/2015 Miller ..... D7/328
- D737,622 S \* 9/2015 Miller ..... D7/328
- D738,154 S \* 9/2015 Miller ..... D7/328

**FOREIGN PATENT DOCUMENTS**

KR 300857557.0000 \* 6/2016

**OTHER PUBLICATIONS**

Amazon. <URL: [https://www.amazon.com/dp/B0043E6PLC/ref=psdc\\_289937\\_t1\\_B00GGFHH4U](https://www.amazon.com/dp/B0043E6PLC/ref=psdc_289937_t1_B00GGFHH4U)> Oct. 31, 2010. Black+Decker Countertop Convection Toaster Oven Silver CTO63355.\*

\* cited by examiner

*Primary Examiner* — Thomas Johannes

*Assistant Examiner* — Lauren D McVey

(74) *Attorney, Agent, or Firm* — Alexander D. Raring

(57) **CLAIM**

The ornamental design for a countertop oven, as shown and described.

**DESCRIPTION**

FIG. 1 is a top, right and front perspective view as seen from the top, right and front sides of a countertop oven showing my new design in a first position;

FIG. 2 is a front view thereof;

FIG. 3 is a rear view thereof;

FIG. 4 is a left side view thereof;

FIG. 5 is a right side view thereof;

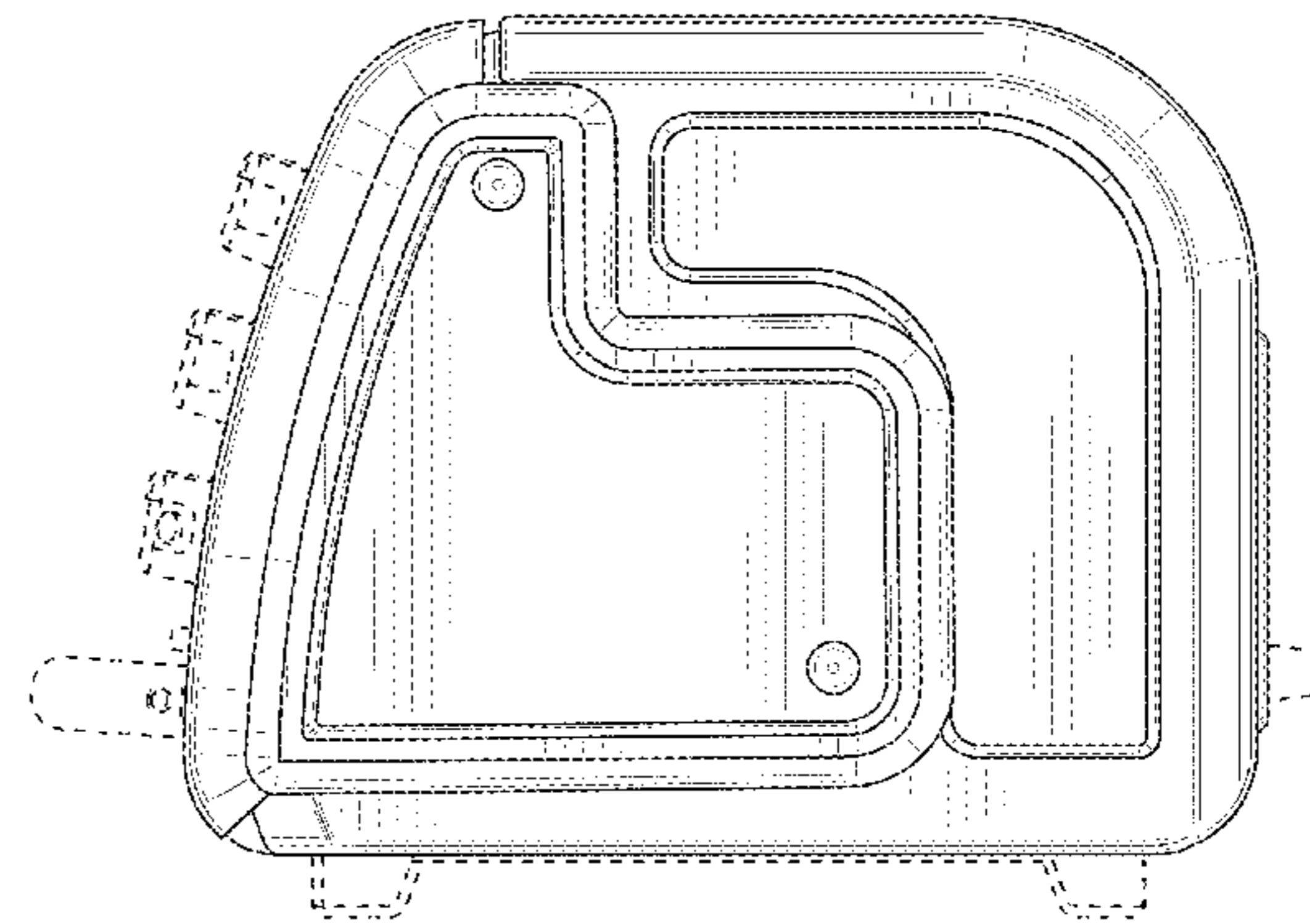
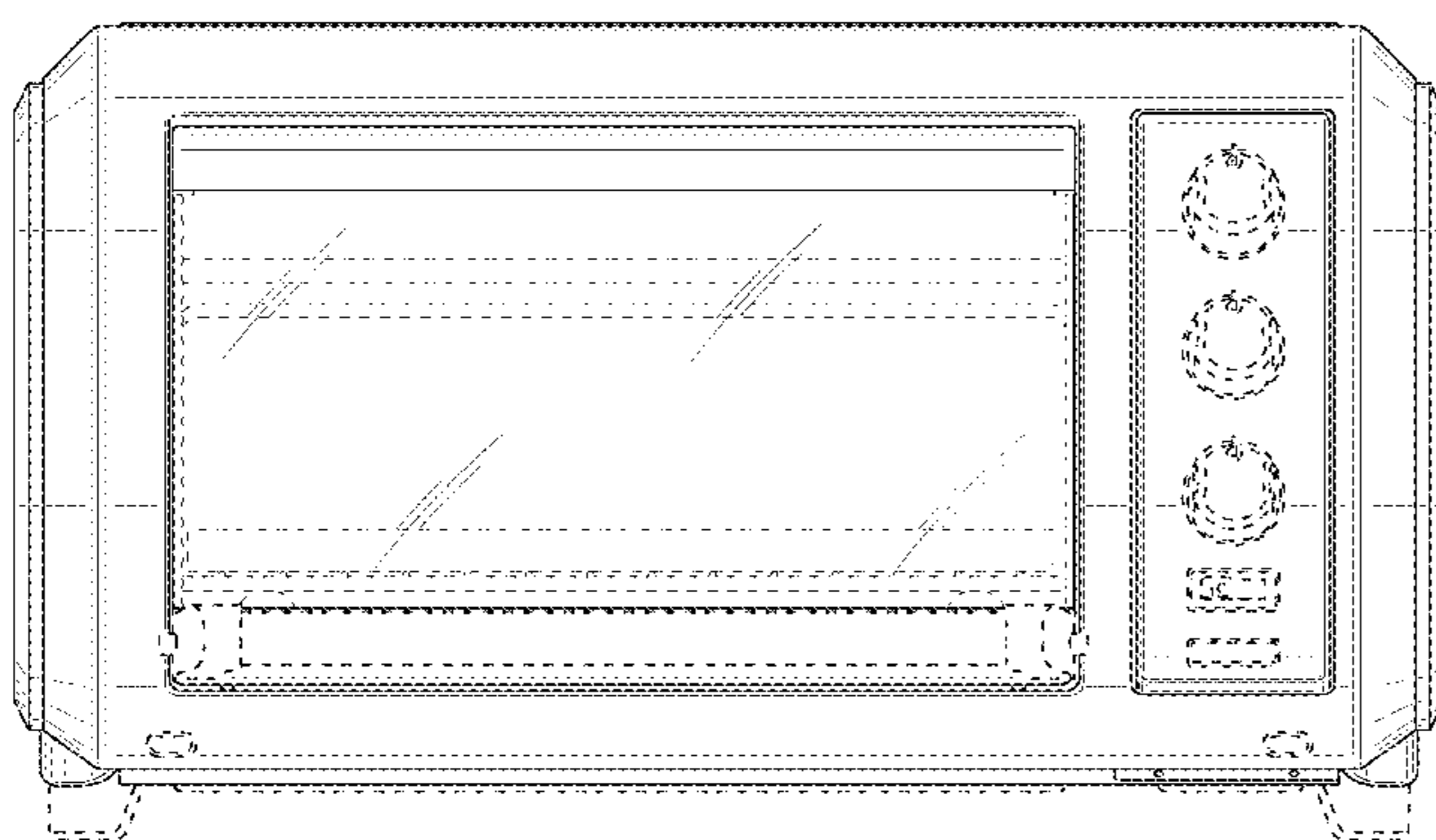
FIG. 6 is a top view thereof;

FIG. 7 is a bottom view thereof; and,

FIG. 8 is a top, right and front perspective view thereof in a second position in order to show aspects of the design not otherwise apparent.

The broken lines immediately adjacent the shaded areas represent the bounds of the claimed design while all other broken lines are directed to environment and are for illustrative purposes only; the broken lines form no part of the claimed design.

**1 Claim, 8 Drawing Sheets**



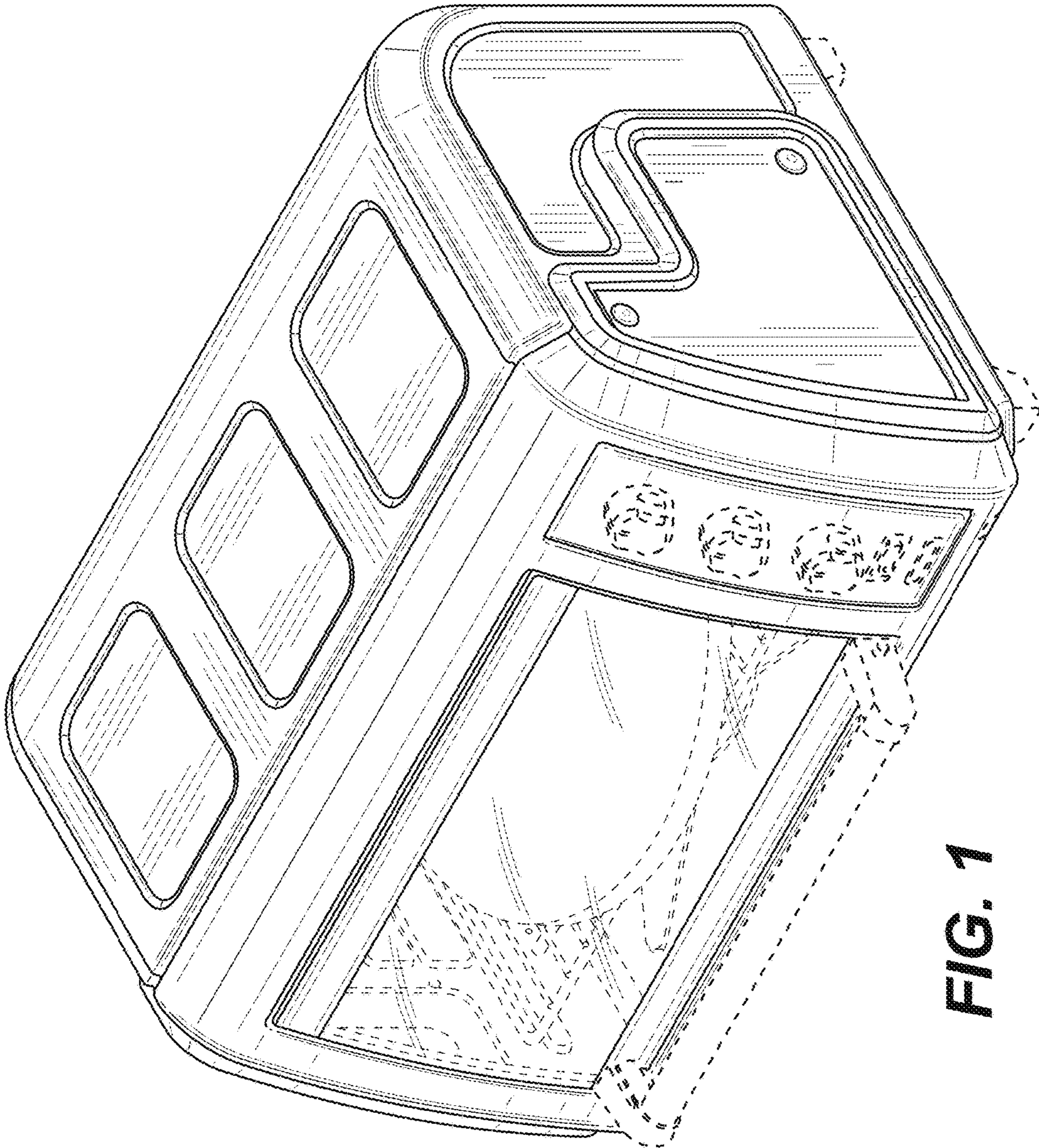


FIG. 1



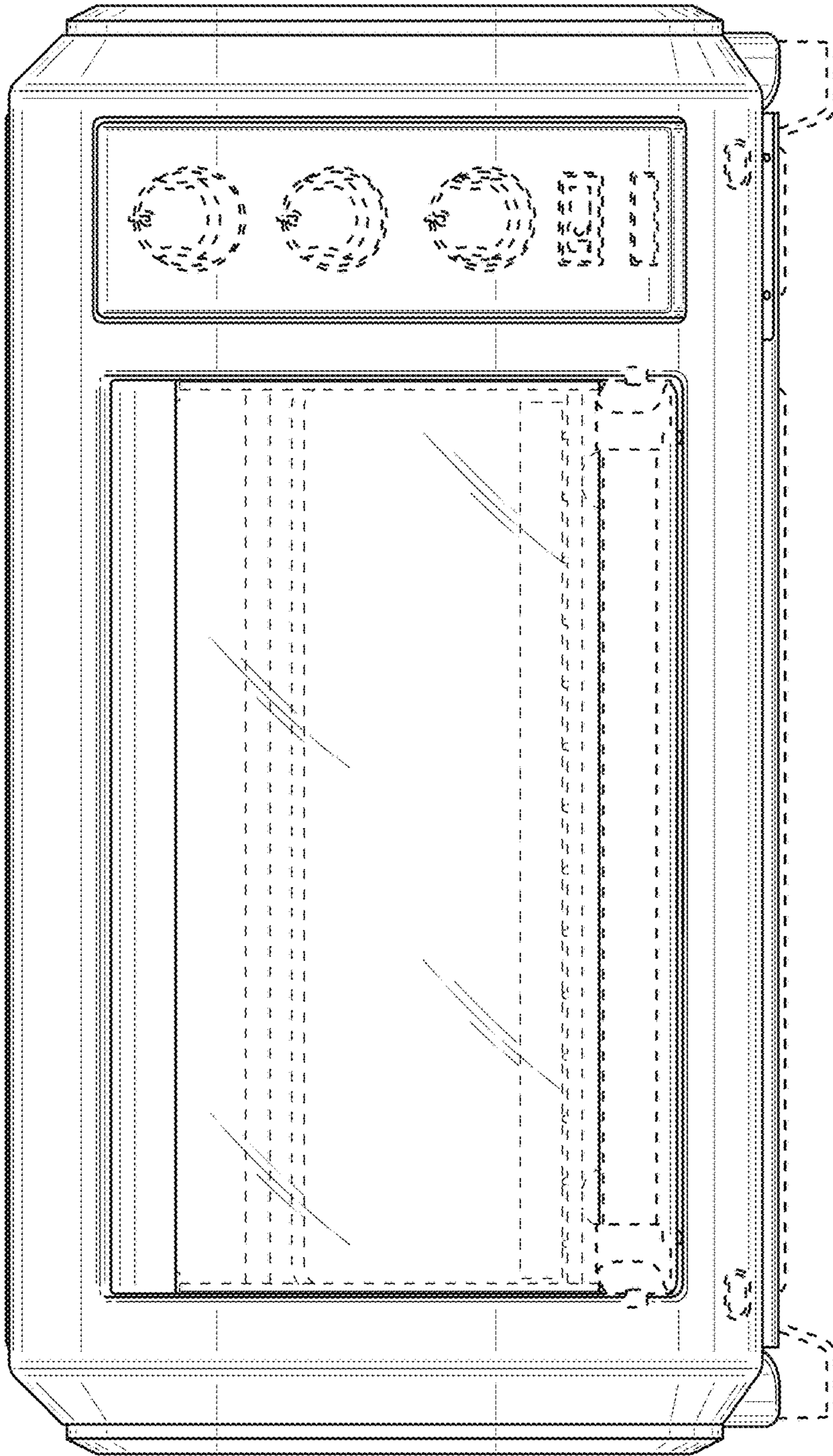
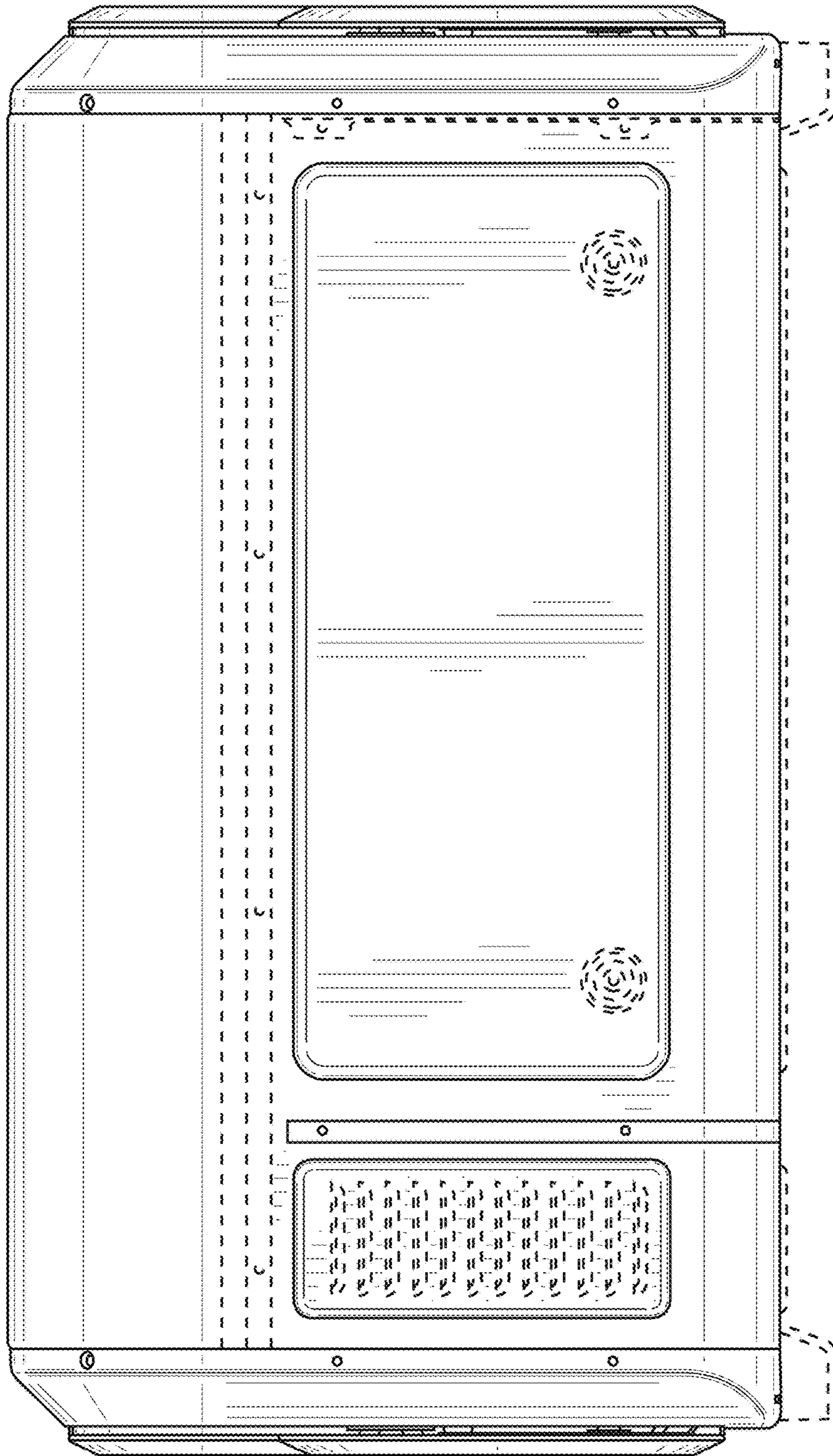
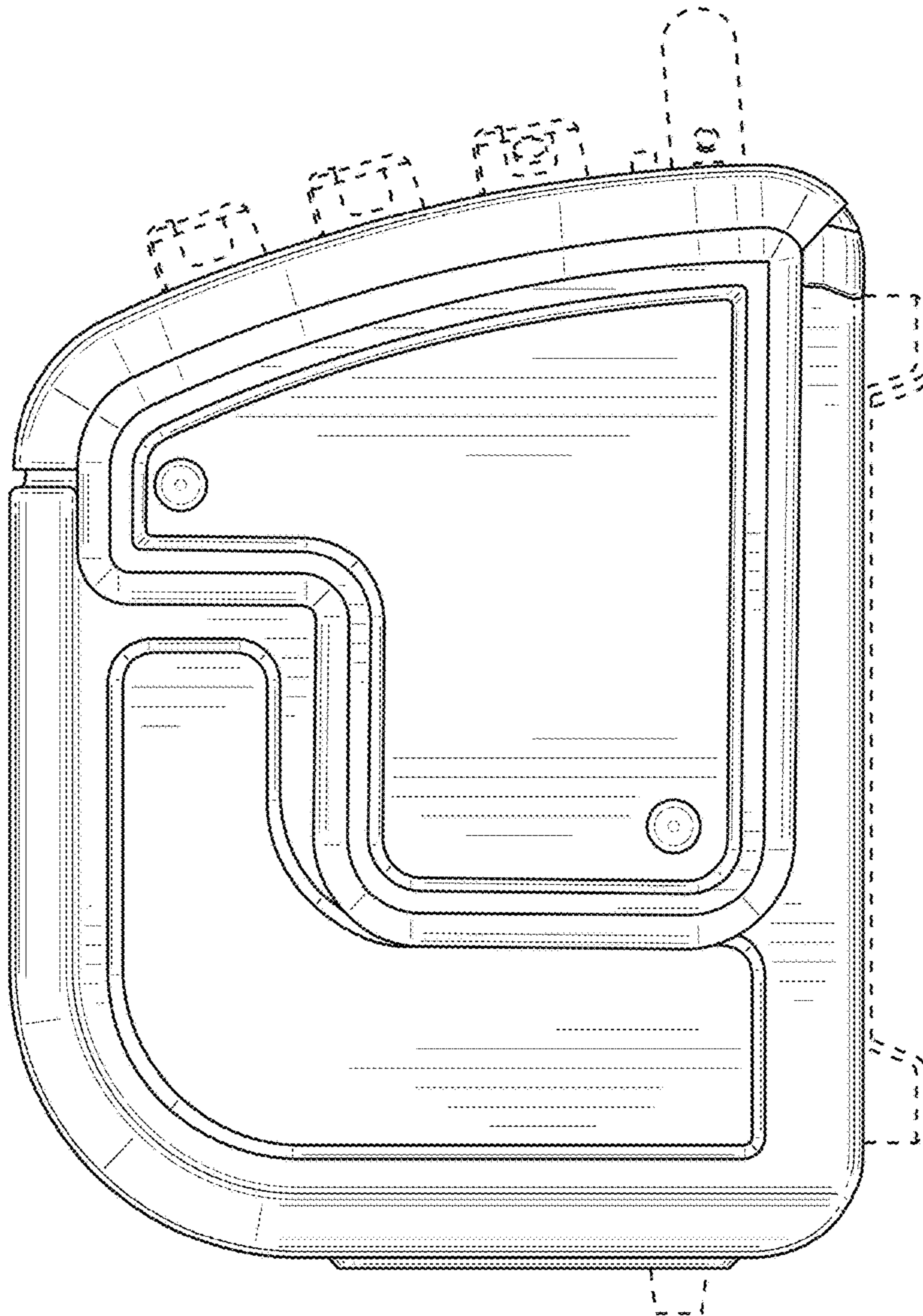


FIG. 2

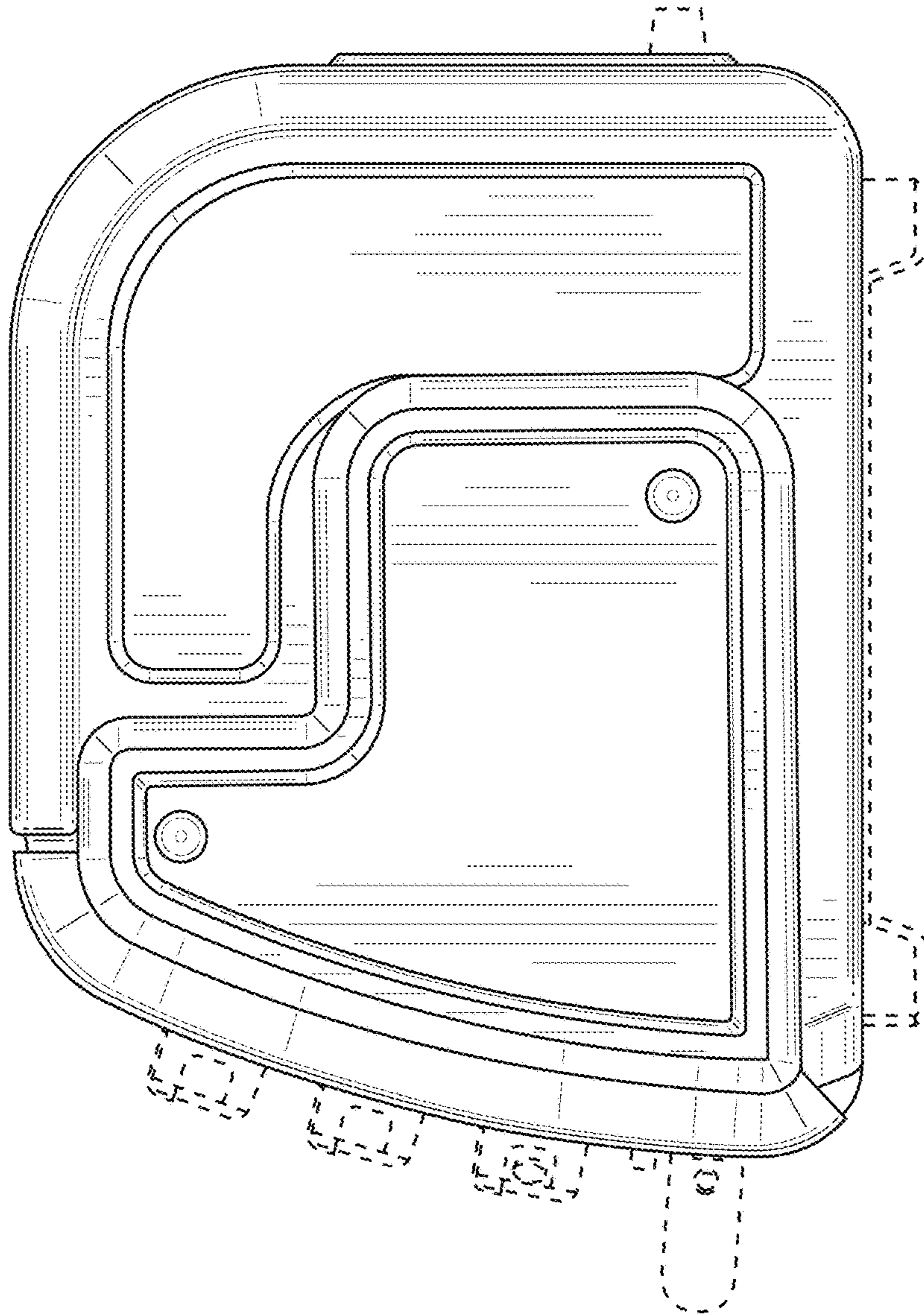


**FIG. 3**



**FIG. 4**





**FIG. 5**

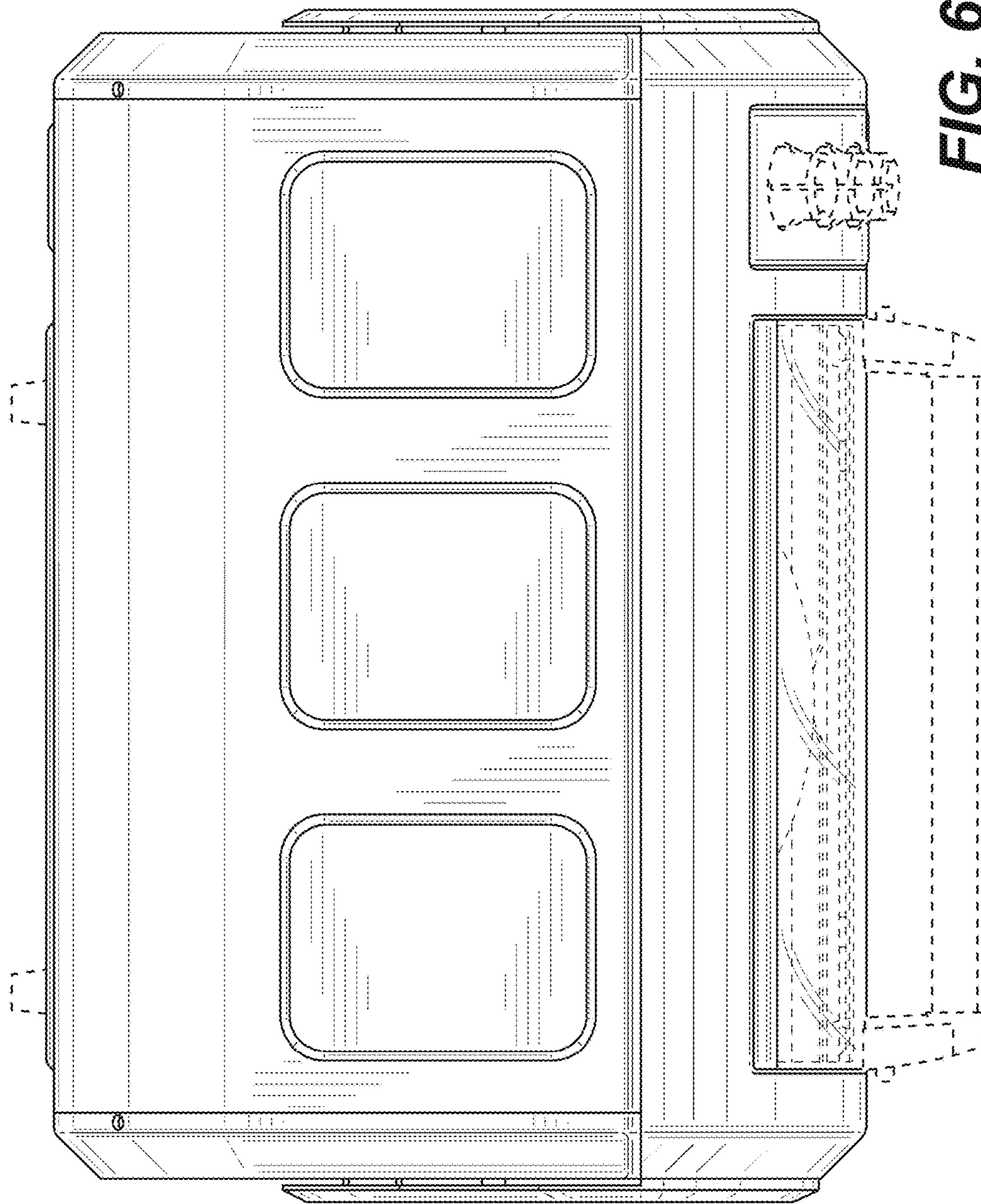


FIG. 6

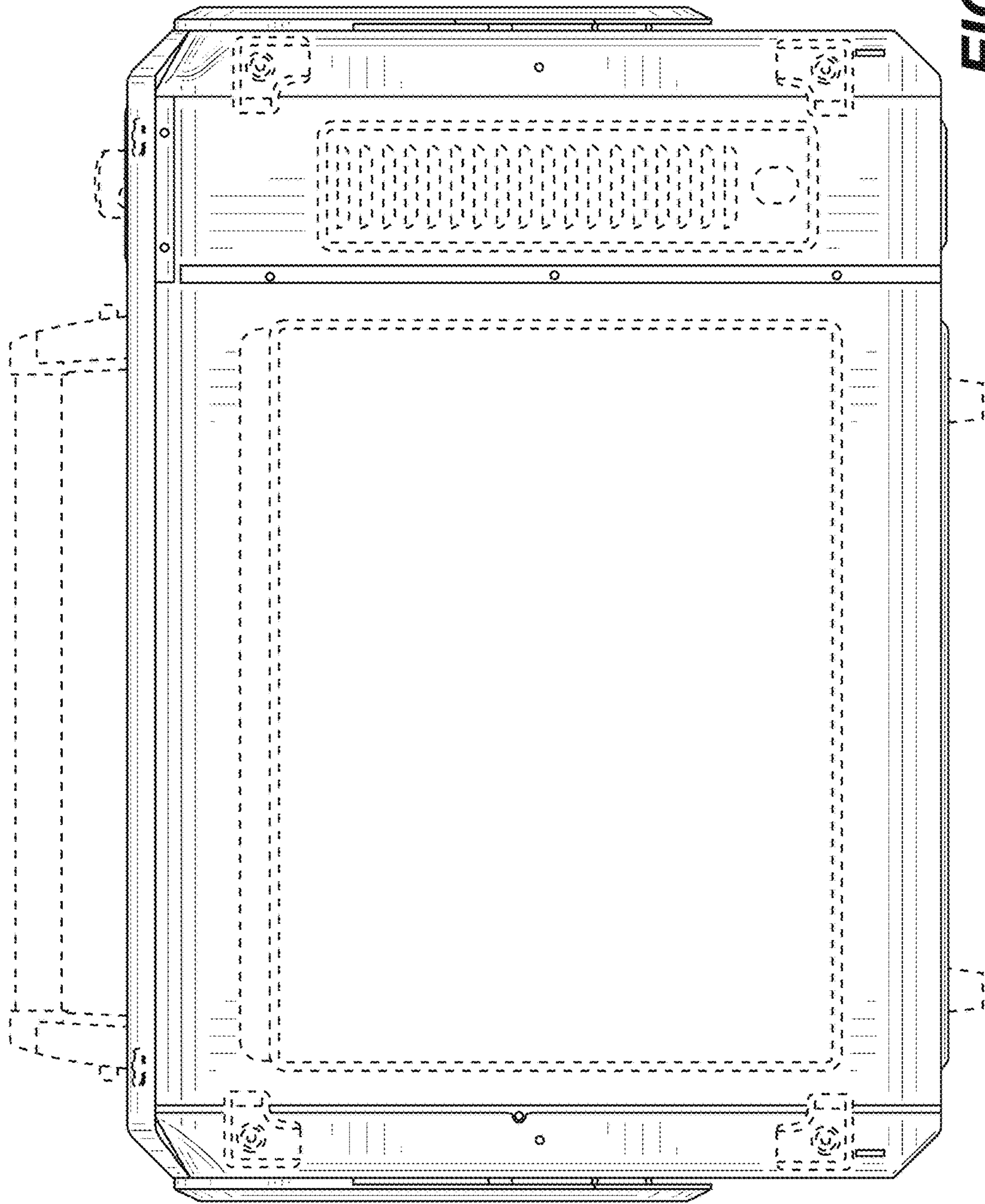


FIG. 7



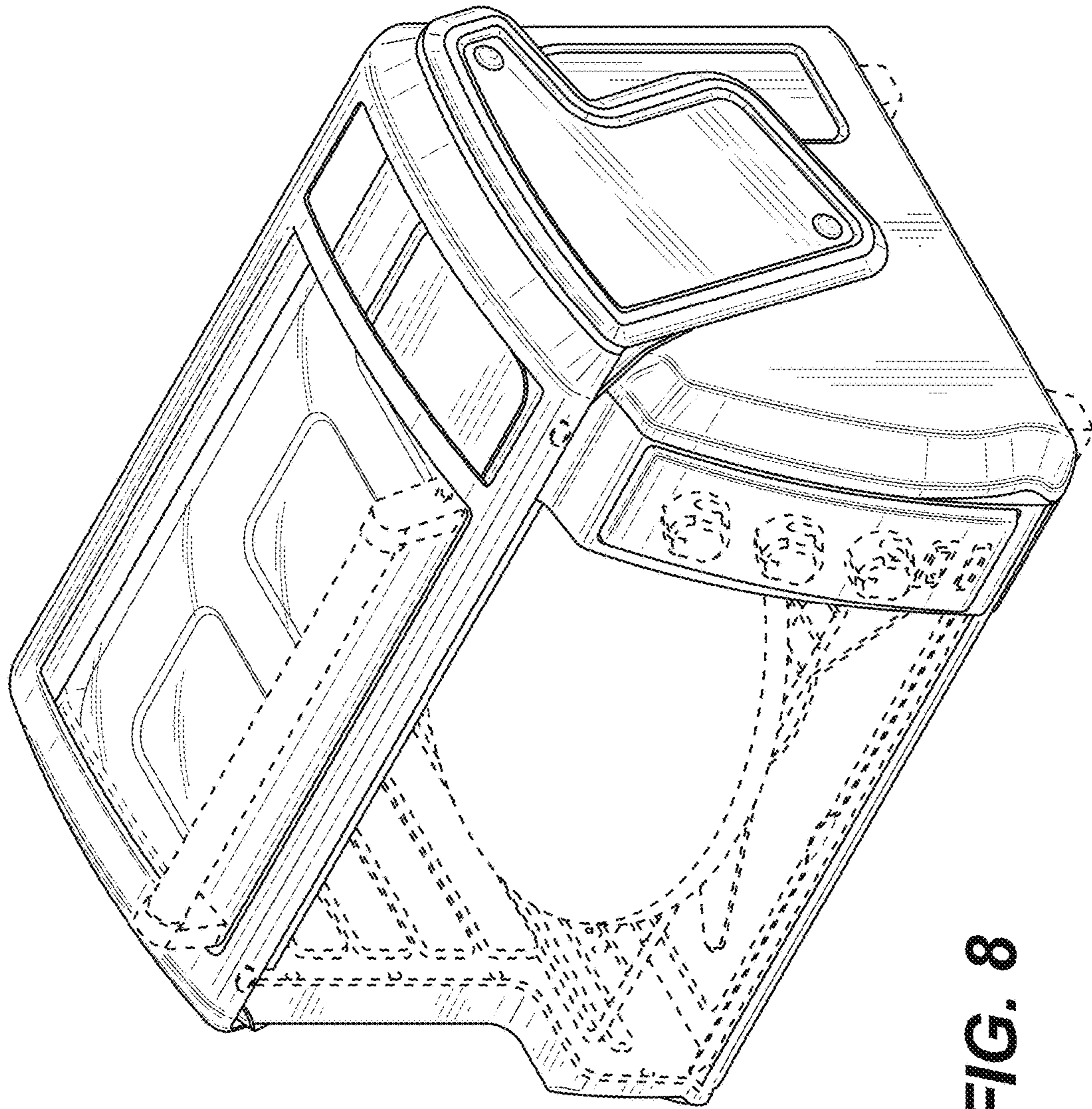


FIG. 8