



US00D838533S

(12) **United States Design Patent**  
**Tokoi**

(10) **Patent No.:** **US D838,533 S**  
(45) **Date of Patent:** **\*\* Jan. 22, 2019**

(54) **TOASTER OVEN**

FOREIGN PATENT DOCUMENTS

(71) Applicant: **IRIS OHYAMA INC.**, Sendai-shi,  
Miyagi (JP)

JP 1360695 S 6/2009

(72) Inventor: **Shohei Tokoi**, Kakuda (JP)

(73) Assignee: **IRIS OHYAMA INC.**, Sendai-shi (JP)

(\*\*) Term: **15 Years**

(21) Appl. No.: **29/642,308**

(22) Filed: **Mar. 28, 2018**

(30) **Foreign Application Priority Data**

Oct. 13, 2017 (JP) ..... 2017-022684

(51) **LOC (11) Cl.** ..... **07-02**

(52) **U.S. Cl.**  
USPC ..... **D7/328**

(58) **Field of Classification Search**  
USPC ..... D7/323, 328-330, 350.1, 351, 390  
CPC ... A21B 2/00; A47J 37/00; A47J 37/06; A47J  
37/0611; A47J 37/08; A47J 37/0807;  
A47J 37/0814; A47J 37/0835; A47J  
37/0842; A47J 37/085; A47J 37/0864;  
A47J 37/0878; A47J 37/0885; A47J  
37/0892; F24C 15/10; F24C 15/102

See application file for complete search history.

(56) **References Cited**

U.S. PATENT DOCUMENTS

D564,283 S \* 3/2008 Leung ..... D7/350.1  
D564,284 S \* 3/2008 Leung ..... D7/350.1  
D585,235 S \* 1/2009 Tetreault ..... D7/350.1  
D614,905 S \* 5/2010 Fiorotto ..... D7/350.1  
D655,970 S \* 3/2012 De' Longhi ..... D7/351  
D825,247 S \* 8/2018 Dash ..... D7/328

OTHER PUBLICATIONS

An Office Action; "Notice of Allowance", issued by the Japanese Patent Office dated Jan. 23, 2018, which corresponds to Japanese Design Application No. 2017-022684; with English language Concise Explanation.

ASKUL Corporation; publications on website; Japan Patent Office Design Patent Department, publicly known reference No. HJ25016909. Tiger Corporation; publications on website; Japan Patent Office Design Patent Department, publicly known reference No. HJ29030672. Sanyei Corporation; publications on website; Japan Patent Office Design Patent Department, publicly known reference No. HJ25059178.

\* cited by examiner

*Primary Examiner* — Ricky Pham

(74) *Attorney, Agent, or Firm* — Studebaker & Brackett PC

(57) **CLAIM**

The ornamental design for a toaster oven, as shown and described.

**DESCRIPTION**

FIG. 1 is a front, top and right-side perspective view of a toaster oven showing my new design;  
FIG. 2 is a front view thereof;  
FIG. 3 is a rear view thereof;  
FIG. 4 is a top view thereof;  
FIG. 5 is a bottom view thereof;  
FIG. 6 is a right-side view thereof;  
FIG. 7 is a left-side view thereof;  
FIG. 8 is a cross-sectional view taken along line 8-8 in FIG. 2, in which an internal mechanism is omitted; and,  
FIG. 9 is a cross-sectional view taken along line 9-9 in FIG. 4, in which an internal mechanism is omitted.

**1 Claim, 9 Drawing Sheets**

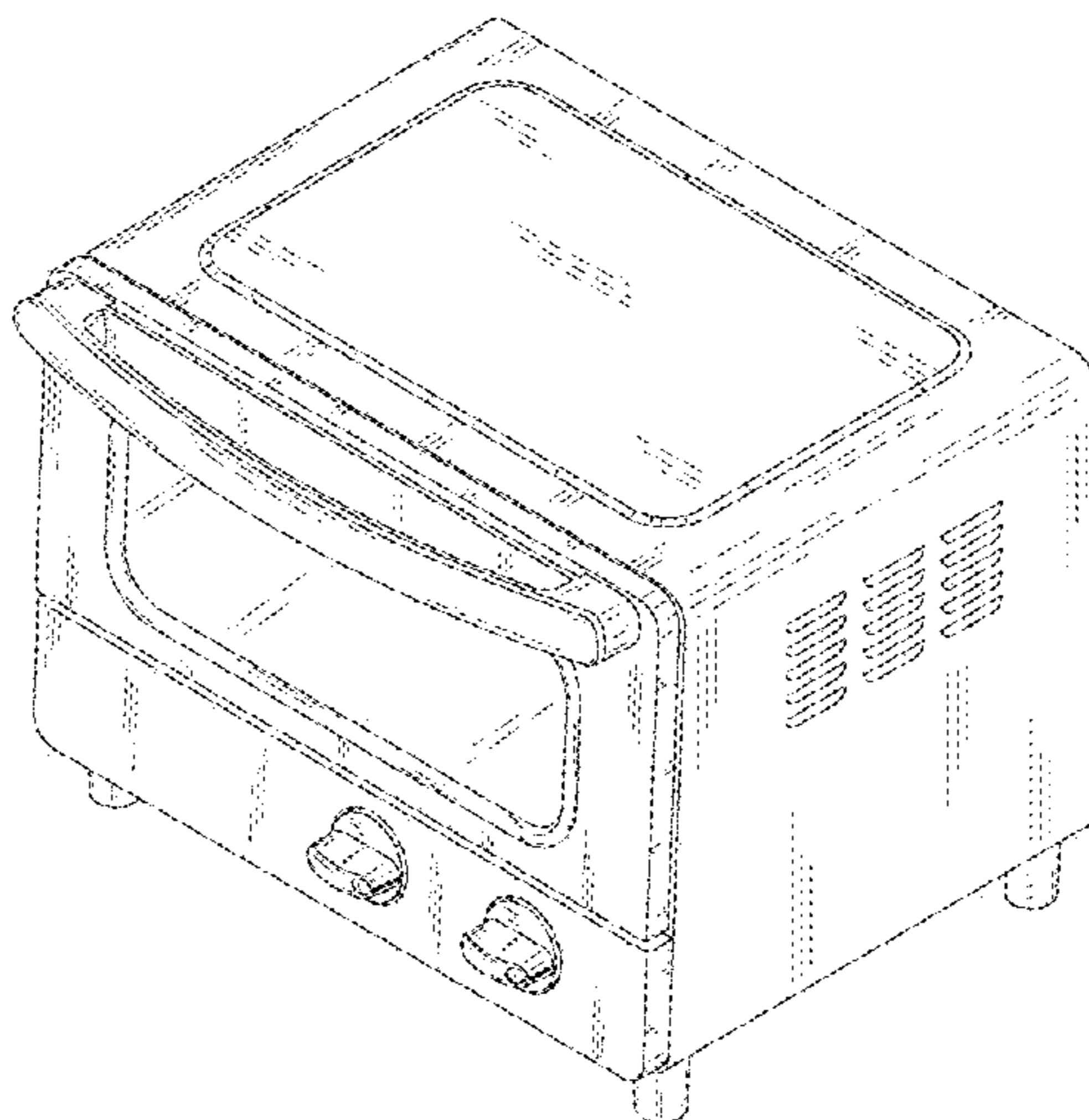


FIG. 1

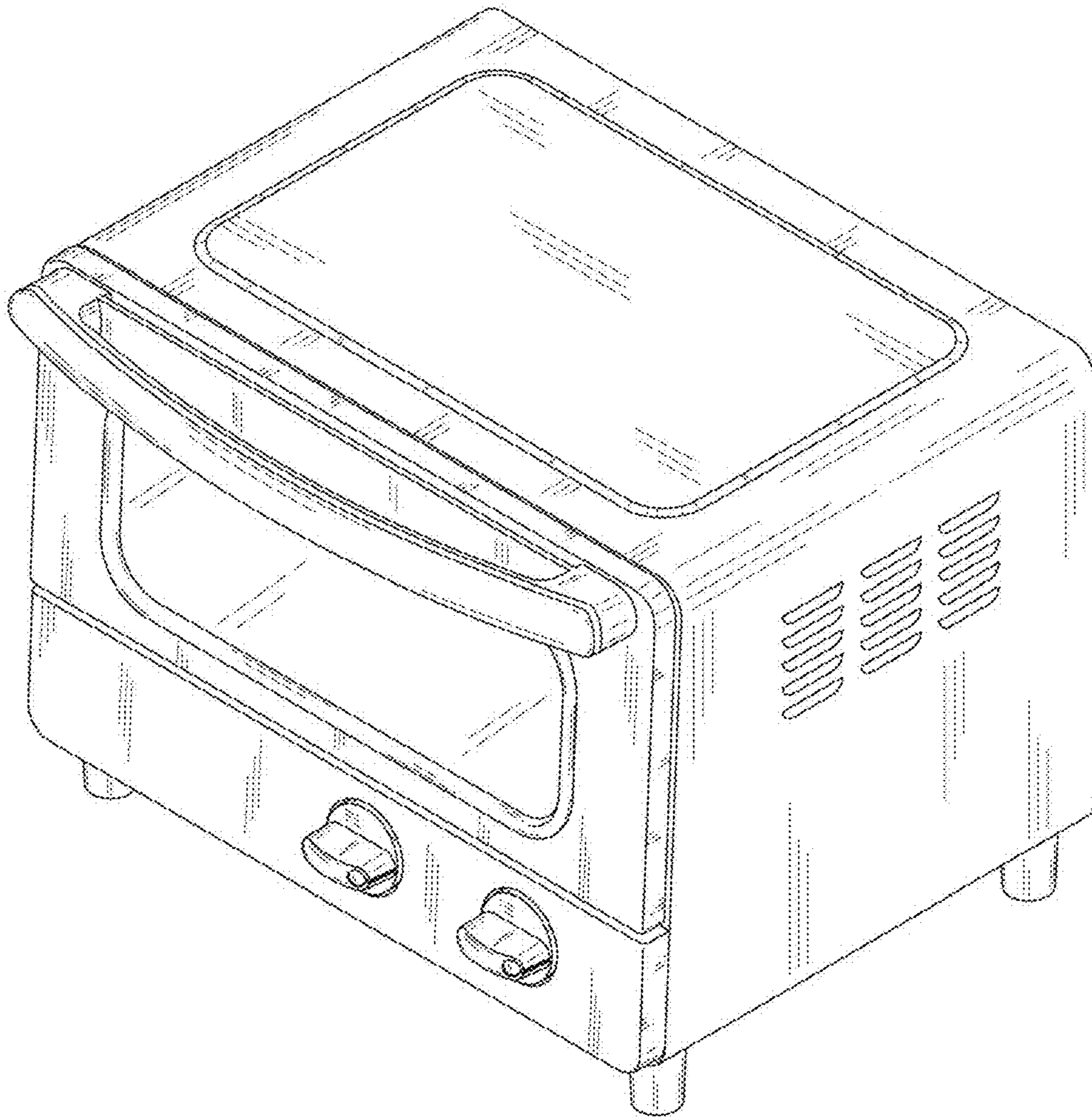
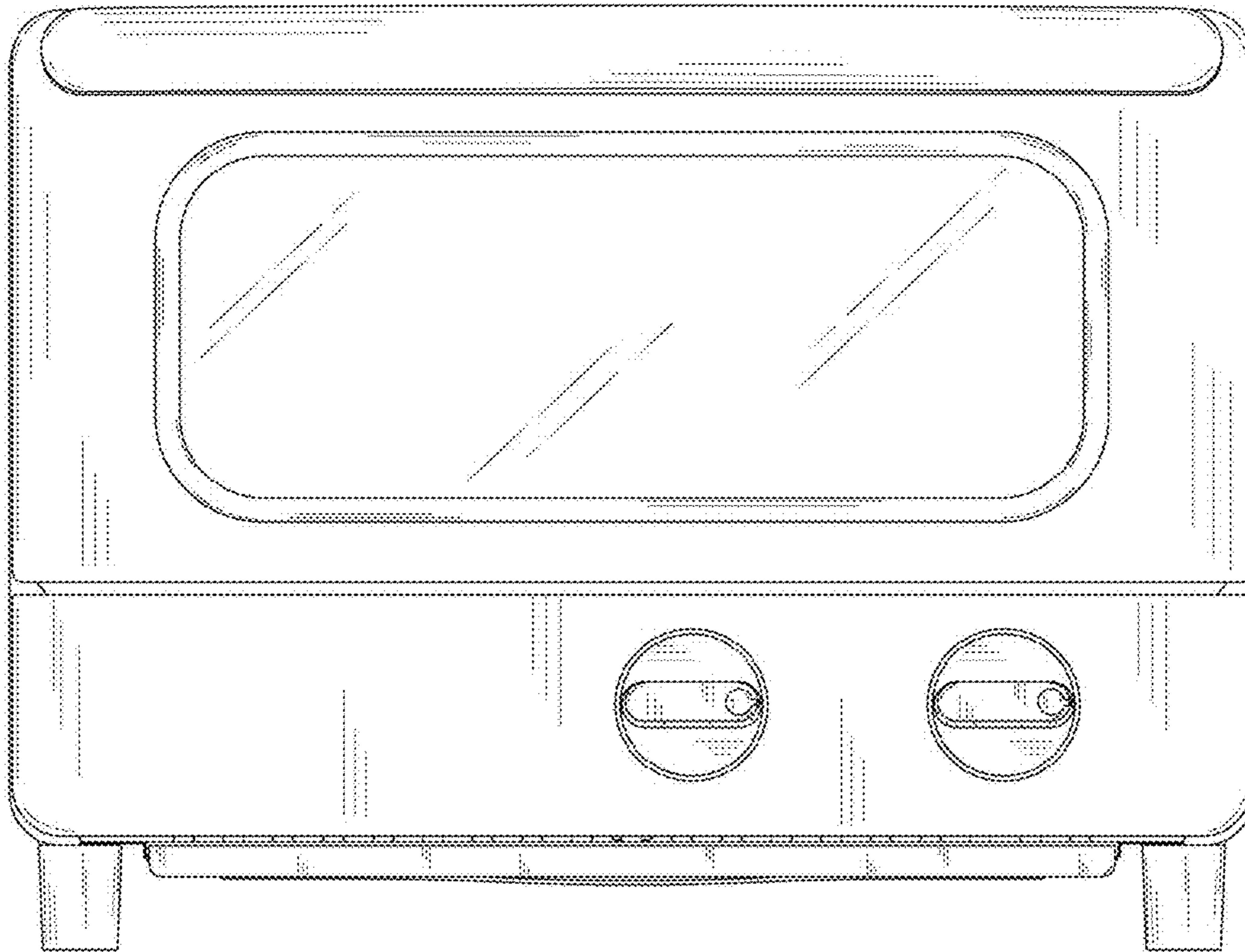


FIG. 2

8 ←



8 ←

FIG. 3

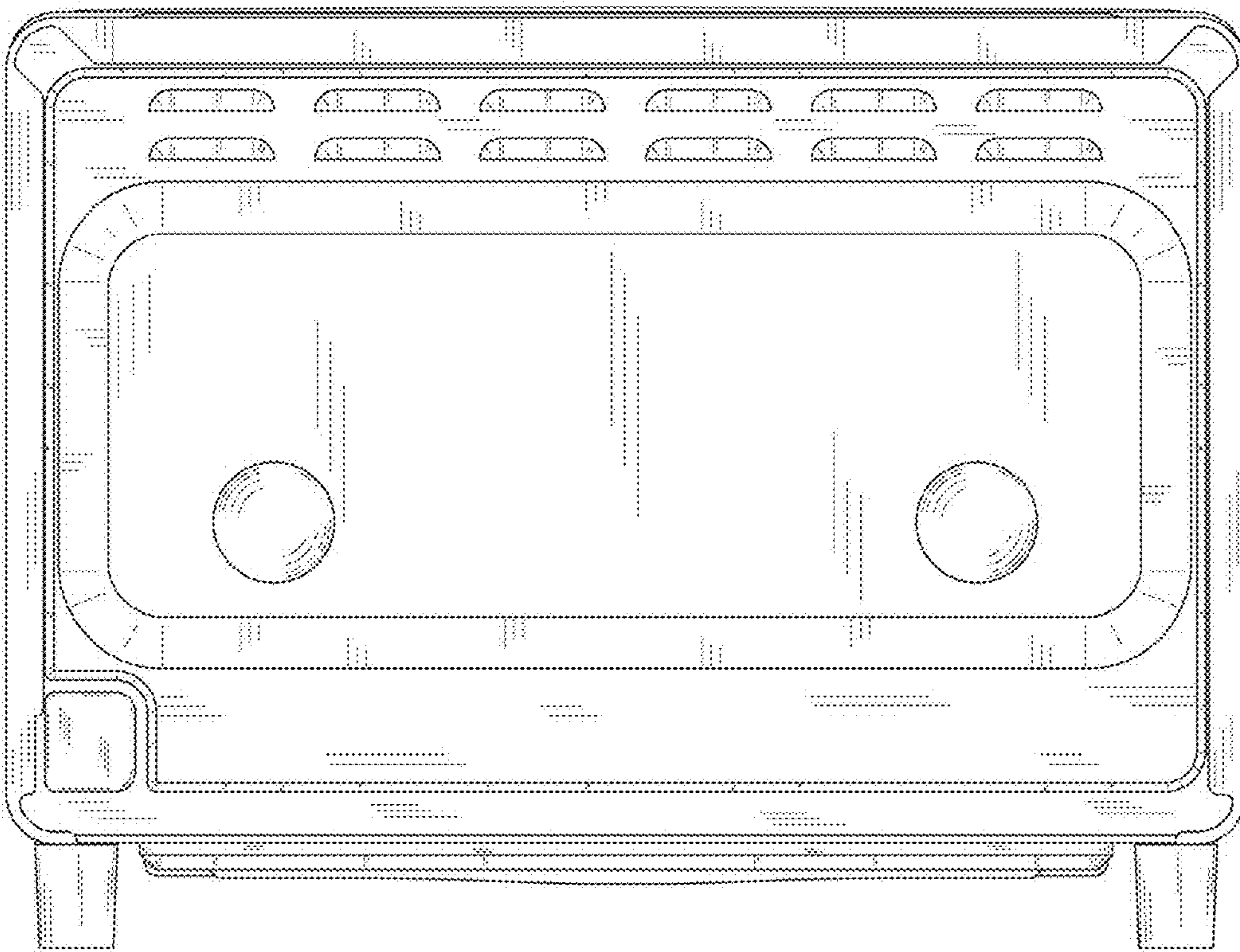


FIG. 4

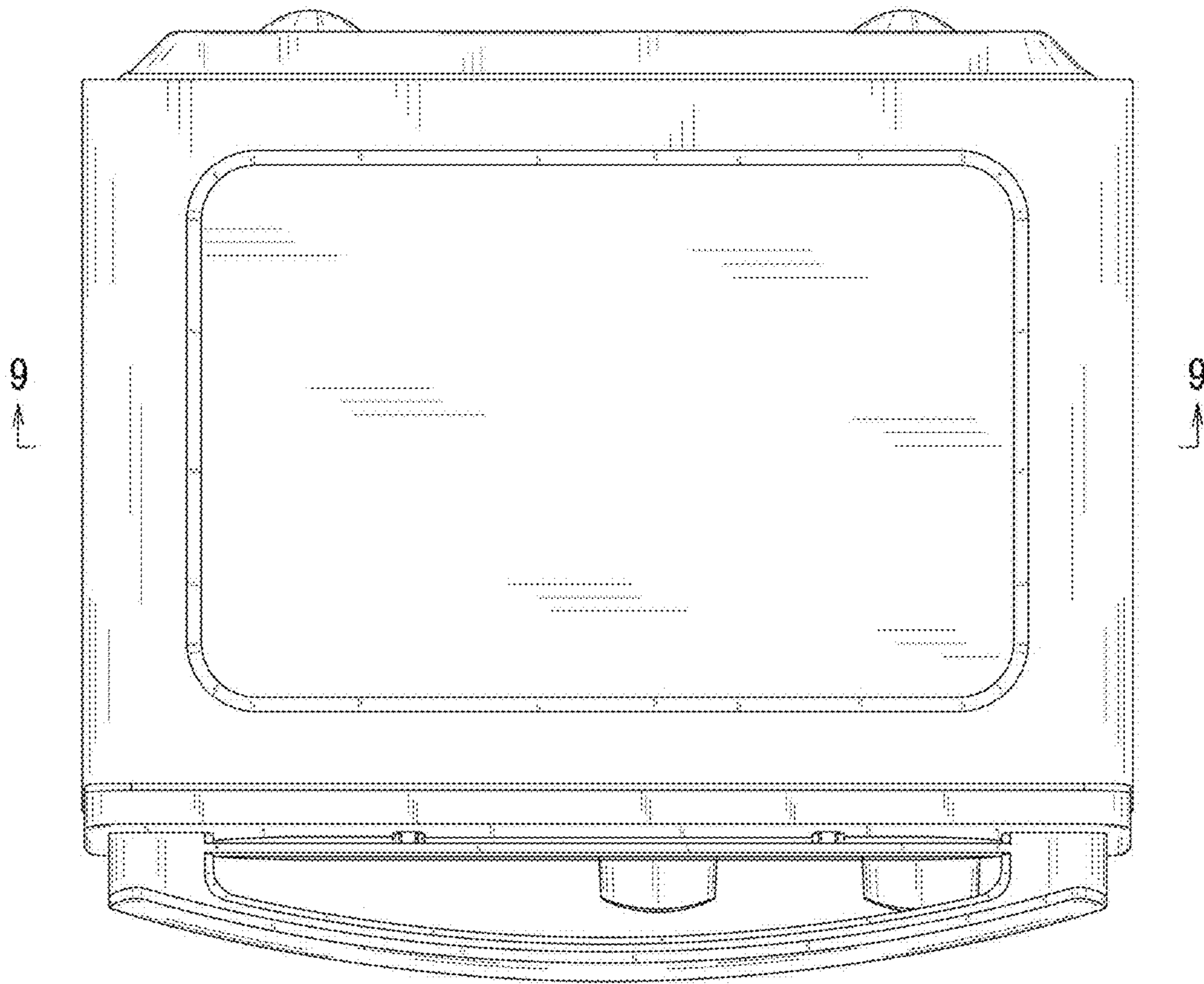


FIG. 5

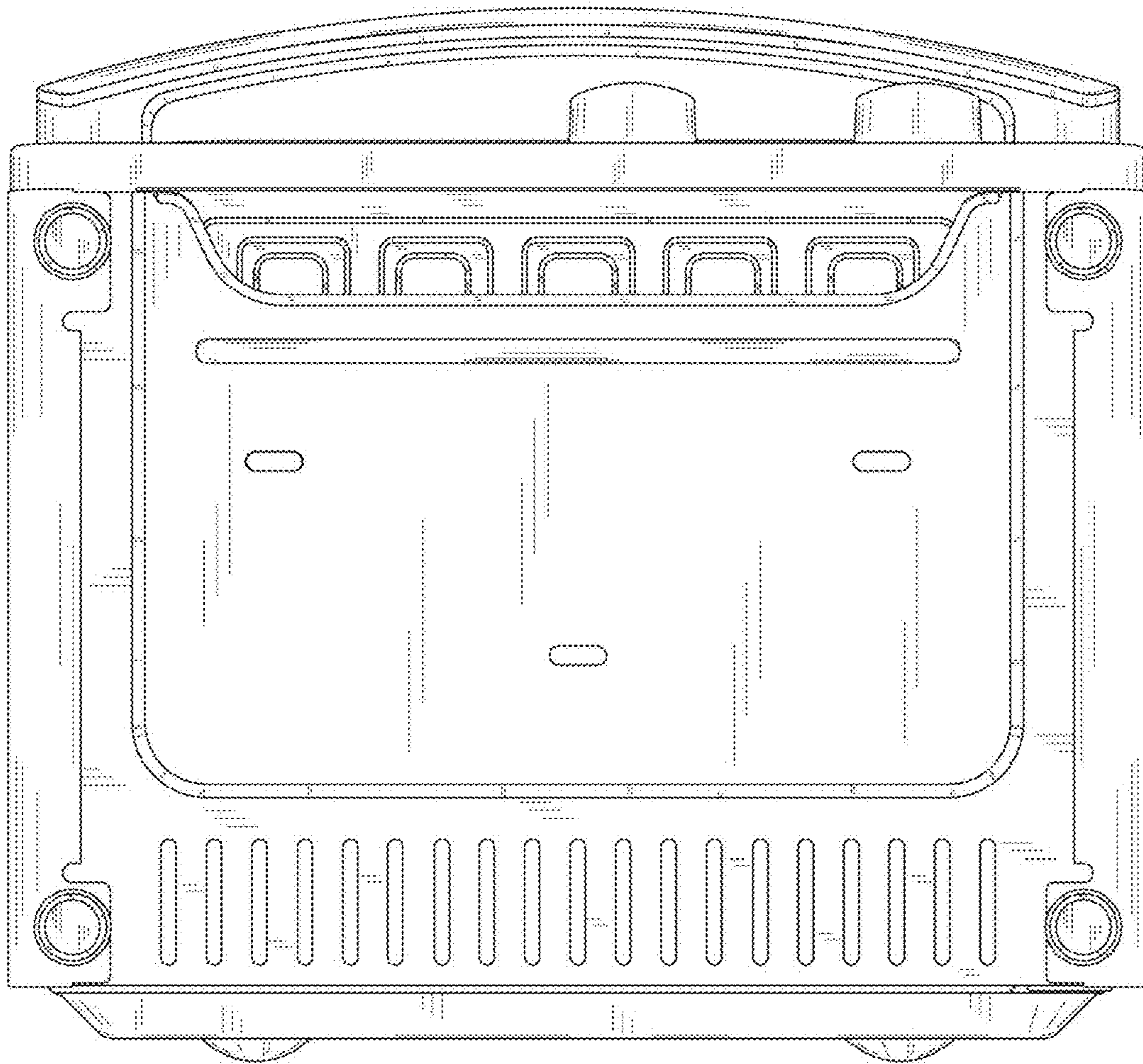


FIG. 6

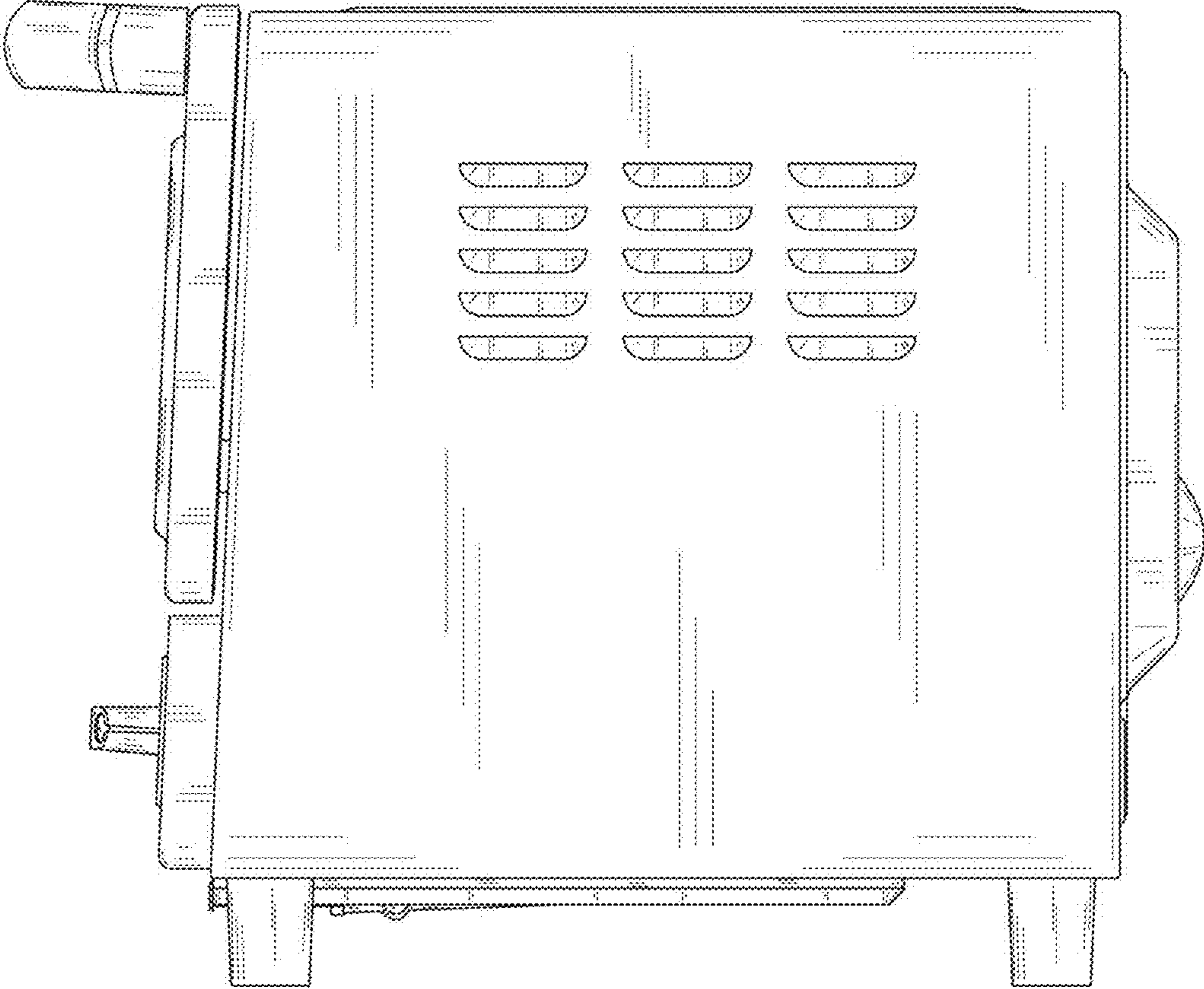


FIG. 7

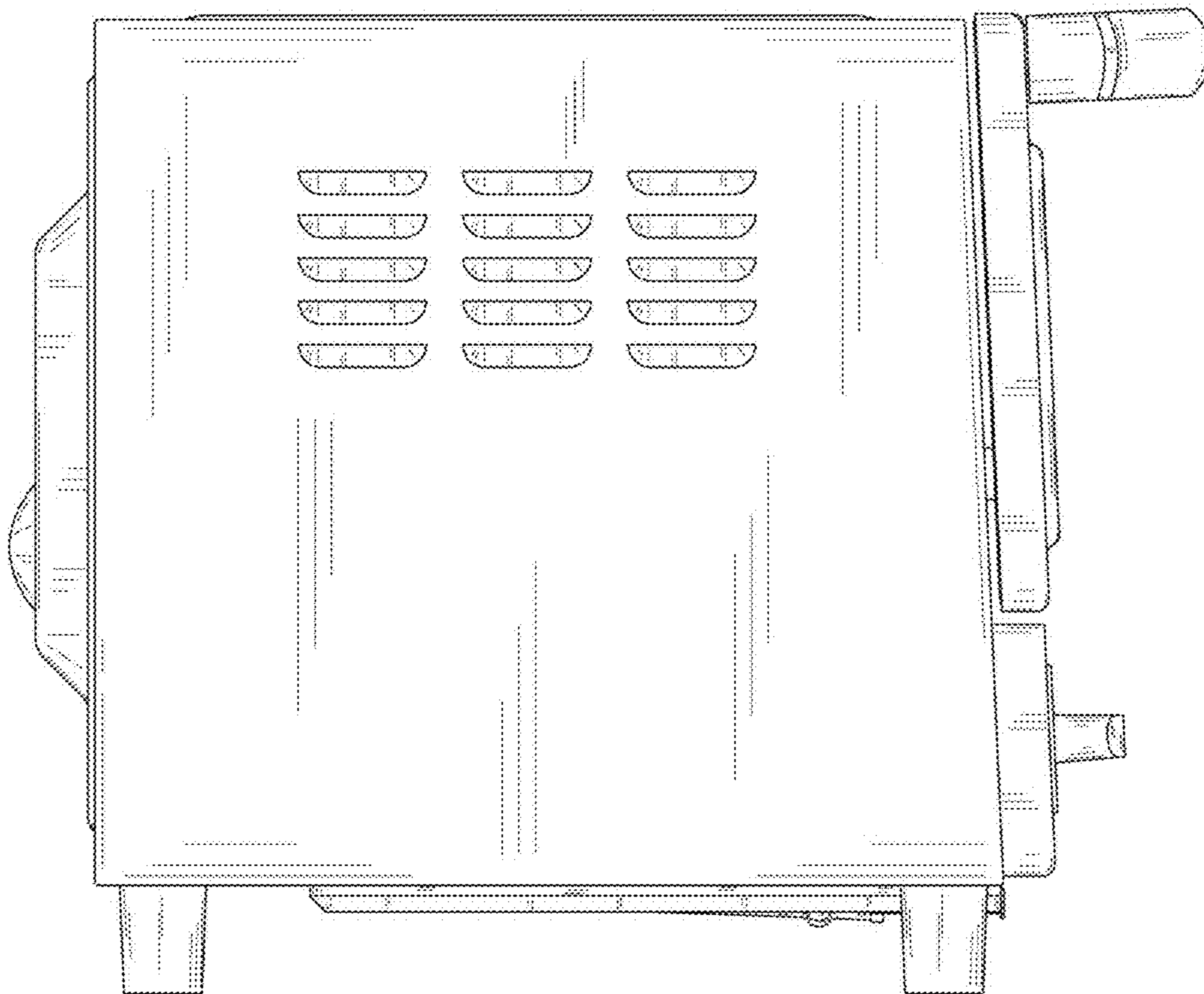




FIG. 8

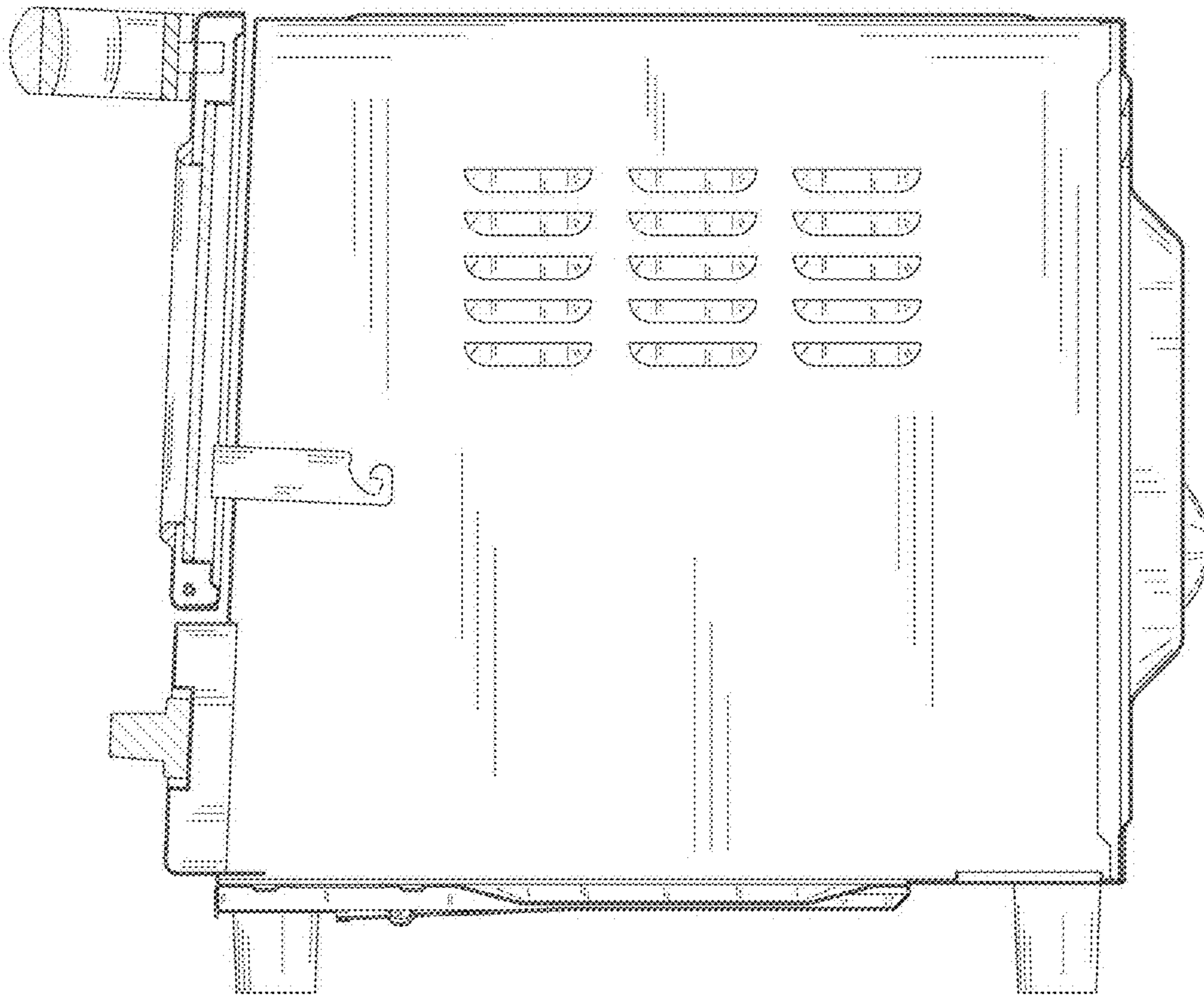


FIG. 9

