



US00D838532S

(12) **United States Design Patent**
Seidl et al.

(10) **Patent No.:** **US D838,532 S**
(45) **Date of Patent:** **** Jan. 22, 2019**

(54) **MACHINES FOR PREPARING BEVERAGES**

(71) Applicant: **LUIGI LAVAZZA S.P.A.**, Turin (IT)

(72) Inventors: **Florian Seidl**, Turin (IT); **Luca Franzosi**, Cornaredo (IT); **Stefano Lovati**, Gaggiano (IT)

(73) Assignee: **Luigi Lavazza S.p.A.**, Turin (IT)

(**) Term: **15 Years**

(21) Appl. No.: **35/502,650**

(22) Filed: **Sep. 19, 2016**

(80) **Hague Agreement Data**

Int. Filing Date: **Sep. 19, 2016**
Int. Reg. No.: **DM/092646**
Int. Reg. Date: **Sep. 19, 2016**
Int. Reg. Pub. Date: **Mar. 24, 2017**

(51) **LOC (11) Cl.** **07-02**

(52) **U.S. Cl.**
USPC **D7/311**
CPC **A47J 31/44** (2013.01)

(58) **Field of Classification Search**
USPC D7/305-311, 313; D15/82; 222/129.1, 222/146.6; 99/295
CPC A47J 31/44; A47J 31/4403; A47J 31/46; A47J 31/4482; A47J 31/369; A47J 31/407; A47J 31/10; A47J 31/467; A47J 31/0615; B67D 1/36; B67D 2210/0065; B67D 1/0864; B67D 3/0061
See application file for complete search history.

(56) **References Cited**

U.S. PATENT DOCUMENTS

D495,188 S * 8/2004 Cahen D7/306
D540,608 S * 4/2007 Cahen D7/306
D574,175 S * 8/2008 Cahen D7/306
D595,992 S * 7/2009 Clark D7/309

D596,441 S * 7/2009 Cahen D7/309
D596,442 S * 7/2009 Cahen D7/309
D600,967 S * 9/2009 Cahen D7/309
D602,303 S * 10/2009 Cahen D7/309
D612,657 S * 3/2010 Luippold D7/306
D644,058 S * 8/2011 Cahen D7/306
D649,392 S * 11/2011 Cahen D7/306
D666,050 S * 8/2012 Cionfoli D7/309
D666,051 S * 8/2012 de Pra D7/309
D666,451 S * 9/2012 Cheng D7/309
D667,251 S * 9/2012 Cahen D7/306
D674,232 S * 1/2013 Lavy D7/309
D674,233 S * 1/2013 Lavy D7/309
D678,710 S * 3/2013 Xie D7/309
8,479,640 B2 * 7/2013 Gavillet A47J 31/3628
99/295
D695,054 S * 12/2013 De Pra D7/309
D695,560 S * 12/2013 Cahen D7/309
D696,888 S * 1/2014 Cahen D7/309
8,627,760 B2 * 1/2014 Kollep A47J 31/4482
99/279
D703,477 S * 4/2014 Celli D7/306
8,800,433 B2 * 8/2014 Cahen A47J 31/44
99/289 R
D713,667 S * 9/2014 Marsland D7/306
D714,088 S * 9/2014 Cahen D7/309

(Continued)

Primary Examiner — Richard E Chilcot

(74) *Attorney, Agent, or Firm* — Nixon & Vanderhye P.C.

(57) **CLAIM**

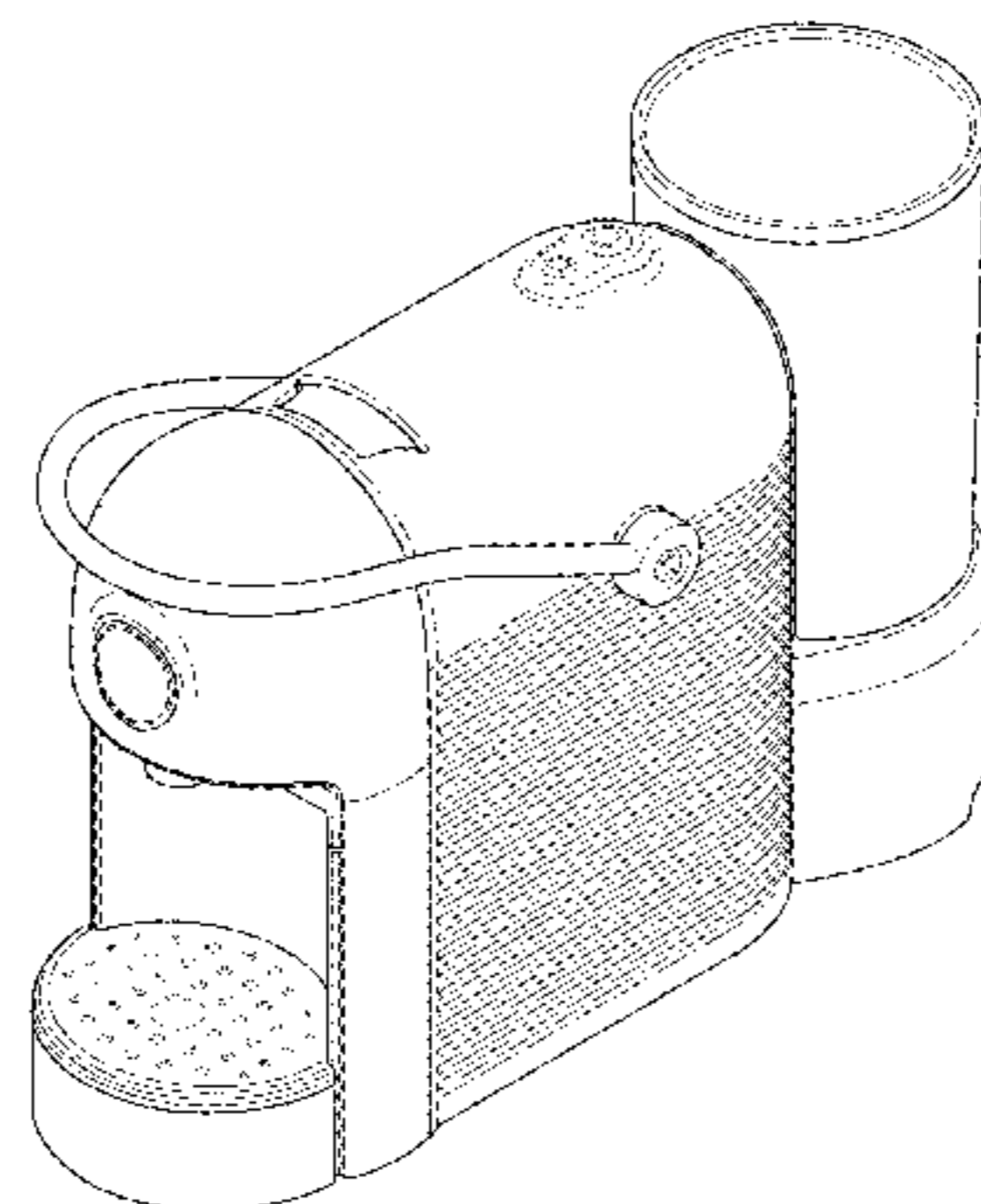
The ornamental design for a machine for preparing beverages, as shown and described.

DESCRIPTION

FIG. 2.1 is a front perspective view;
FIG. 2.2 is a front view;
FIG. 2.3 is a rear view;
FIG. 2.4 is a right side view;
FIG. 2.5 is a left side view; and
FIG. 2.6 is a top view.

The broken lines showing in the drawings are included for the purpose of illustrating portions of the article, and form no part of the claimed design.

1 Claim, 6 Drawing Sheets



(56)

References Cited

U.S. PATENT DOCUMENTS

D721,247 S *	1/2015	Manly	D7/306
D723,317 S *	3/2015	Manly	D7/306
D724,369 S *	3/2015	Cahen	D7/309
D728,987 S *	5/2015	Cahen	D7/309
D728,988 S *	5/2015	Warburton	D7/306
D755,000 S *	5/2016	Lovati	D7/306
D756,157 S *	5/2016	Murphy	D7/306
D756,696 S *	5/2016	Murphy	D7/306
D772,642 S *	11/2016	Lownds	D7/376
D779,257 S *	2/2017	Hale	D7/306
D779,258 S *	2/2017	Cahen	D7/306
D792,730 S *	7/2017	Ench	D7/306
D796,885 S *	9/2017	Wang	D7/306
D800,497 S *	10/2017	Fedorak	D7/397
D801,112 S *	10/2017	Struggl	D7/397
D804,913 S *	12/2017	Wang	D7/602
D812,952 S *	3/2018	Fedorak	D7/306

* cited by examiner

Fig. 2.1

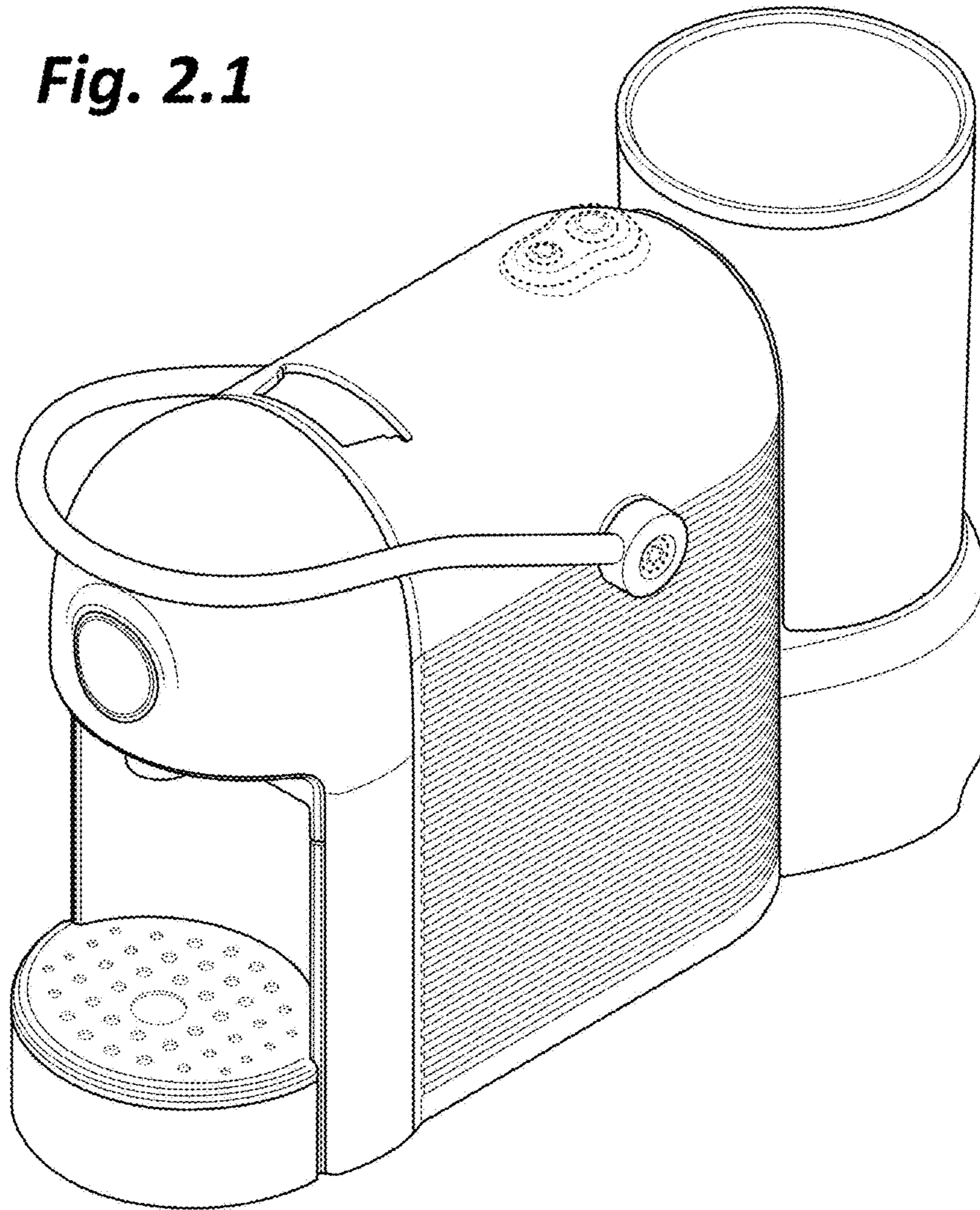


Fig. 2.2

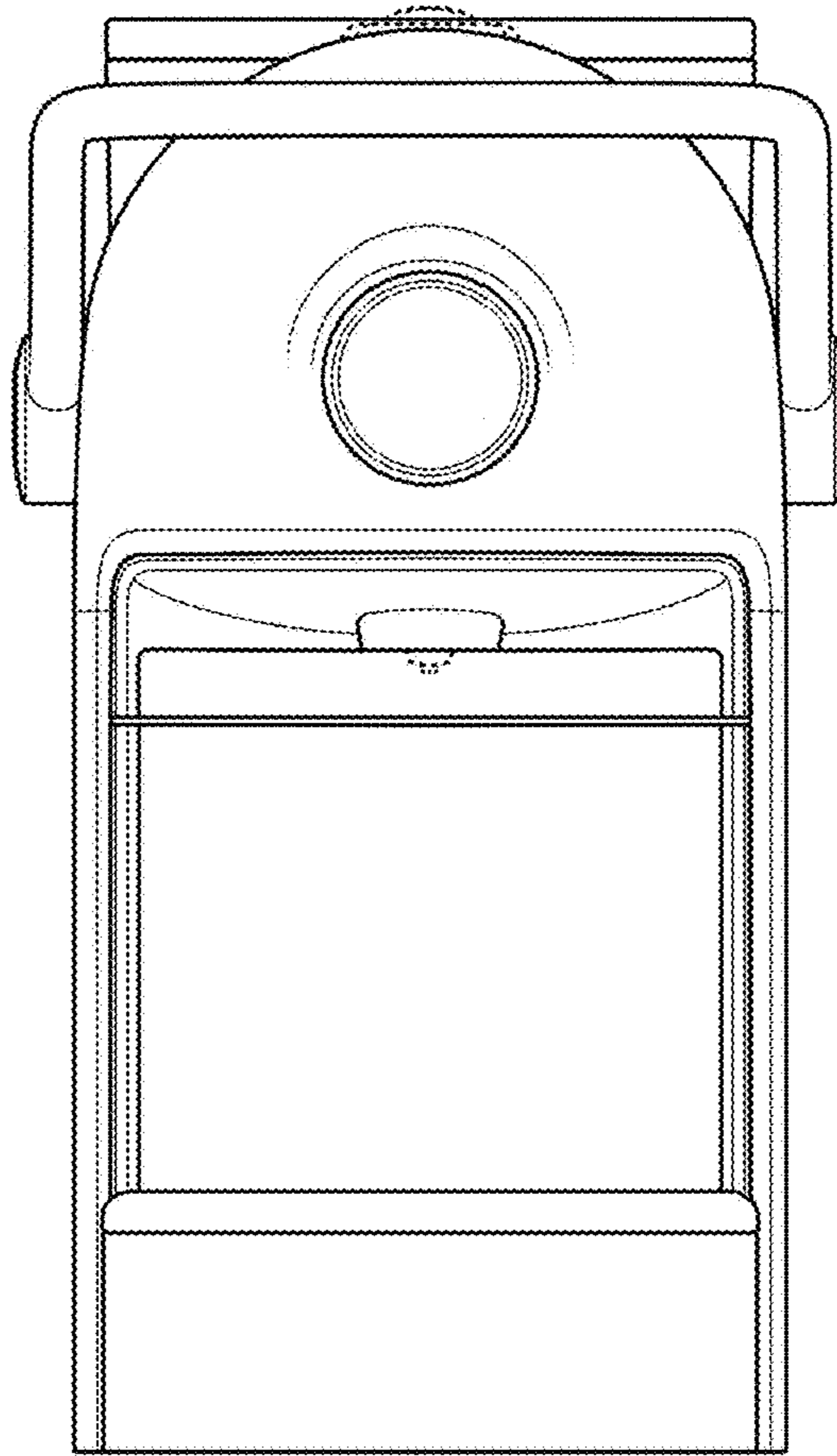
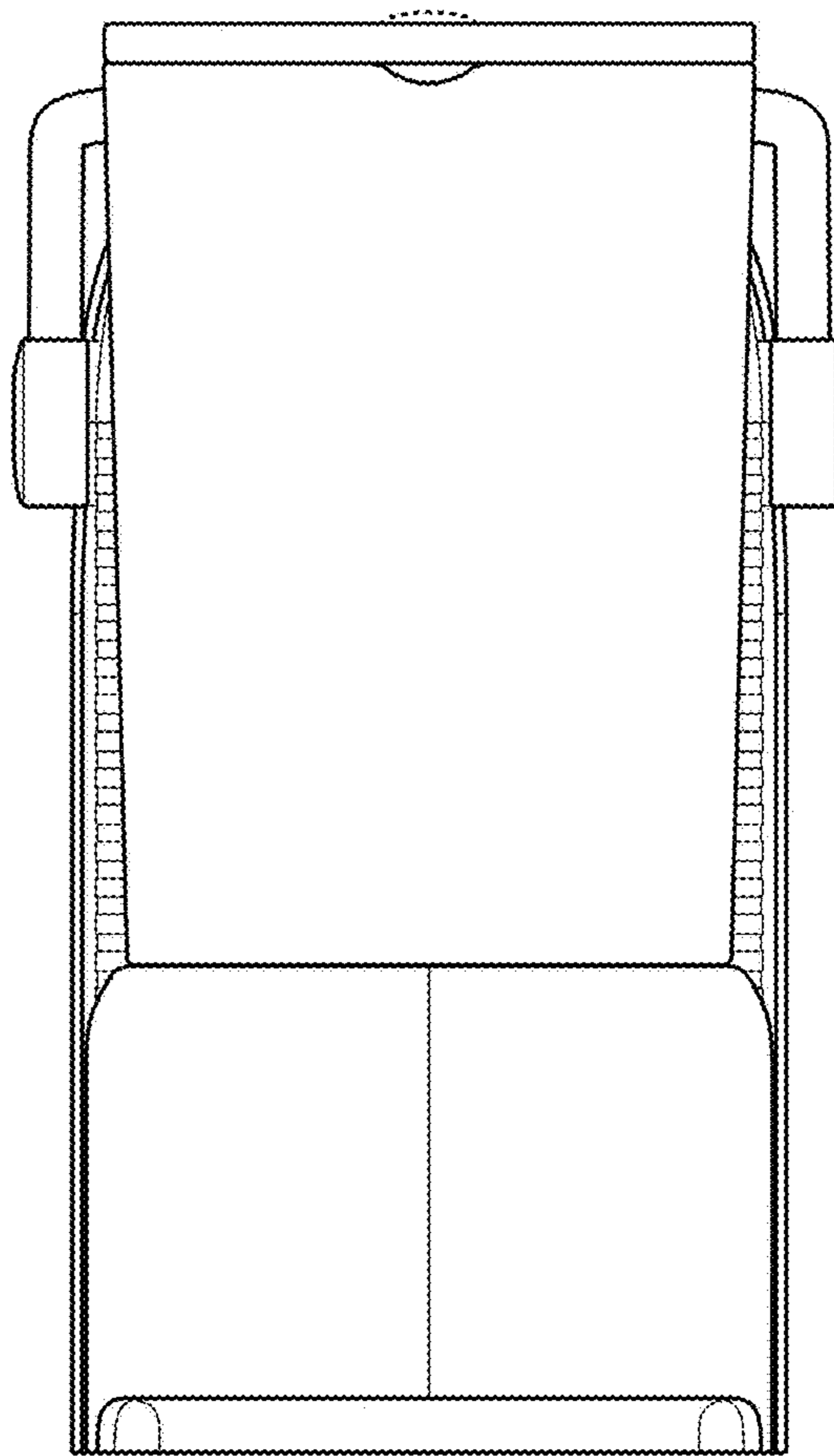


Fig. 2.3



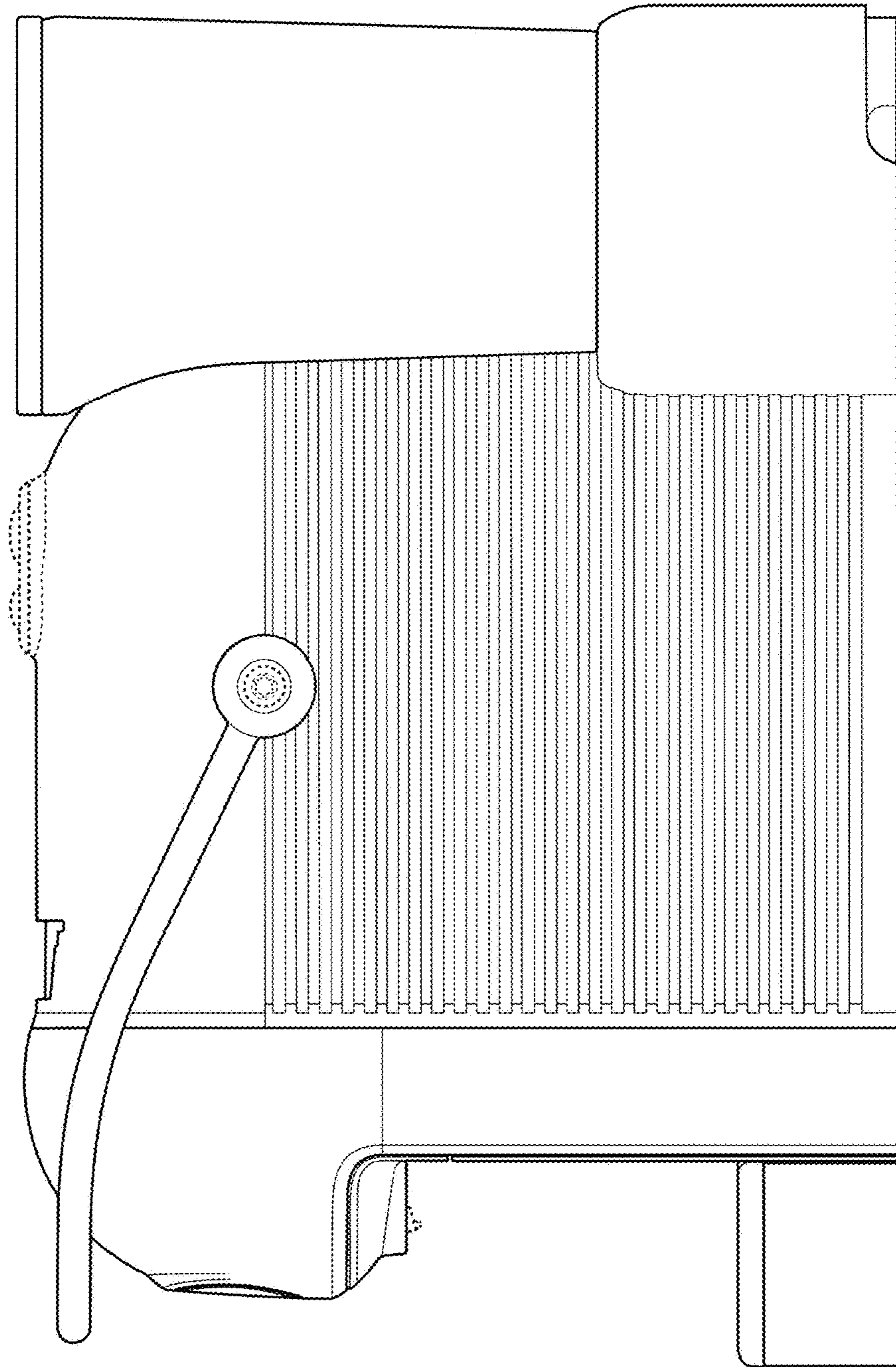


Fig. 2.4

Fig. 2.5

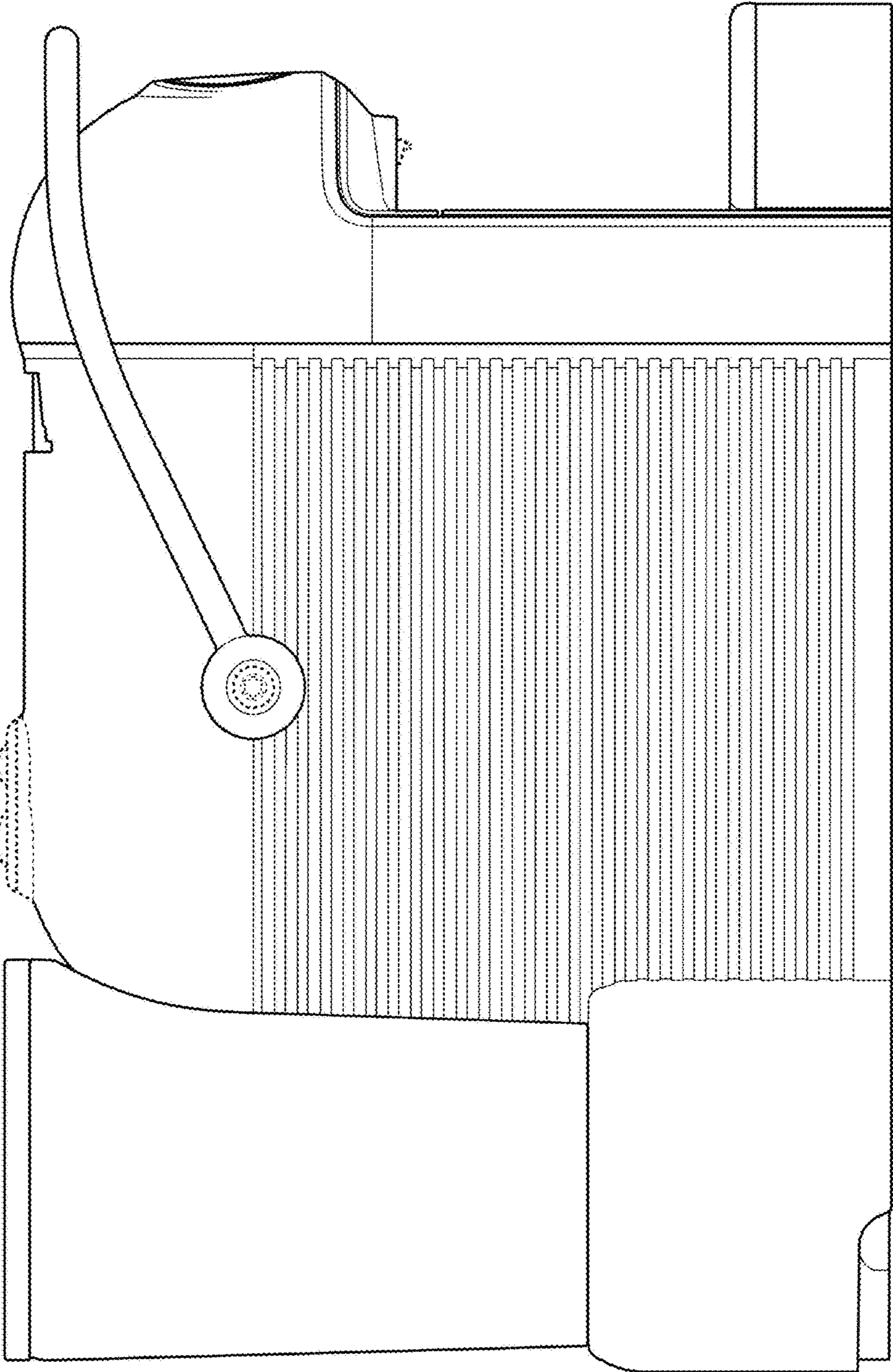


Fig. 2.6

