



US00D838531S

(12) **United States Design Patent**  
**Bodum**

(10) **Patent No.:** **US D838,531 S**

(45) **Date of Patent:** **\*\* Jan. 22, 2019**

(54) **COFFEE DRIPPER**

(71) Applicant: **PI-Design AG**, Triengen (CH)

(72) Inventor: **Jorgen Bodum**, Meggen (CH)

(73) Assignee: **PI-Design AG**, Triengen (CH)

(\*\*) Term: **15 Years**

(21) Appl. No.: **29/597,258**

(22) Filed: **Mar. 15, 2017**

(30) **Foreign Application Priority Data**

Sep. 21, 2016 (WO) ..... DM/092700

(51) **LOC (11) Cl.** ..... **07-01**

(52) **U.S. Cl.**

USPC ..... **D7/309; D7/311**

(58) **Field of Classification Search**

USPC ..... D7/306-311, 397, 399, 305, 373;  
99/295; D20/1, 4; D15/80

CPC ..... A47J 31/3614; A47J 31/4403; A47J 31/46

See application file for complete search history.

(56) **References Cited**

**U.S. PATENT DOCUMENTS**

D274,400 S \* 6/1984 Muller ..... D7/309

D343,758 S \* 2/1994 Beeren ..... D7/309

D498,110 S \* 11/2004 Picozza ..... D7/309

D639,598 S \* 6/2011 Eckholm ..... D7/309

D650,626 S \* 12/2011 Bodum ..... D7/309

D760,009 S \* 6/2016 Moammer ..... D7/309

\* cited by examiner

*Primary Examiner* — Marianne N Pandozzi

(74) *Attorney, Agent, or Firm* — McDonnell Boehnen  
Hulbert & Berghoff LLP

(57) **CLAIM**

The ornamental design for a coffee dripper, as shown and described.

**DESCRIPTION**

FIG. 1 is a perspective view of a coffee dripper showing my new design;

FIG. 2 is a front view thereof;

FIG. 3 is a rear view thereof;

FIG. 4 is a left side view thereof;

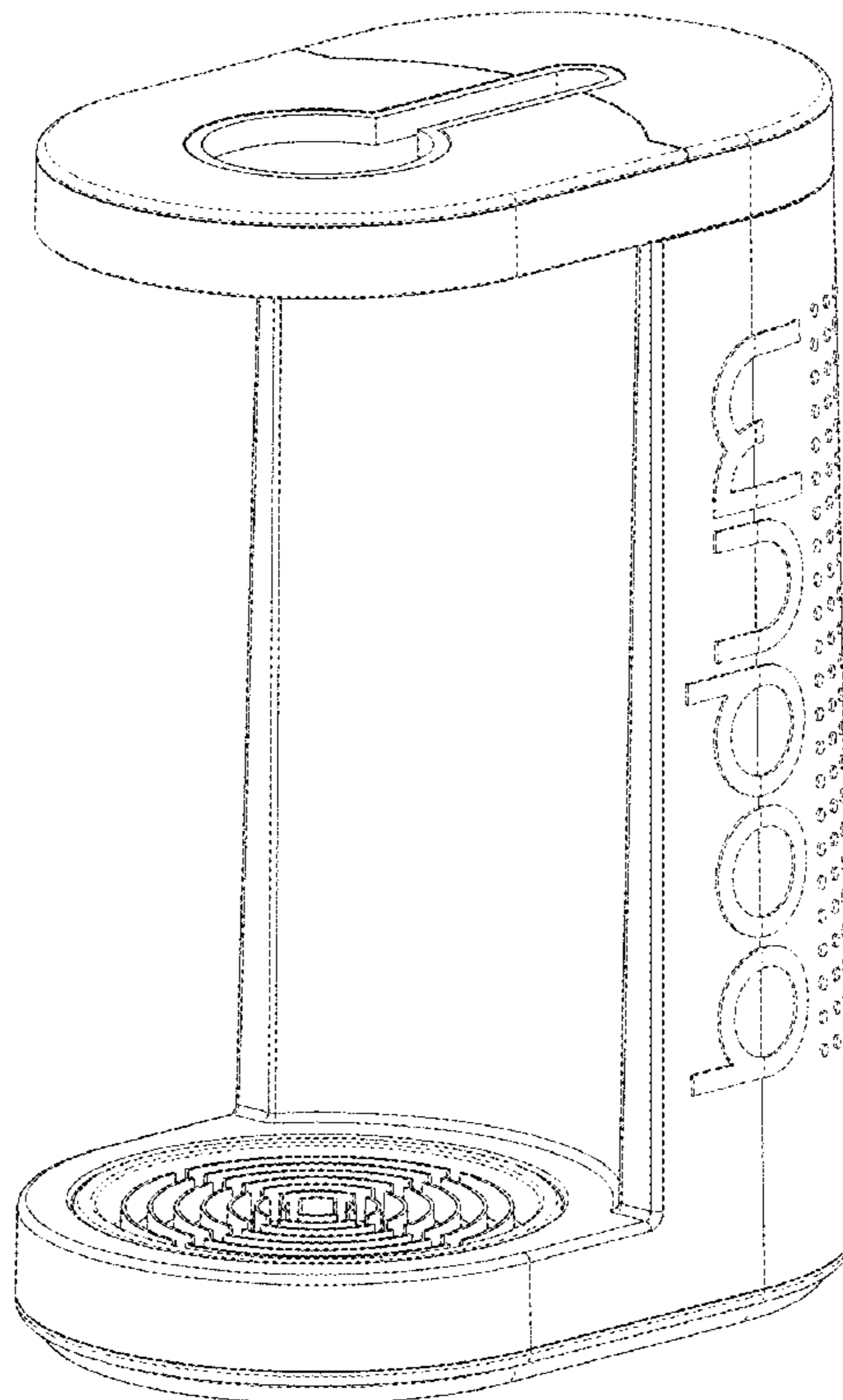
FIG. 5 is a right side view thereof;

FIG. 6 is a top view thereof; and,

FIG. 7 is a bottom view thereof.

The broken lines in the drawing depict portions of the coffee dripper that form no part of the claimed design.

**1 Claim, 7 Drawing Sheets**



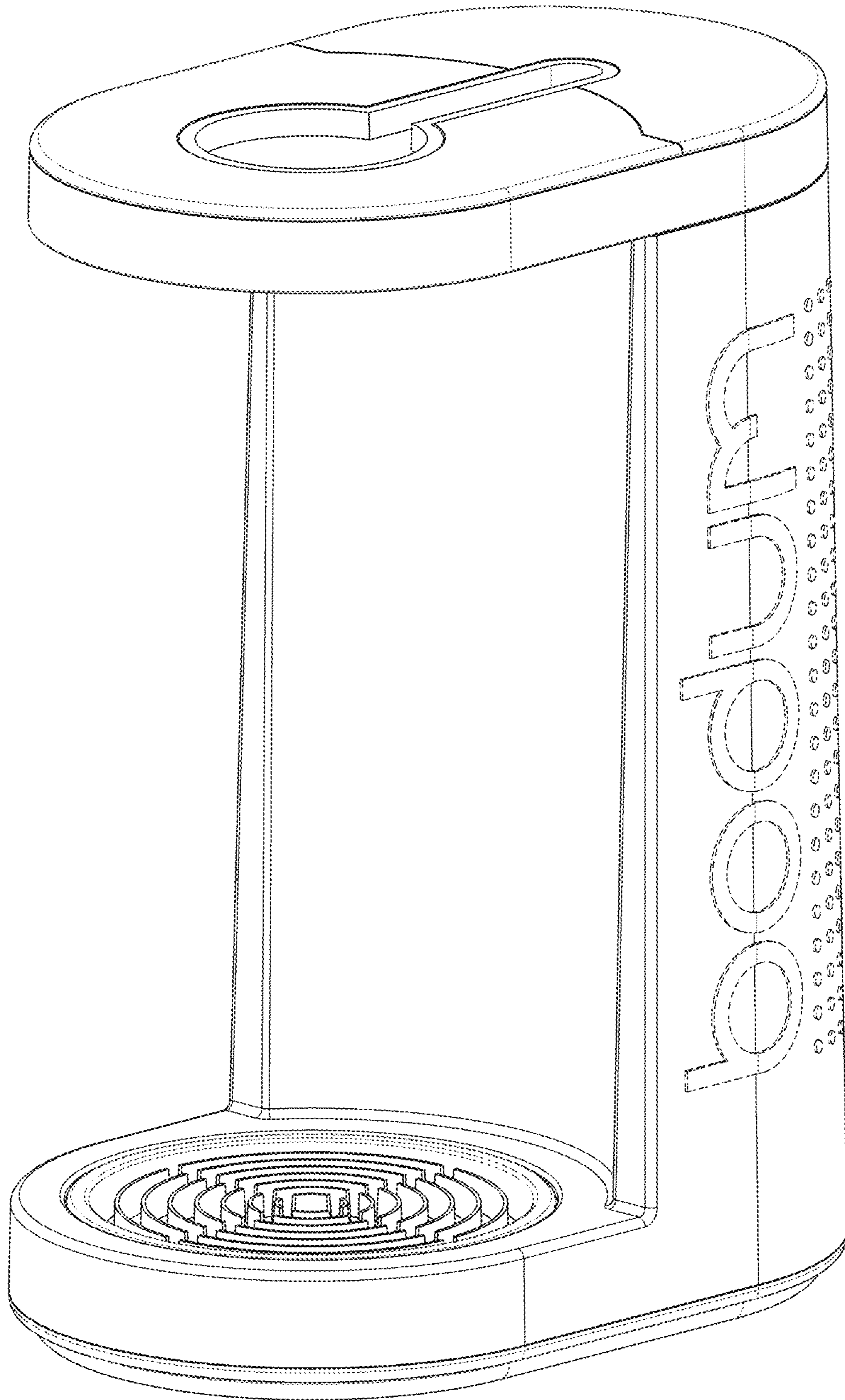


FIG. 1

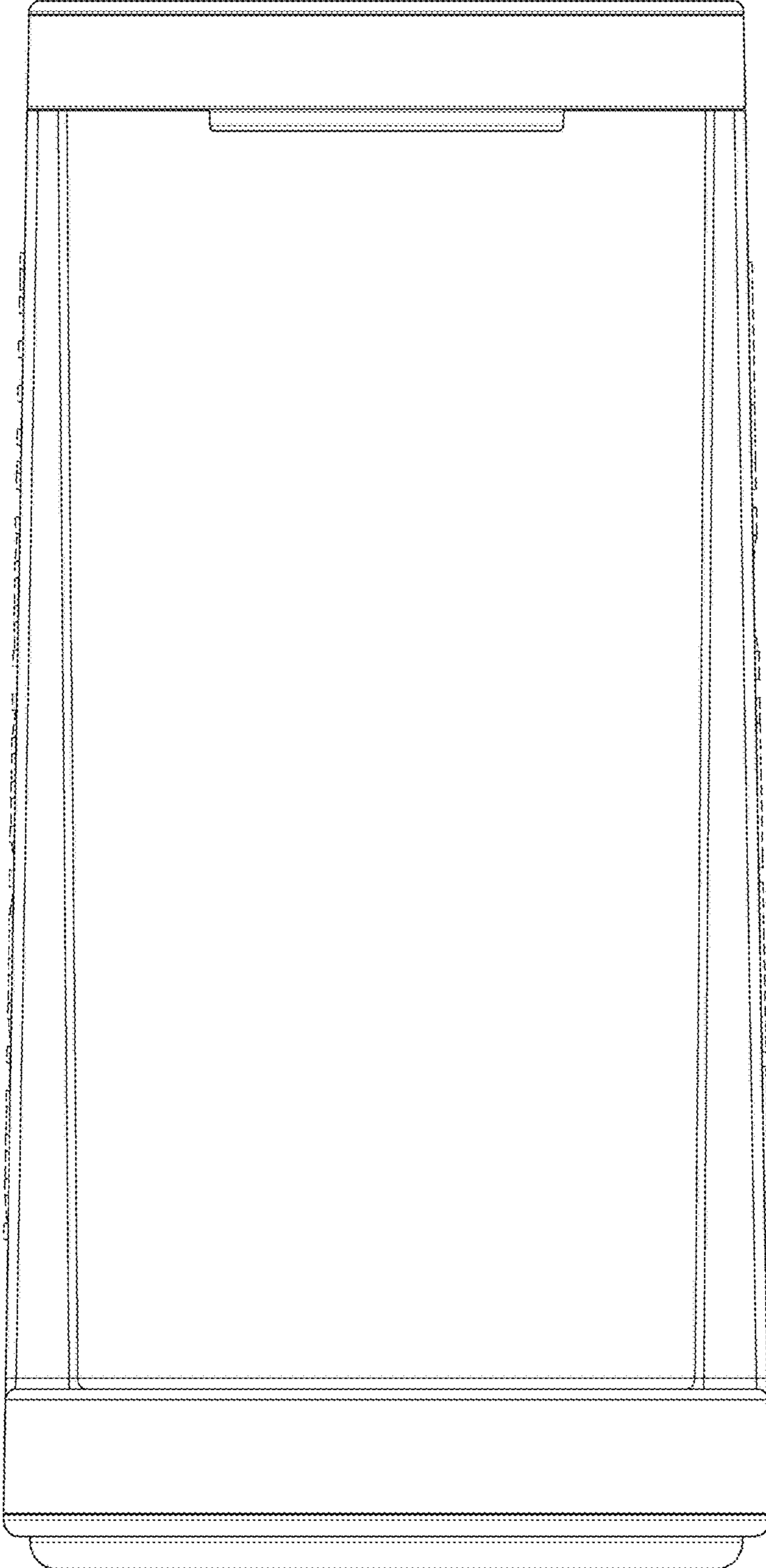


FIG. 2

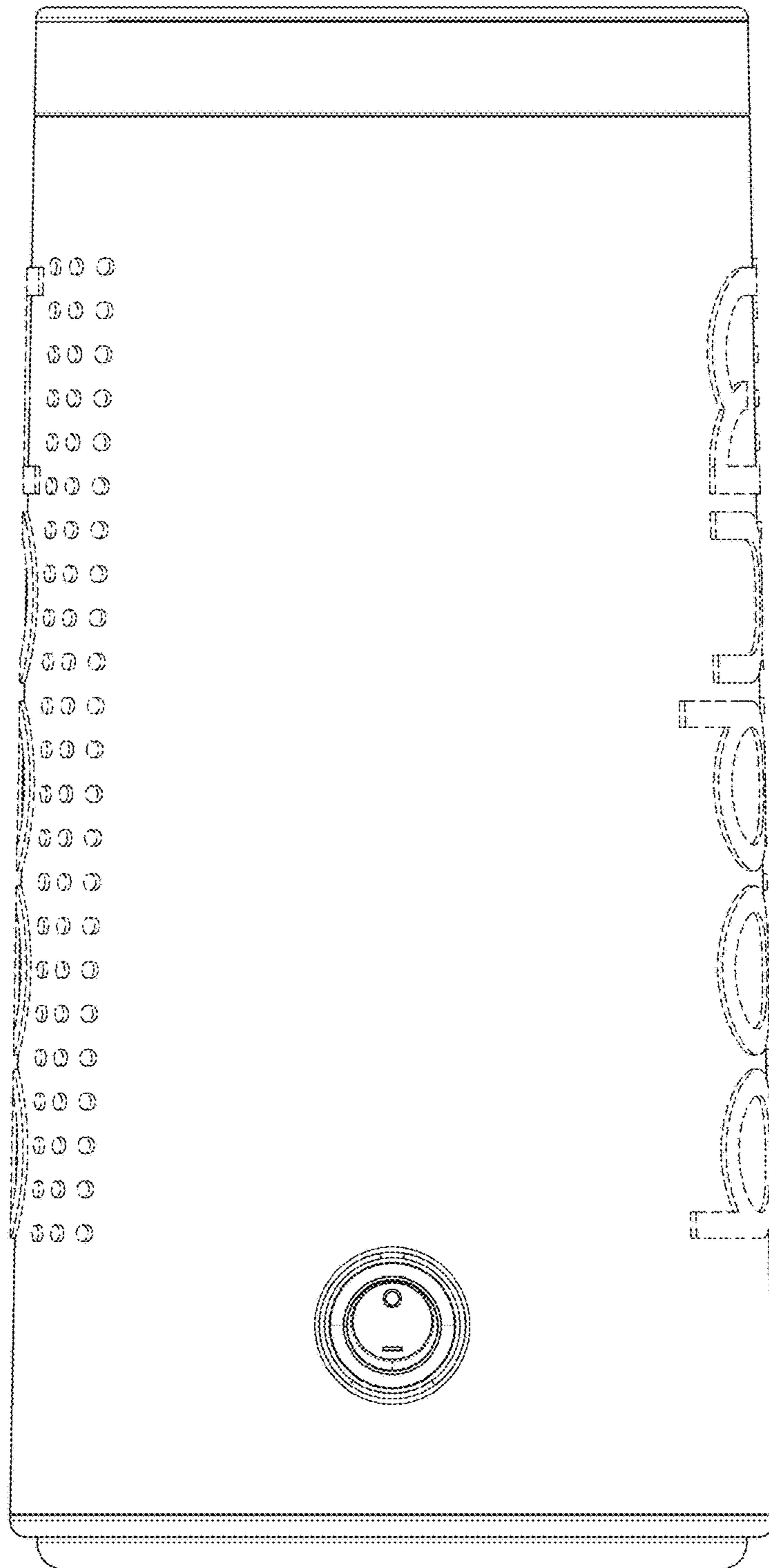


FIG. 3

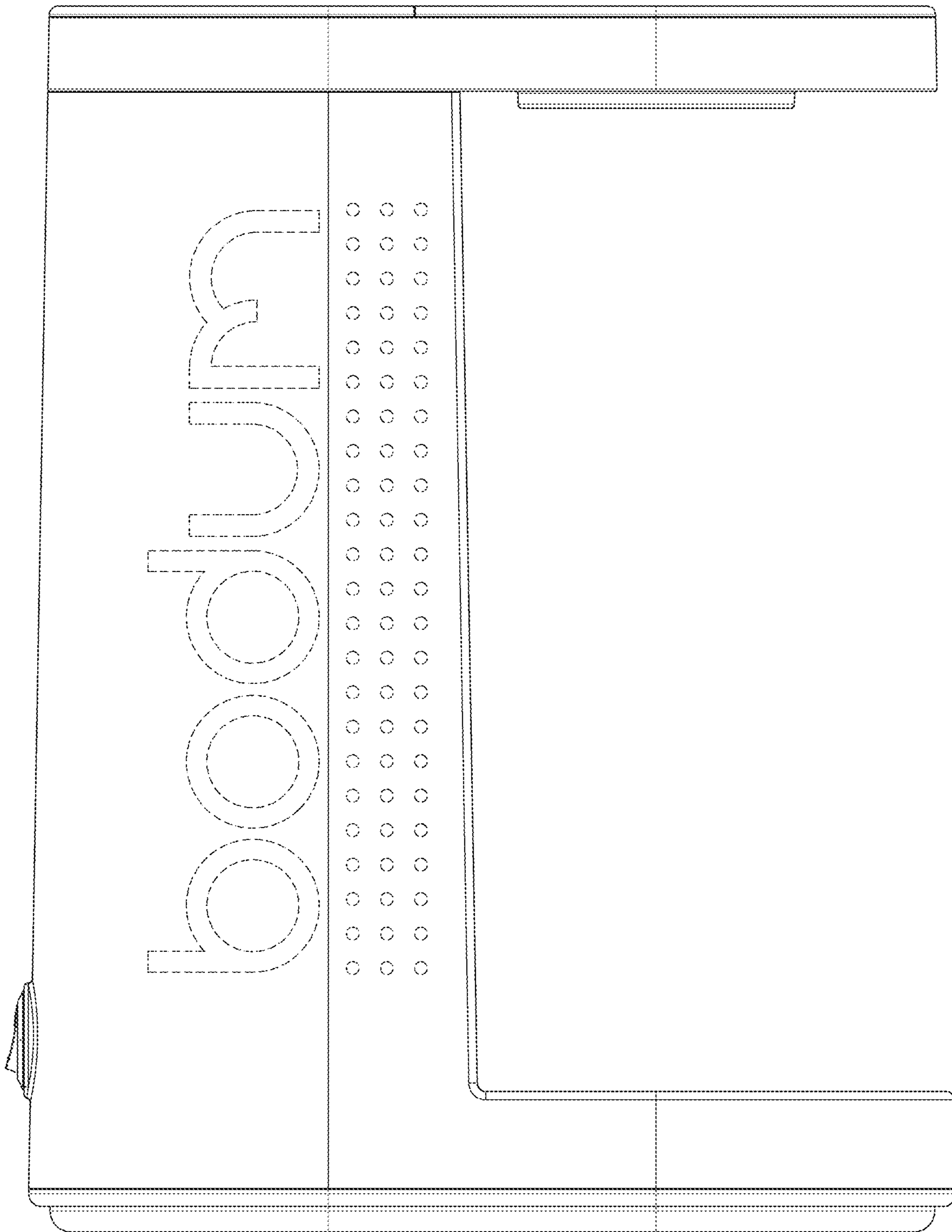


FIG. 4

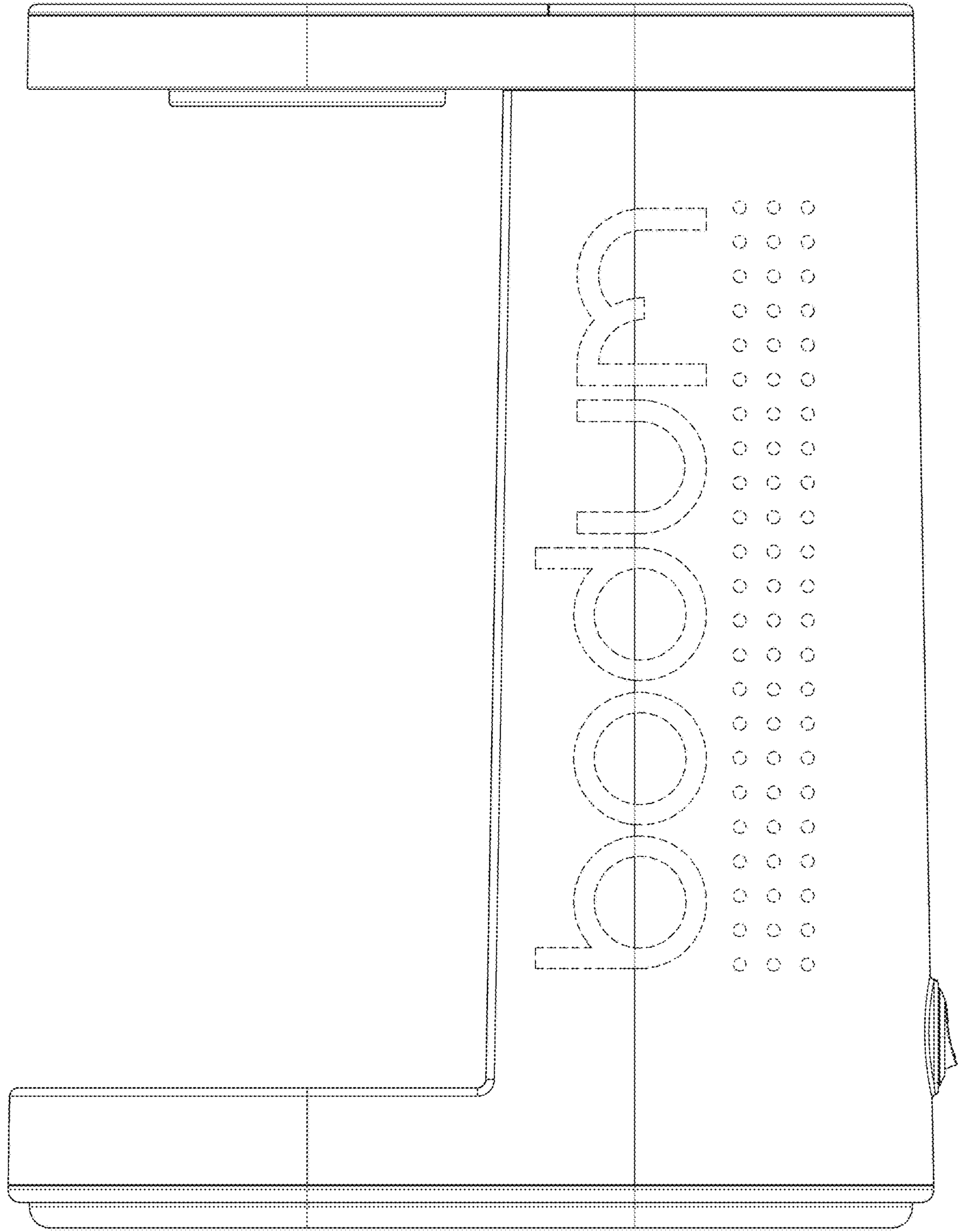


FIG. 5

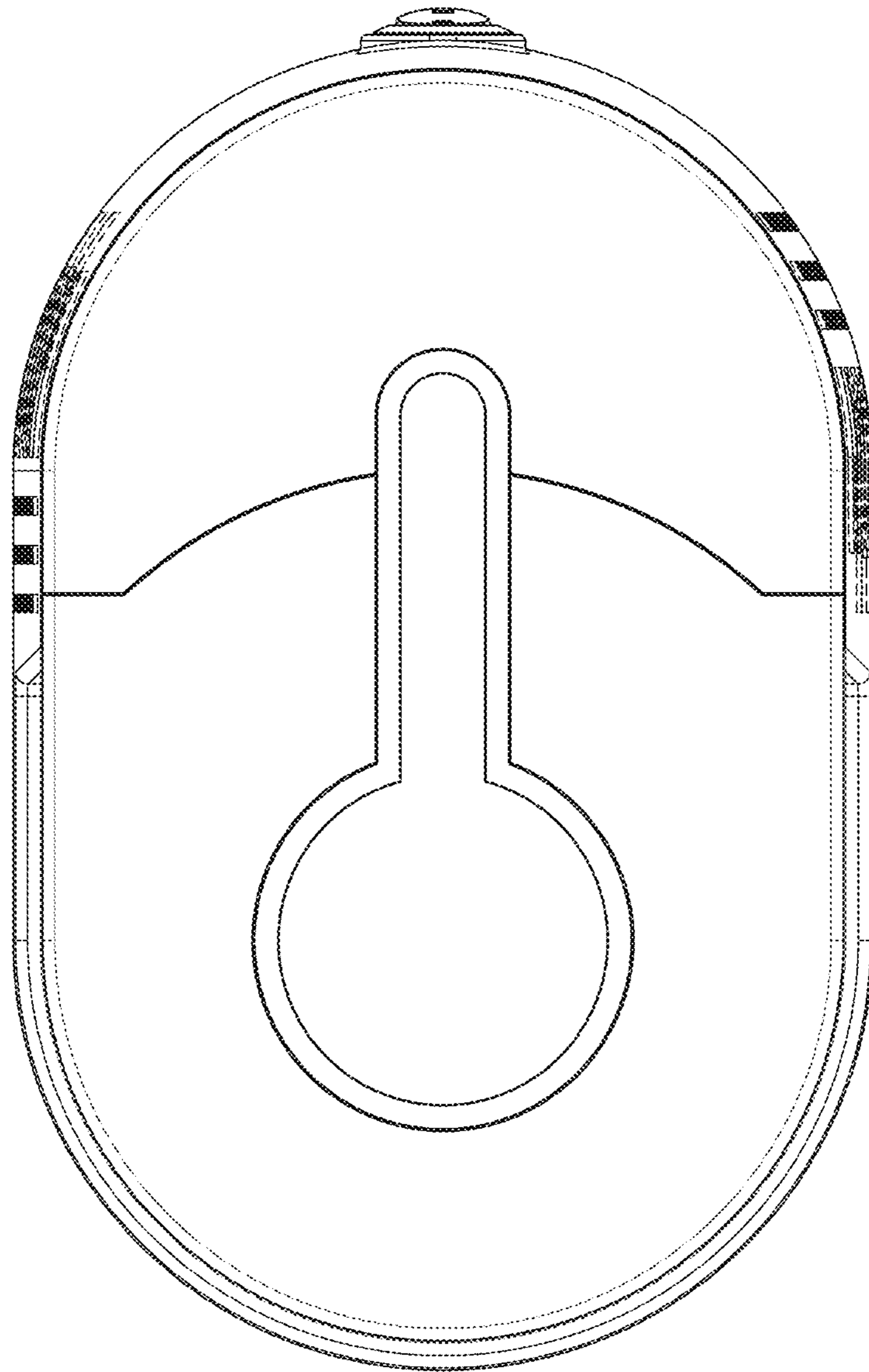


FIG. 6

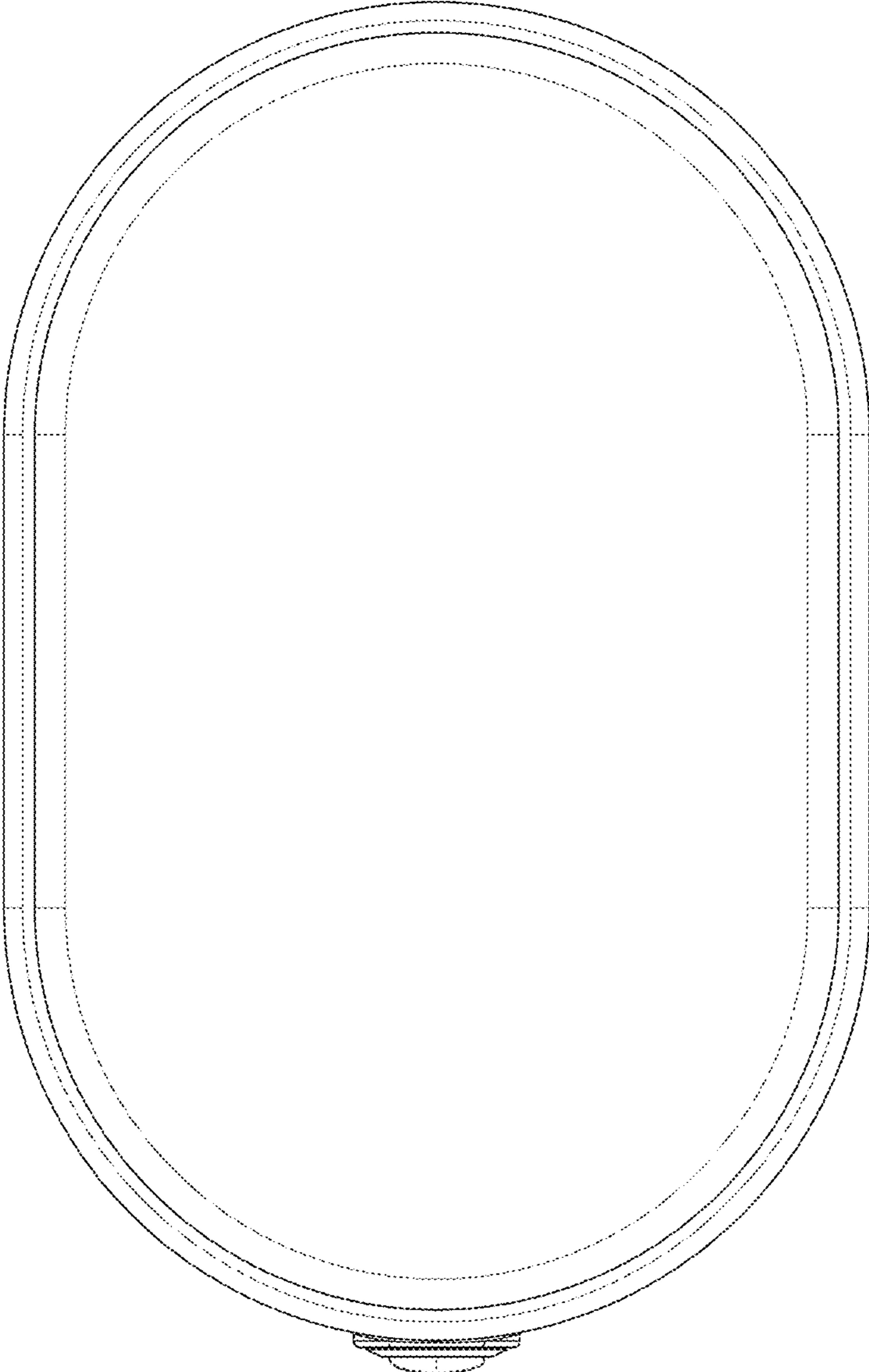


FIG. 7