



US00D838530S

(12) **United States Design Patent**
Gnadinger

(10) **Patent No.:** **US D838,530 S**
(45) **Date of Patent:** **** Jan. 22, 2019**

(54) **BEVERAGE DISPENSER**

(71) Applicant: **Grindmaster Corporation**, Louisville, KY (US)

(72) Inventor: **Errin Whitney Gnadinger**, Louisville, KY (US)

(73) Assignee: **Grindmaster Corporation**, Louisville, KY (US)

(**) Term: **15 Years**

(21) Appl. No.: **29/602,666**

(22) Filed: **May 2, 2017**

Related U.S. Application Data

(62) Division of application No. 29/541,865, filed on Oct. 8, 2015, now Pat. No. Des. 789,133.

(51) **LOC (11) Cl.** **07-01**

(52) **U.S. Cl.**
USPC **D7/307; D7/308**

(58) **Field of Classification Search**
USPC D7/305-311, 313, 397, 399; D15/82; 222/129.1, 146.6; 99/295; D20/1, 4
CPC A47J 31/44; A47J 31/4403; A47J 31/46; B67D 1/36; B67D 2210/0065; B67D 1/0864; B67D 1/06; A23C 9/122
See application file for complete search history.

(56) **References Cited**

U.S. PATENT DOCUMENTS

D206,519 S *	12/1966	Wolfe	D7/308
D215,045 S *	8/1969	Benjamin	D7/309
D233,271 S *	10/1974	Holcomb	D7/308
D261,390 S *	10/1981	Harvill	D7/307
D272,975 S *	3/1984	Miller	D7/309
4,658,892 A *	4/1987	Shinohara	F28F 13/187
				165/133

D298,505 S *	11/1988	Frech	D7/308
D312,021 S *	11/1990	Mohat	D7/308
D335,062 S *	4/1993	Kolada	D15/80

(Continued)

OTHER PUBLICATIONS

Cecilware Corporation, "Cappuccino & Hot Chocolate Dispensers," Full Line Catalog, Dec. 2007.
(Continued)

Primary Examiner — Marianne N Pandozzi
(74) *Attorney, Agent, or Firm* — Stites & Harbison, PLLC; David W. Nagle, Jr.; James R. Hayne

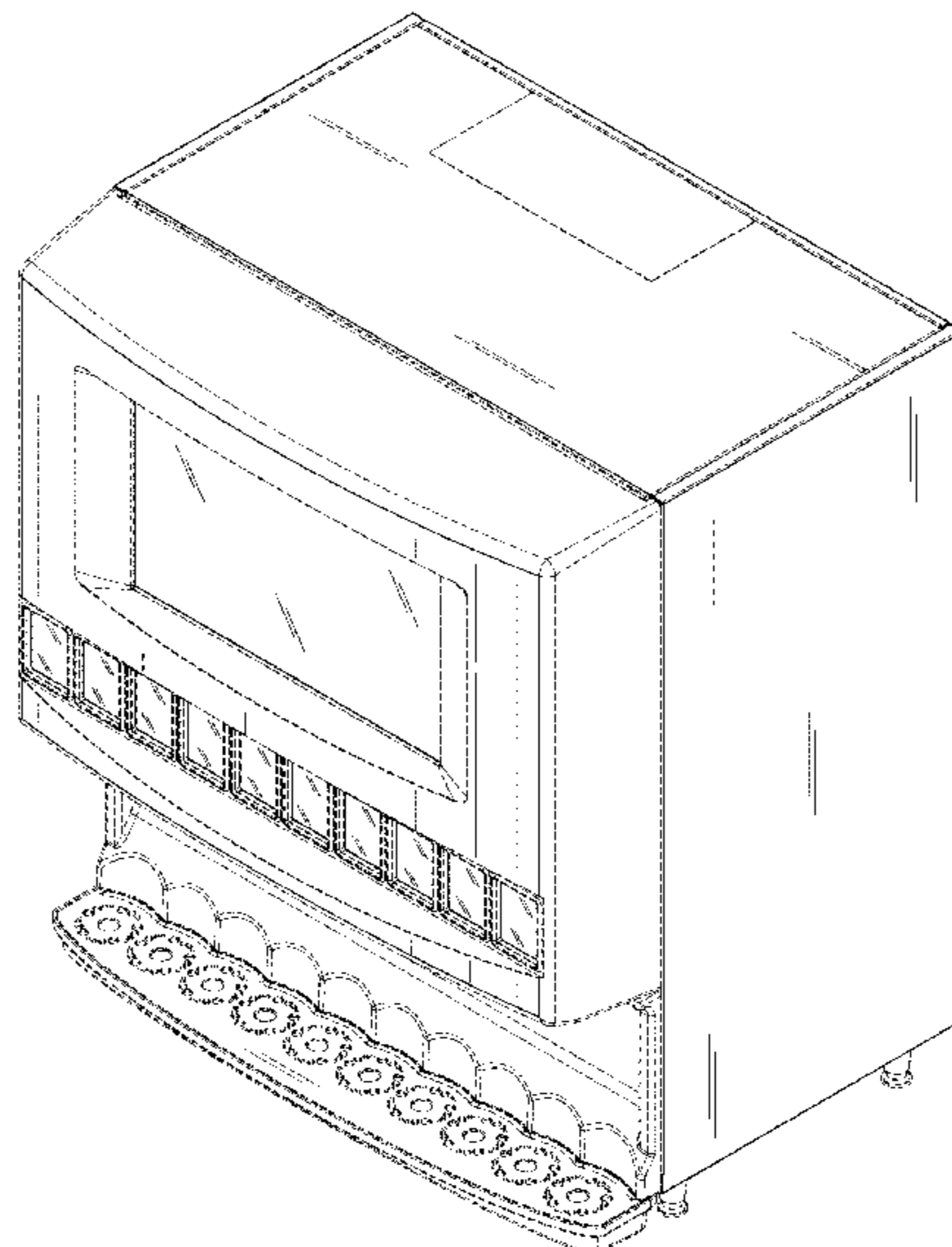
(57) **CLAIM**

The ornamental design for a beverage dispenser, as shown and described.

DESCRIPTION

FIG. 1 is a top perspective view of a beverage dispenser incorporating the design of the present invention; FIG. 2 is a bottom perspective view of the beverage dispenser of FIG. 1; FIG. 3 is a front view of the beverage dispenser of FIG. 1; FIG. 4 is a left side view of the beverage dispenser of FIG. 1; FIG. 5 is a right side view of the beverage dispenser of FIG. 1; and, FIG. 6 is a top view of the beverage dispenser of FIG. 1. The rear surface of the beverage dispenser in FIG. 1 is flat (with the exception of ports shown protruding out of the beverage dispenser in the left side, right side, and top views and which are not part of the claimed design) and unornamented. Furthermore, the rear surface of the beverage dispenser in FIG. 1 is not visible during normal use. The broken lines in the drawings depict portions of the beverage dispenser that form no part of the claimed design.

1 Claim, 6 Drawing Sheets



(56)

References Cited

U.S. PATENT DOCUMENTS

D346,088	S	*	4/1994	Schroeder	D7/306
D367,585	S		3/1996	Piatnik		
D368,617	S	*	4/1996	Jackson	D7/306
D390,059	S	*	2/1998	Saito	D7/307
D404,242	S	*	1/1999	Schroeder	D7/307
D453,088	S	*	1/2002	Bell	D7/307
D486,687	S	*	2/2004	Strandell	D7/307
D510,675	S	*	10/2005	Ball	D7/306
D553,416	S	*	10/2007	Lin	D7/306
D699,066	S	*	2/2014	Arora	D7/307
D699,501	S	*	2/2014	Arora	D7/307
D709,723	S	*	7/2014	Norris	D7/307
D711,179	S	*	8/2014	Norris	D7/307
D772,003	S	*	11/2016	Broen	D7/307
D776,970	S	*	1/2017	Broen	D7/307
D789,133	S	*	6/2017	Gnadinger	D7/307
D799,880	S	*	10/2017	Broen	D7/307

OTHER PUBLICATIONS

Grindmaster Corporation, "Hot Powder Specialty Beverage Dispensers," Product Catalog, 2004.

* cited by examiner

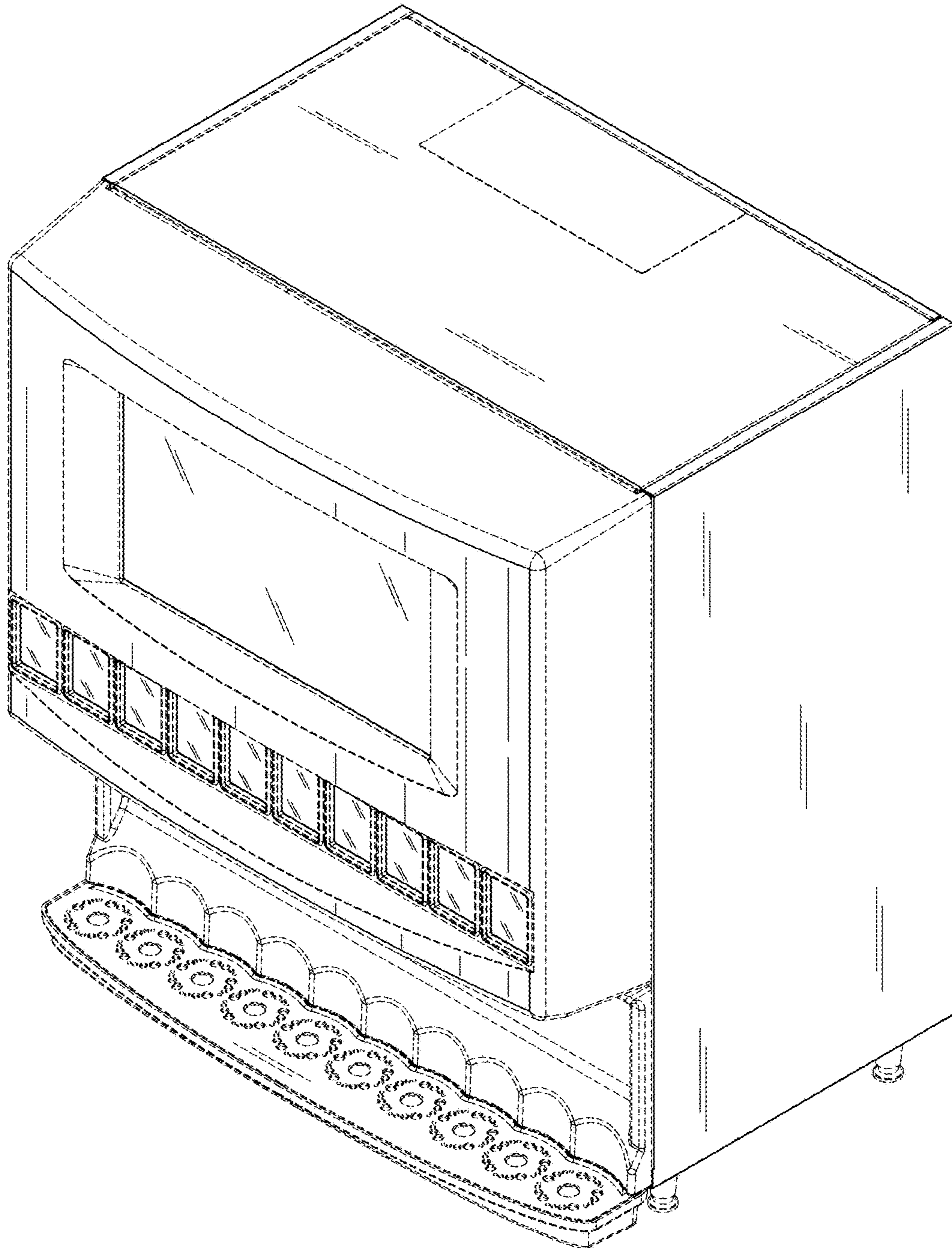


FIG. 1

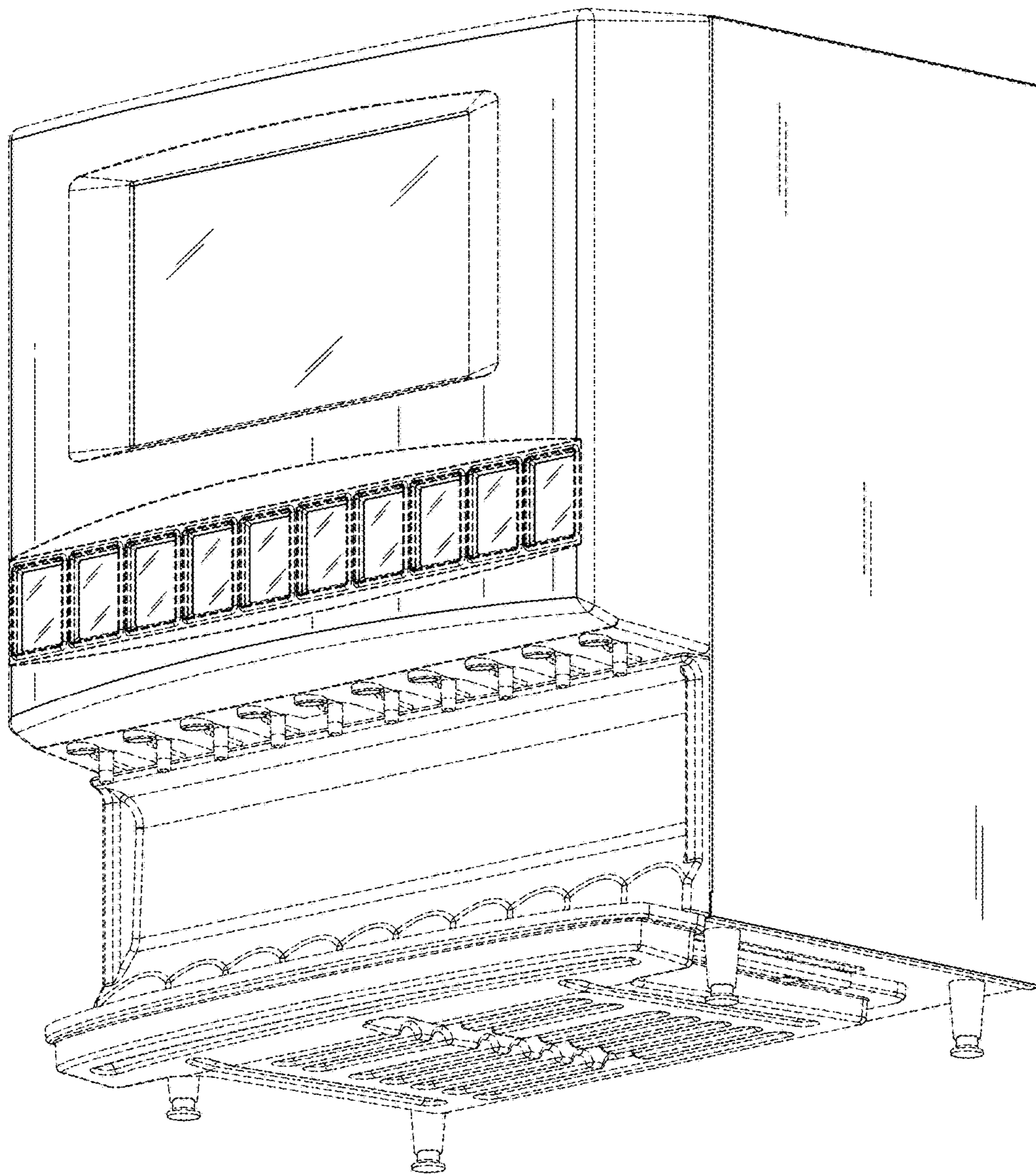


FIG. 2

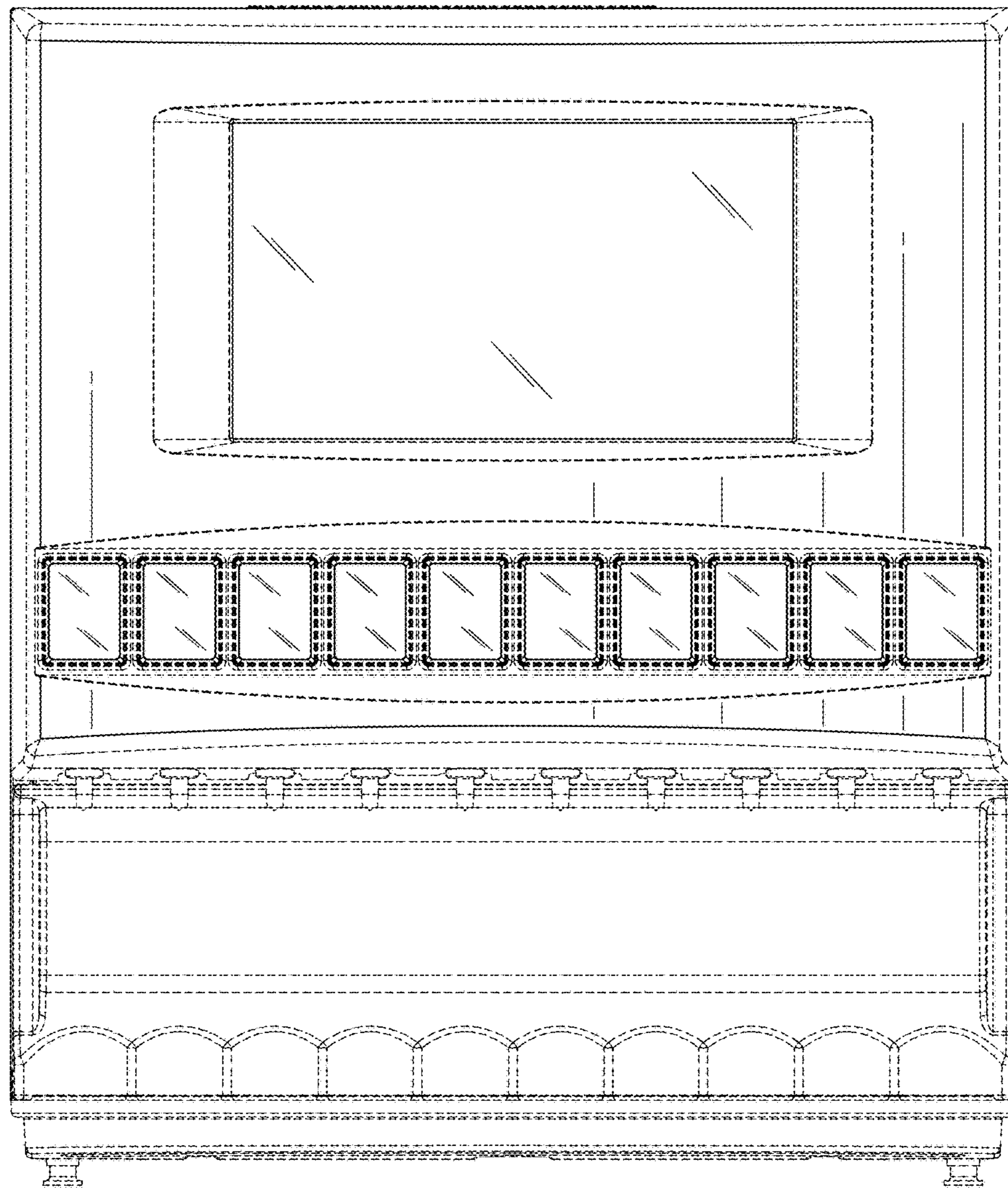


FIG. 3

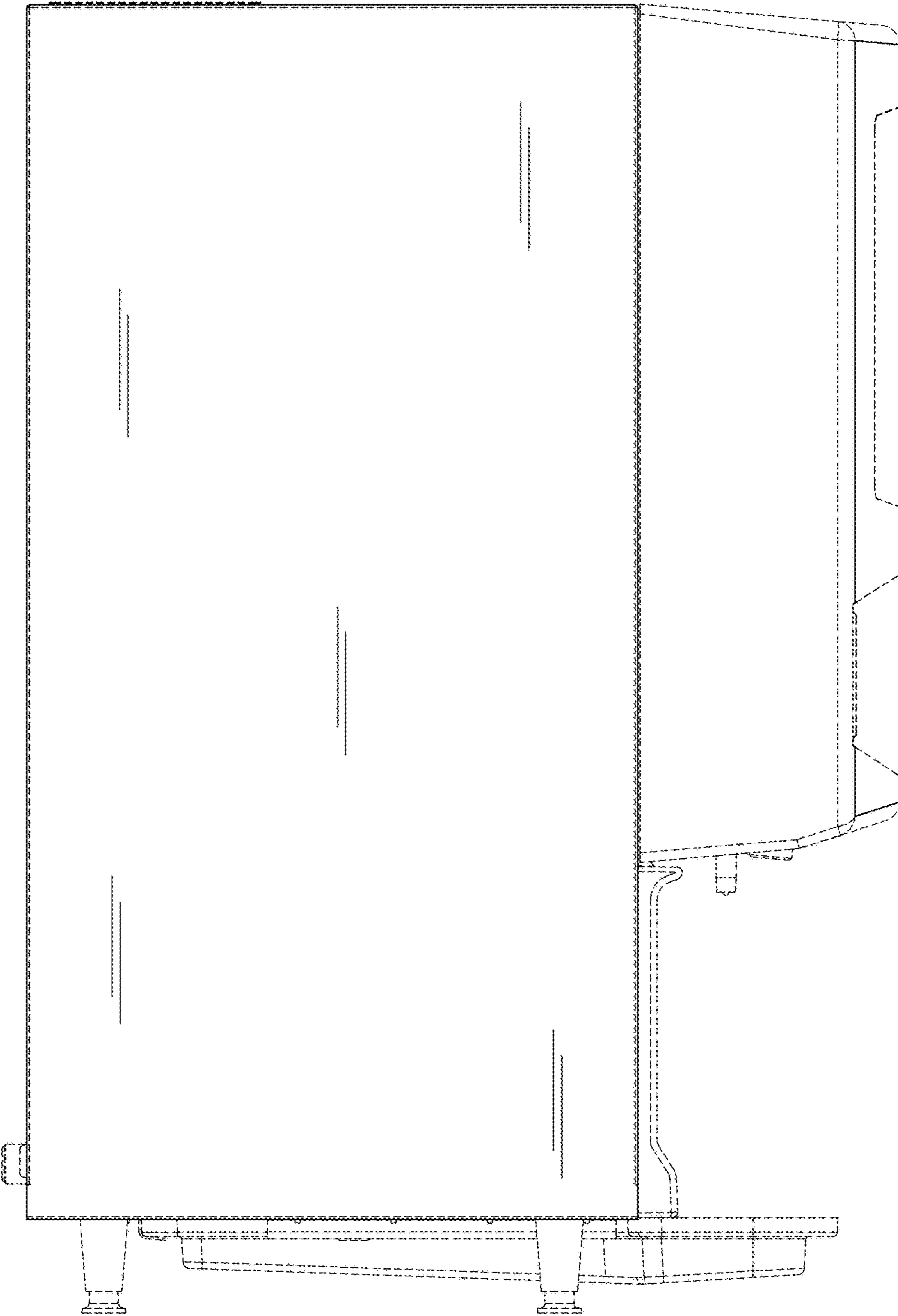


FIG. 4

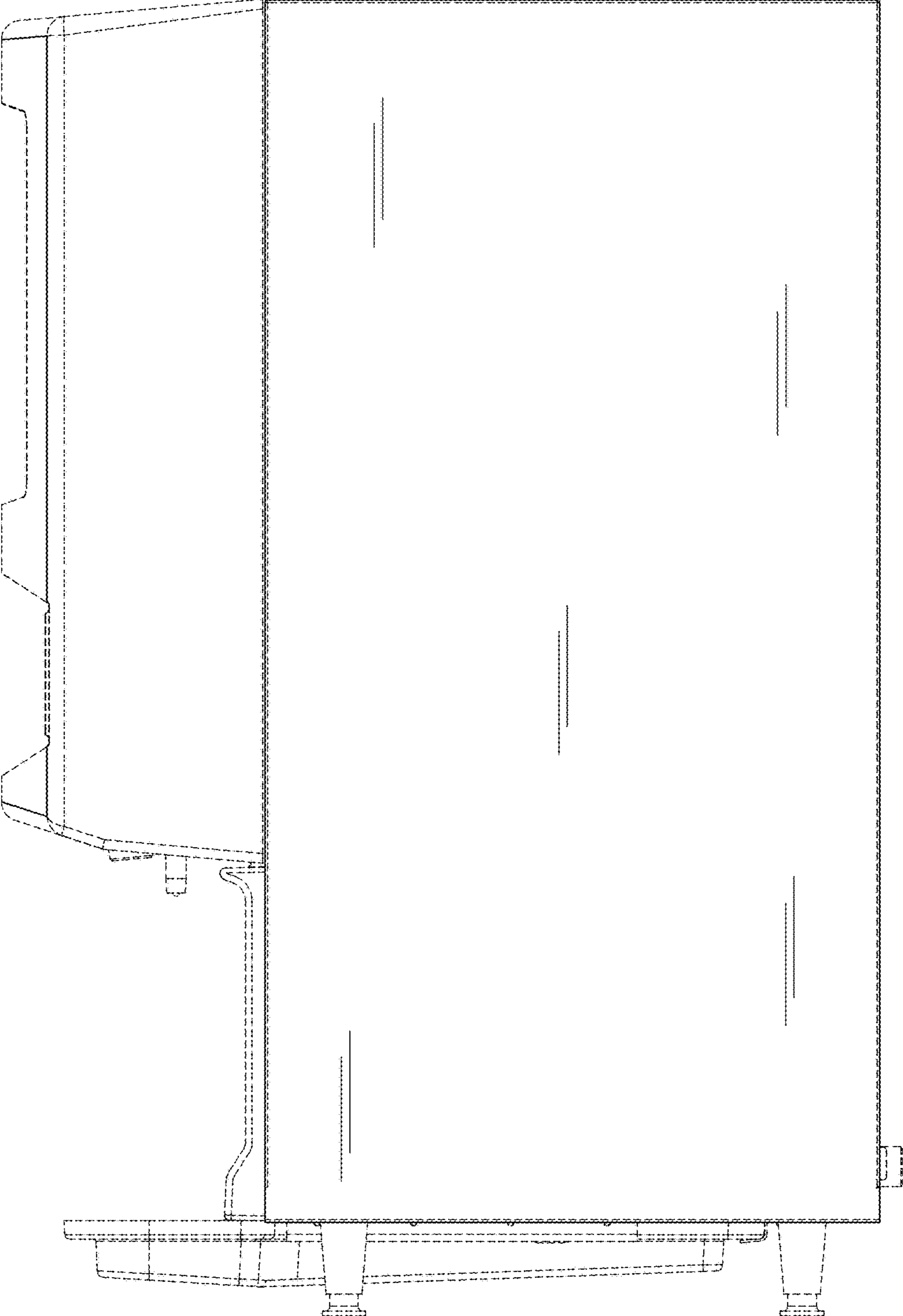


FIG. 5

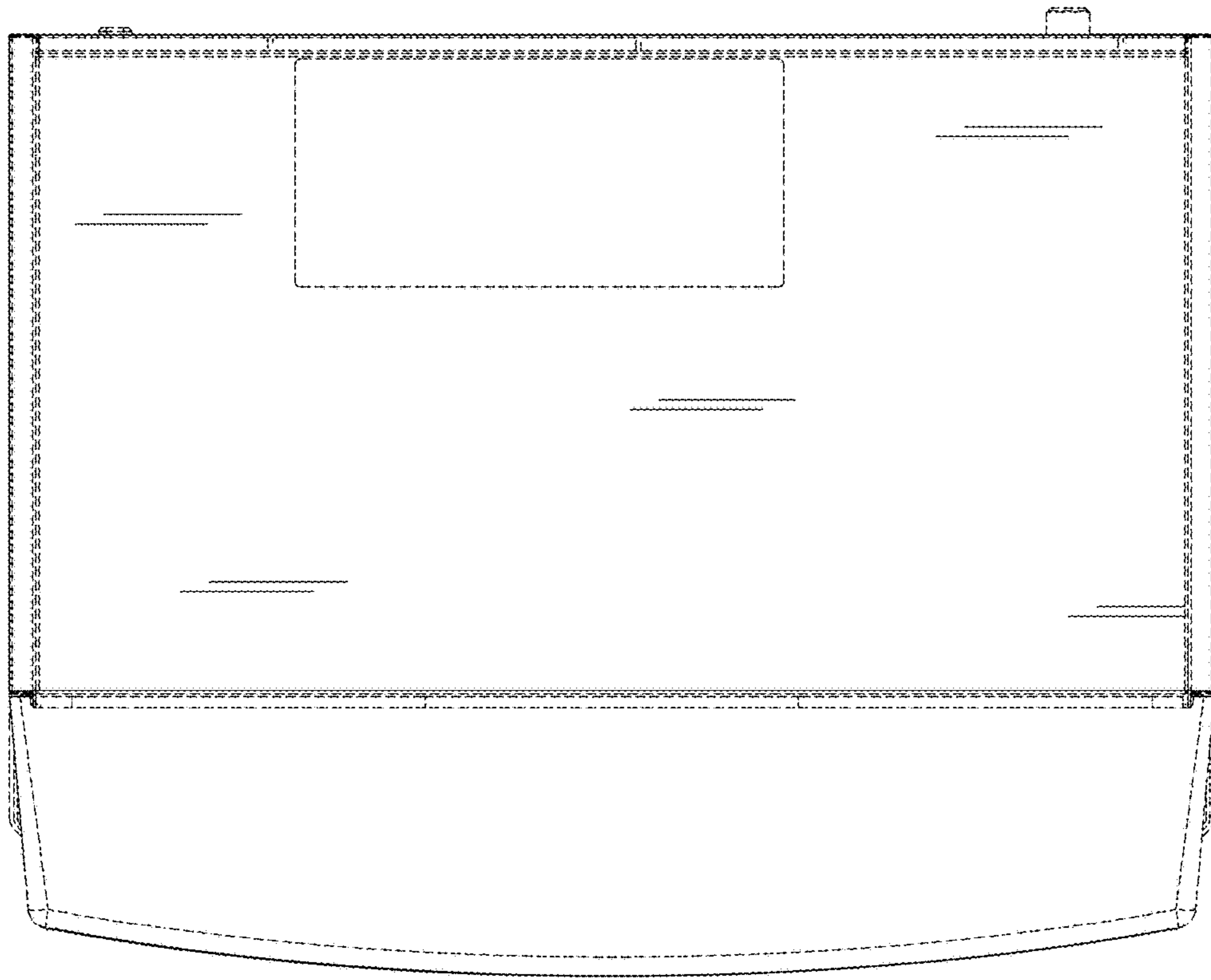


FIG. 6