



US00D838527S

(12) **United States Design Patent** (10) **Patent No.:** **US D838,527 S**
Liu (45) **Date of Patent:** **** Jan. 22, 2019**

(54) **TOOL CABINET**

(71) Applicant: **Chia-Ming Liu**, Douliou (TW)

(72) Inventor: **Chia-Ming Liu**, Douliou (TW)

(**) Term: **15 Years**

(21) Appl. No.: **29/569,261**

(22) Filed: **Jun. 24, 2016**

(51) **LOC (11) Cl.** **06-04**

(52) **U.S. Cl.**
USPC **D6/705.5**

(58) **Field of Classification Search**
USPC D3/279, 283-284, 286, 297, 318-319,
D3/905; D6/662, 663, 664.1, 668, 668.1,
D6/668.2, 669, 671, 671.1, 671.2, 671.3,
D6/671.4, 705, 705.5; D7/624.1;
D23/213, 261, 371, 386, 412; D32/57;
D34/19, 20, 21
CPC A47B 49/00; A47B 49/002; A47B 67/00;
A47B 67/04; A47B 87/02; A47B 88/04;
A47B 88/0411; A47B 88/20; A47B
2210/00; A47B 2210/004; A47B
2210/0078; A47B 2210/0008; A47F 3/00;
A47J 47/20; B62B 3/00; B25H 3/00;
B25H 3/003; B25H 3/006; B25H 3/02;
B25H 3/021; E01C 5/20; F04D 25/0613;
F21V 33/004

See application file for complete search history.

(56) **References Cited**

U.S. PATENT DOCUMENTS

2,284,494 A * 5/1942 Oakley A47J 47/20
4/657
D418,375 S * 1/2000 Goodman D7/624.1
D517,759 S * 3/2006 Dretzka D32/57
D623,721 S * 9/2010 Reynoso D23/213
D687,524 S * 8/2013 Heiser D23/261
8,920,066 B1 * 12/2014 Meyers E01C 5/20
404/18

D752,202 S * 3/2016 Berkman D23/412
D776,801 S * 1/2017 Tamura D23/330
D808,001 S * 1/2018 Berkman D23/371
2014/0099195 A1 * 4/2014 Jun F04D 25/0613
415/182.1
2014/0268650 A1 * 9/2014 Tsai F21V 33/004
362/96

* cited by examiner

Primary Examiner — Ricky Pham

(74) *Attorney, Agent, or Firm* — Hamre, Schumann,
Mueller & Larson, P.C.

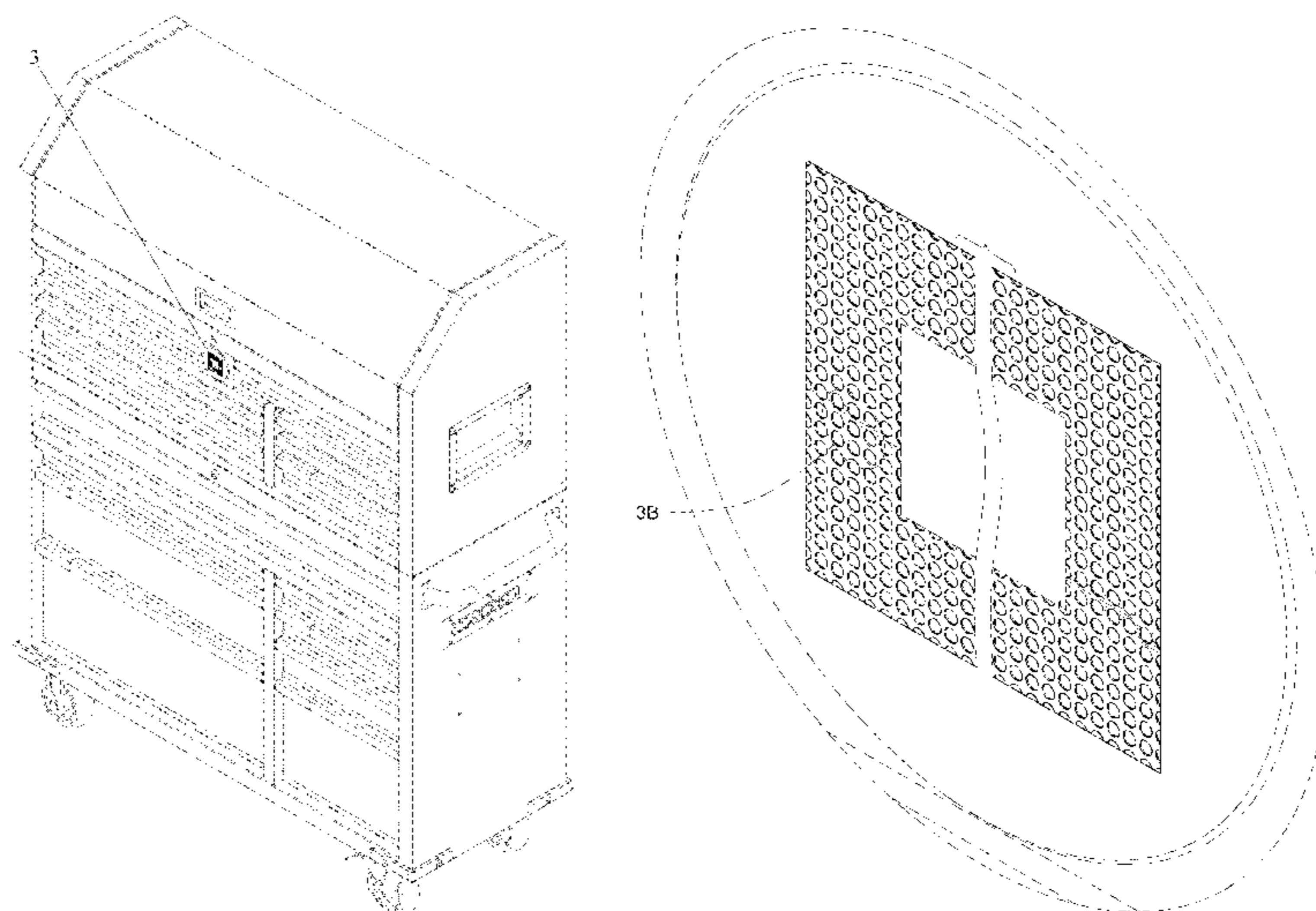
(57) **CLAIM**

The ornamental design for a tool cabinet, as shown and described.

DESCRIPTION

FIG. 1 is a perspective view of a tool cabinet showing my new design;
FIG. 2 is a front elevational view thereof;
FIG. 3A is an enlarged perspective view of a circled portion 3 of FIG. 1;
FIG. 3B is an enlarged view of a portion of the view in FIG. 3A; and,
FIG. 4 is an enlarged front elevational view of a circled portion 4 of FIG. 2.
A rear view, a left side view, and a bottom view of the tool cabinet do not contain claimed features and are disclaimed. The broken lines are for illustrating portions of the article which form no part of the claimed design. Dashed-dotted lines are for indicating surfaces which do not form part of the claimed design. Brackets are provided to indicate a corresponding line break and that a precise width is not being claimed.
The broken away symbols in the drawings indicate the appearance of any portion of the article between the break lines forms no part of the claimed design.

1 Claim, 5 Drawing Sheets



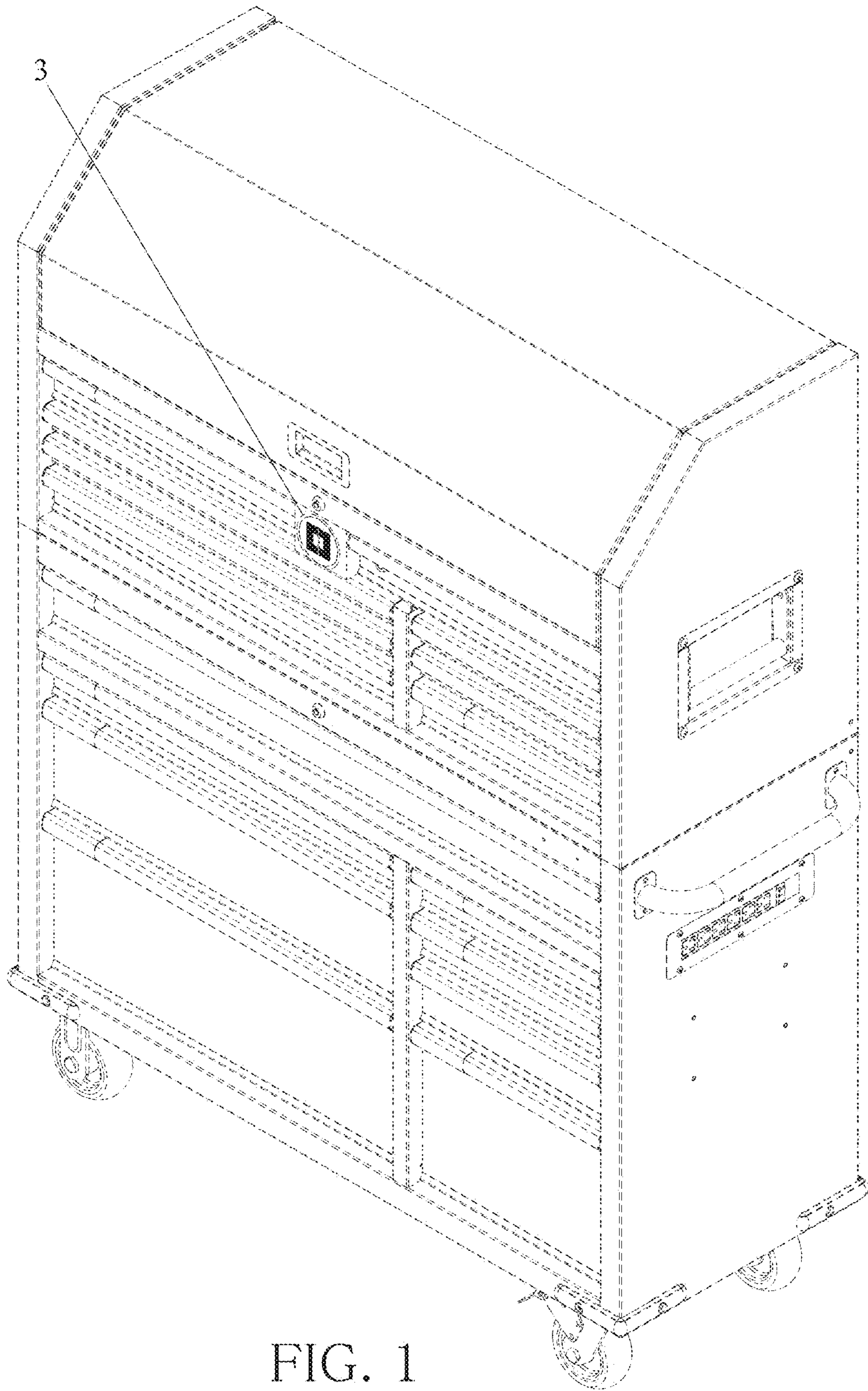


FIG. 1

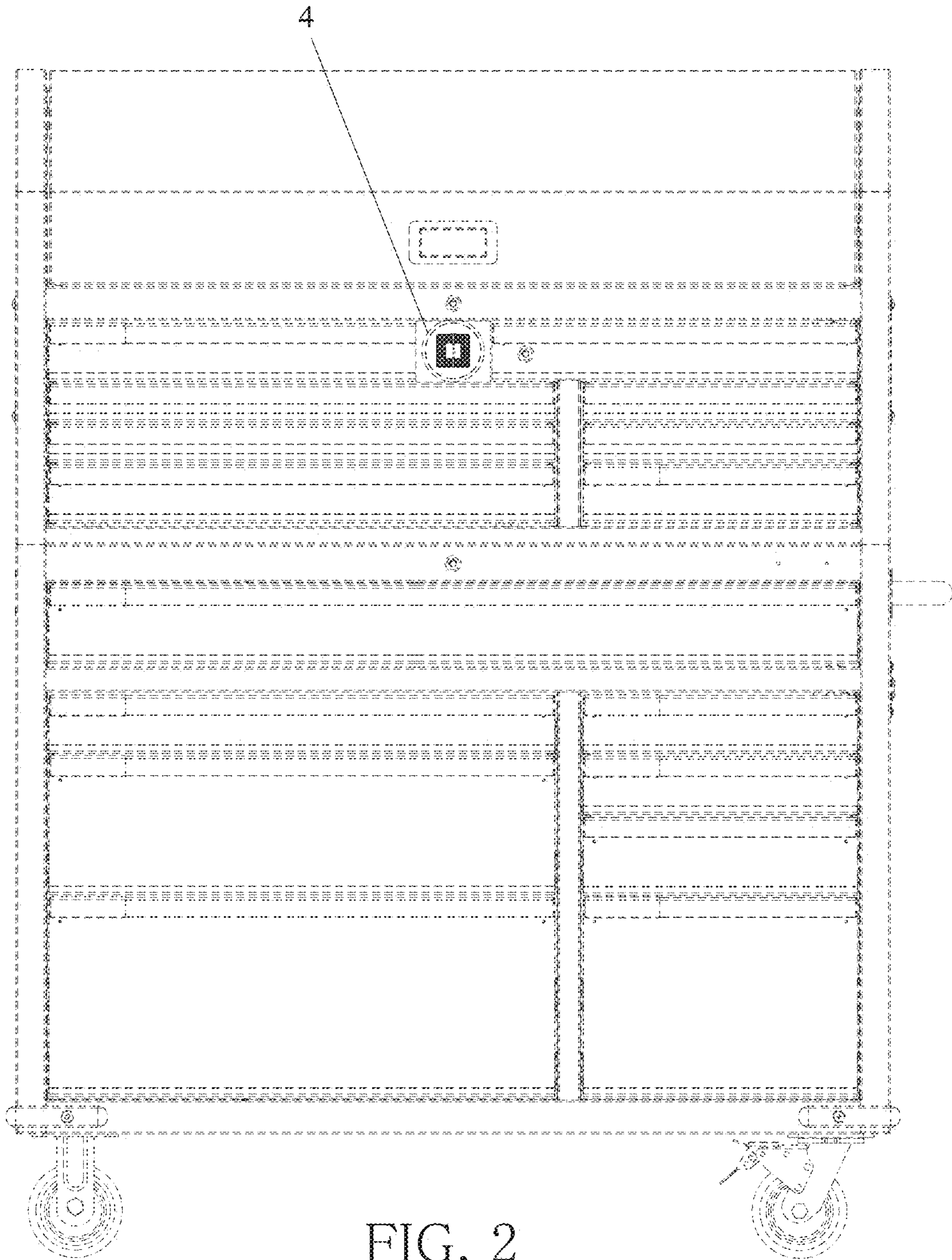


FIG. 2

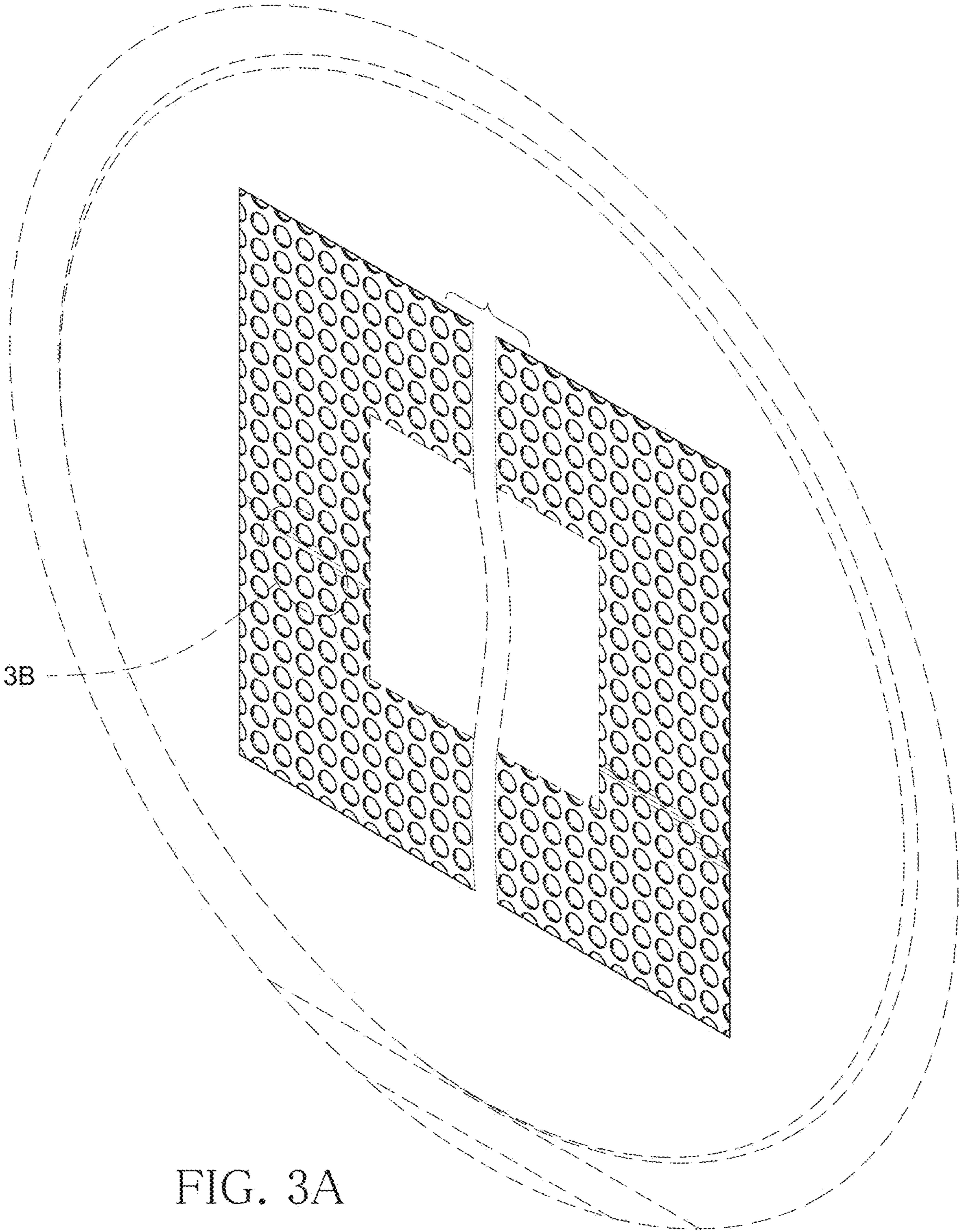


FIG. 3A

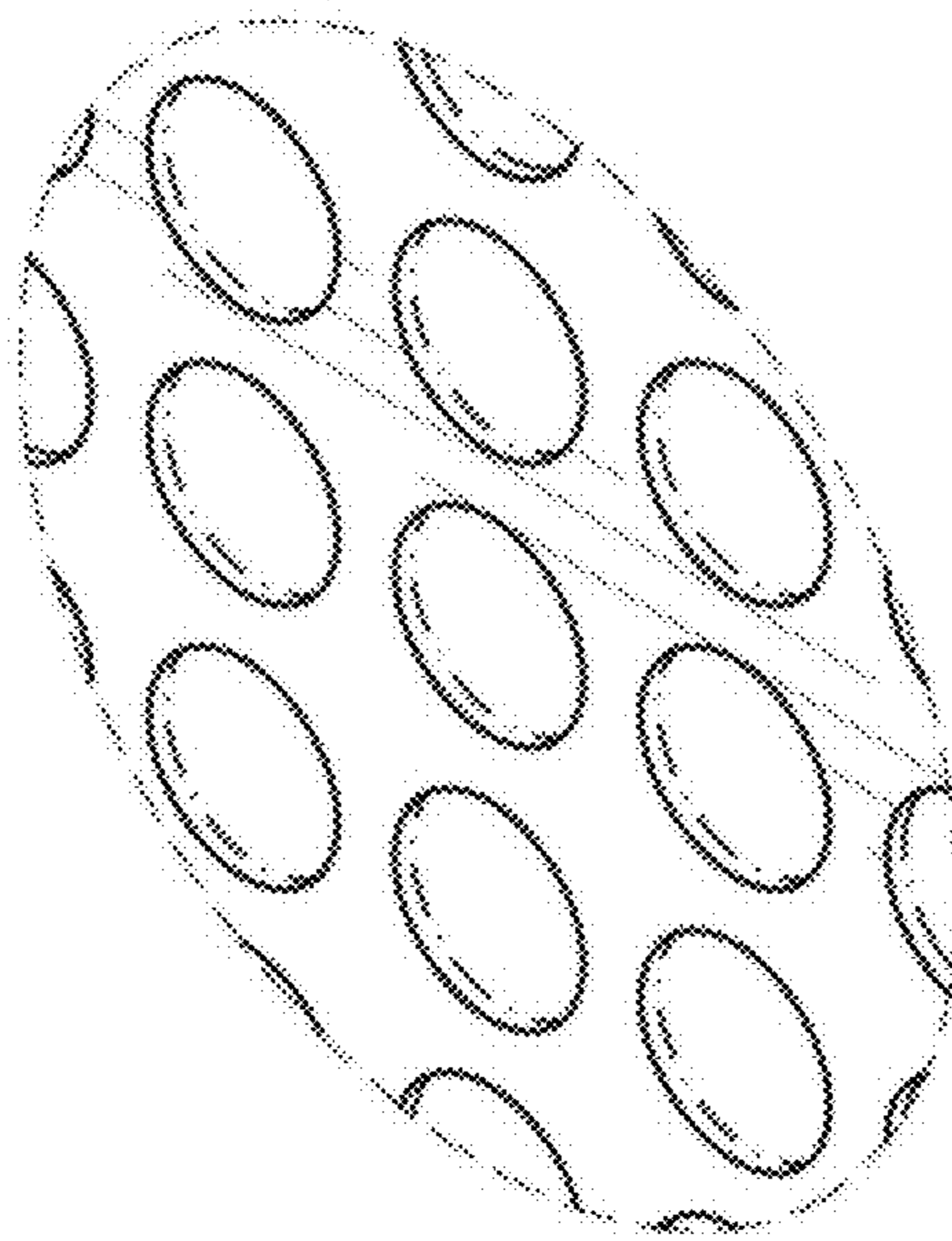


FIG. 3B

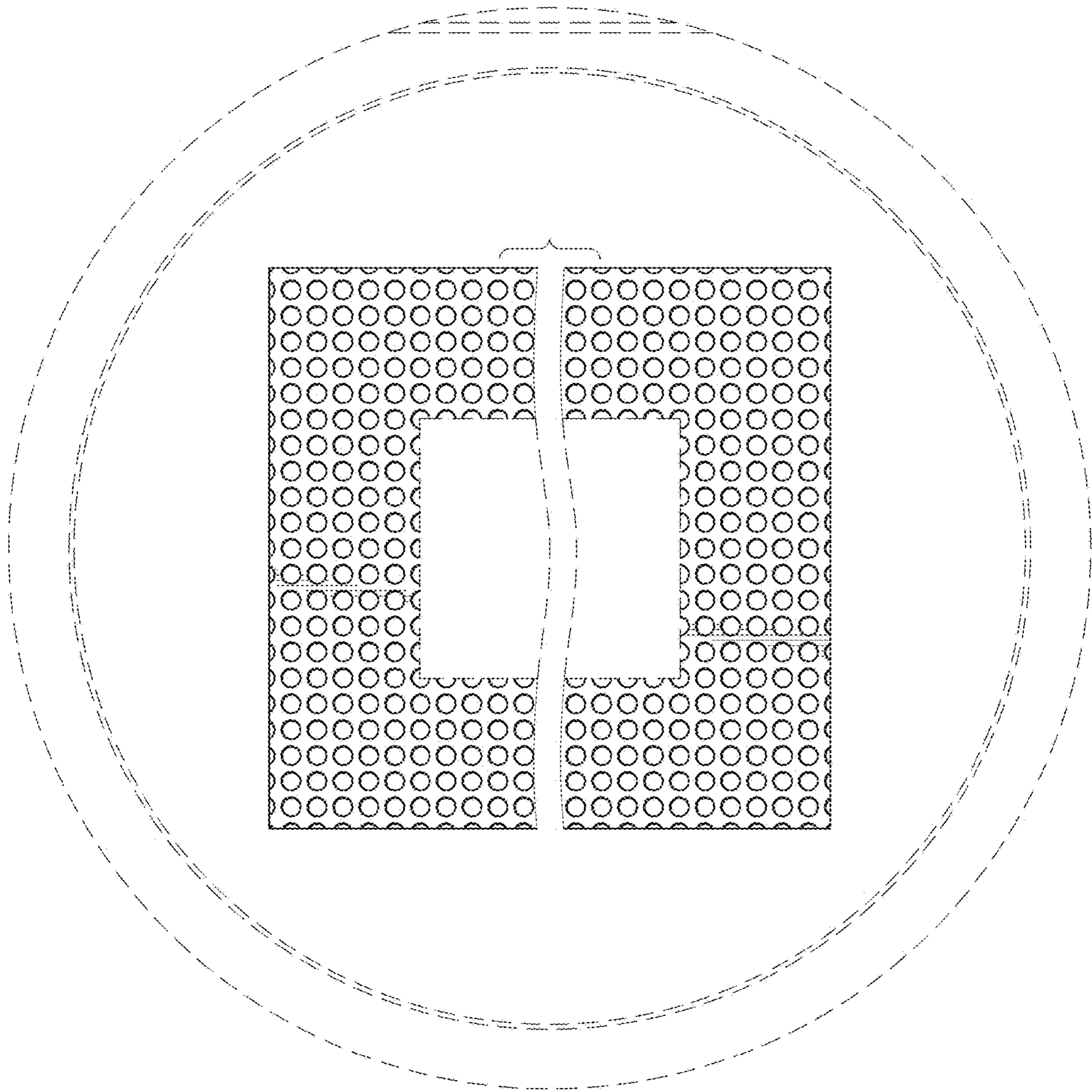


FIG. 4