



US00D838526S

(12) **United States Design Patent**
Kim et al.

(10) **Patent No.:** **US D838,526 S**
(45) **Date of Patent:** **** Jan. 22, 2019**

(54) **SHELF FOR DISPLAYING GOODS**

(56) **References Cited**

(71) Applicant: **LG ELECTRONICS INC.**, Seoul (KR)

U.S. PATENT DOCUMENTS

(72) Inventors: **Jideok Kim**, Seoul (KR); **Youra Heo**, Seoul (KR); **Jaehyuk Lim**, Seoul (KR); **Seungchan Lee**, Seoul (KR); **Kwangasuk Hwang**, Seoul (KR)

D267,059	S	*	11/1982	Thompson	D6/574
4,762,688	A	*	8/1988	Berry, Jr.	A61L 2/26 206/349
D323,091	S	*	1/1992	Boschetto	D6/574
D352,198	S	*	11/1994	Wright	D6/574
D355,990	S	*	3/1995	Vincelli	D6/555
D361,238	S	*	8/1995	Richards	D6/574
D376,737	S	*	12/1996	Hecker	248/95
D403,546	S	*	1/1999	Moon	D6/574
6,065,407	A	*	5/2000	Wang	A47B 57/545 108/110
D483,595	S	*	12/2003	Trapp	D6/574
D485,716	S	*	1/2004	Boron	D6/574
D520,287	S	*	5/2006	Sparkowski	D6/574
D604,539	S	*	11/2009	Kennedy	D6/574
8,960,457	B2	*	2/2015	Brisendine	A47B 43/006 211/113
D743,194	S	*	11/2015	Reinhart	D6/705.5

(73) Assignee: **LG ELECTRONICS INC.**, Seoul (KR)

(**) Term: **15 Years**

(21) Appl. No.: **35/503,363**

(22) Filed: **Jan. 13, 2017**

(80) **Hague Agreement Data**

Int. Filing Date: **Jan. 13, 2017**
Int. Reg. No.: **DM/094512**
Int. Reg. Date: **Jan. 13, 2017**
Int. Reg. Pub. Date: **Jul. 14, 2017**

(Continued)

Primary Examiner — Mary Ann Calabrese

Assistant Examiner — Jennifer L Rempfer

(74) *Attorney, Agent, or Firm* — Birch, Stewart, Kolasch & Birch, LLP

(30) **Foreign Application Priority Data**

Jul. 22, 2016 (KR) 30-2016-0036073

(51) **LOC (11) Cl.** **06-04**

(52) **U.S. Cl.**
USPC **D6/705.1; D6/574**

(58) **Field of Classification Search**

USPC ... D6/513, 574, 672, 675, 675.1–675.4, 705, D6/705.1, 705.5, 705.7, 706, 707, 707.19; D7/571–572, 576–577, 600, 600.1–600.4; D13/179; 108/50.11, 61, 132; D14/457; D25/119; D26/51; 211/119.003; 312/350, 258; 248/95; D21/369
CPC A47B 73/00; A47B 73/002; A47B 73/004; A47B 47/00; A47B 47/0058; A47B 47/008; A47B 47/25; A47F 5/00; A47F 5/0056; A47F 5/0062; B65D 21/0211
See application file for complete search history.

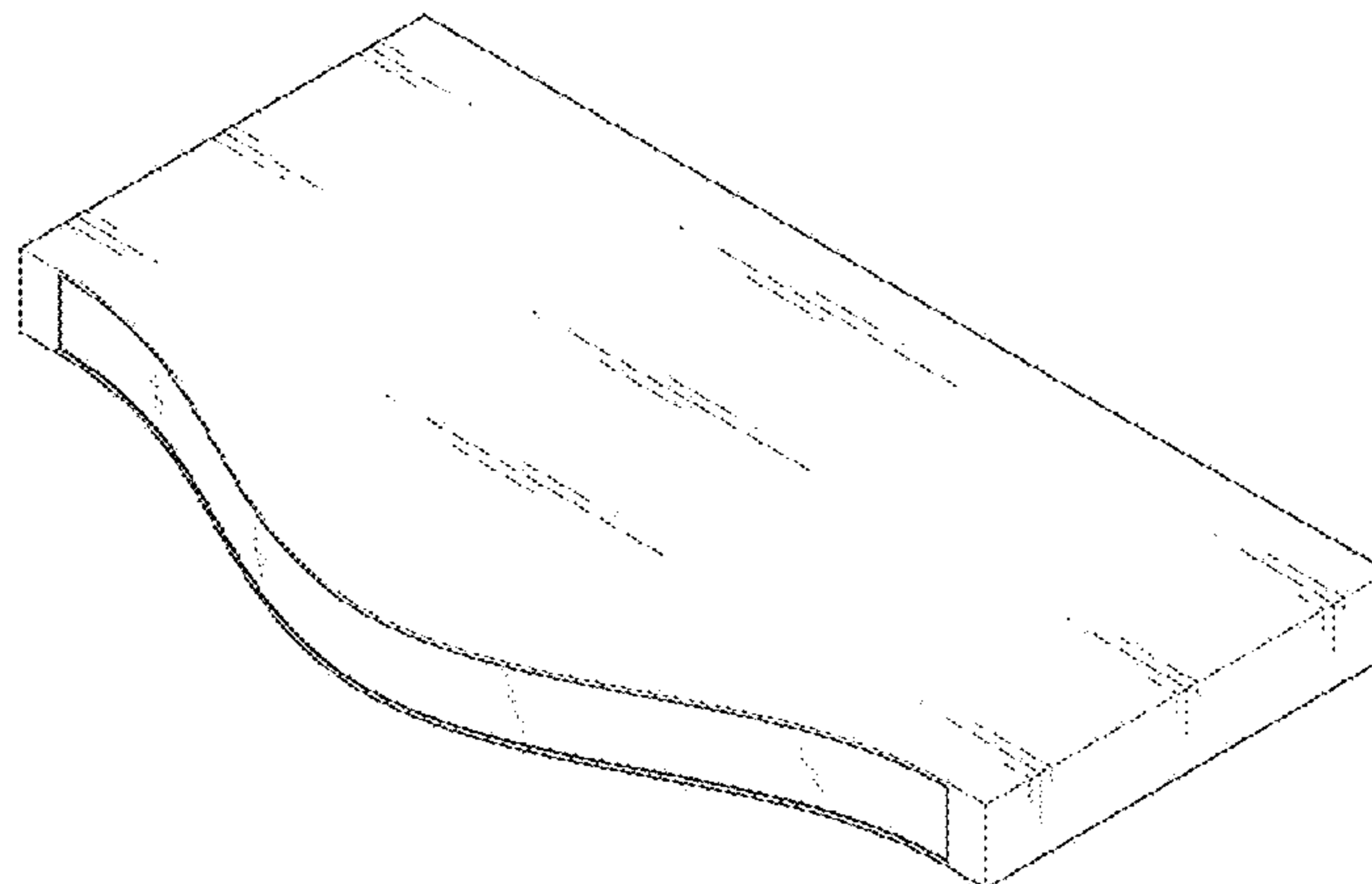
(57) **CLAIM**

The ornamental design for a display shelf, as shown and described.

DESCRIPTION

- 1. Display shelf
- 1.1 : Perspective
- 1.2 : Front
- 1.3 : Back
- 1.4 : Left
- 1.5 : Right
- 1.6 : Top
- 1.7 : Bottom

1 Claim, 7 Drawing Sheets



(56)

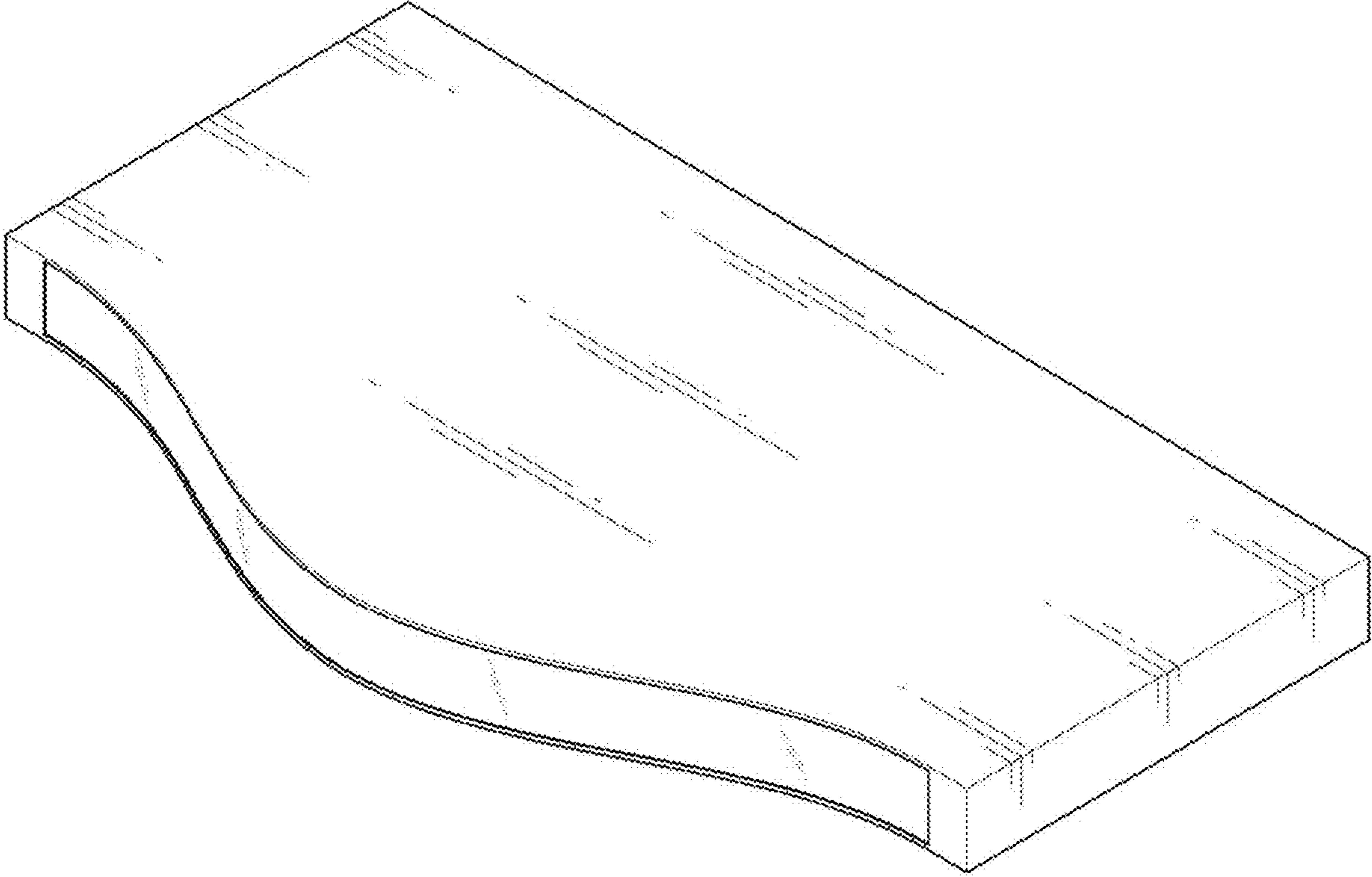
References Cited

U.S. PATENT DOCUMENTS

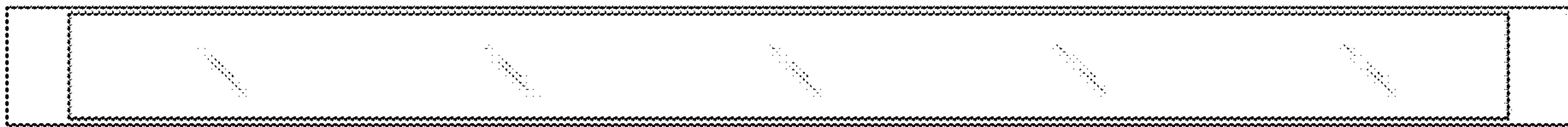
D767,926 S * 10/2016 Denby D6/705
D802,970 S * 11/2017 Henonin D6/675
D804,228 S * 12/2017 Scherer D6/705
D814,219 S * 4/2018 Clayton D6/705.1

* cited by examiner

1.1



1.2



1.3



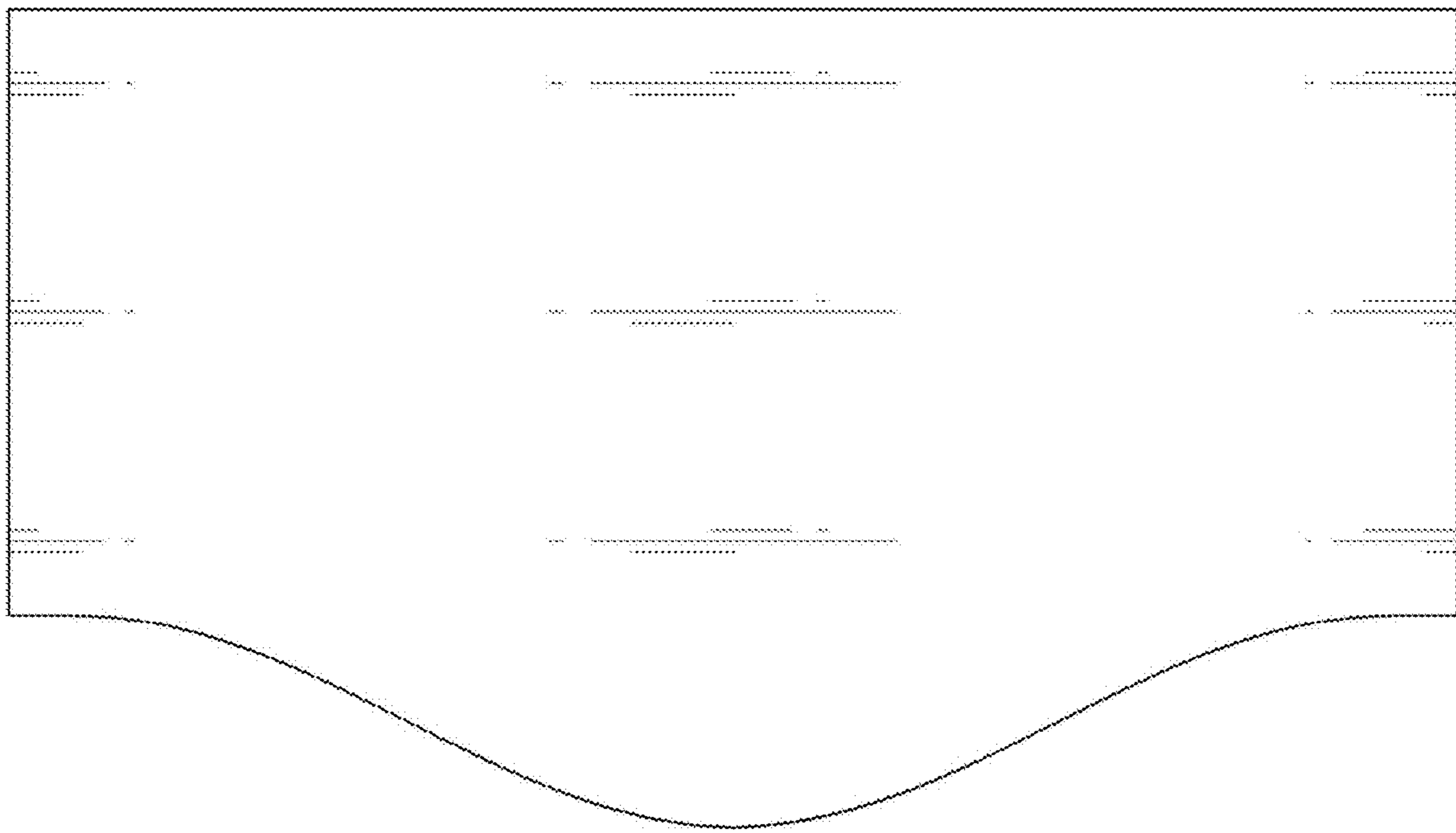
1.4



1.5



1.6



1.7

