



US00D838525S

(12) **United States Design Patent**
Guo

(10) **Patent No.:** **US D838,525 S**
(45) **Date of Patent:** **** Jan. 22, 2019**

- (54) **STAND**
- (71) Applicant: **Chucan Guo**, Guangdong (CN)
- (72) Inventor: **Chucan Guo**, Guangdong (CN)
- (**) Term: **15 Years**
- (21) Appl. No.: **29/628,551**
- (22) Filed: **Dec. 5, 2017**
- (51) **LOC (11) Cl.** **06-06**
- (52) **U.S. Cl.**
USPC **D6/682.1**
- (58) **Field of Classification Search**
USPC D6/672, 682, 682.1, 682.2; D7/601, 602,
D7/701
CPC A47F 5/00; A47F 5/0006; A47F 5/0081;
A47F 5/08; A47F 5/0884; A47F 7/00
See application file for complete search history.

- 8,056,871 B2 * 11/2011 Matias A47B 23/043
248/176.1
- D689,478 S * 9/2013 Wikel D14/253
- D751,564 S * 3/2016 Hahn D14/447
- D760,517 S * 7/2016 Lugo-Velazquez D6/682.1
- D769,024 S 10/2016 Montoya
- D773,201 S * 12/2016 Cardell D6/406.1
- D775,684 S 1/2017 Jacob et al.
- D781,372 S * 3/2017 Floersch D14/447
- D792,414 S 7/2017 Floersch et al.
- D793,779 S 8/2017 Van Ledingham, Jr. et al.
- D798,358 S 9/2017 Holbrook et al.
- D798,808 S 10/2017 Ptok et al.
- D799,464 S * 10/2017 Zaihui D14/252
- 2010/0102191 A1 * 4/2010 Wang F16M 11/10
248/372.1

* cited by examiner

Primary Examiner — Kelley A Donnelly

(57) **CLAIM**

The ornamental design for a stand, as shown and described.

(56) **References Cited**

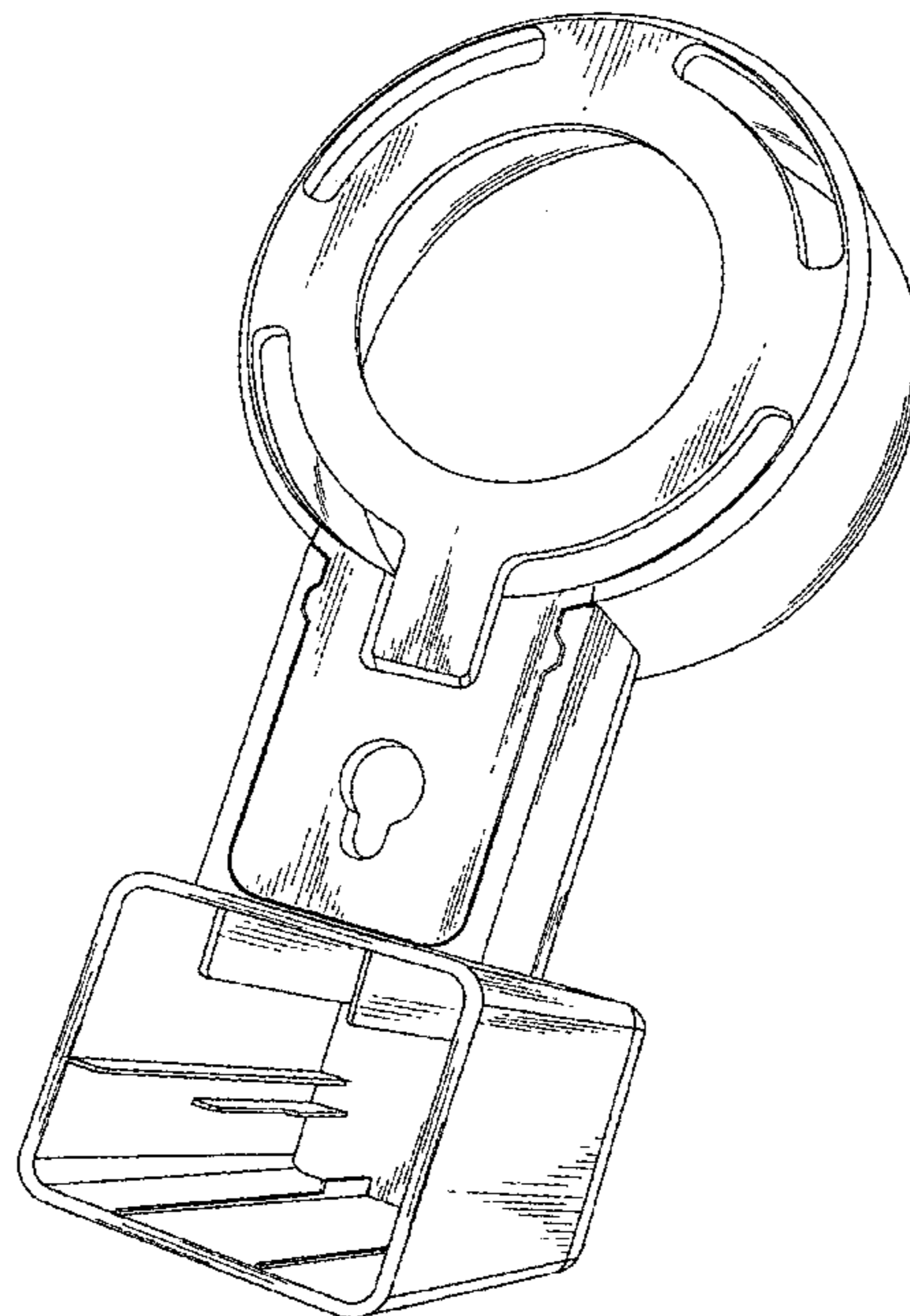
U.S. PATENT DOCUMENTS

- D161,665 S * 1/1951 Vermann D6/682.1
- D206,785 S * 1/1967 McCormick D19/65
- 5,088,676 A * 2/1992 Orchard F16M 11/046
248/421
- D456,415 S * 4/2002 Deuschle D14/447
- D544,727 S * 6/2007 Valdez D6/552
- D563,693 S * 3/2008 Calleja D6/682
- 7,434,774 B1 * 10/2008 Floersch F16M 11/10
248/183.1
- D619,123 S 7/2010 Lau
- D625,150 S * 10/2010 Ciarrocchi, Jr. B65D 25/20
D7/600.1

DESCRIPTION

FIG. 1 is a perspective view of a stand showing my new design;
 FIG. 2 is a front elevational view thereof;
 FIG. 3 is a rear elevational view thereof;
 FIG. 4 is a left side elevational view thereof;
 FIG. 5 is a right side elevational view thereof;
 FIG. 6 is a top plan view thereof;
 FIG. 7 is a bottom plan view thereof; and,
 FIG. 8 is an exploded view of a stand showing my new design.

1 Claim, 8 Drawing Sheets



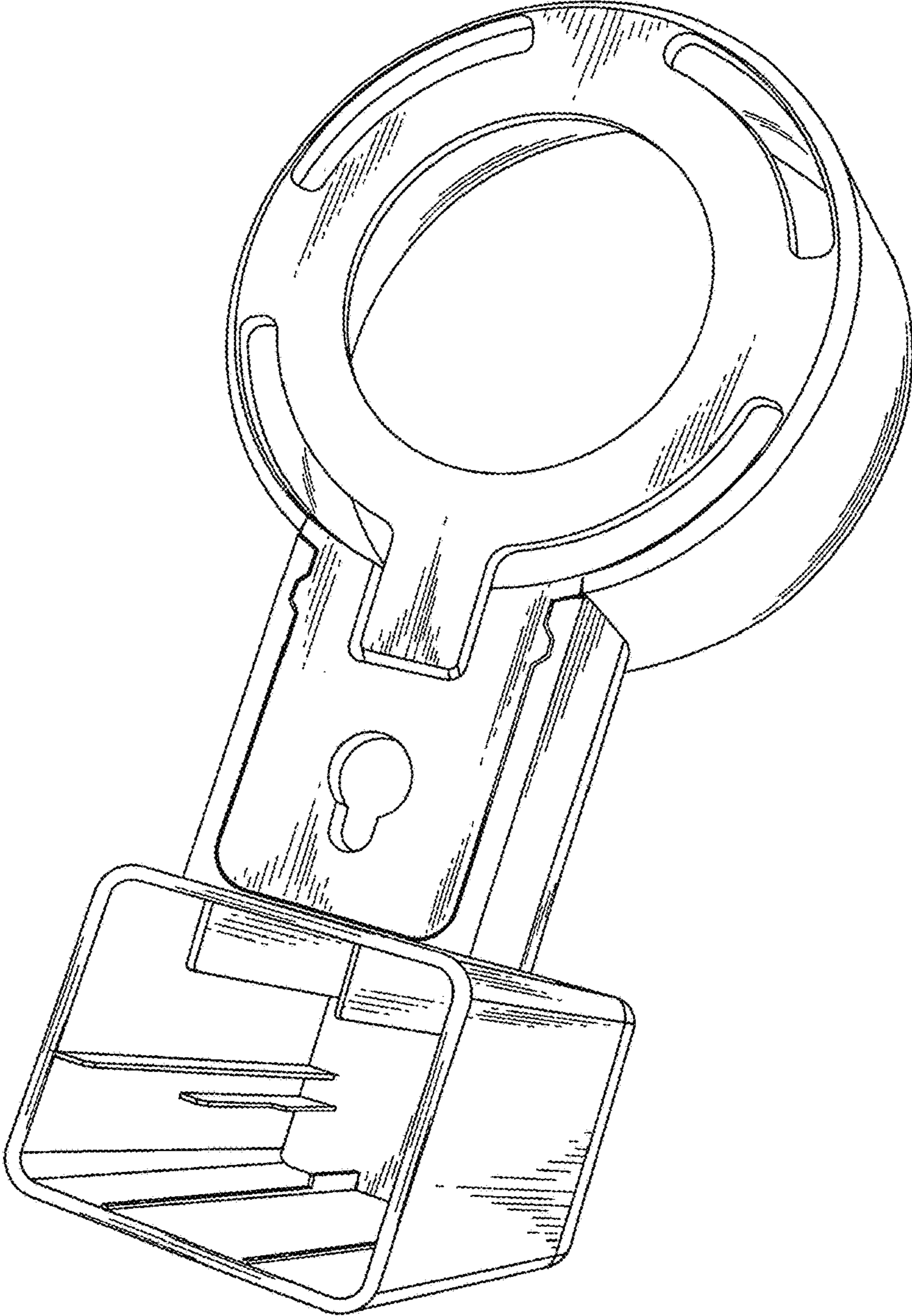


FIG.1

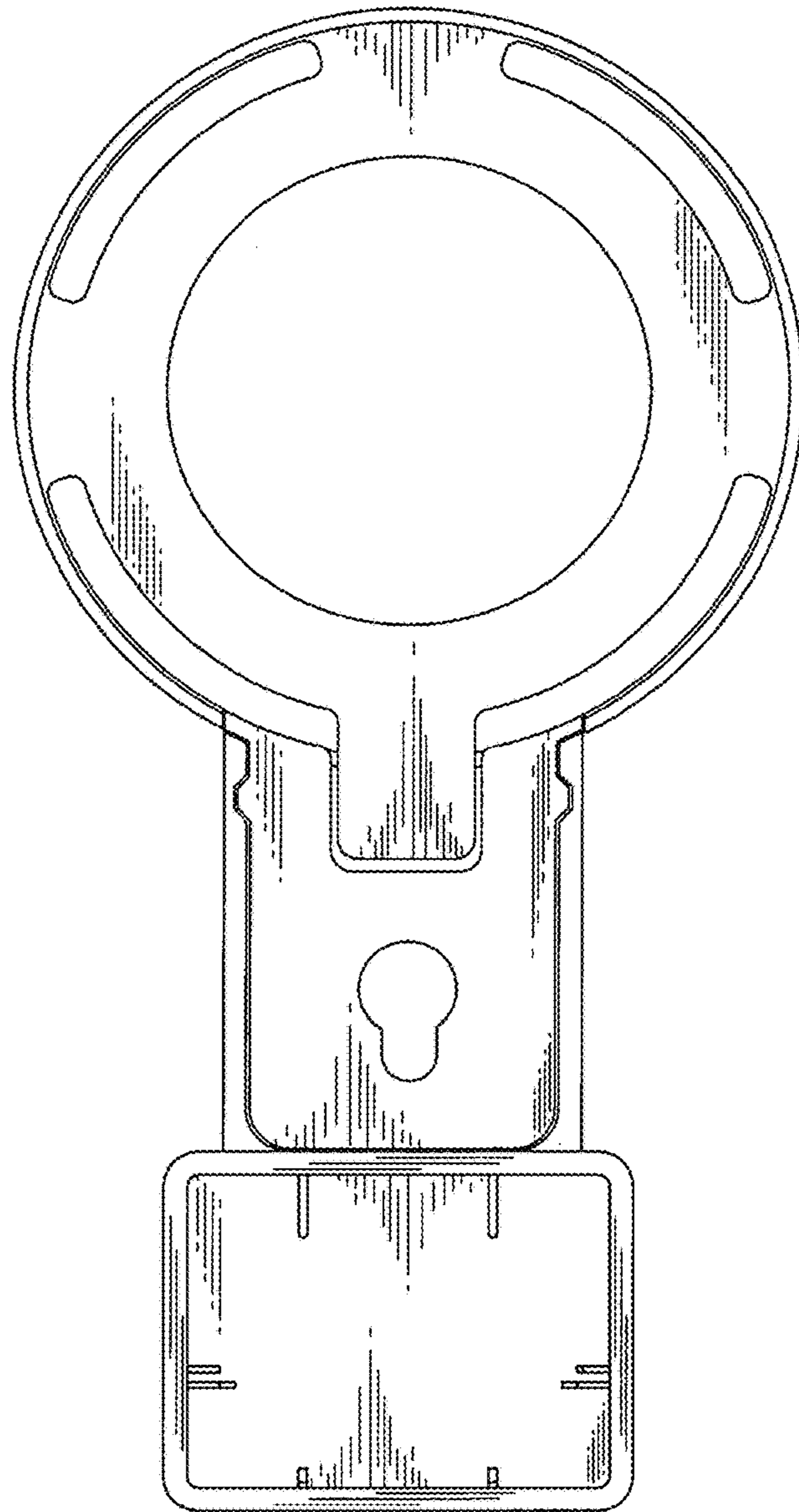


FIG.2

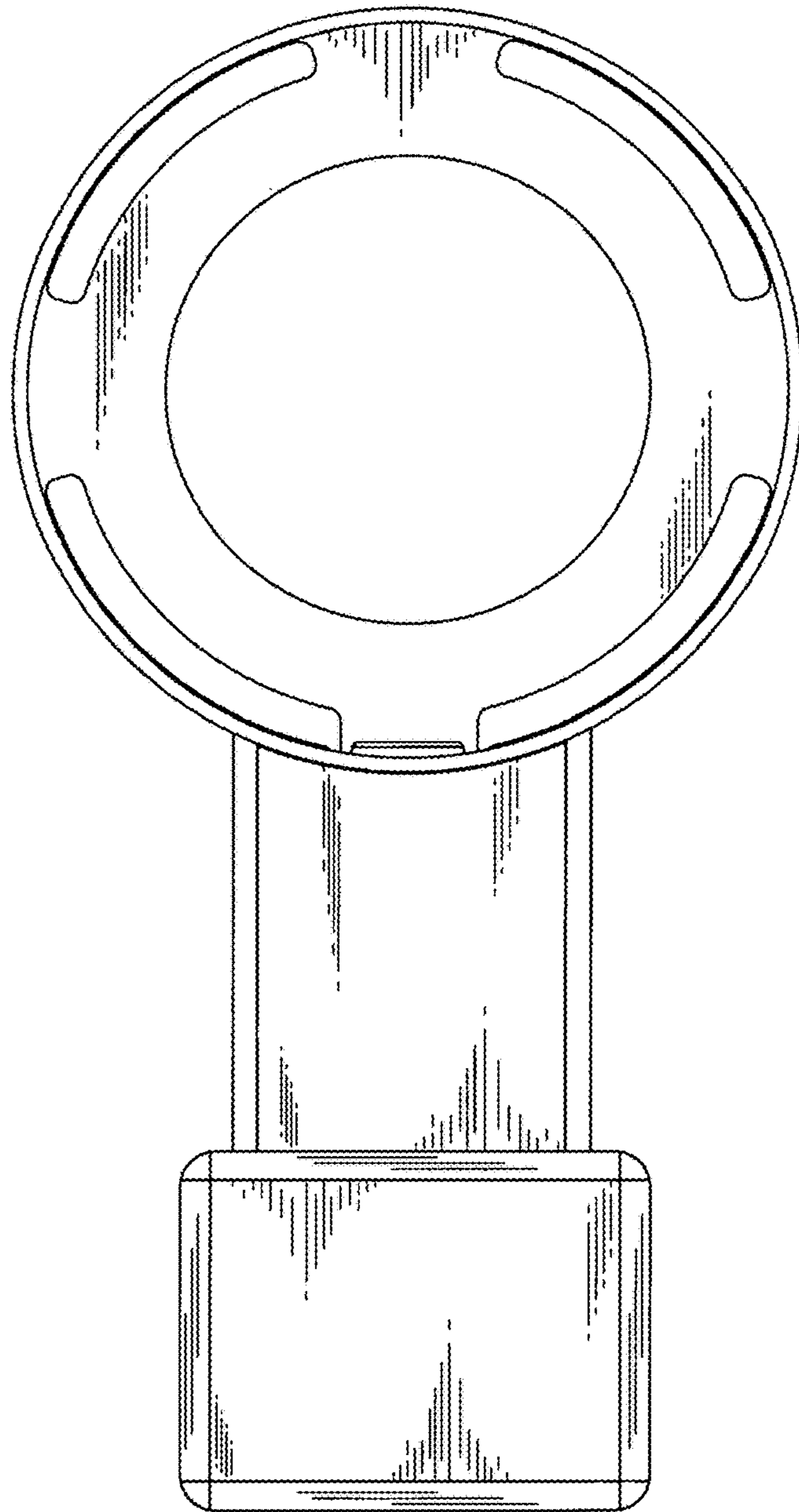


FIG. 3

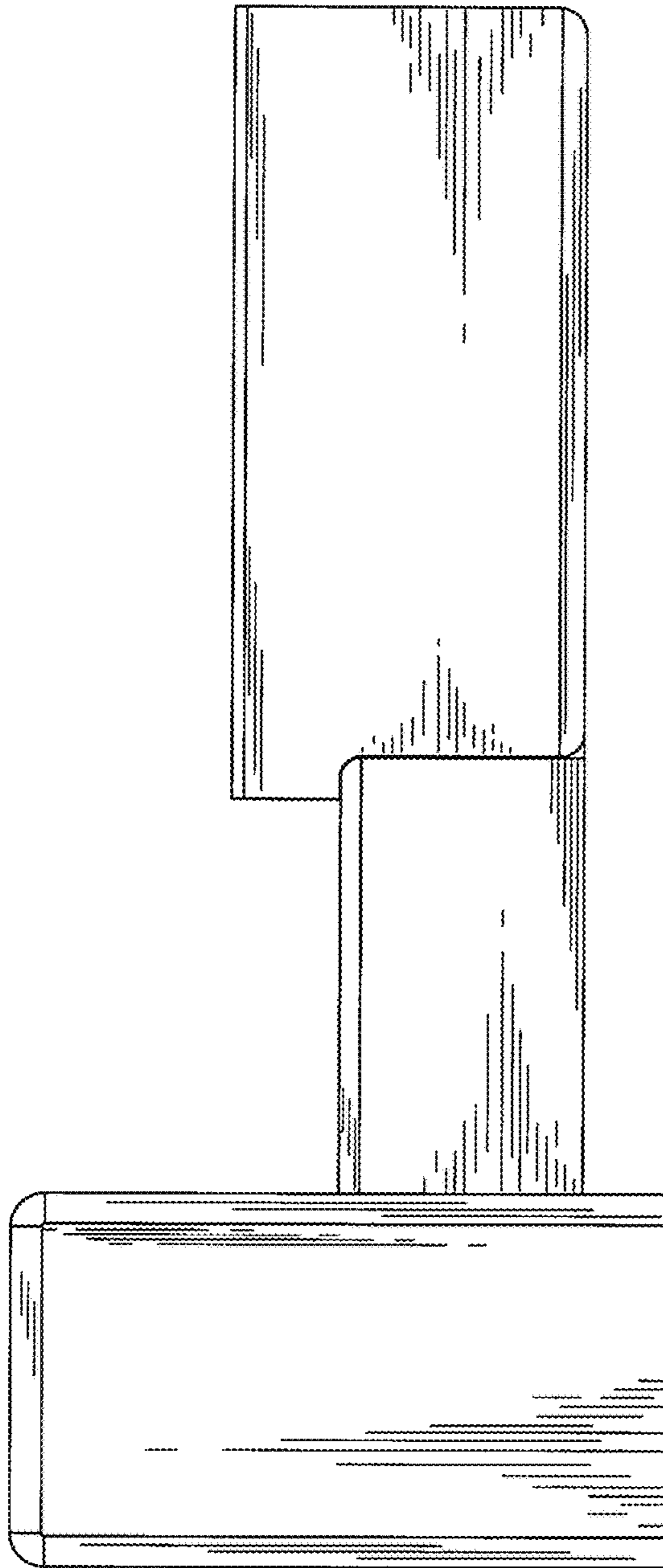


FIG. 4

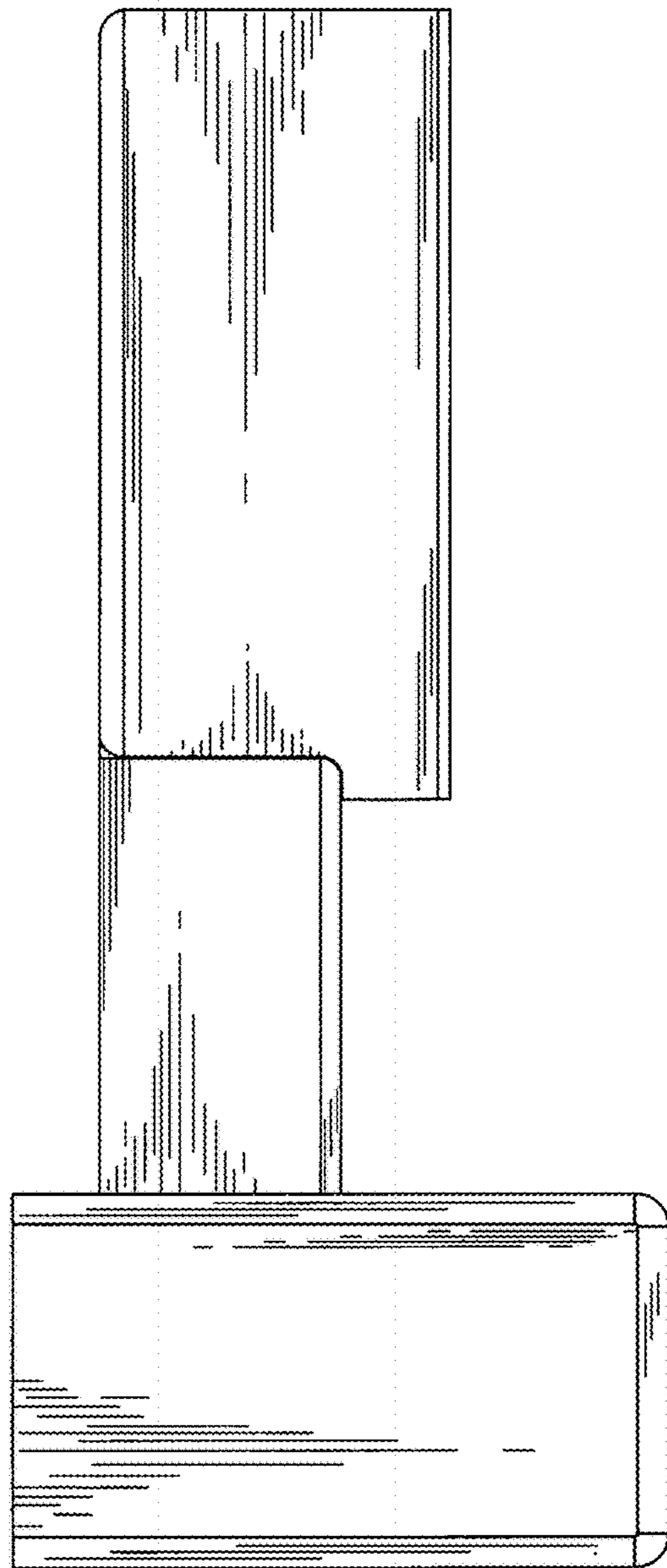


FIG. 5

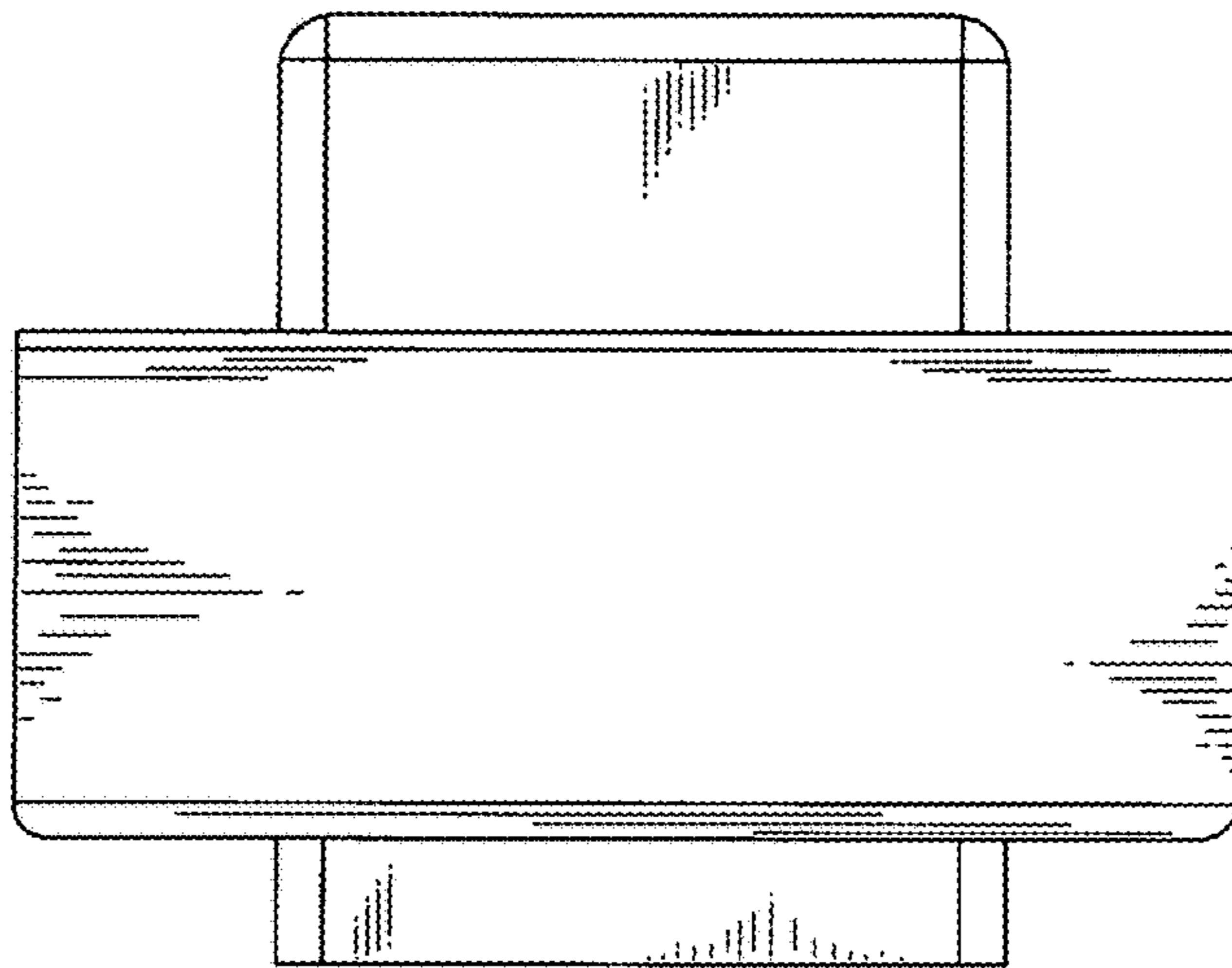


FIG. 6

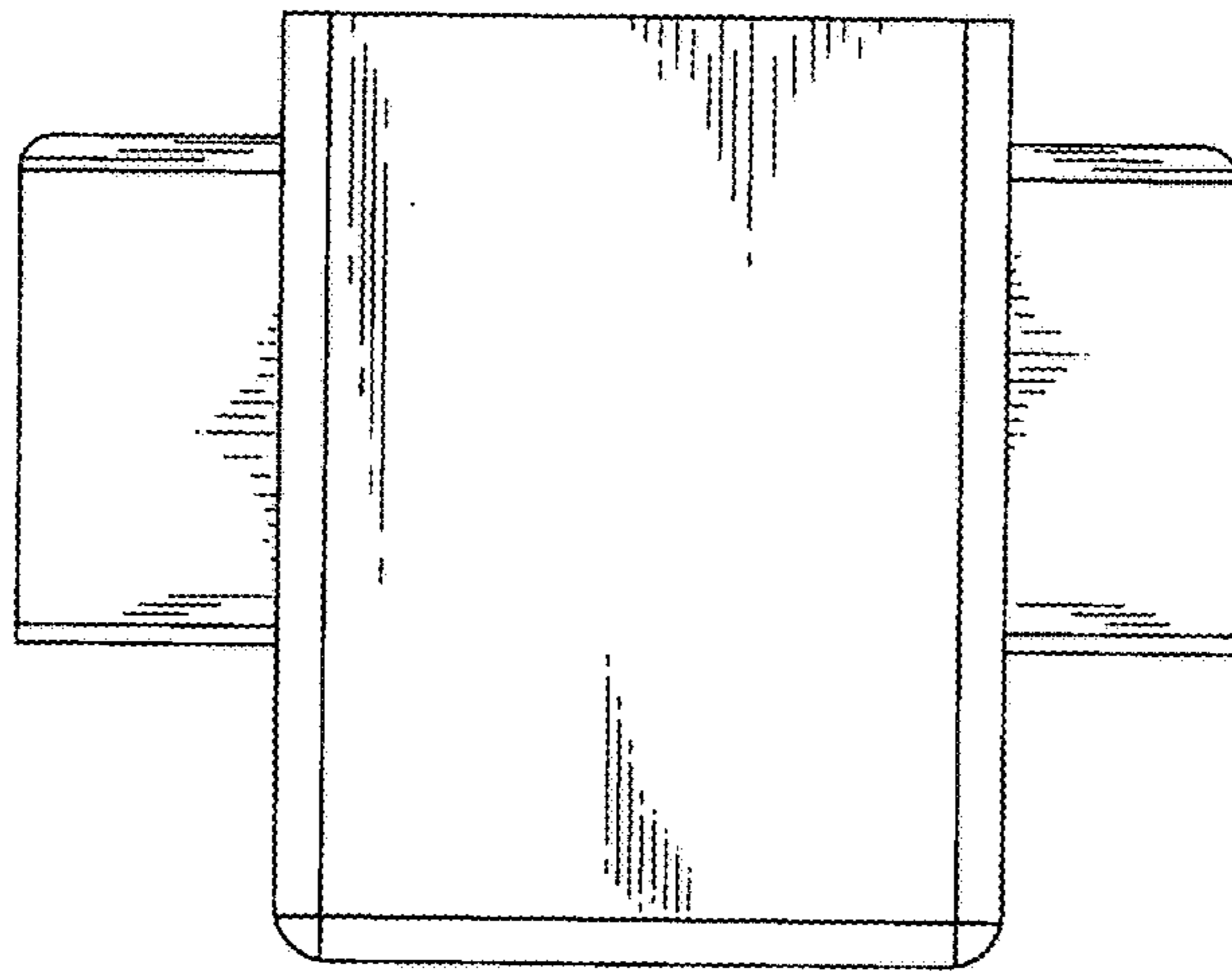


FIG. 7

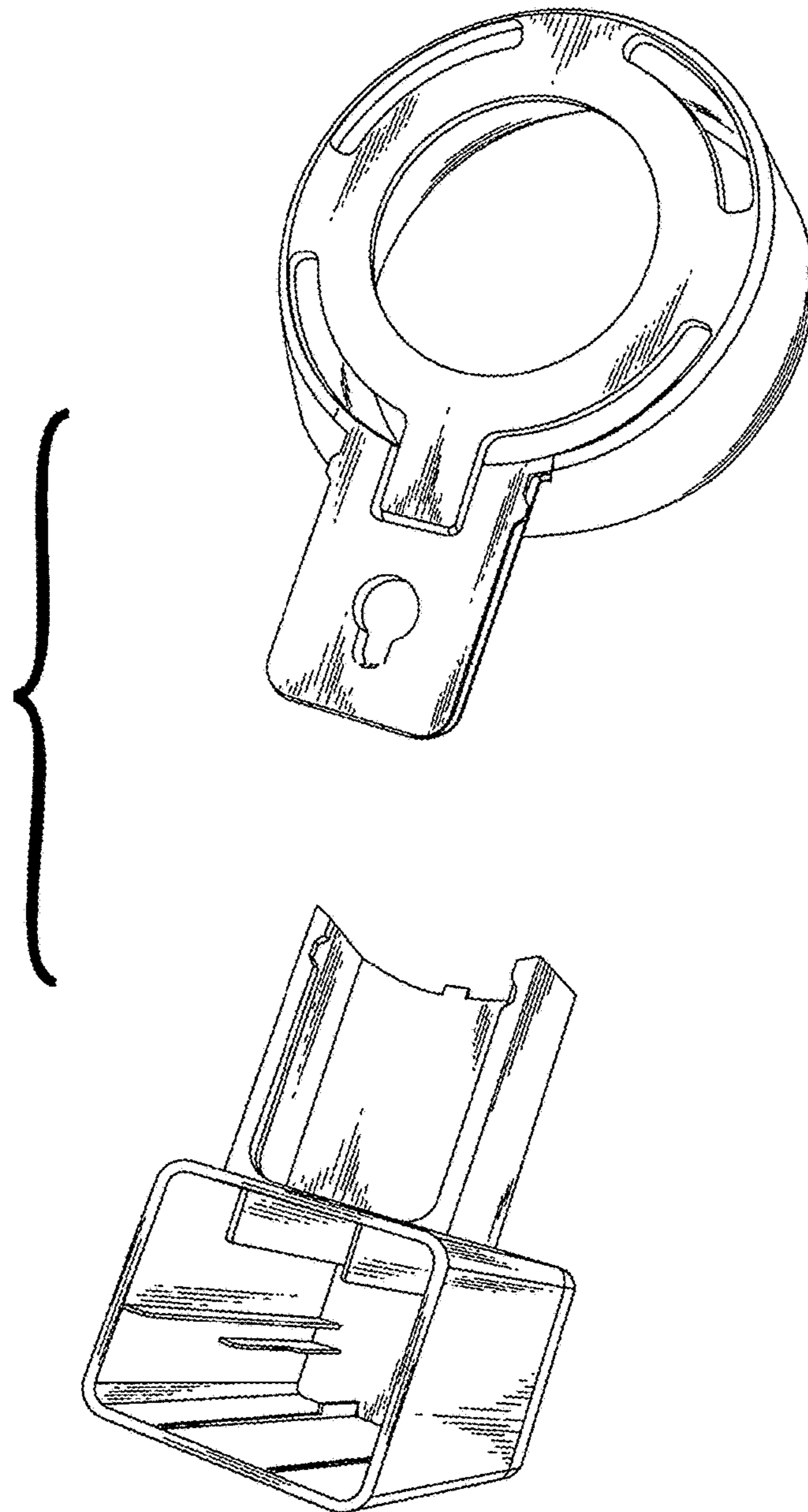


FIG. 8