



US00D838524S

(12) **United States Design Patent** (10) **Patent No.:** **US D838,524 S**
Akana et al. (45) **Date of Patent:** **** Jan. 22, 2019**

(54) **DISPLAY STAND**

(71) Applicant: **Apple Inc.**, Cupertino, CA (US)

(72) Inventors: **Jody Akana**, San Francisco, CA (US);
Bartley K. Andre, Palo Alto, CA (US);
Shota Aoyagi, San Francisco, CA (US);
Anthony Michael Ashcroft, San Francisco, CA (US);
Jeremy Bataillou, San Francisco, CA (US);
Daniel J. Coster, San Francisco, CA (US);
Daniele De Iuliis, San Francisco, CA (US);
M. Evans Hankey, San Francisco, CA (US);
Julian Hoenig, San Francisco, CA (US);
Richard P. Howarth, San Francisco, CA (US);
Jonathan P. Ive, San Francisco, CA (US);
Duncan Robert Kerr, San Francisco, CA (US);
Matthew Dean Rohrbach, San Francisco, CA (US);
Peter Russell-Clarke, San Francisco, CA (US);
Benjamin Andrew Shaffer, San Jose, CA (US);
Mikael Silvano, San Francisco, CA (US);
Christopher J. Stringer, Woodside, CA (US);
Eugene Antony Whang, San Francisco, CA (US);
Rico Zörkendörfer, San Francisco, CA (US)

(73) Assignee: **Apple Inc.**, Cupertino, CA (US)

(**) Term: **15 Years**

(21) Appl. No.: **29/604,053**

(22) Filed: **May 15, 2017**

Related U.S. Application Data

(63) Continuation of application No. 29/561,220, filed on Apr. 14, 2016, now Pat. No. Des. 789,123, which is a continuation of application No. 29/541,528, filed on Oct. 5, 2015, now Pat. No. Des. 753,942, which is a

continuation of application No. 29/500,897, filed on Aug. 29, 2014, now Pat. No. Des. 740,060.

(51) **LOC (11) Cl.** **06-06**

(52) **U.S. Cl.**
USPC **D6/682**

(58) **Field of Classification Search**
USPC D6/672, 677, 678, 681, 681.1, 682, D6/682.1, 682.3, 512; D3/903; D9/671
CPC A47F 5/0884; A47F 7/02; A47F 7/022
See application file for complete search history.

(56) **References Cited**

U.S. PATENT DOCUMENTS

D141,791 S 7/1945 Siegel
2,549,369 A 4/1951 Epstein
(Continued)

Primary Examiner — Kelley A Donnelly
(74) *Attorney, Agent, or Firm* — Sterne, Kessler, Goldstein & Fox, P.L.L.C.

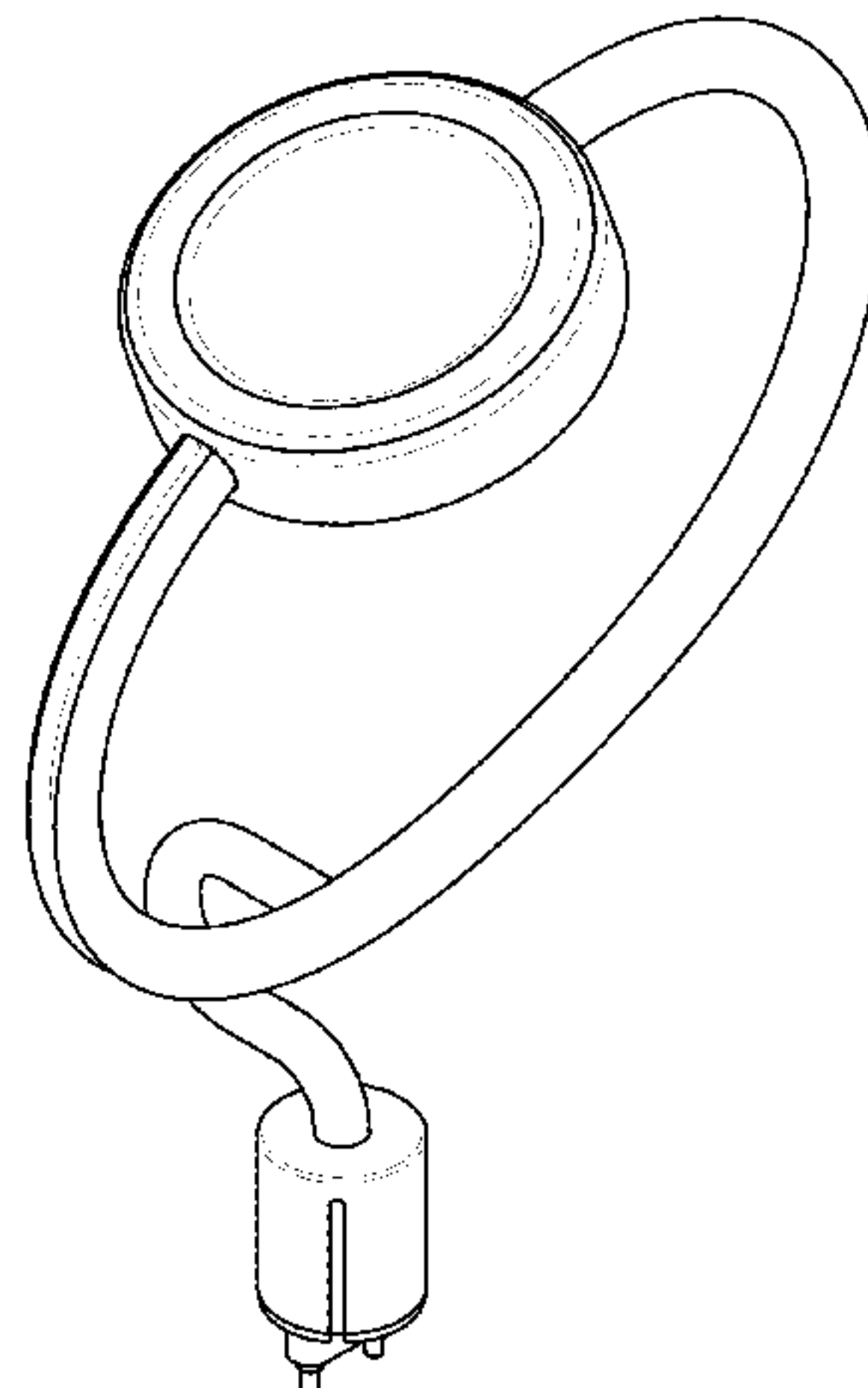
(57) **CLAIM**

The ornamental design for a display stand, as shown and described.

DESCRIPTION

FIG. 1 is a top front perspective view of a display stand showing the claimed design;
FIG. 2 is a front view thereof;
FIG. 3 is a rear view thereof;
FIG. 4 is a left side view thereof;
FIG. 5 is a right side view thereof;
FIG. 6 is a top view thereof;
FIG. 7 is a bottom view thereof; and,
FIG. 8 is a right side view thereof showing the display stand in an environment in which it may be used.
The broken lines in the figures show portions of the display stand or environment that form no part of the claimed design.

1 Claim, 6 Drawing Sheets



(56)

References Cited

U.S. PATENT DOCUMENTS

D209,359 S	11/1967	Schuler	D665,754 S	8/2012	Cobbett et al.	
5,136,557 A	8/1992	Plawker et al.	D696,259 S	12/2013	Howarth et al.	
5,181,608 A	1/1993	Herzog	D709,066 S *	7/2014	Byun	D14/253
5,377,822 A	1/1995	Herzog	D735,131 S	7/2015	Akana et al.	
5,579,906 A	12/1996	Fabbri et al.	D740,060 S *	10/2015	Akana	D6/682.5
D379,758 S	6/1997	Chu Lee	D753,942 S *	4/2016	Akana	D6/682.5
5,799,911 A	9/1998	Dostie et al.	D770,456 S	11/2016	Akana et al.	
D409,416 S	5/1999	Au	D789,123 S *	6/2017	Akana	D6/682.5
6,109,279 A	8/2000	Kloss et al.	D794,984 S *	8/2017	Green	D6/682.5
6,264,148 B1	7/2001	Chandler	D805,331 S *	12/2017	De Iuliis	D6/682.6
D478,740 S	8/2003	Kirshner	D810,478 S *	2/2018	Akana	D6/682
D499,903 S	12/2004	Zanghi et al.	D813,576 S *	3/2018	Schwalbach	D6/677.4
D502,338 S	3/2005	Zanghi et al.	2007/0229025 A1	10/2007	Tsai et al.	
D540,065 S	4/2007	Harris	2007/0293079 A1	12/2007	Chao et al.	
D577,990 S	10/2008	Andre et al.	2011/0084838 A1 *	4/2011	Fawcett	A47F 7/024 340/568.8
D599,241 S	9/2009	Andre et al.	2014/0073183 A1	3/2014	Golko et al.	
D643,844 S	8/2011	Akana et al.	2014/0073206 A1	3/2014	Golko et al.	
D662,939 S	7/2012	Akana et al.	2014/0075051 A1	3/2014	Zadesky et al.	
			2014/0075067 A1	3/2014	Mullins et al.	

* cited by examiner

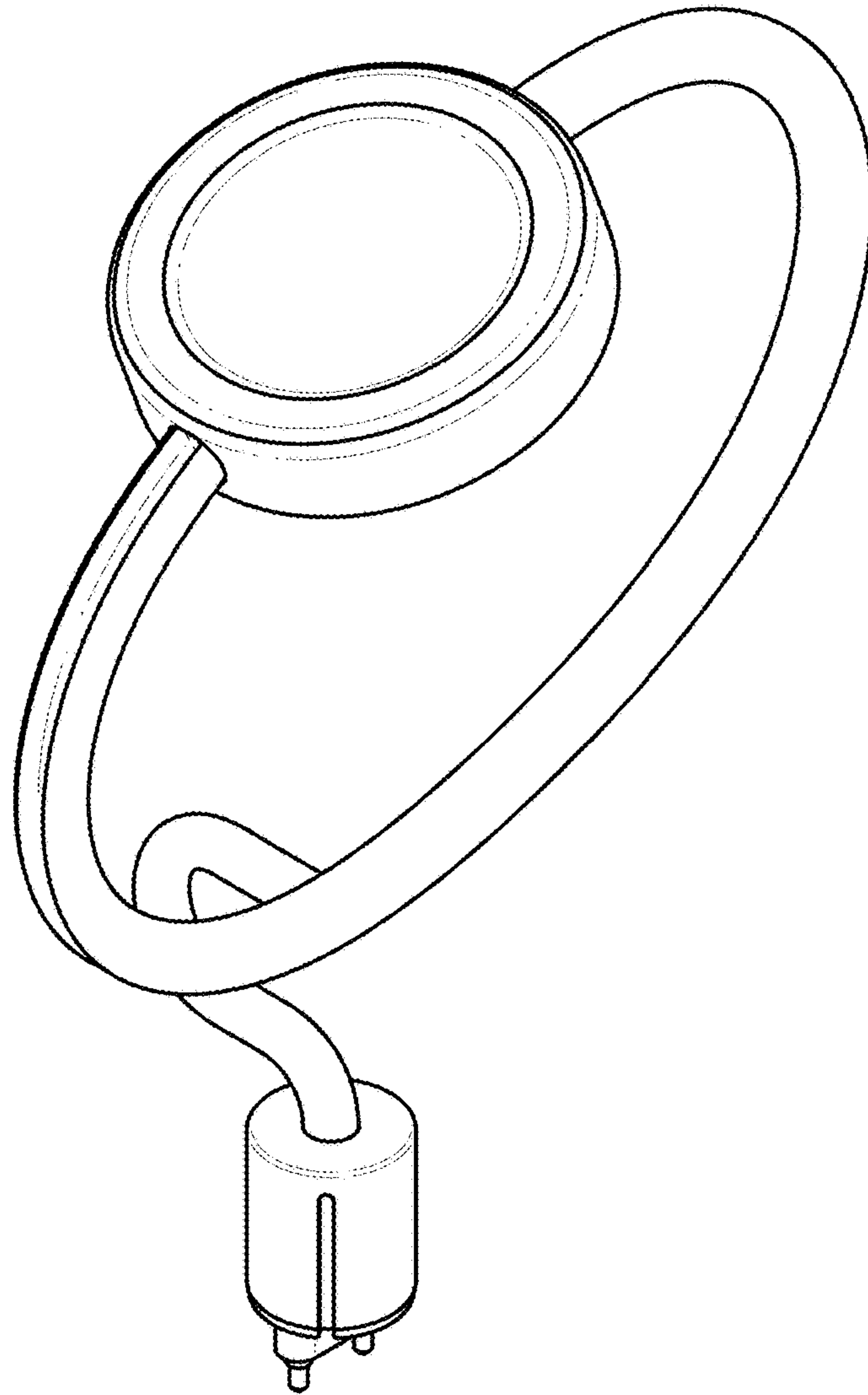


FIG. 1

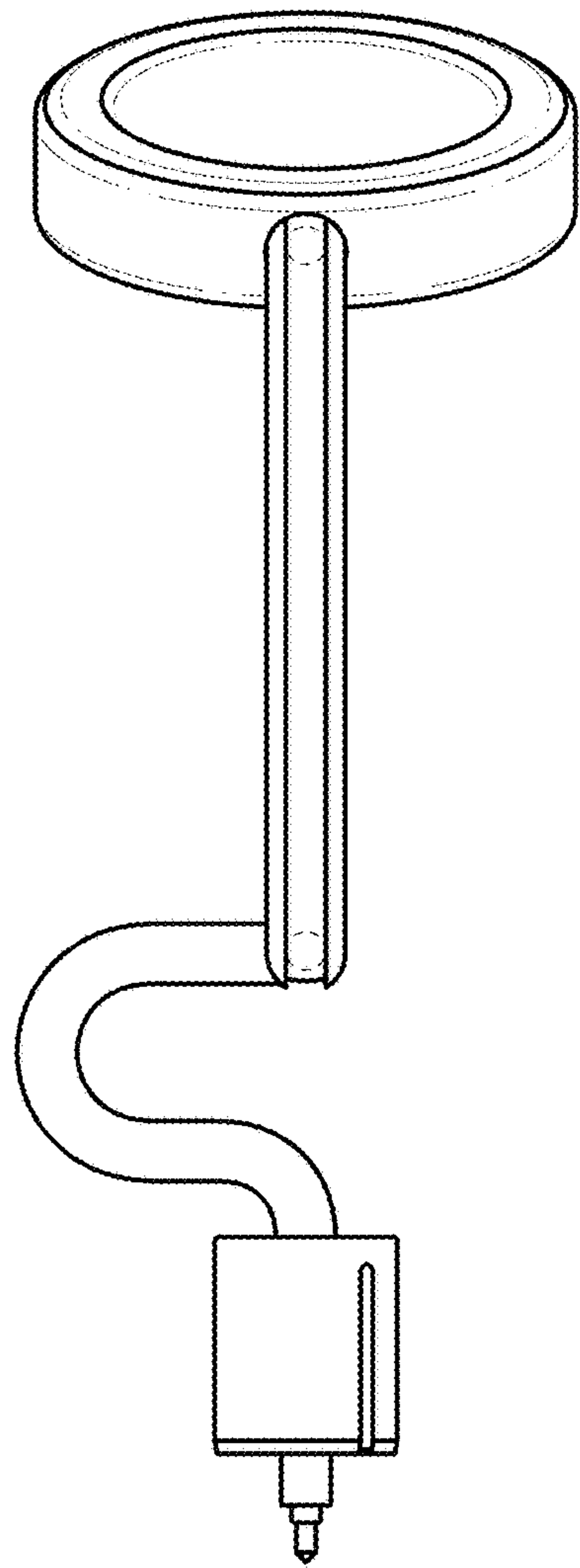


FIG. 2

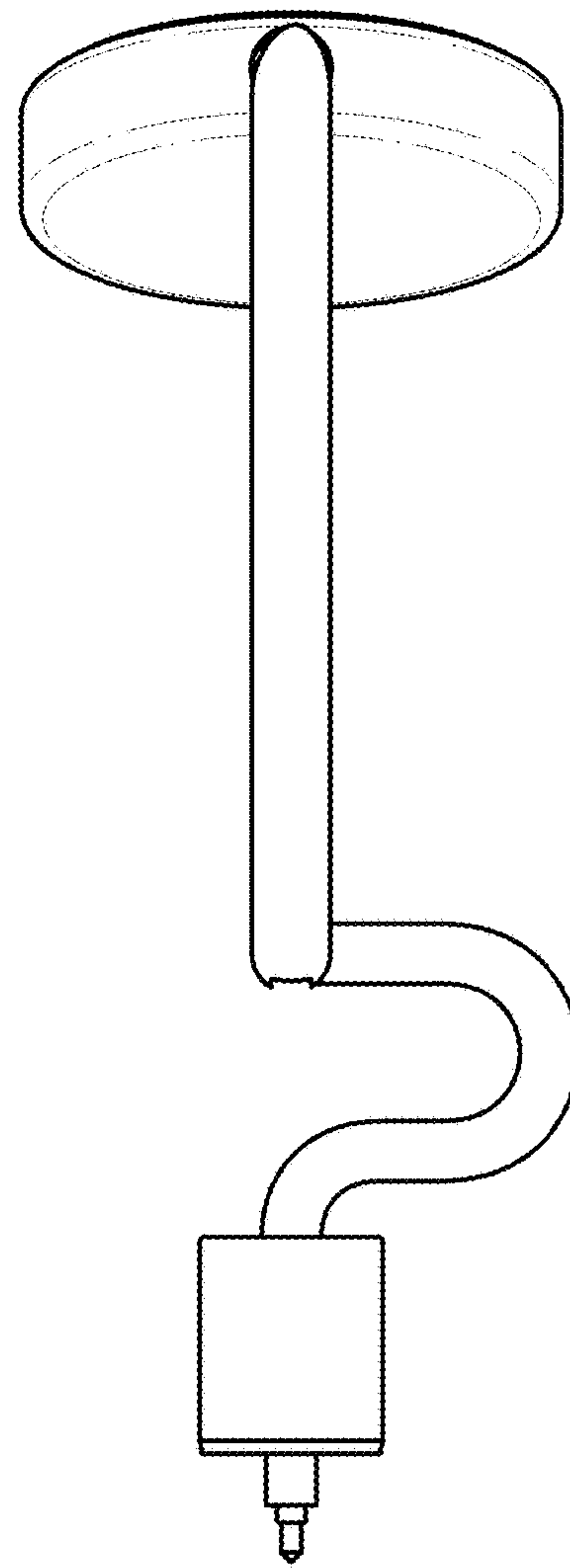


FIG. 3

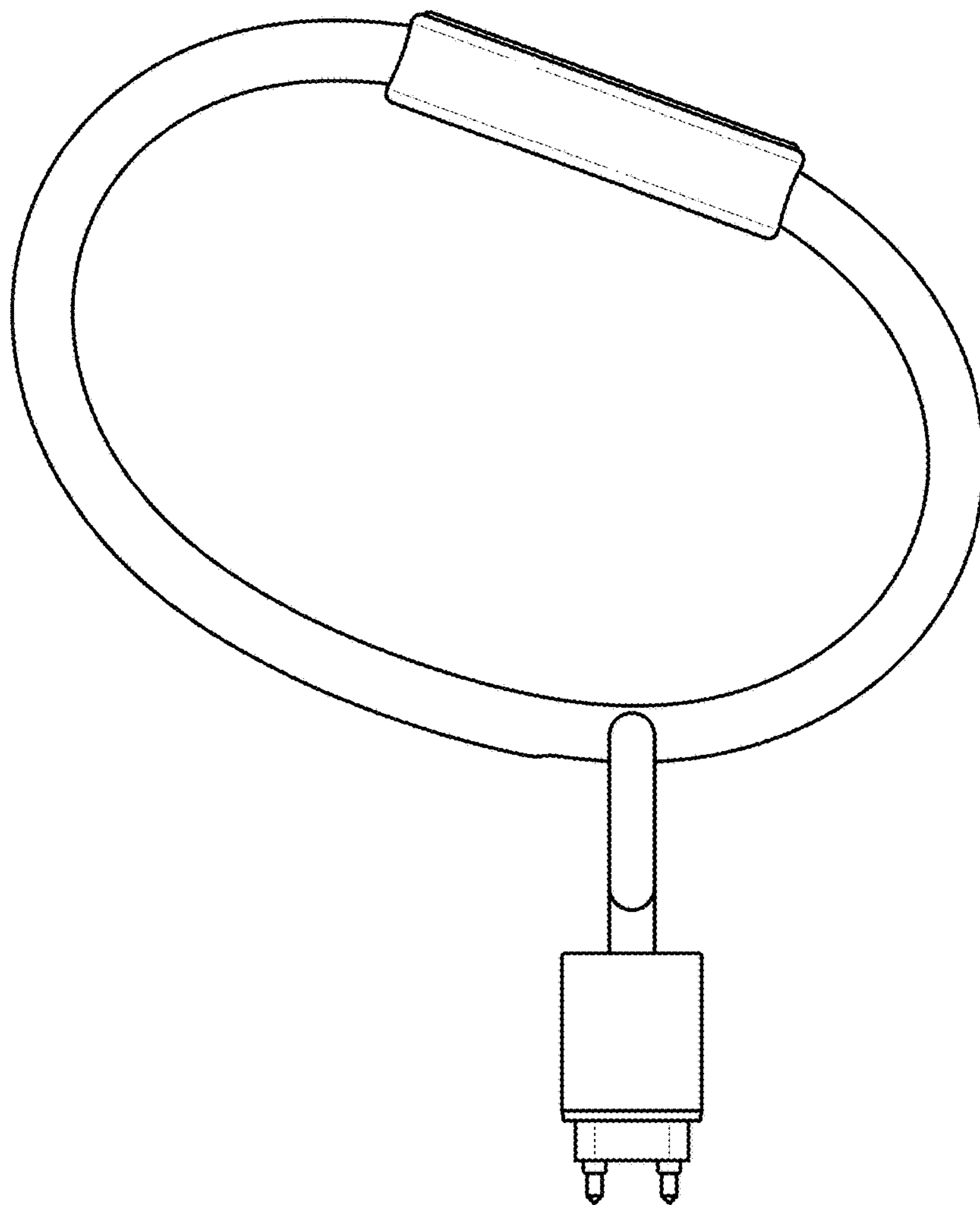


FIG. 4

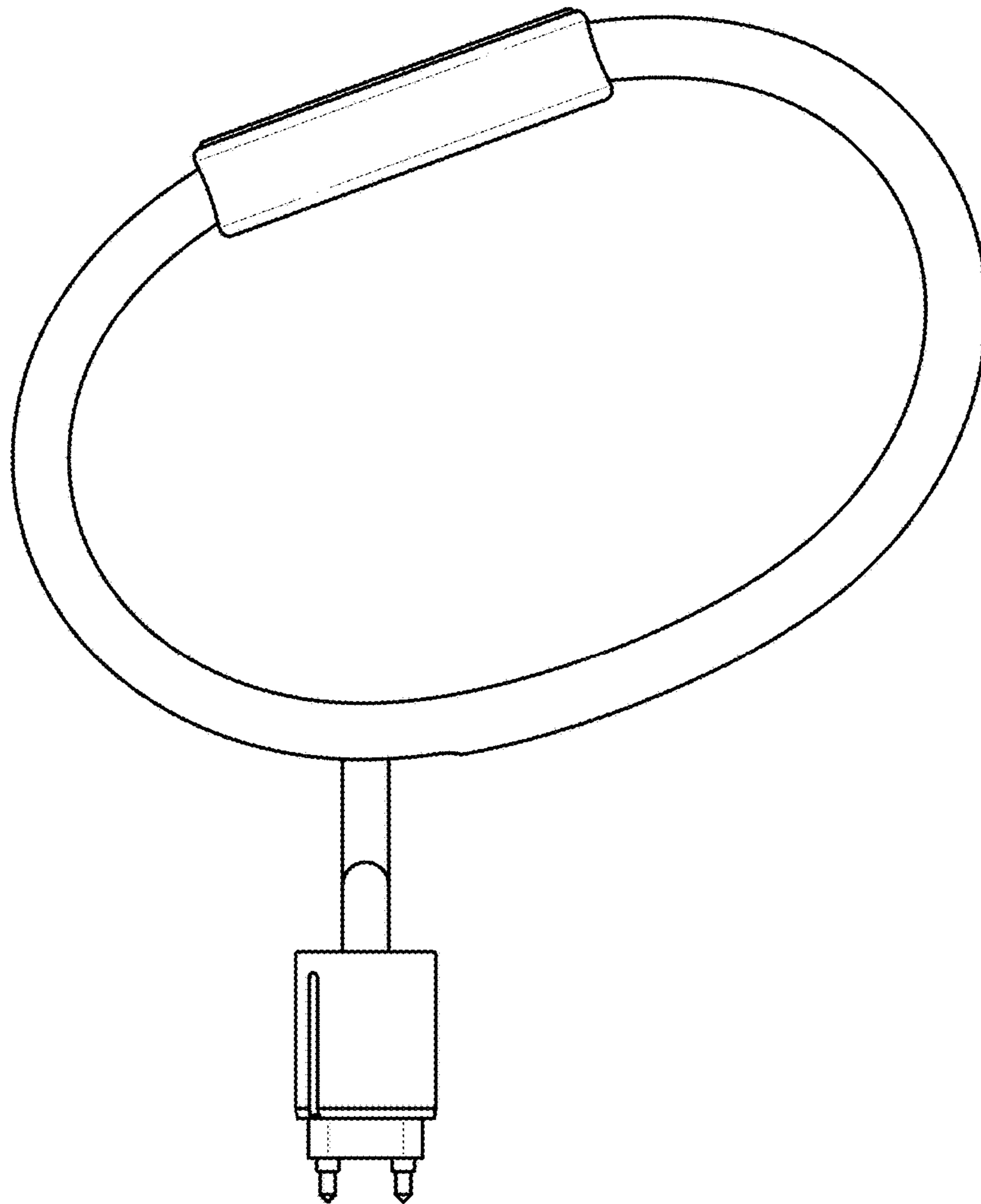


FIG. 5

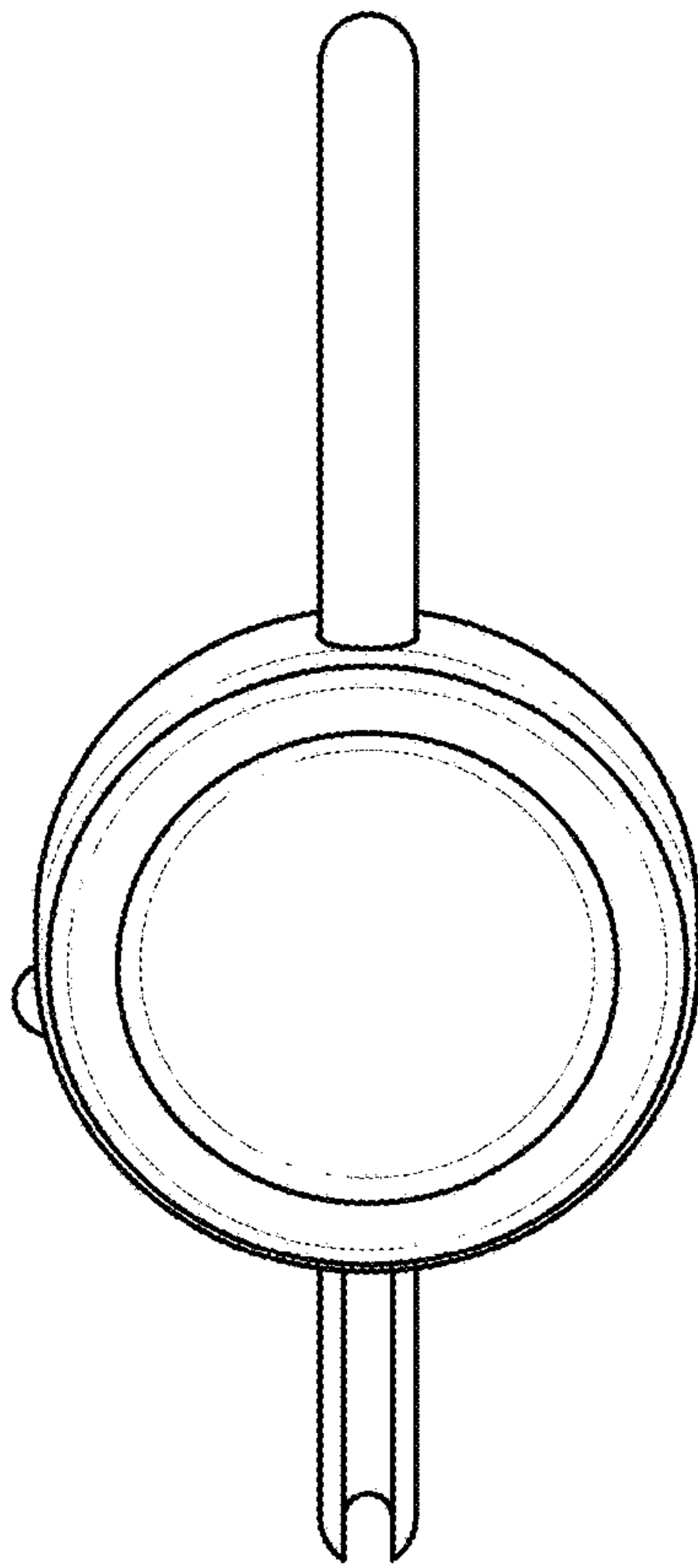


FIG. 6

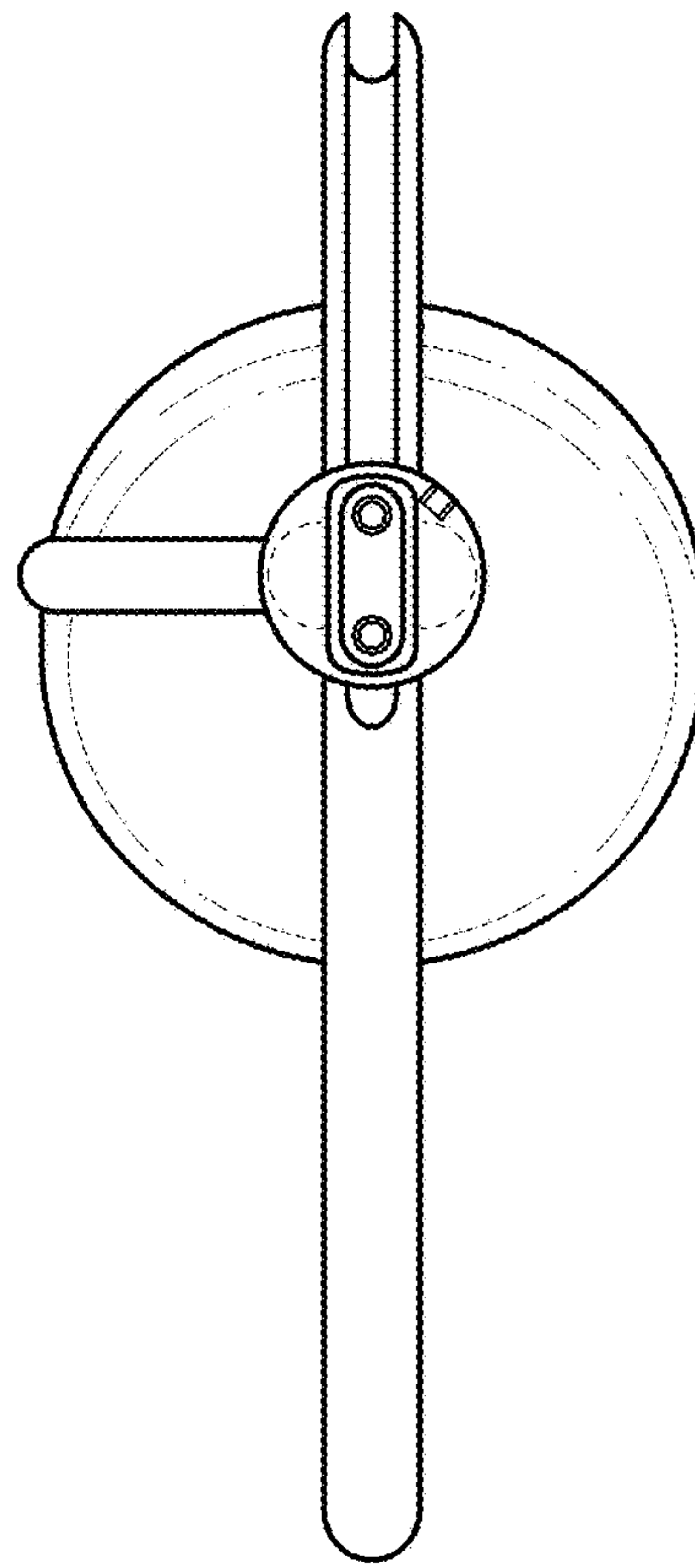


FIG. 7

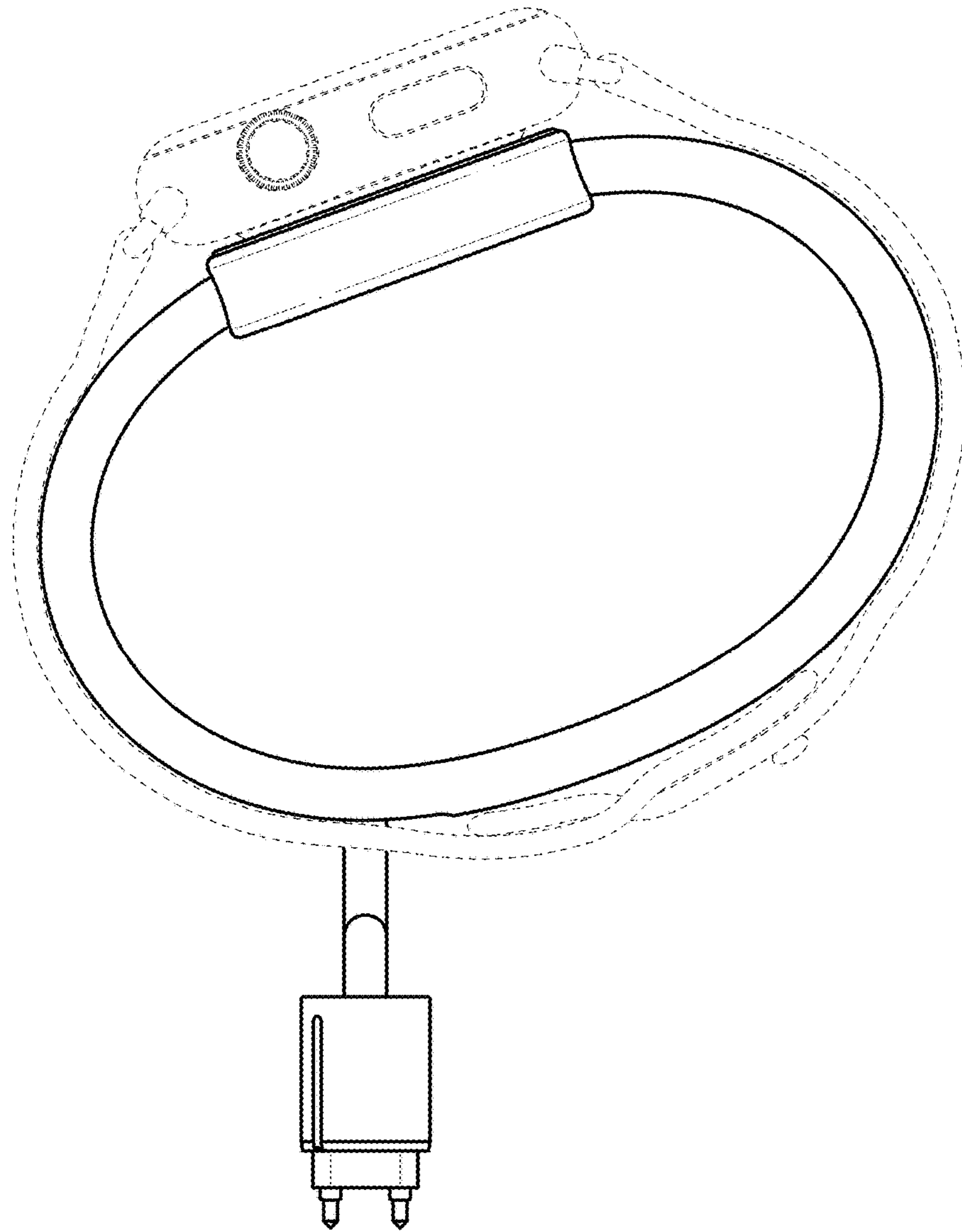


FIG. 8