



US00D838522S

(12) **United States Design Patent**
Sjoberg

(10) **Patent No.:** **US D838,522 S**

(45) **Date of Patent:** **** Jan. 22, 2019**

- (54) **SHELF COMPONENT**
- (71) Applicant: **HL Display AB**, Nacka Strand (SE)
- (72) Inventor: **Marten Sjoberg**, Stockholm (SE)
- (73) Assignee: **HL Display AB**, Nacka Strand (SE)
- (**) Term: **15 Years**
- (21) Appl. No.: **29/573,427**
- (22) Filed: **Aug. 5, 2016**
- (51) **LOC (11) Cl.** **06-06**
- (52) **U.S. Cl.**
USPC **D6/675.1**
- (58) **Field of Classification Search**
USPC D6/672, 673, 675, 675.1, 682, 683, 705,
D6/705.7, 706
CPC A47B 87/00; A47B 47/021; A47B 57/58;
A47B 57/54; A47B 96/00; A47B 96/02;
A47B 96/025
See application file for complete search history.

6,364,132 B1 * 4/2002 Feng A47B 57/586
211/184
D495,539 S * 9/2004 Sjoberg D6/706
D511,060 S * 11/2005 Linden D6/706
D543,054 S * 5/2007 Au G04D 7/009
D3/298
D550,070 S * 9/2007 Lucht D8/381
D660,360 S * 5/2012 Richter D20/10
D799,252 S * 10/2017 Coretti, Jr. D6/705
2002/0170866 A1 * 11/2002 Johnson A47F 1/126
211/59.3

* cited by examiner

Primary Examiner — Kelley A Donnelly

(74) *Attorney, Agent, or Firm* — Myers Bigel, P.A.

(57) **CLAIM**

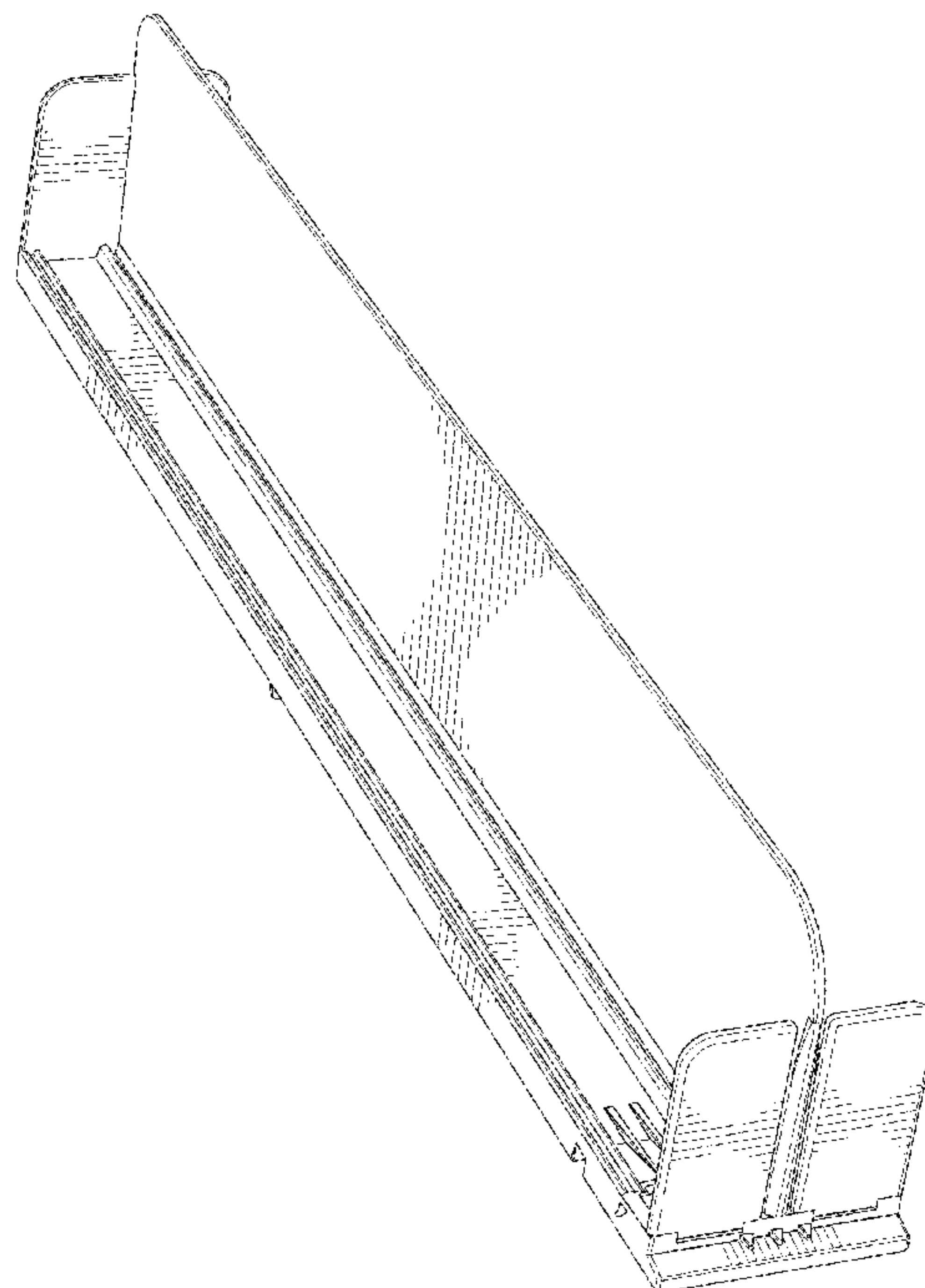
The ornamental design for shelf component, as shown and described.

DESCRIPTION

FIG. 1 is a front perspective view of an embodiment of a shelf component showing my design;
 FIG. 2 is a front view thereof;
 FIG. 3 is a back view thereof;
 FIG. 4 is a side view thereof;
 FIG. 5 is an opposing side view thereof;
 FIG. 6 is a top view thereof;
 FIG. 7 is a bottom view thereof; and,
 FIG. 8 is a perspective environmental view illustrating the shelf component.

1 Claim, 8 Drawing Sheets

- (56) **References Cited**
U.S. PATENT DOCUMENTS
1,322,791 A * 11/1919 Hormes A47F 7/02
206/561
3,002,632 A * 10/1961 Van A47F 7/144
211/184
5,803,276 A * 9/1998 Vogler A47F 5/005
108/60
6,098,821 A * 8/2000 Dube A47B 57/588
211/184
6,311,855 B1 * 11/2001 Ali A47F 5/005
211/133.6



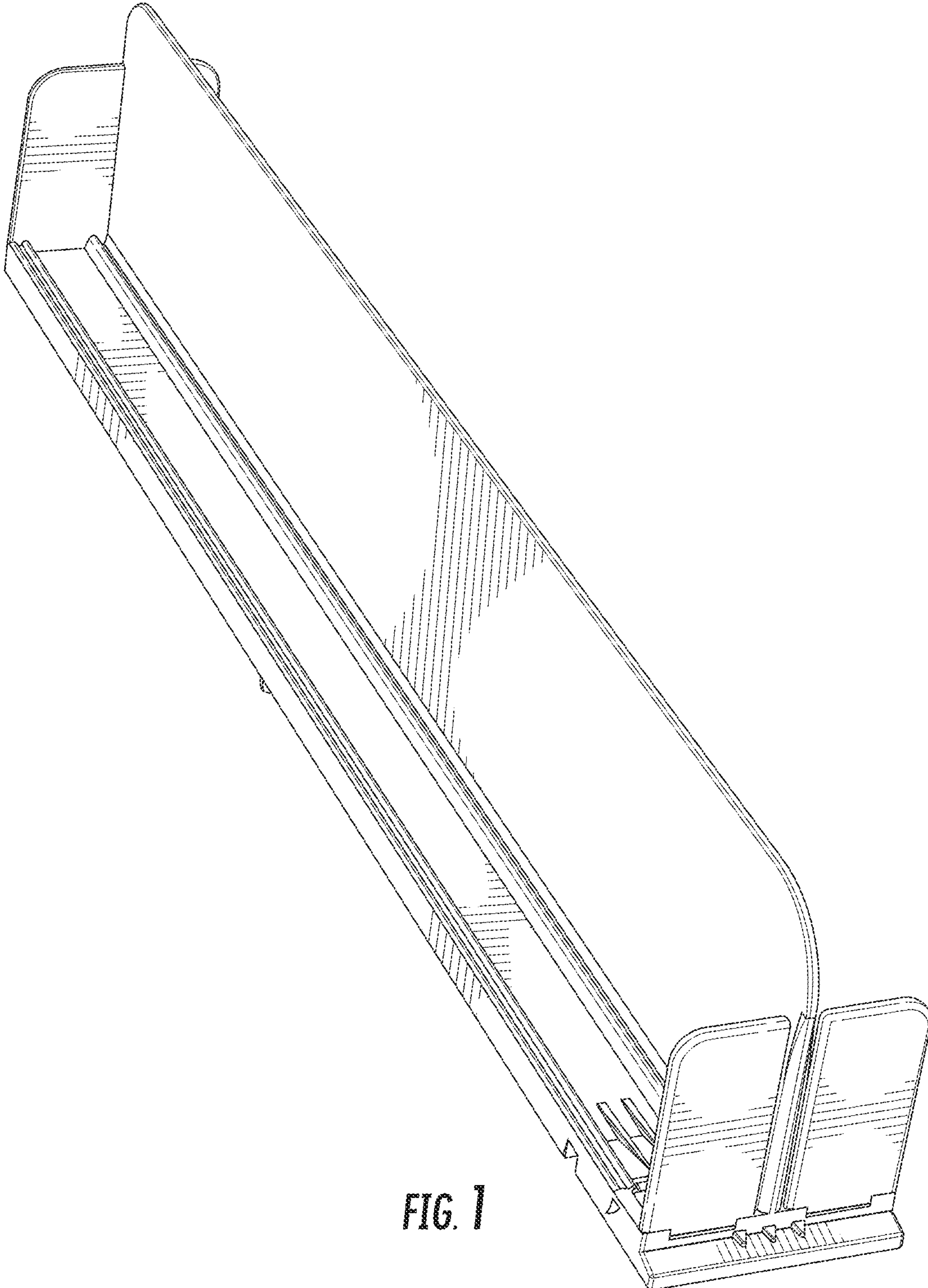


FIG. 1

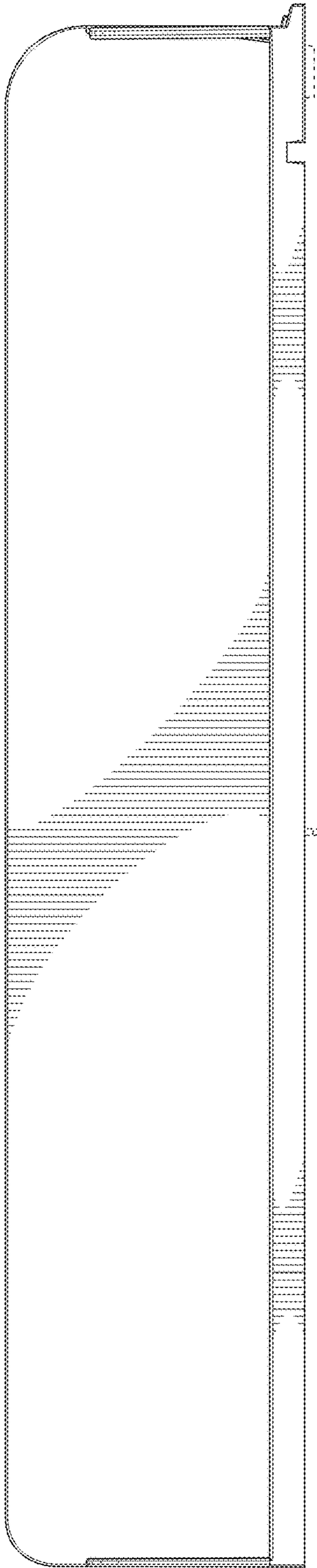


FIG. 2

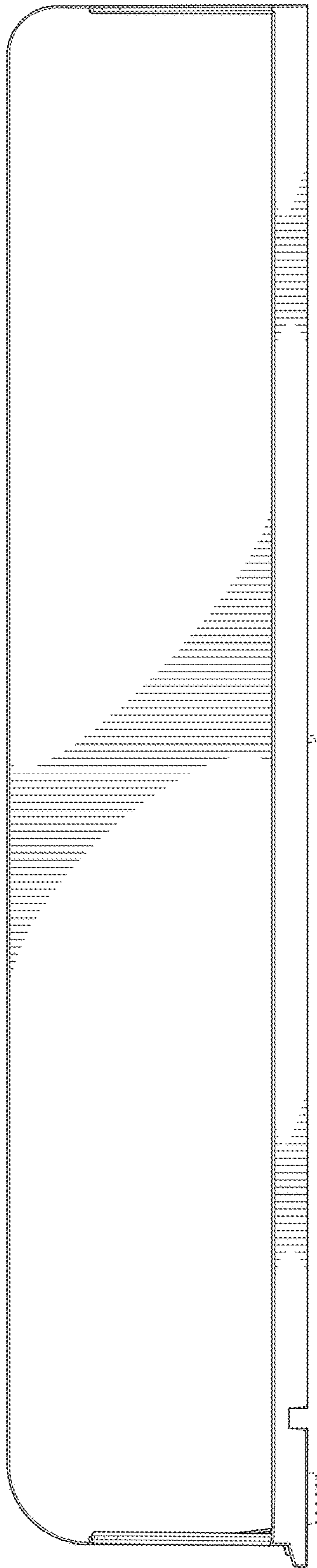


FIG. 3

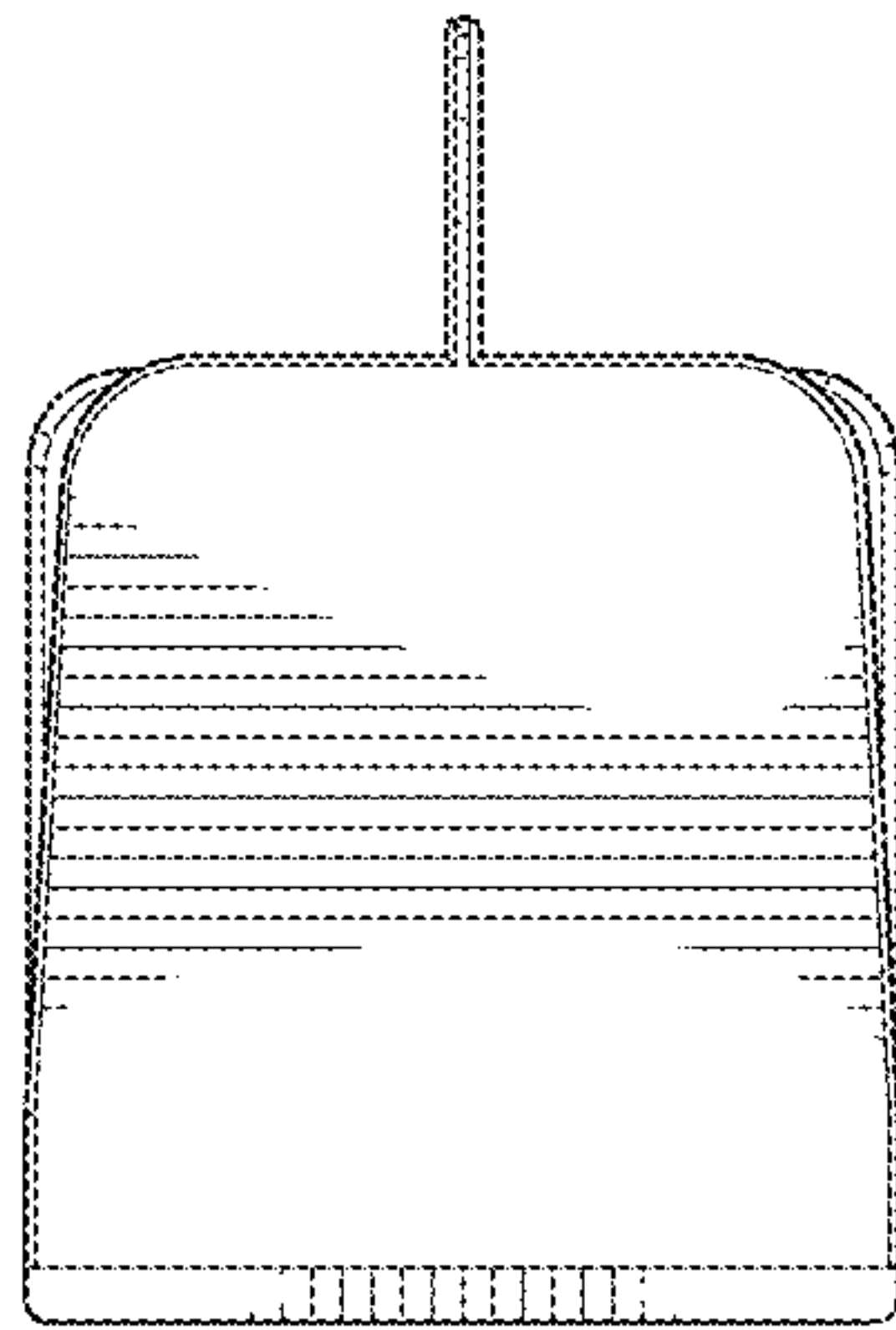


FIG. 4

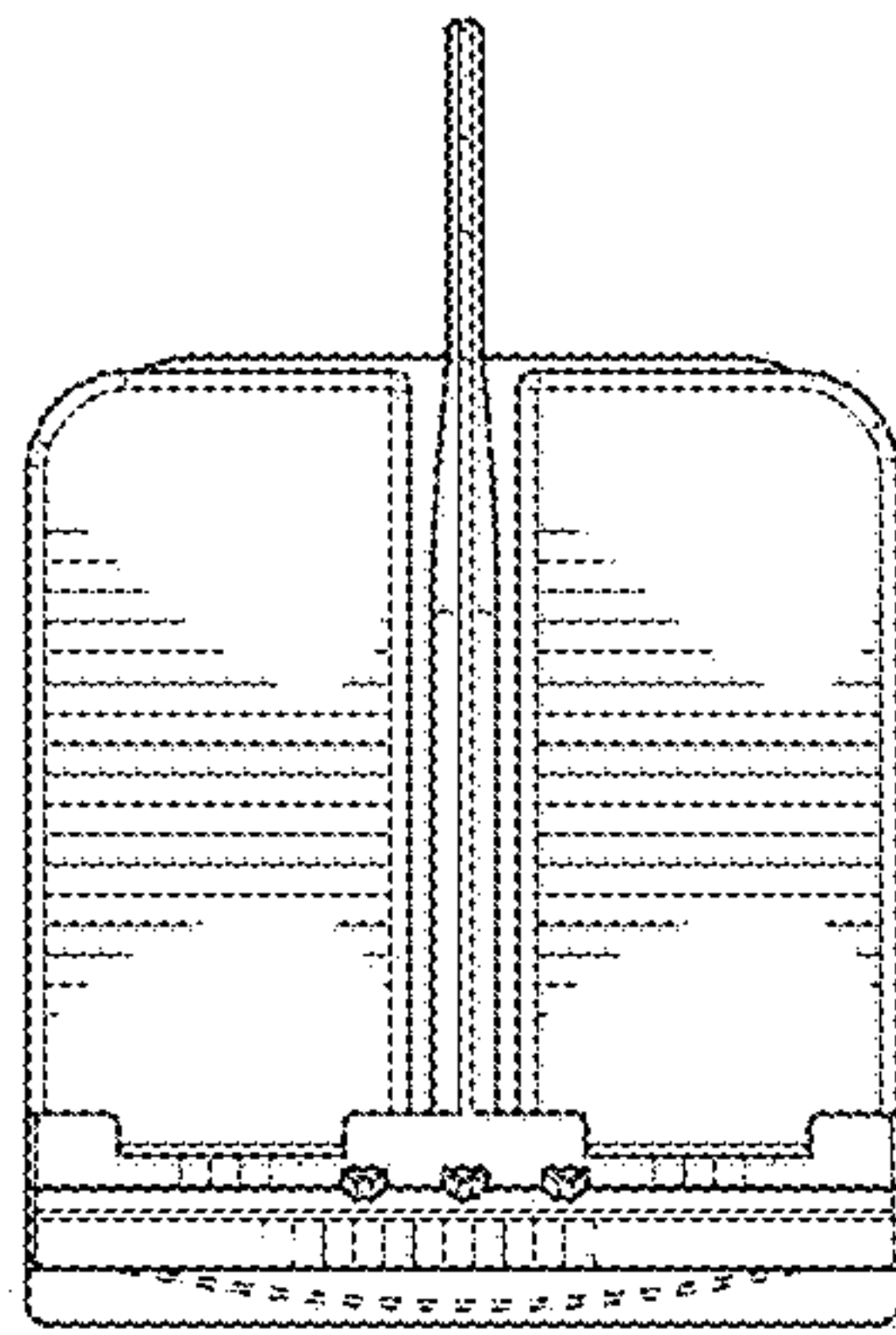


FIG. 5

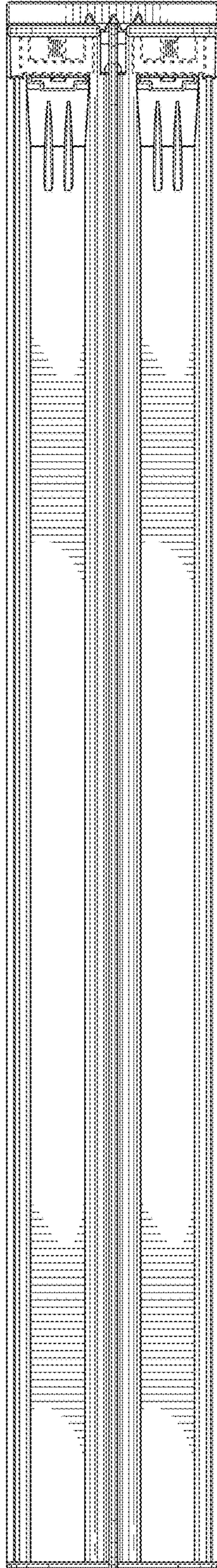


FIG. 6

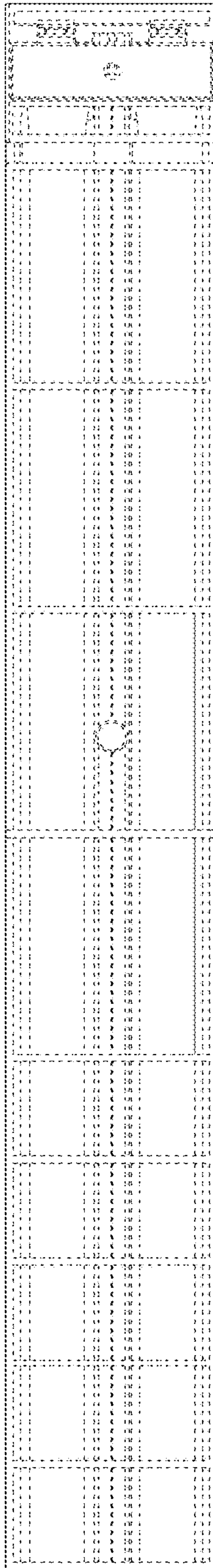


FIG. 7

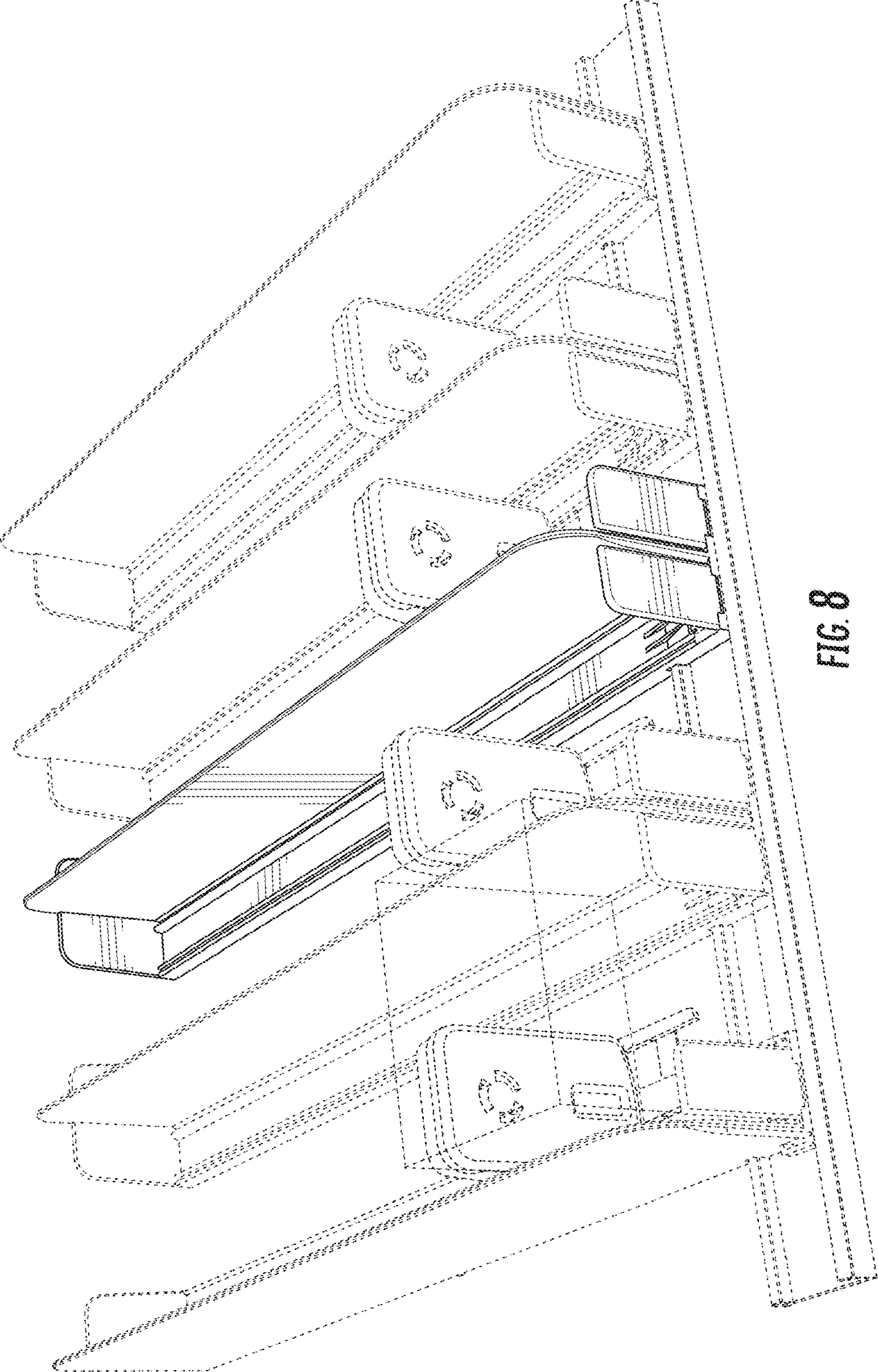


FIG. 8