



US00D838521S

(12) **United States Design Patent**
Goldmeier

(10) **Patent No.:** **US D838,521 S**

(45) **Date of Patent:** **** Jan. 22, 2019**

- (54) **GIFT WRAP ROLL DISPLAY**
- (71) Applicant: **Steven Goldmeier**, Plainview, NY (US)
- (72) Inventor: **Steven Goldmeier**, Plainview, NY (US)
- (**) Term: **15 Years**
- (21) Appl. No.: **29/584,849**
- (22) Filed: **Nov. 17, 2016**
- (51) **LOC (11) Cl.** **06-06**
- (52) **U.S. Cl.**
USPC **D6/672**
- (58) **Field of Classification Search**
USPC D6/672, 675, 675.1, 675.3, 675.4, 679,
D6/680, 680.2, 682, 682.1, 682.3, 682.4,
D6/683, 683.1
CPC .. B65D 5/503; B65D 5/20; B65D 5/36; A47F
5/0884; A47F 1/04; A47F 5/0025; A47F
5/0823; A47F 7/0021; A47F 5/112
See application file for complete search history.

- 6,123,197 A * 9/2000 Marquez B65D 25/02
206/225
- D485,707 S * 1/2004 Alarcon D6/310
- D486,321 S * 2/2004 Chandaria D6/682
- 6,698,589 B1 * 3/2004 Johnson A47B 81/005
206/391
- D488,642 S * 4/2004 Chandaria D6/682
- D494,384 S * 8/2004 Chandaria D6/682.2
- D496,541 S * 9/2004 Wang D6/682.2
- D497,272 S * 10/2004 Schultz D6/682.2

(Continued)

OTHER PUBLICATIONS

Anonymous, Gift Wrap Roll Display with threaded cables, 2016, 1 page.

(Continued)

Primary Examiner — John Windmuller
Assistant Examiner — Steven J Czyz
(74) *Attorney, Agent, or Firm* — Alfred M. Walker

(57) **CLAIM**

I claim the ornamental design for a gift wrap roll display, as shown and described.

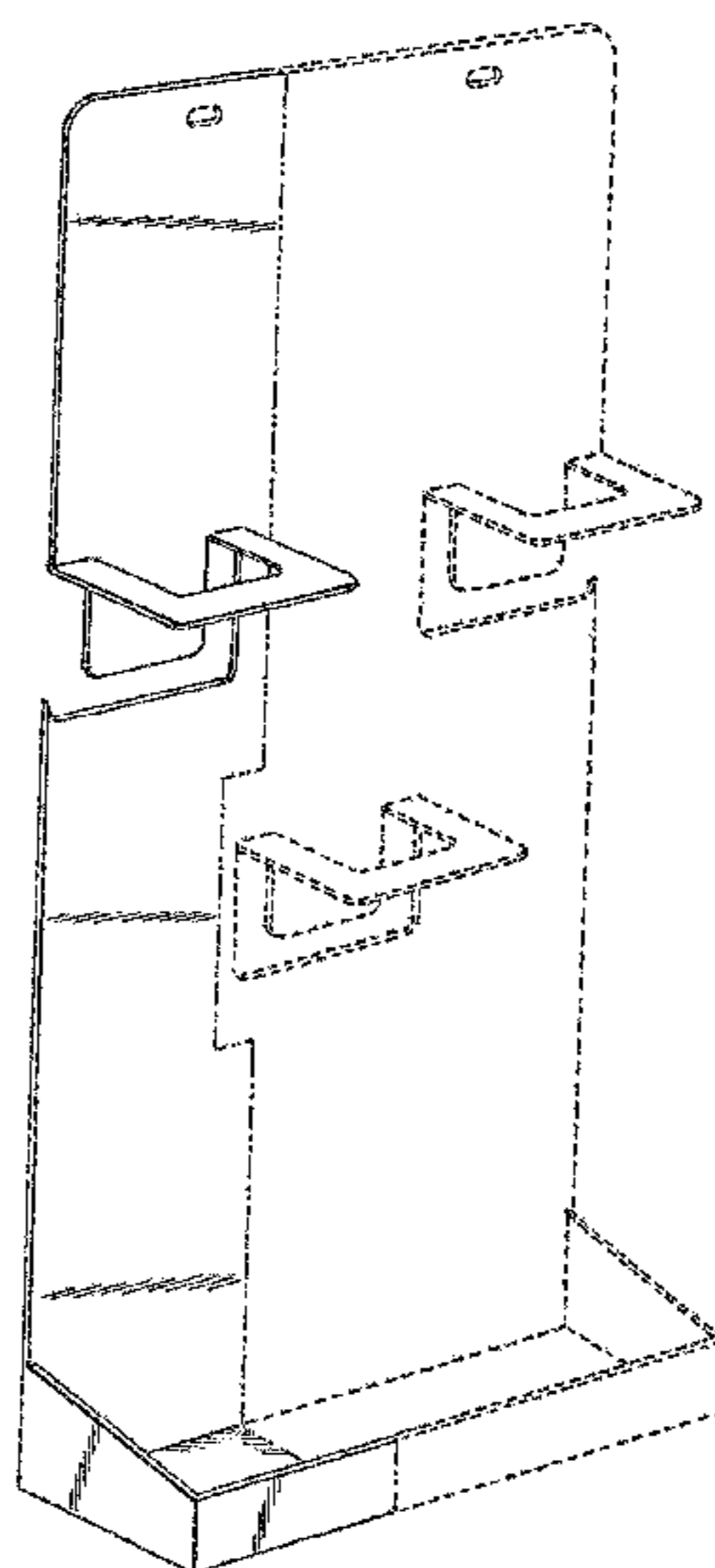
DESCRIPTION

FIG. 1 is a perspective view of a gift wrap roll display; FIG. 2 is a front elevation view thereof; FIG. 3 is a left side elevation view thereof; FIG. 4 is a top plan view thereof; FIG. 5 is a bottom view thereof; FIG. 6 is a rear elevation view thereof; and, FIG. 7 is a perspective view of the gift wrap roll display shown with environment. The broken lines depict portions of the article and environment that form no part of the claimed design. The dash-dot dot-dash line depict the boundary of the claim and form no part of the claimed design.

1 Claim, 5 Drawing Sheets

(56) **References Cited**
U.S. PATENT DOCUMENTS

- D119,320 S * 3/1940 Katcher et al. D6/682
- D167,820 S * 9/1952 Zel et al. 211/50
- 2,793,760 A * 5/1957 Zel A47F 5/13
211/130.1
- D204,434 S * 4/1966 Kingsford et al. D6/682.2
- D205,668 S * 9/1966 Magnuson et al. D6/682.2
- D233,086 S * 10/1974 Gismondi et al. D6/675
- D265,024 S * 6/1982 Johnson D6/672
- D267,682 S * 1/1983 Kates D6/675
- D274,491 S * 7/1984 Lietzke D6/672
- D296,283 S * 6/1988 Hardy D6/678.1
- D333,227 S * 2/1993 Horvath D6/682.4
- D349,202 S * 8/1994 Eliadis D6/672
- 5,443,168 A * 8/1995 Dymment A47F 5/116
211/149
- D364,513 S * 11/1995 Andrews D19/90
- 5,522,507 A * 6/1996 Cruz A61C 19/008
206/575



(56)

References Cited

U.S. PATENT DOCUMENTS

D502,822 S * 3/2005 Chandaria D6/682.2
 D525,807 S * 8/2006 Pinco D6/682
 D583,588 S * 12/2008 Maki D6/672
 7,500,574 B1 * 3/2009 Miller, III A47B 43/00
 211/106
 7,546,926 B2 * 6/2009 Stolle A47F 7/00
 211/10
 D597,766 S * 8/2009 Nealon D6/683
 7,584,854 B2 * 9/2009 Chandaria B65D 5/5038
 206/391
 D607,236 S * 1/2010 Bojie D6/672
 D621,639 S * 8/2010 Merrick D6/675.1
 D651,824 S * 1/2012 Hageman D6/683
 8,210,348 B1 * 7/2012 Chapman A47B 63/02
 206/391
 D679,521 S * 4/2013 Hamm D6/672
 8,915,381 B2 * 12/2014 Brozak A47F 7/0021
 108/61
 9,215,939 B2 * 12/2015 Zobel A47F 5/0823
 D786,677 S * 5/2017 Griffith D9/456
 D821,122 S * 6/2018 Wang D6/682

OTHER PUBLICATIONS

WebstaurantStore, Horizontal Gray 6 Roll Paper Cutter Rack,
<http://www.gotowebstore.com/188T62430>, 1 page.
 Halloween gift wrap display box, Small Wonders.co.uk—Small
 Wonders Miniatures, 2 pages.
s-media-cache-ak0.pinimg.com, 1 page.
img.papersale.net, roll_packed_wrappin . . . , Christmas 70cm × 3m,
 1 page.
 2012 GYY roll packed wrapping paper with display stand, www.papersale.net, 2 pages.
 TSD-C506 customized cardboard counter display box/printing cor-
 rugated paper box/corrugated p . . . , www.papersale.net, 2 pages.
 Gift wrapping paper floor display stand/paper display stand for
 greeting cards/floor display stand, www.papersale.net 2 pages.
 TSD-C113 Custom Christmas gift wrapping paper display/gift card
 display cardboard/paper gift . . . , www.papersale.net, 3 pages.
cdn.homedit.com/2814/08/wrapping-paper-door-storage.jpg, 1 page.

* cited by examiner

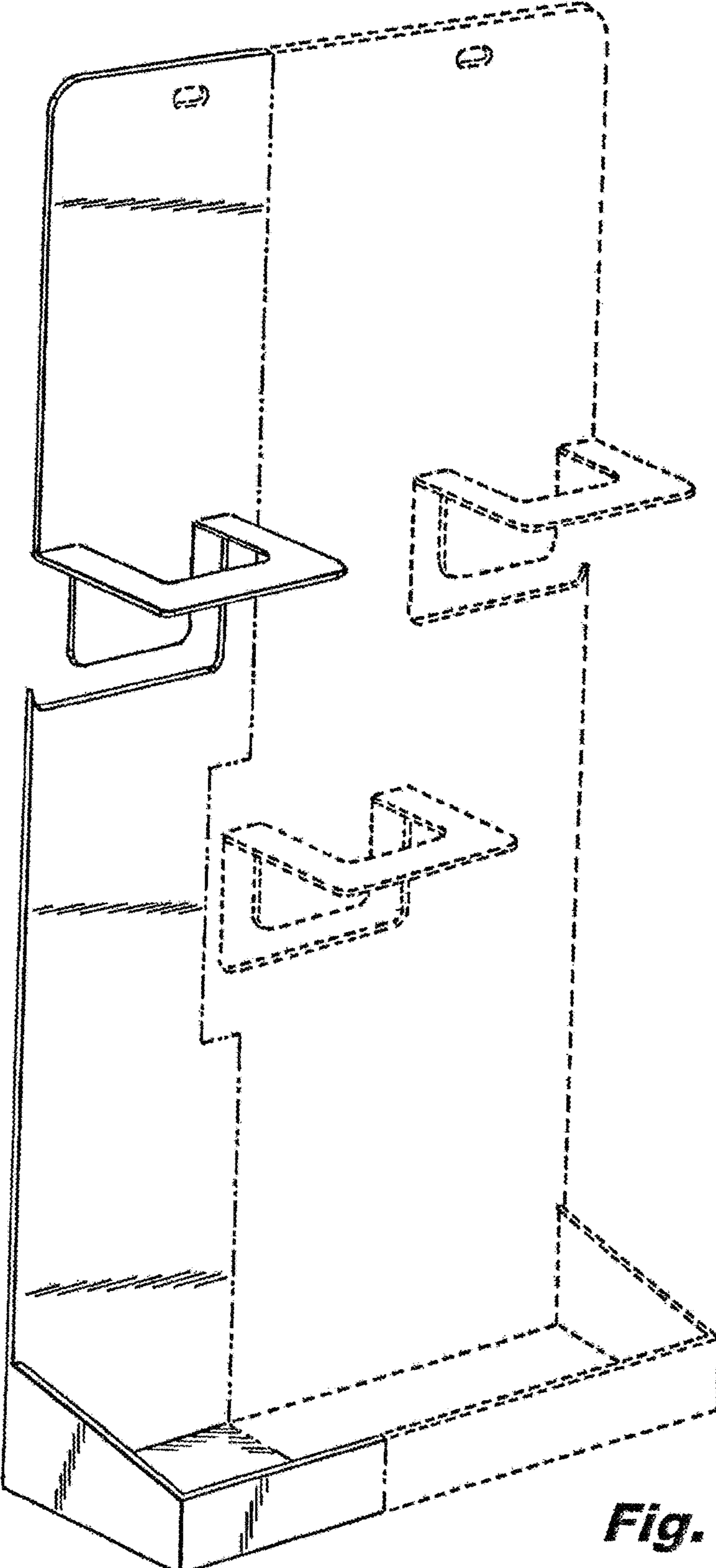


Fig. 1

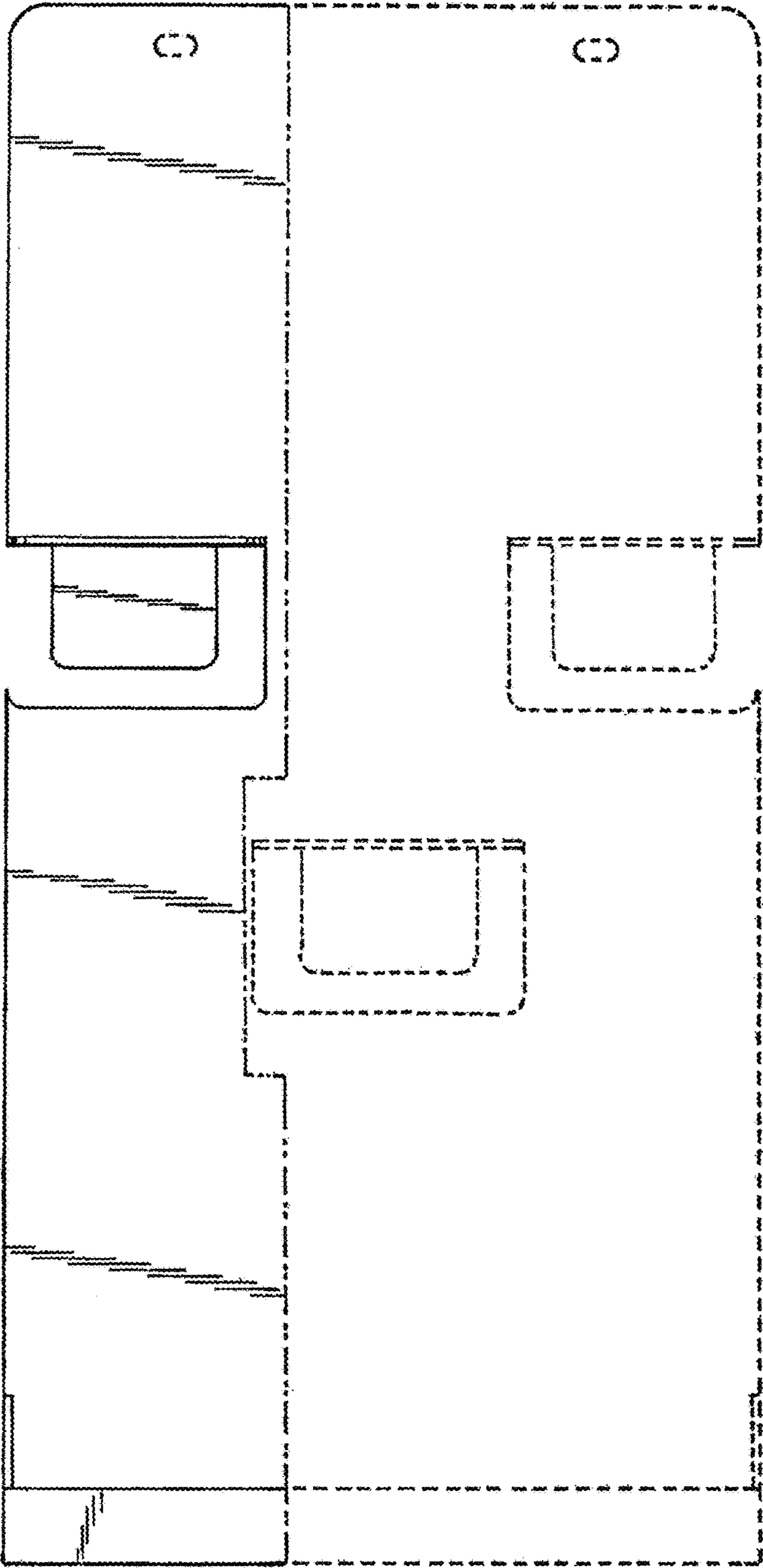


Fig. 2

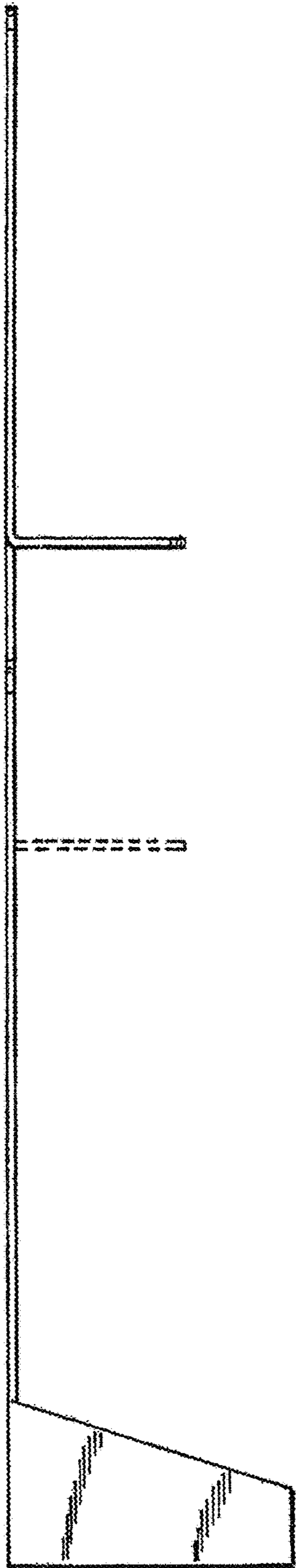


Fig. 3

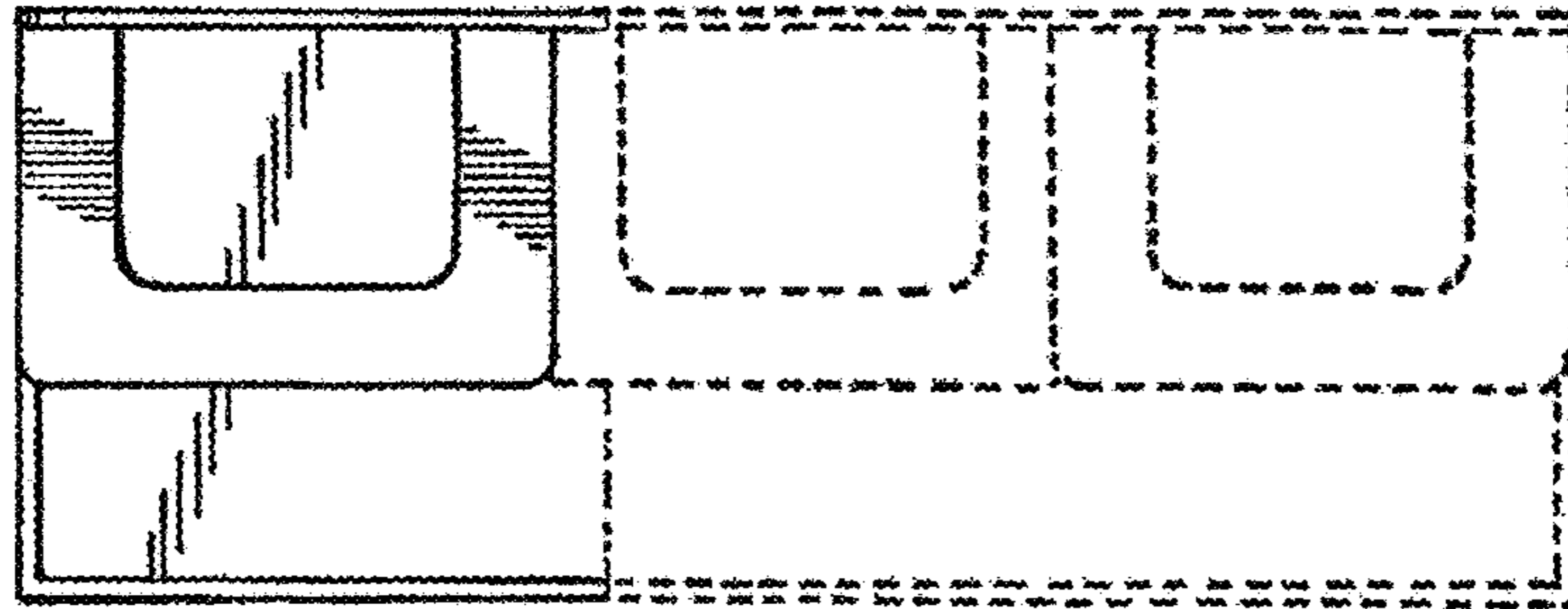


Fig. 4

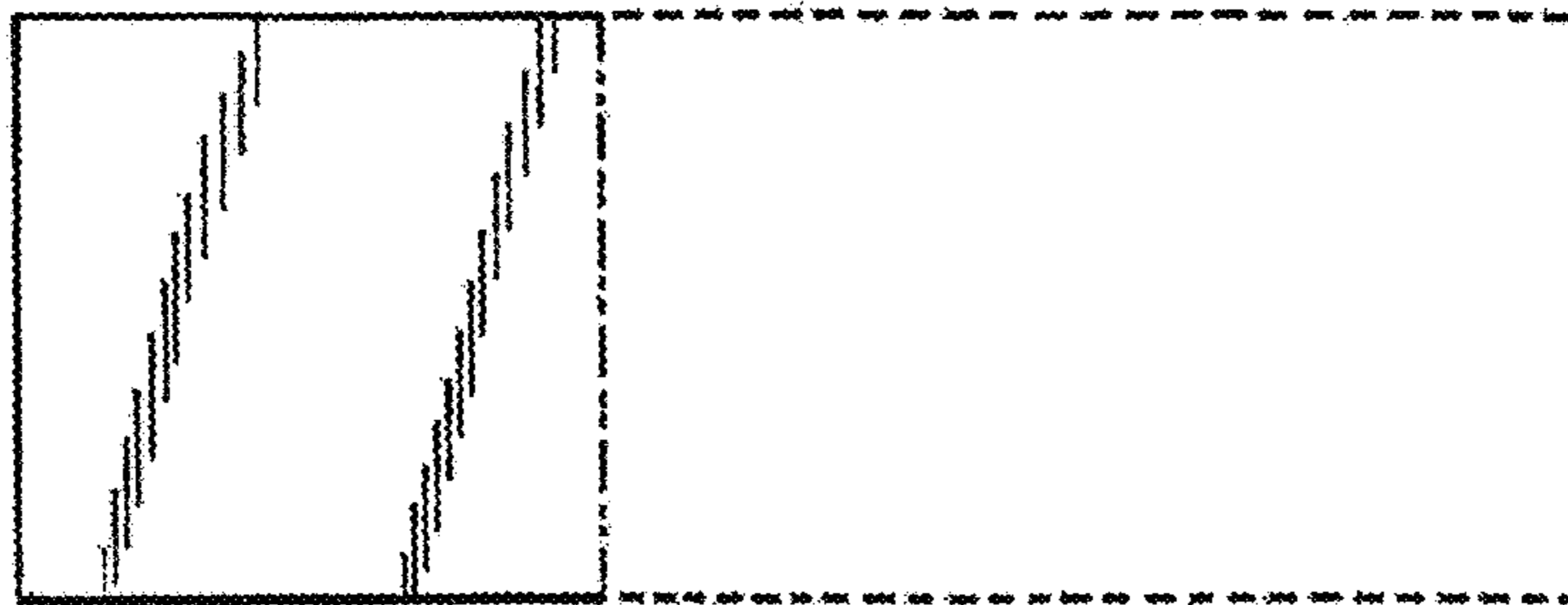


Fig. 5

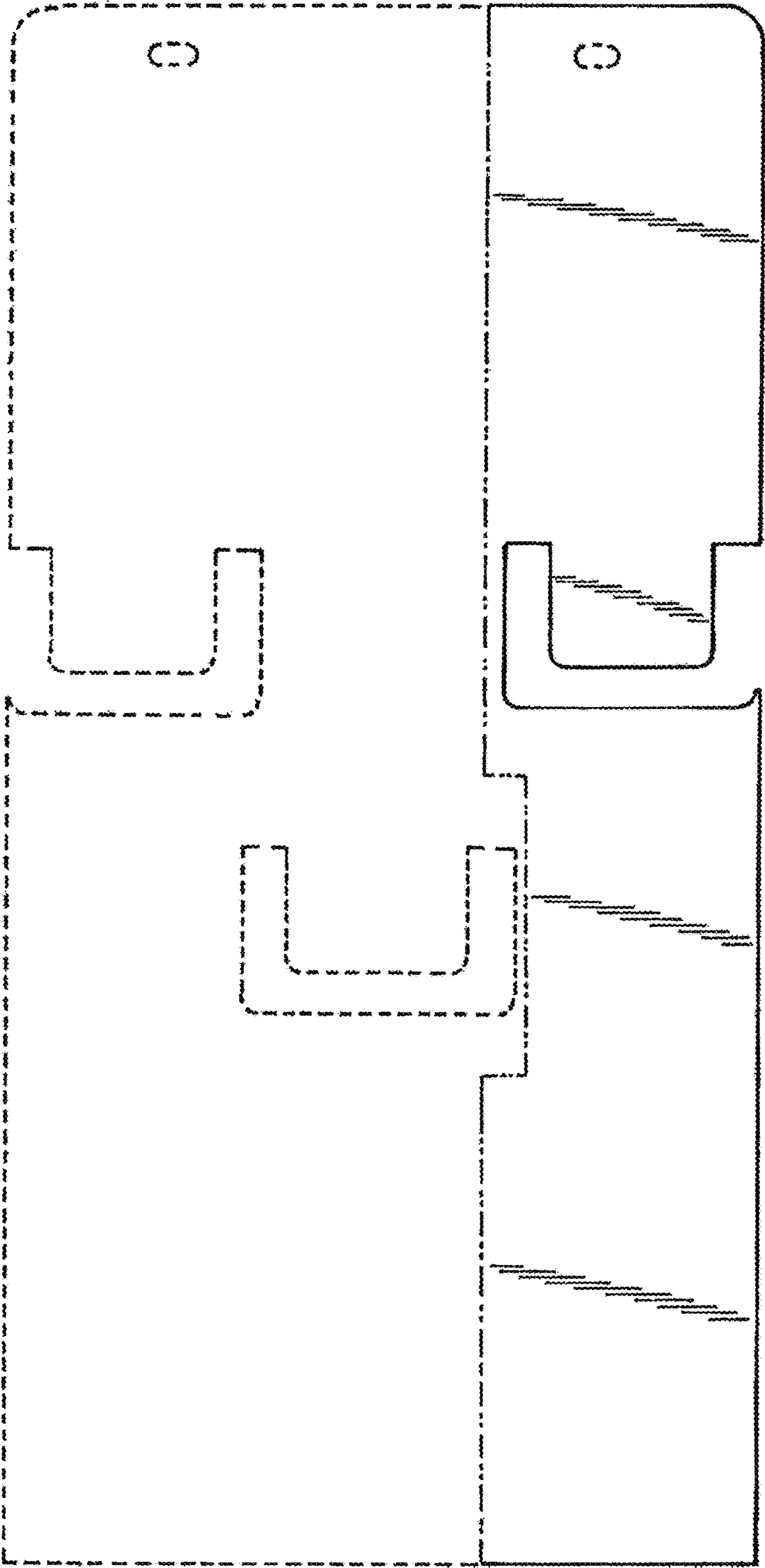


Fig. 6

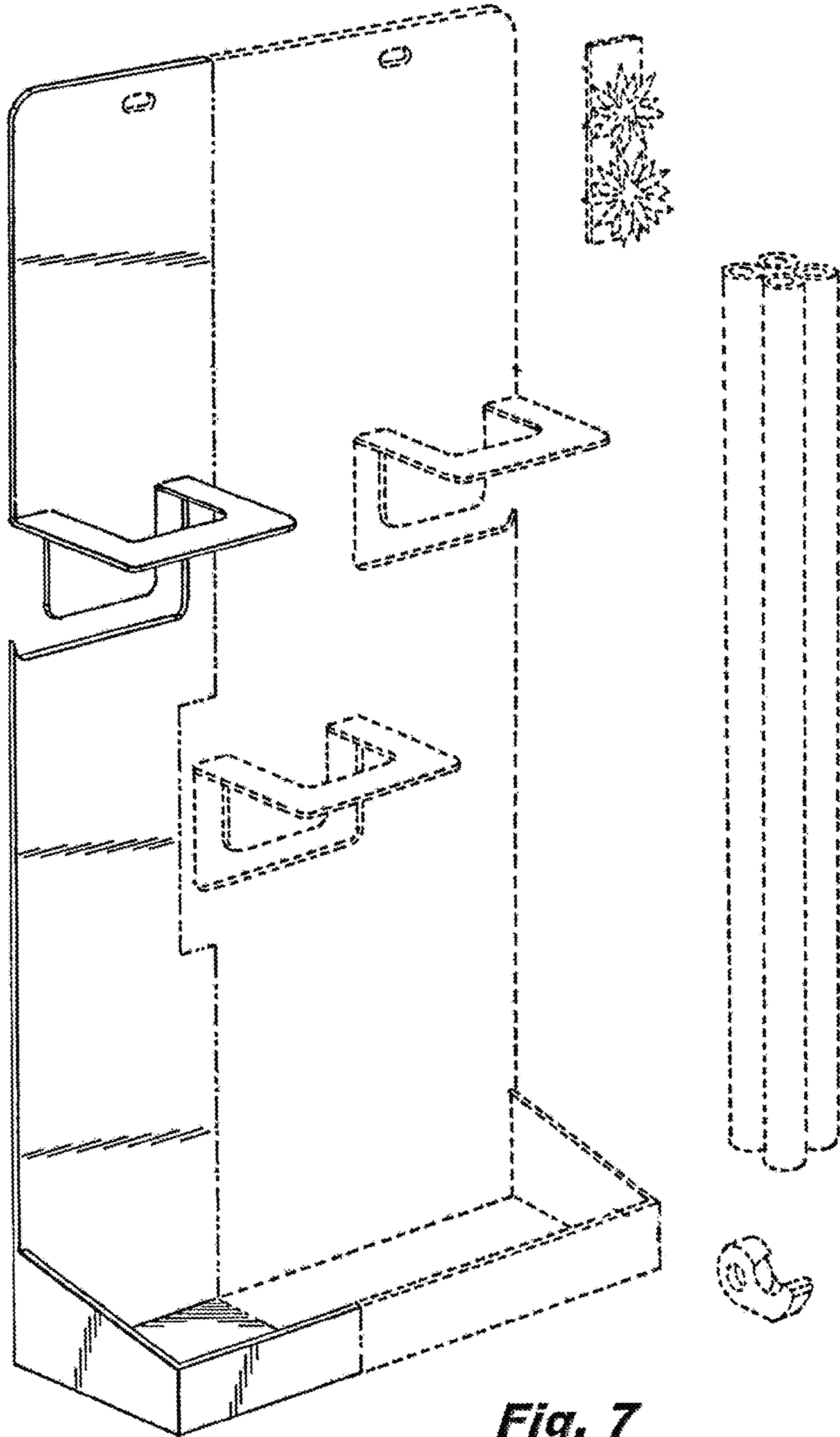


Fig. 7