



US00D838520S

(12) **United States Design Patent**
Knox

(10) **Patent No.:** **US D838,520 S**
(45) **Date of Patent:** **** Jan. 22, 2019**

(54) **CABINET**

(71) Applicant: **Williams-Sonoma, Inc.**, San Francisco, CA (US)

(72) Inventor: **August Knox**, Brooklyn, NY (US)

(73) Assignee: **Williams-Sonoma, Inc.**, San Francisco, CA (US)

(**) Term: **15 Years**

(21) Appl. No.: **29/618,624**

(22) Filed: **Sep. 22, 2017**

(51) **LOC (11) Cl.** **06-04**

(52) **U.S. Cl.**
USPC **D6/671.2**

(58) **Field of Classification Search**
USPC D3/296, 297; D6/641, 654, 657, 663, 664, 664.1, 668, 668.1, 668.2, 671, 671.1-671.4, 673, 674, 675, 675.1-675.5, 699
CPC A47B 17/04; A47B 47/03; A47B 63/00; A47B 67/00; A47B 67/04; A47B 88/00; A47B 88/40; A47B 2220/03

See application file for complete search history.

(56) **References Cited**

U.S. PATENT DOCUMENTS

D440,071 S * 4/2001 Hutton D6/671.1
D440,074 S * 4/2001 Hutton D6/671.1
D532,992 S * 12/2006 Kingsley D6/668.2

D772,614 S * 11/2016 Liu D6/668.2
D774,330 S * 12/2016 Everson D6/671.1
D790,888 S * 7/2017 Everson D6/671.1
D790,890 S * 7/2017 Everson D6/671.1
D813,573 S * 3/2018 Hannoosh D6/671
D815,465 S * 4/2018 Hannoosh D6/657

OTHER PUBLICATIONS

Greta, posted at Youtube.com, posted on Mar. 7, 2018, site visited Nov. 6, 2018. online, available from internet: <https://www.youtube.com/watch?v=yBOqBhlv9ls> (Year: 2018).*

* cited by examiner

Primary Examiner — Mary Ann Calabrese

Assistant Examiner — Catherine Ho

(74) *Attorney, Agent, or Firm* — Cook Alex Ltd.; R. Blake Johnston

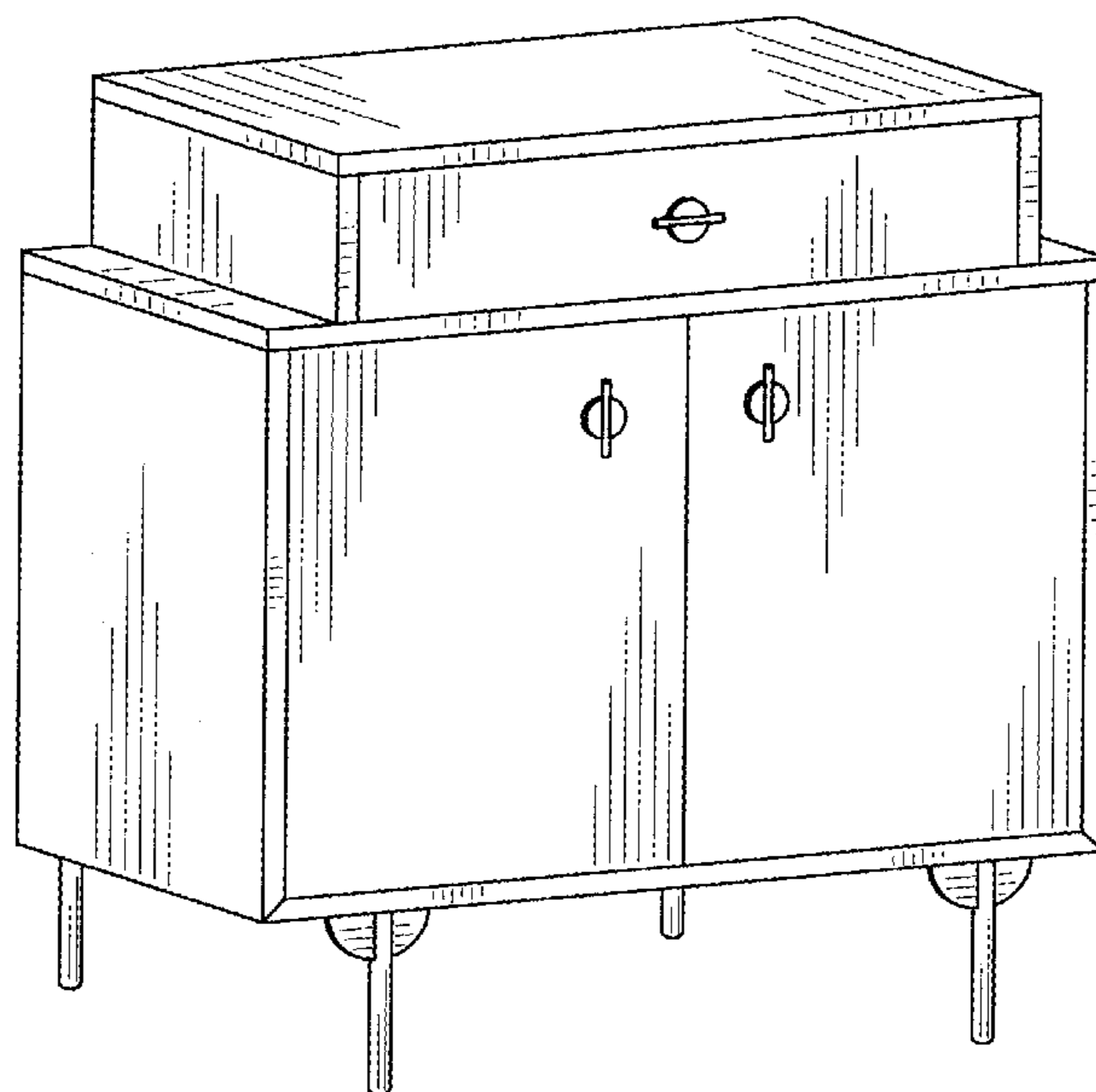
(57) **CLAIM**

The ornamental design for a cabinet, as shown and described.

DESCRIPTION

FIG. 1 is a perspective view of the cabinet;
FIG. 2 is a front elevational view of the cabinet;
FIG. 3 is a rear elevational view of the cabinet;
FIG. 4 is a left side elevational view of the cabinet, the opposite side of which is a mirror image;
FIG. 5 is a top plan view of the cabinet; and,
FIG. 6 is a bottom plan view of the cabinet.

1 Claim, 4 Drawing Sheets



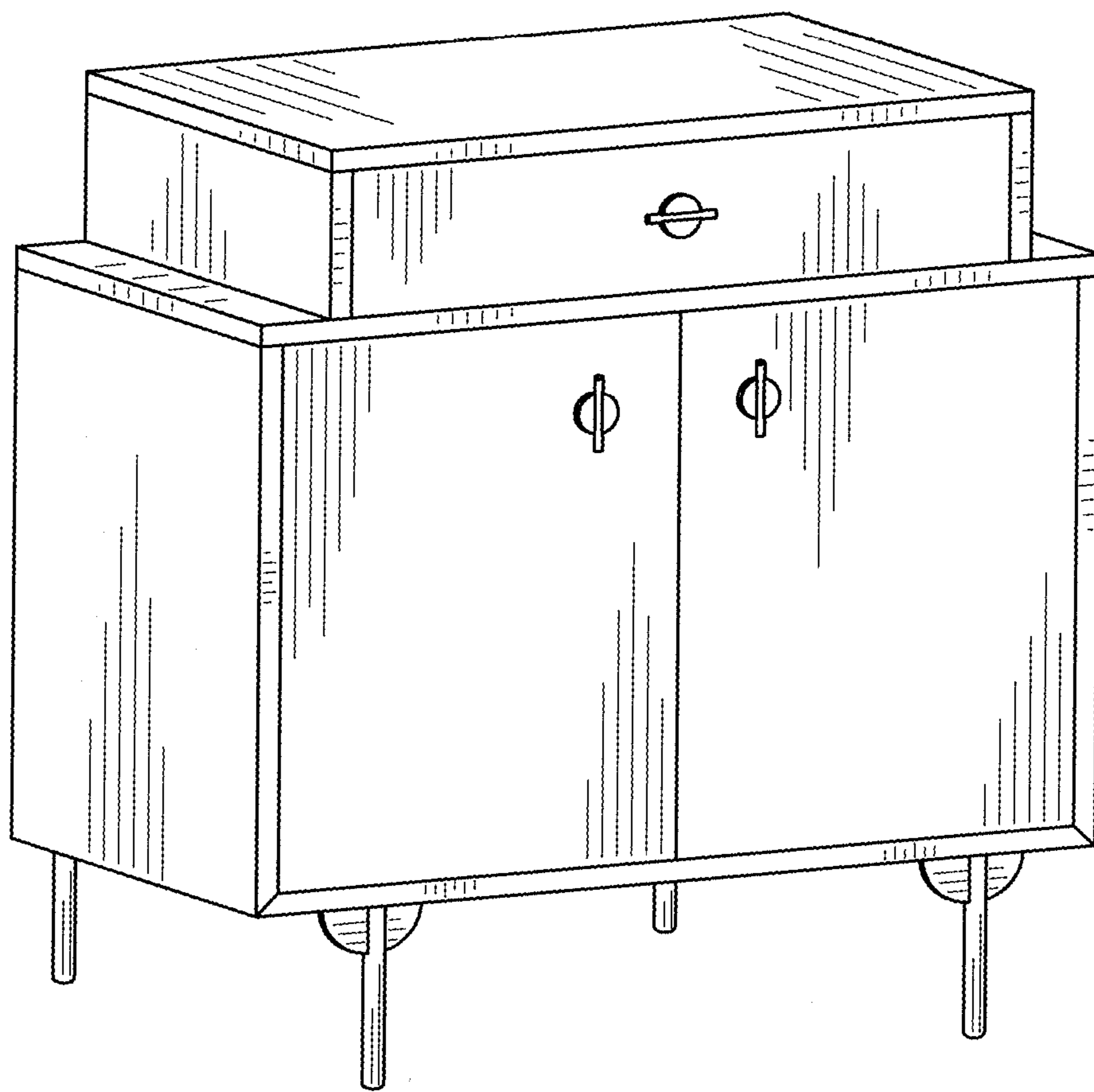


FIG. 1

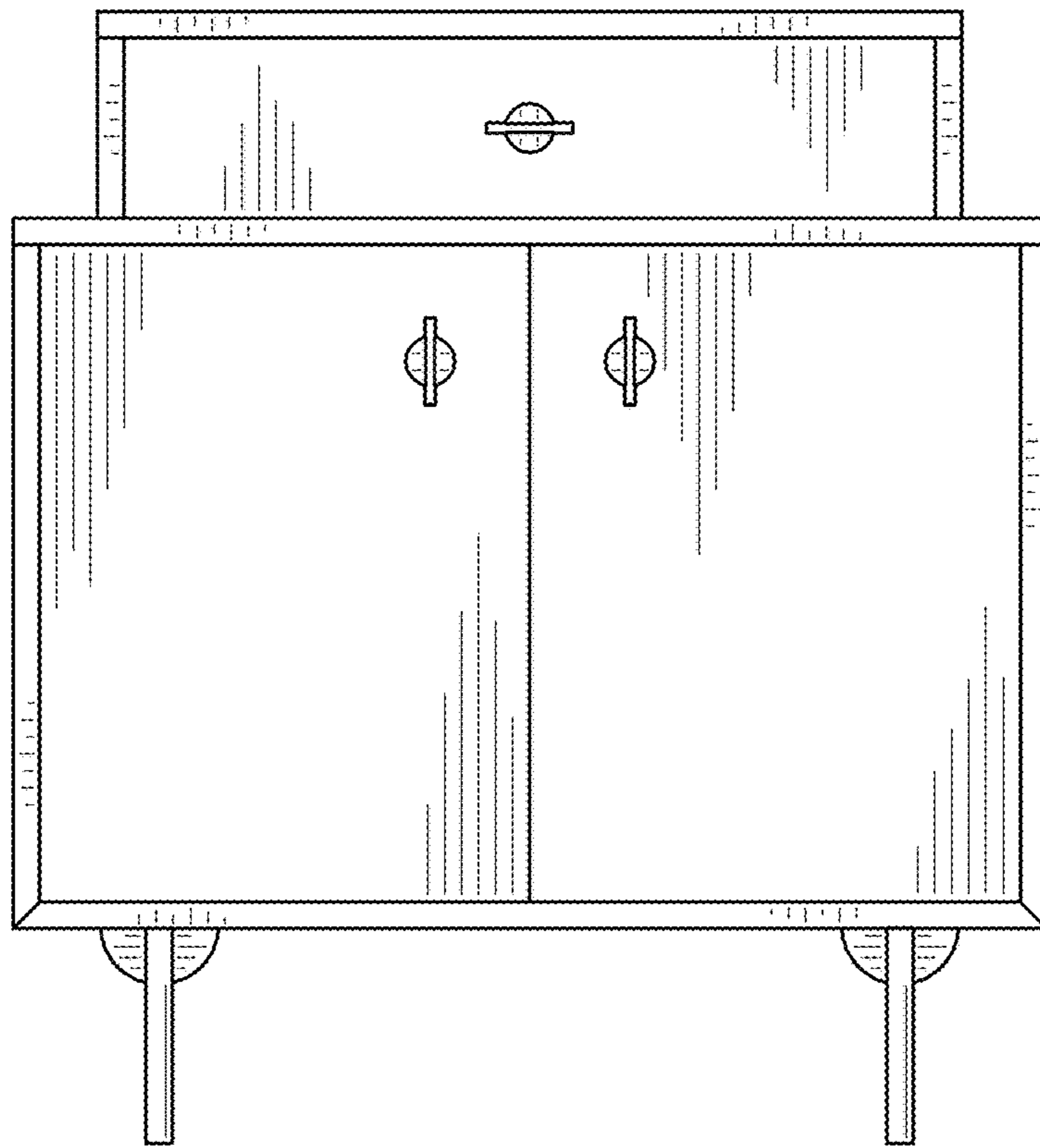


FIG. 2

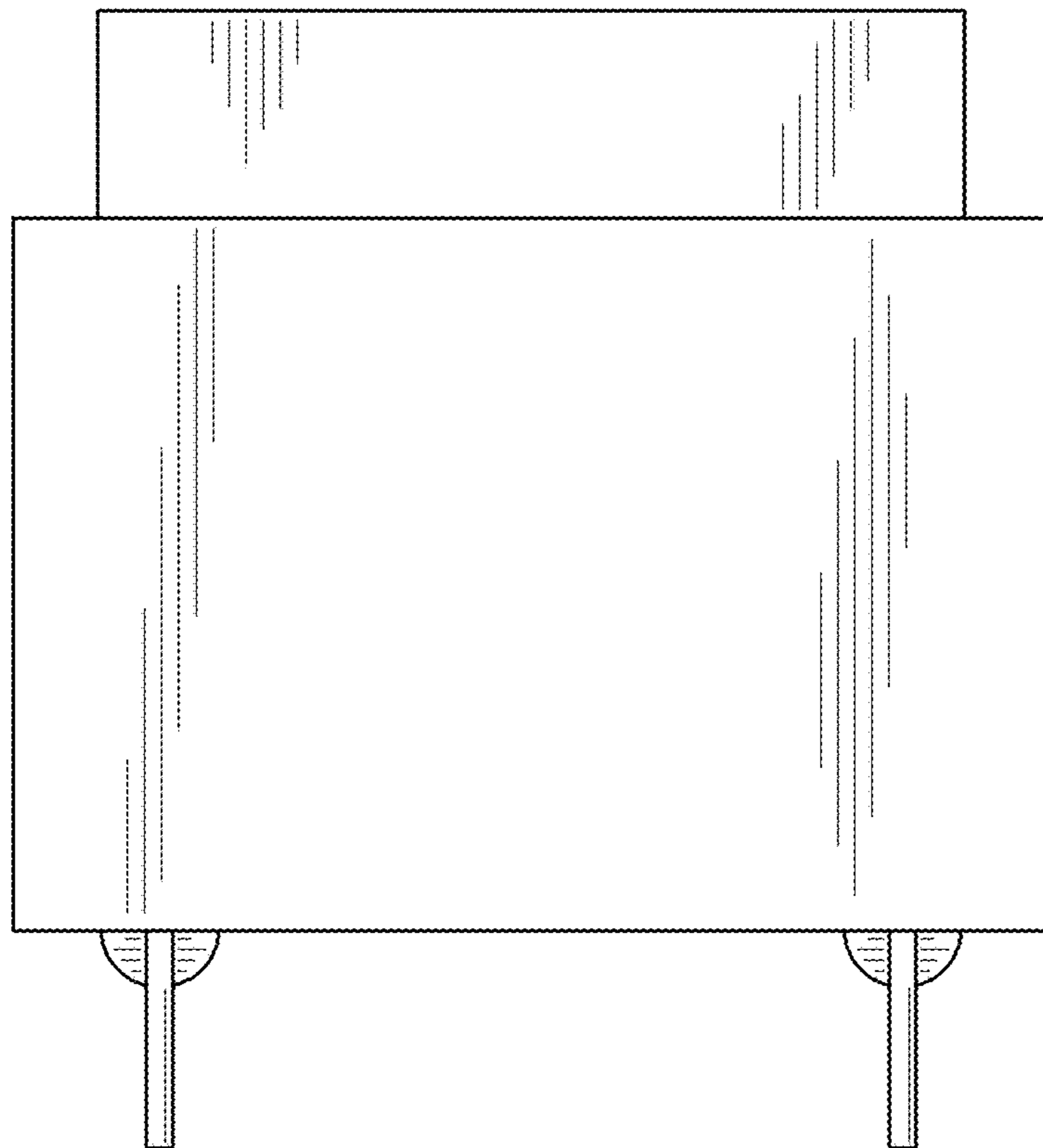


FIG. 3

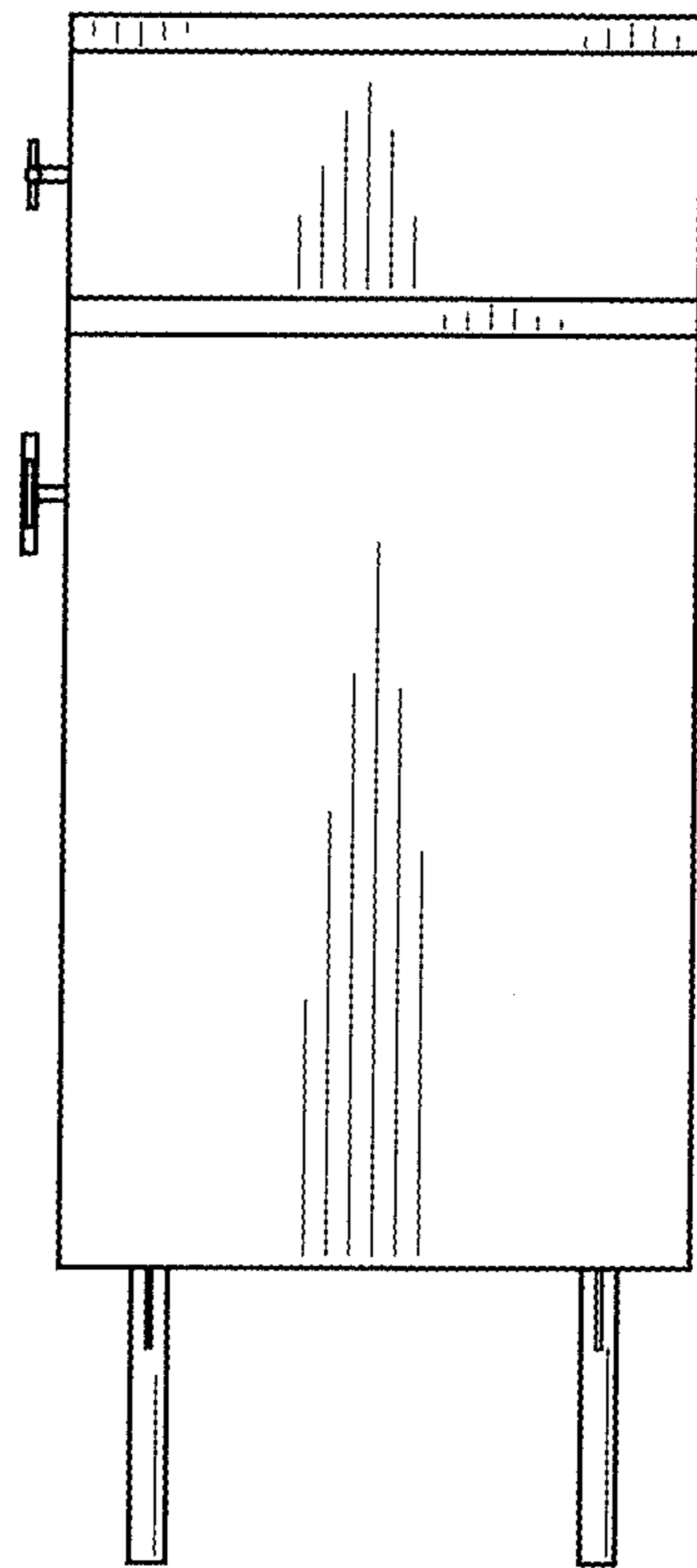


FIG. 4

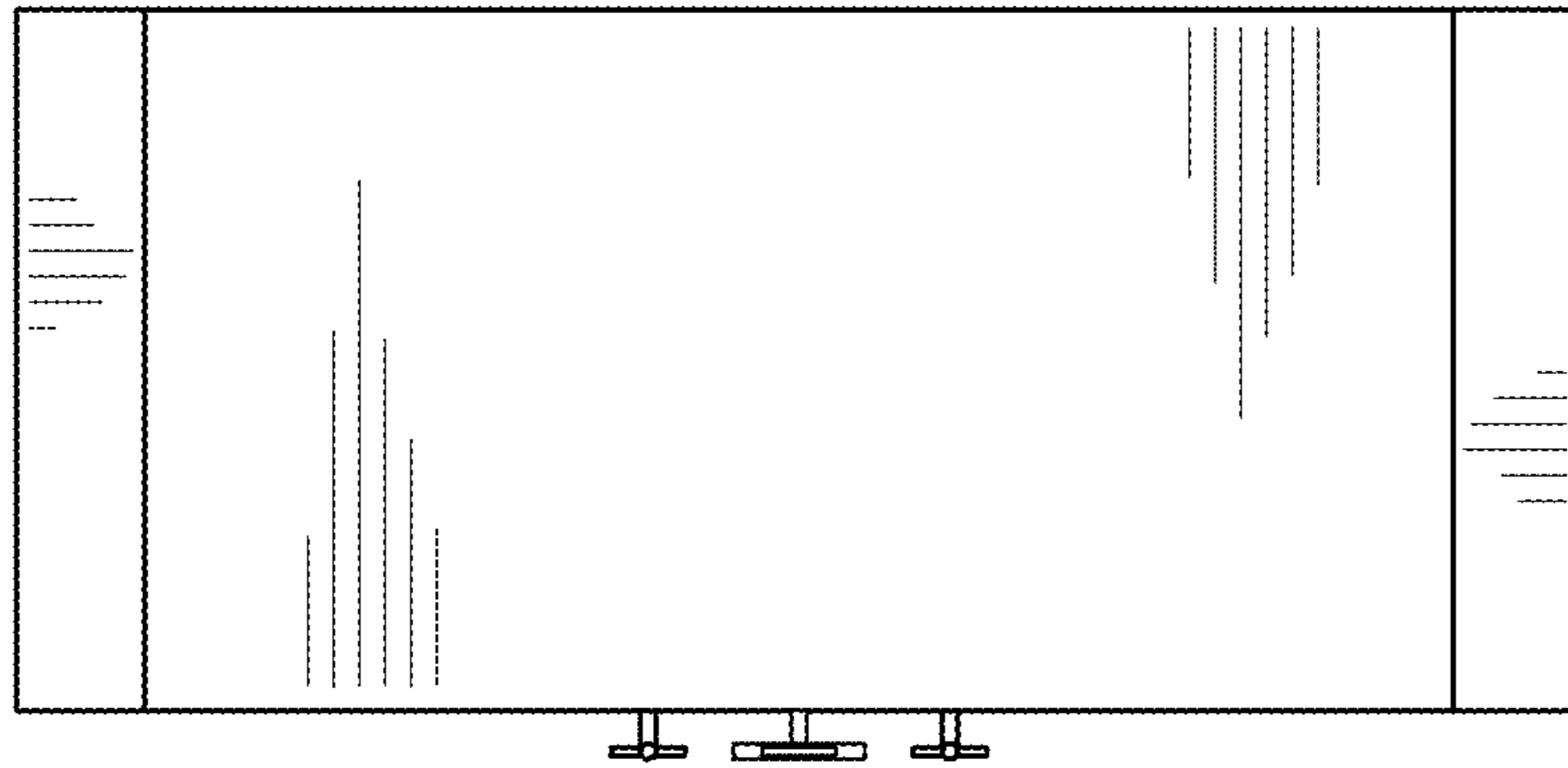


FIG. 5

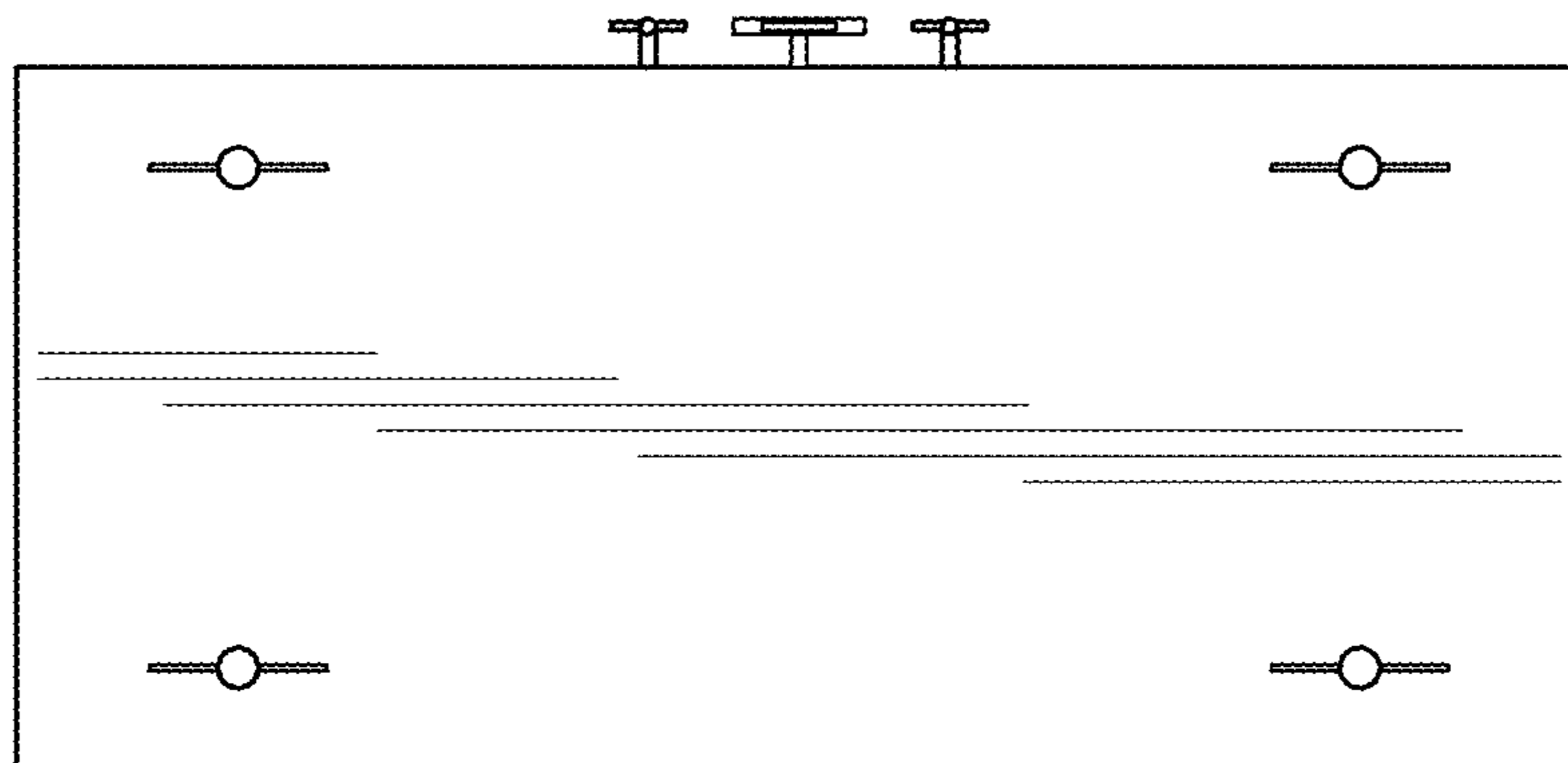


FIG. 6