



US00D838519S

(12) **United States Design Patent** (10) **Patent No.:** **US D838,519 S**
Knox (45) **Date of Patent:** **** Jan. 22, 2019**

(54) **DRESSER**
(71) Applicant: **Williams-Sonoma, Inc.**, San Francisco, CA (US)
(72) Inventor: **August Knox**, Brooklyn, NY (US)
(73) Assignee: **Williams-Sonoma, Inc.**, San Francisco, CA (US)
(**) Term: **15 Years**
(21) Appl. No.: **29/618,017**
(22) Filed: **Sep. 18, 2017**
(51) **LOC (11) Cl.** **06-04**
(52) **U.S. Cl.**
USPC **D6/671.2**
(58) **Field of Classification Search**
USPC D3/296, 297; D6/641, 654, 657, 663, D6/664, 664.1, 668, 668.1, 668.2, 671, D6/671.1-671.4, 673, 674, 675, D6/675.1-675.5, 699
CPC A47B 17/04; A47B 47/03; A47B 63/00; A47B 67/00; A47B 67/04; A47B 88/00; A47B 88/40; A47B 2220/03
See application file for complete search history.

D617,117 S * 6/2010 Tovin D6/668.2
D738,142 S * 9/2015 Glattstein D6/671.1
D772,613 S * 11/2016 Liu D6/664.1
D812,935 S * 3/2018 Hannoosh D6/671.1
D815,468 S * 4/2018 Hannoosh D6/671.1
D818,745 S * 5/2018 Hannoosh D6/671.1

OTHER PUBLICATIONS

Westelm, posted at Westelm.com, posted on Jan. 8, 2017, site visited Nov. 6, 2018. online, available from internet: https://tineye.com/search/ed2efe382434e80535000fbf33a538d77795878d/?extension_ver=chrome-1.3.0 (Year: 2017).*

* cited by examiner

Primary Examiner — Mary Ann Calabrese
Assistant Examiner — Catherine Ho
(74) *Attorney, Agent, or Firm* — Cook Alex Ltd.; R. Blake Johnston

(56) **References Cited**

U.S. PATENT DOCUMENTS

D193,717 S * 10/1962 Deaton D6/671.1
D454,724 S * 3/2002 Hokanson D6/668.2
D488,002 S * 4/2004 Wanek D6/671.1
D526,814 S * 8/2006 Juneau D6/671.1
D533,732 S * 12/2006 Juneau D6/671.1
D554,893 S * 11/2007 Boerner D6/671.2
D596,421 S * 7/2009 Kanthasamy D6/671.1

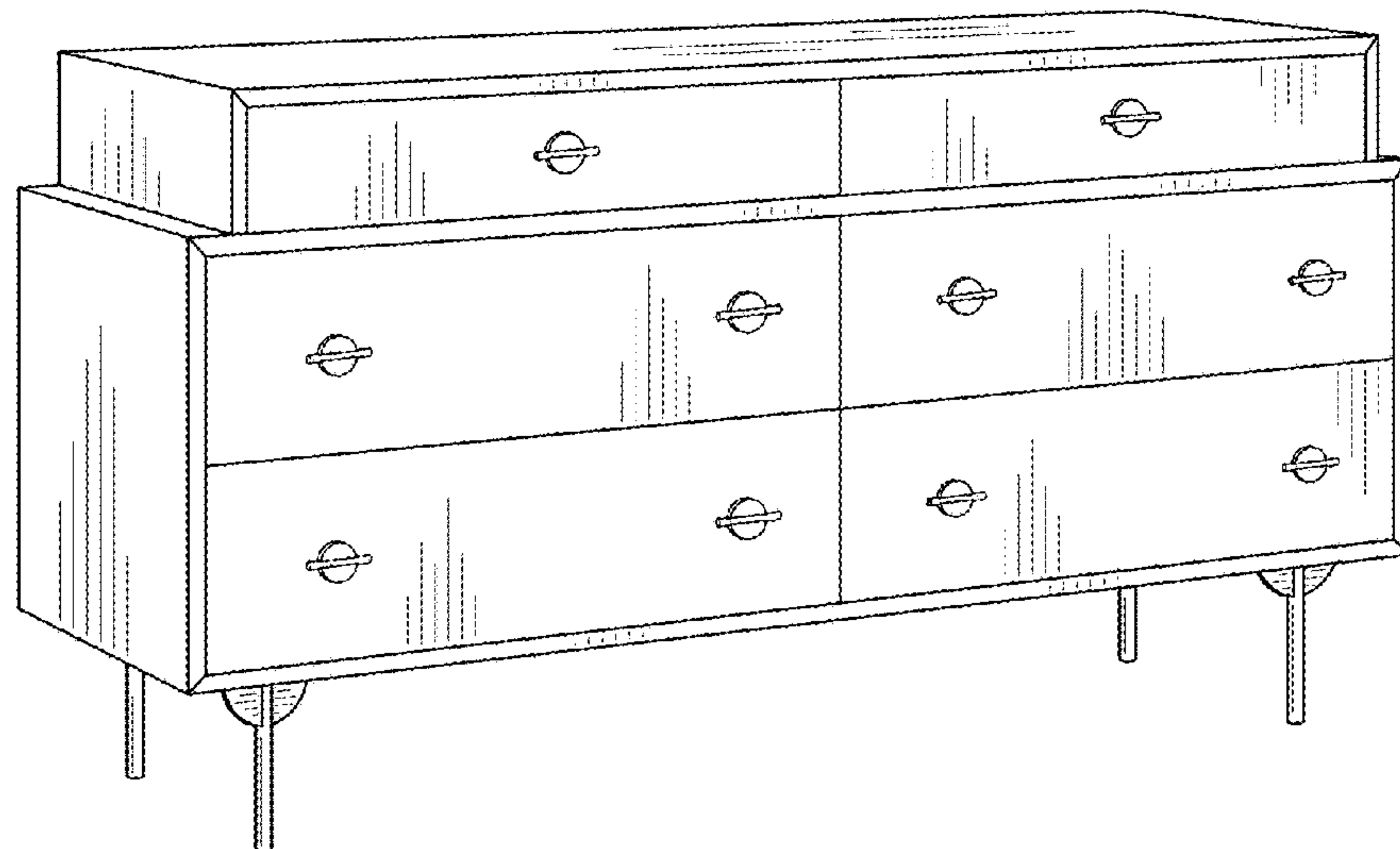
(57) **CLAIM**

The ornamental design for a dresser, as shown and described.

DESCRIPTION

FIG. 1 is a perspective view of the dresser; FIG. 2 is a front elevational view of the dresser; FIG. 3 is a rear elevational view of the dresser; FIG. 4 is a left side elevational view of the dresser, the opposite side of which is a mirror image; FIG. 5 is a top plan view of the dresser; and, FIG. 6 is a bottom plan view of the dresser.

1 Claim, 4 Drawing Sheets



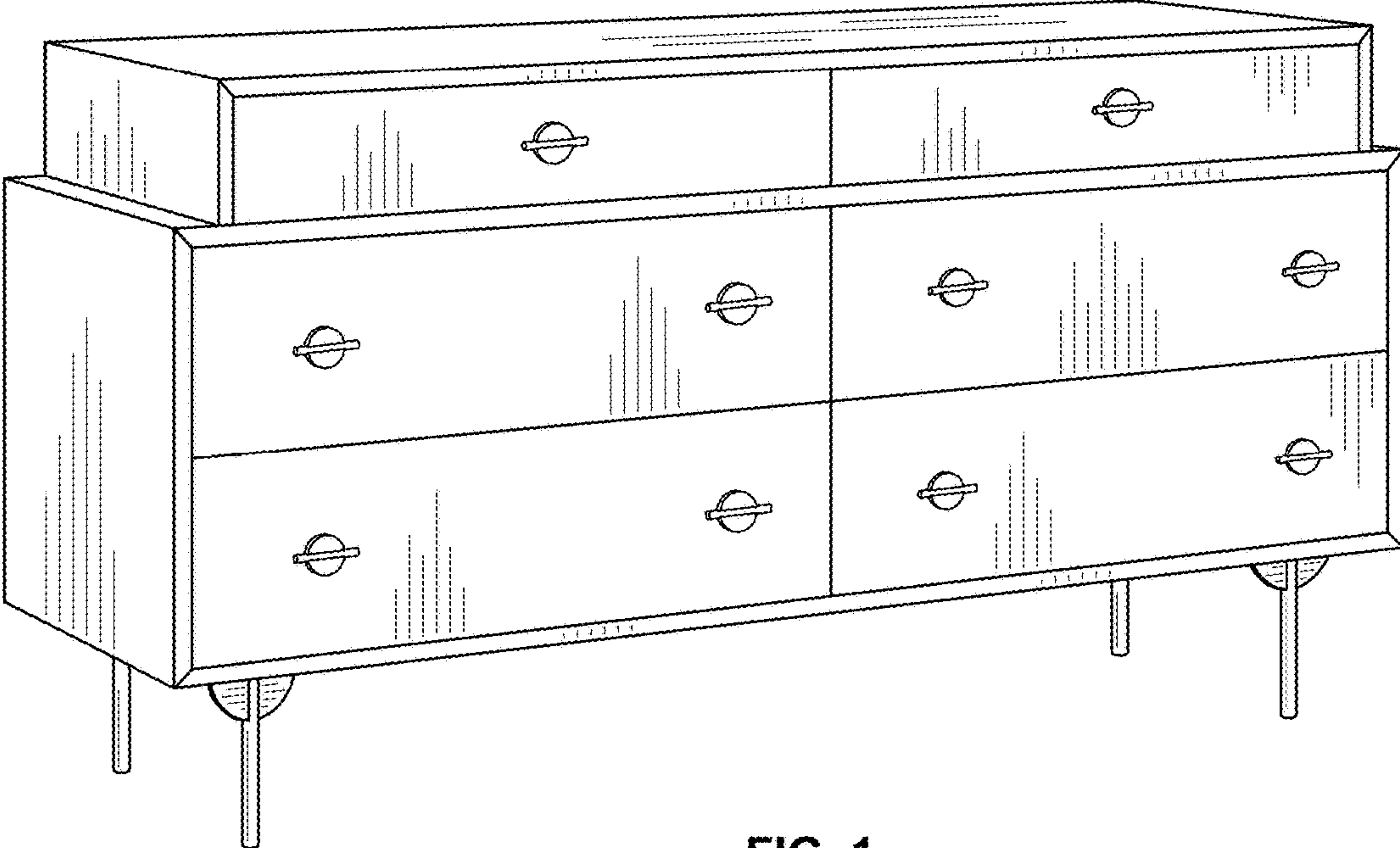


FIG. 1

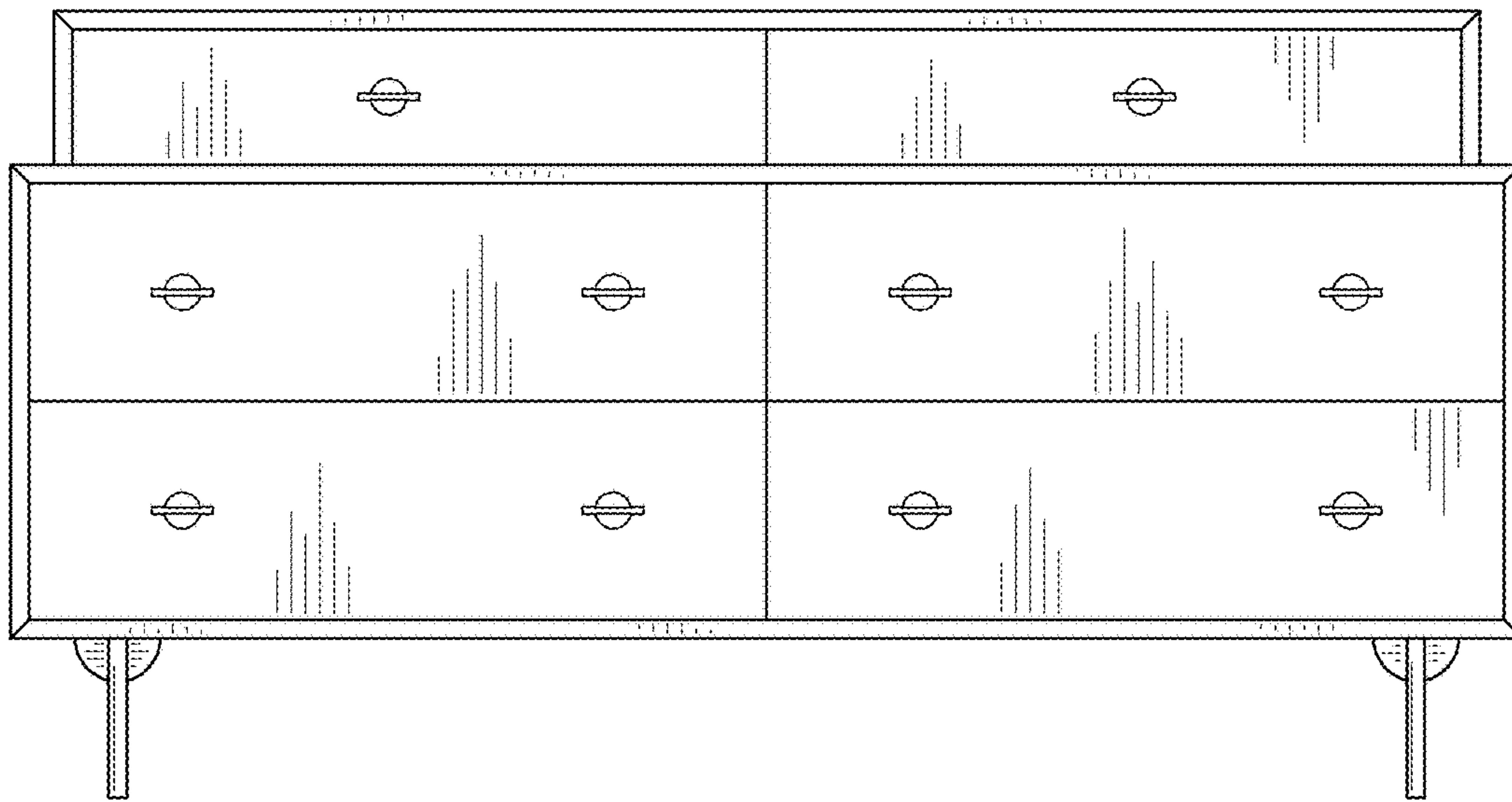


FIG. 2



FIG. 3

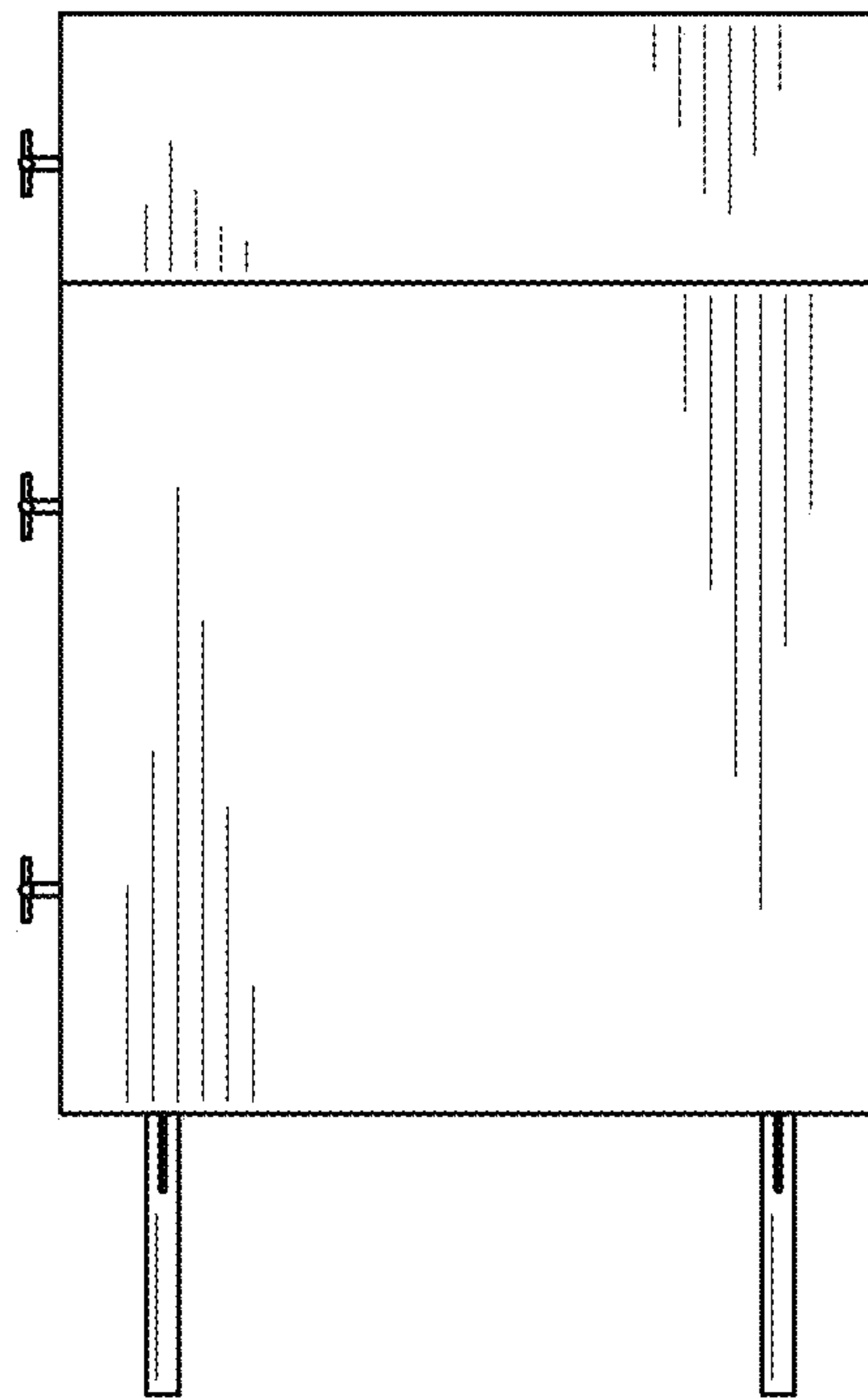


FIG. 4

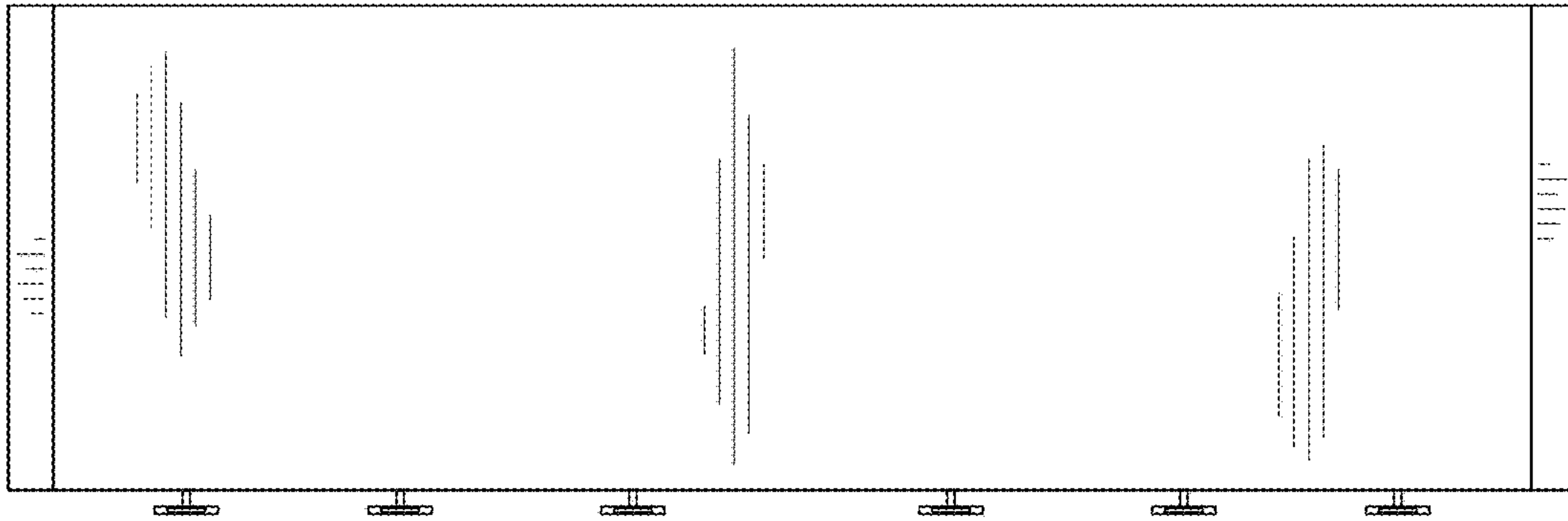


FIG. 5

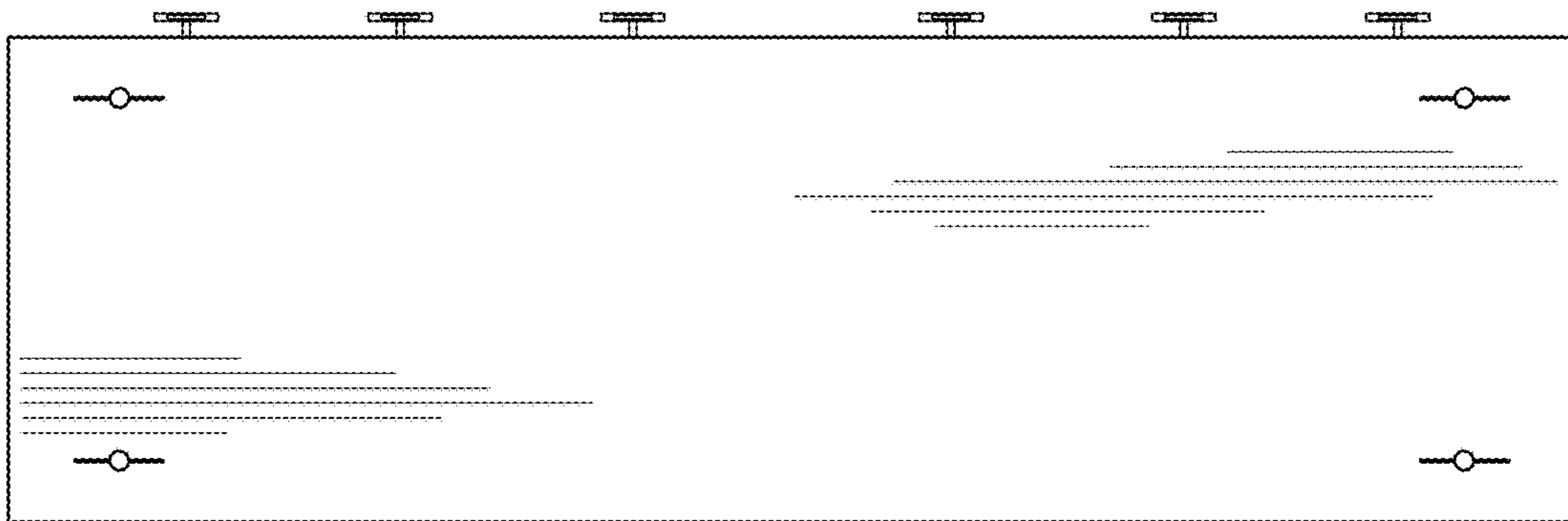


FIG. 6