

US00D838512S

(12) **United States Design Patent**
Stousland

(10) **Patent No.:** **US D838,512 S**
(45) **Date of Patent:** **** Jan. 22, 2019**

- (54) **NAPKIN**
- (71) Applicant: **Grant Stousland**, Middleton, WI (US)
- (72) Inventor: **Grant Stousland**, Middleton, WI (US)
- (73) Assignee: **Uncle Grant's LLC**, Middleton, WI (US)
- (**) Term: **15 Years**
- (21) Appl. No.: **29/569,068**
- (22) Filed: **Jun. 23, 2016**

410,600 A	9/1889	Mills	
731,791 A *	6/1903	Krifka	A41D 13/08
			2/158
807,628 A *	12/1905	Marks	A41D 13/08
			2/16
1,075,010 A *	10/1913	Casebolt	A41D 27/10
			2/126
1,266,506 A *	5/1918	Louder	A41D 13/08
			2/59
1,287,691 A *	12/1918	Casebolt	A41D 13/08
			2/59
D61,587 S	10/1922	Lord	
D62,554 S	6/1923	Lord	
1,577,630 A *	3/1926	Yerger	A41B 7/12
			116/35 R
D90,914 S	10/1933	Juestrich	
D127,202 S	5/1941	Landry	
D146,745 S	5/1947	Raphaels	

(Continued)

Related U.S. Application Data

- (63) Continuation-in-part of application No. 29/498,404, filed on Aug. 4, 2014, now abandoned.
- (51) **LOC (11) Cl.** **06-13**
- (52) **U.S. Cl.**
USPC **D6/595**; D2/610
- (58) **Field of Classification Search**
USPC D6/582-583, 587-592, 595-609, D6/617-622; D2/610, 612, 719, 921
CPC A47G 9/00; A47G 2009/001; A47G 2009/002; A47G 2009/003; A47G 2009/005; A47G 2009/006; A47G 9/02; A47G 9/0215; A47G 9/0223; A47G 9/023; A47G 9/0238; A47G 9/06; A47G 9/062; A47G 9/066; A47G 9/068; A47G 9/0248; A47G 9/08; A47G 9/04; A47G 11/002; A47G 11/001; A47G 11/003
See application file for complete search history.

Primary Examiner — Mary Ann Calabrese
Assistant Examiner — Jennifer L Rempfer
 (74) *Attorney, Agent, or Firm* — Andrus Intellectual Property Law, LLP

(57) **CLAIM**

I claim the ornamental design for a napkin, as shown and described.

DESCRIPTION

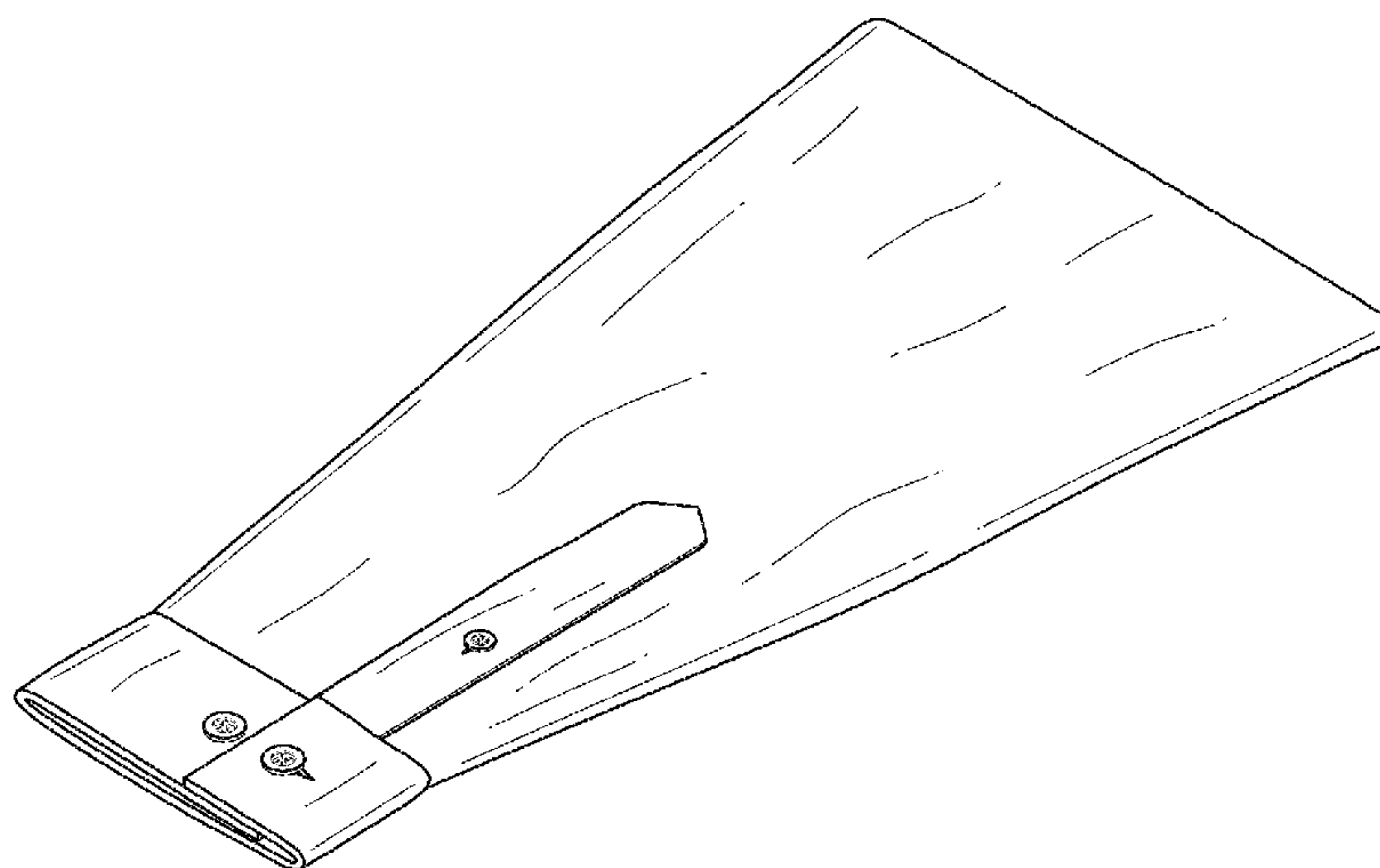
FIG. 1 is a perspective view of a top side of a napkin.
 FIG. 2 is another perspective view of the top side of the napkin.
 FIG. 3 is a plan view the top side of the napkin.
 FIG. 4 is a plan view the bottom side of the napkin.
 FIG. 5 is perspective view showing the napkin folded; and,
 FIG. 6 is a perspective view of the napkin placed in position of use over the forearm of a user of the article.
 The broken lines showing a hand and portions of an arm and a face are for environmental purposes only and form no part of the claimed invention.

(56) **References Cited**

U.S. PATENT DOCUMENTS

- D11,353 S 8/1879 Swapp
- 293,500 A * 2/1884 Northrup A41D 20/00
- 2/170

1 Claim, 3 Drawing Sheets



(56)

References Cited

U.S. PATENT DOCUMENTS

3,837,007 A * 9/1974 Girest A41D 27/10
 2/126
 D284,325 S * 6/1986 Birmingham, Jr. D2/860
 4,893,372 A * 1/1990 Wenzel A41D 13/08
 15/227
 4,977,622 A * 12/1990 Schley A41D 13/12
 2/114
 D313,674 S 1/1991 Sharpe
 5,187,813 A 2/1993 Klein
 D348,142 S 6/1994 Brooker
 D355,749 S 2/1995 Spera
 D359,835 S 7/1995 Hadfield
 5,638,546 A * 6/1997 Vita A41D 13/08
 2/16
 5,644,793 A * 7/1997 Lahaussais A41D 13/08
 2/16
 D393,138 S 4/1998 Frey
 D417,938 S 12/1999 Brandt
 6,210,352 B1 * 4/2001 Williams A61F 15/004
 128/849
 D442,765 S 5/2001 Newman
 D446,382 S 8/2001 Mongold
 D456,595 S * 5/2002 Cowgill D2/889

6,405,381 B1 * 6/2002 Bowman, Jr. A41D 19/0051
 2/159
 6,472,590 B1 * 10/2002 Kulik G10D 3/00
 2/16
 D472,717 S 4/2003 Buckle
 D487,353 S 3/2004 Wolf
 D560,041 S 1/2008 Cook
 D560,042 S * 1/2008 Porter D29/120.1
 D578,818 S * 10/2008 Margalit D6/601
 D597,224 S 7/2009 Ziliotto
 D628,363 S 12/2010 Bengyak
 D645,260 S 9/2011 Steeman et al.
 D651,809 S 1/2012 Steeman et al.
 D655,921 S 3/2012 Snyder
 D659,348 S 5/2012 Selle et al.
 D672,155 S 12/2012 Steeman et al.
 D674,106 S * 1/2013 Hadash D24/206
 D675,397 S 2/2013 Bengyak
 D731,345 S 6/2015 Stewart
 D734,732 S 7/2015 Nakabayashi et al.
 9,775,390 B2 * 10/2017 Sheedy A41D 20/00
 9,848,751 B2 * 12/2017 McKenzie A47K 10/02
 9,936,751 B1 * 4/2018 Mignone A41D 31/0011
 2002/0166436 A1 11/2002 Kulik
 2007/0294798 A1 12/2007 York et al.
 2008/0127394 A1 6/2008 Atkinson
 2012/0066816 A1 3/2012 Starr

* cited by examiner

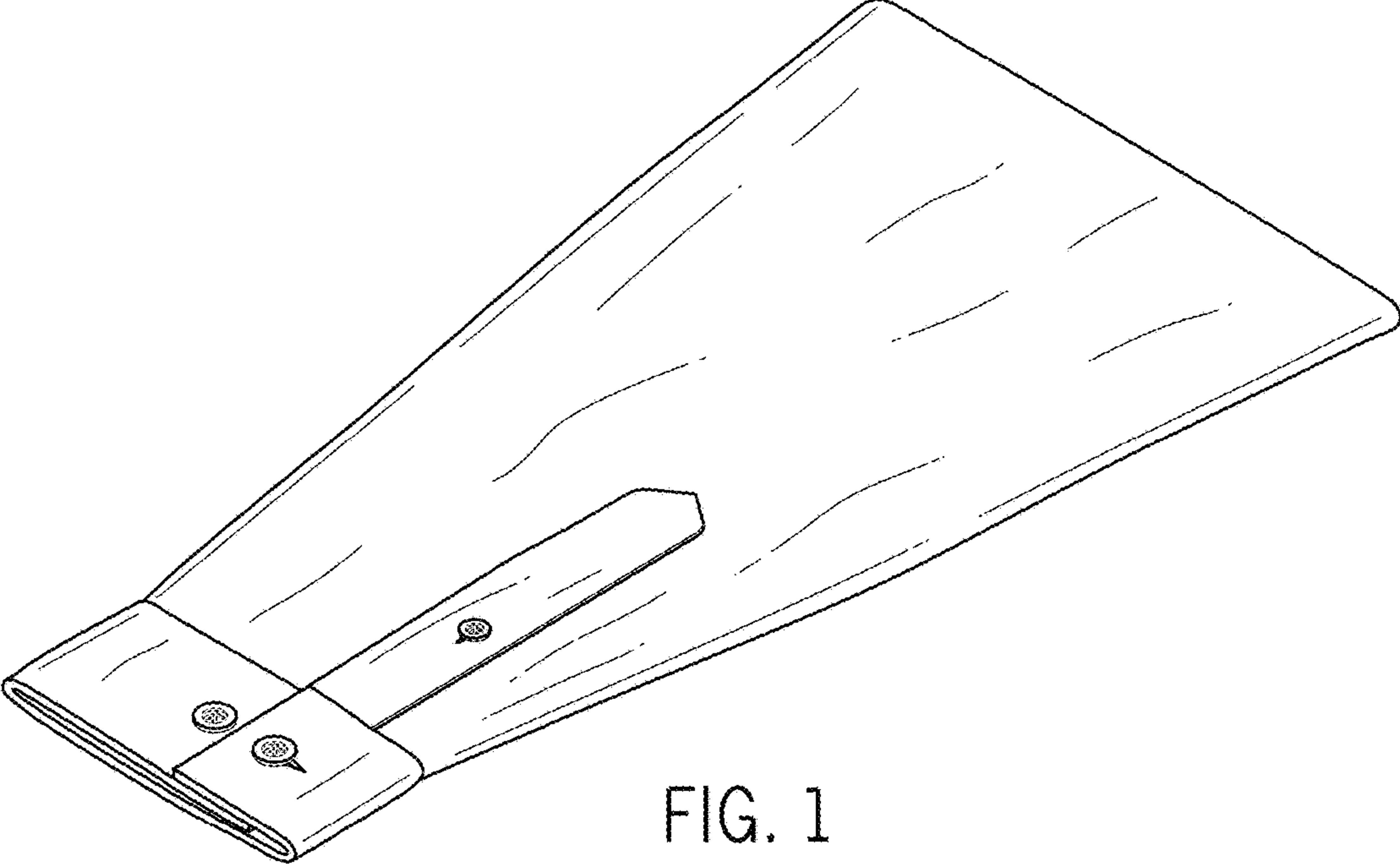


FIG. 1

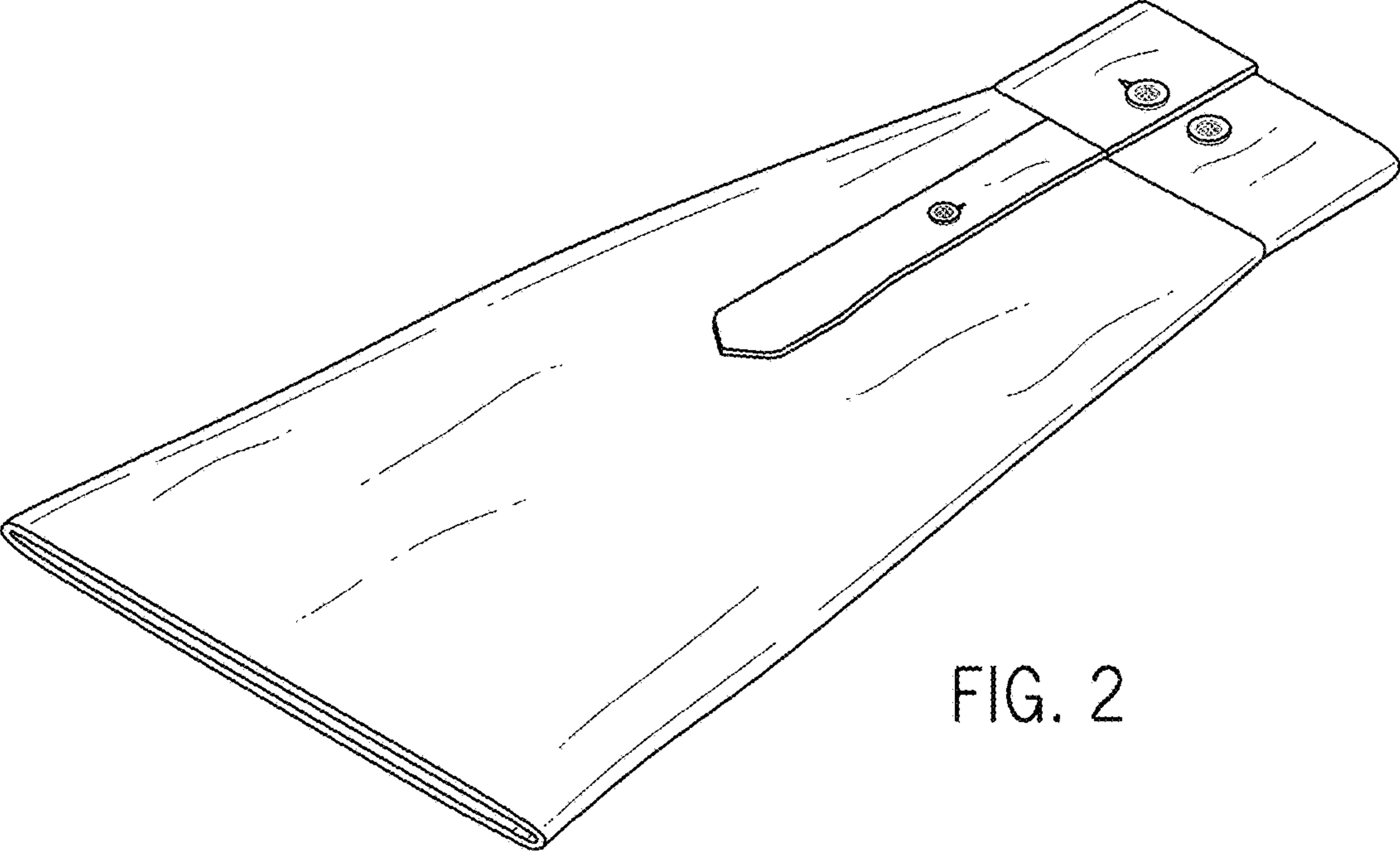


FIG. 2

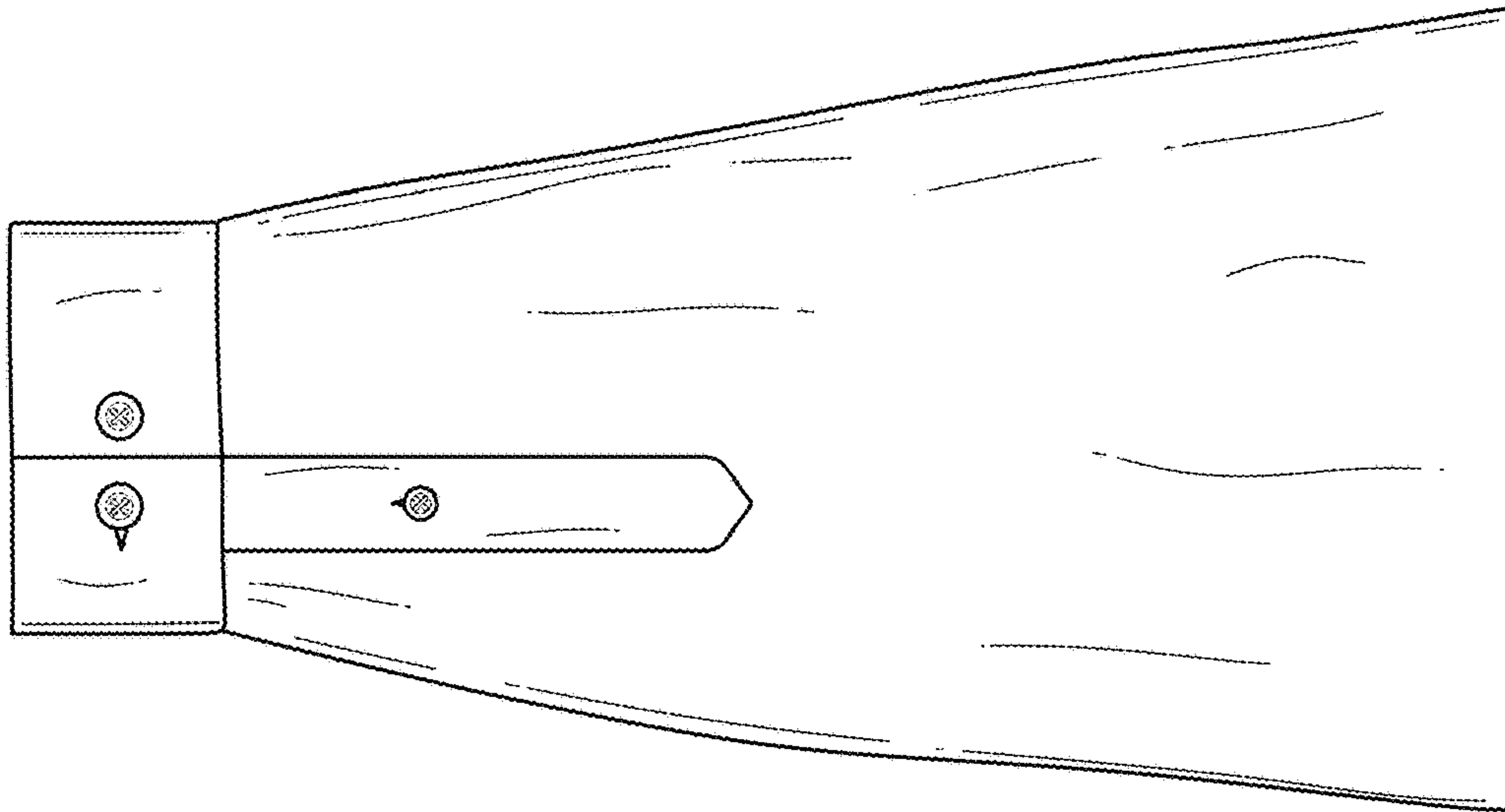


FIG. 3

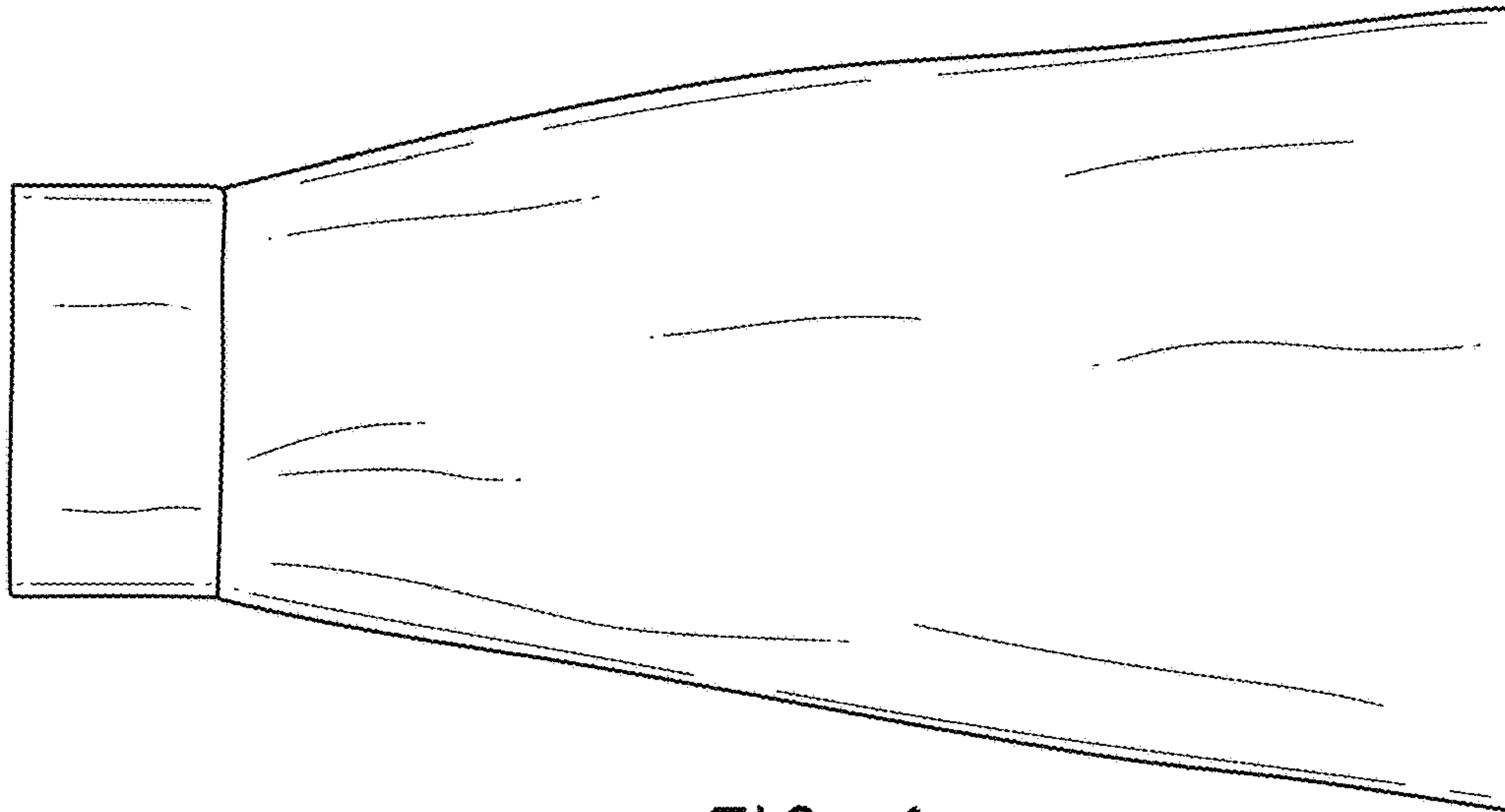


FIG. 4

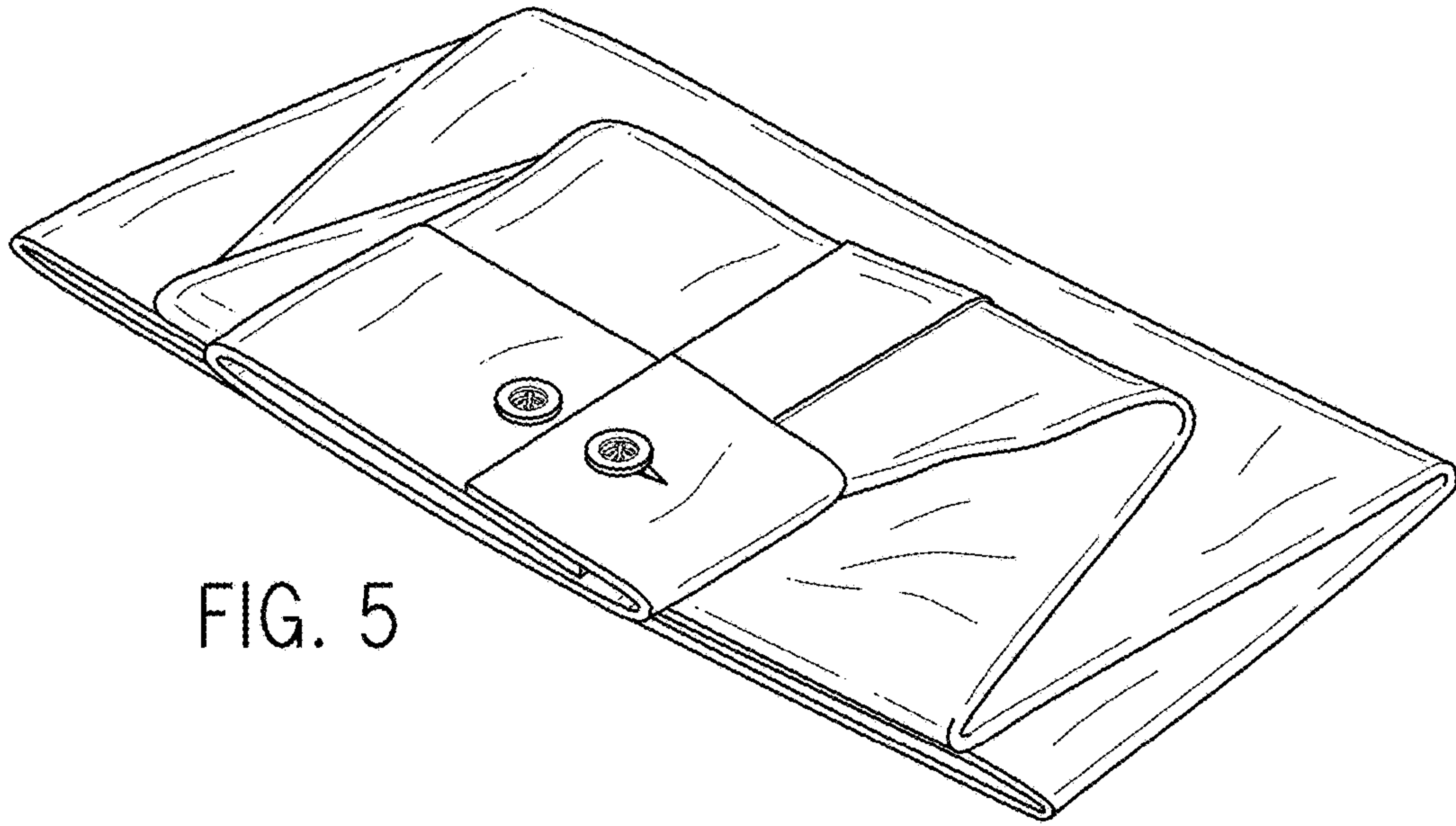


FIG. 5

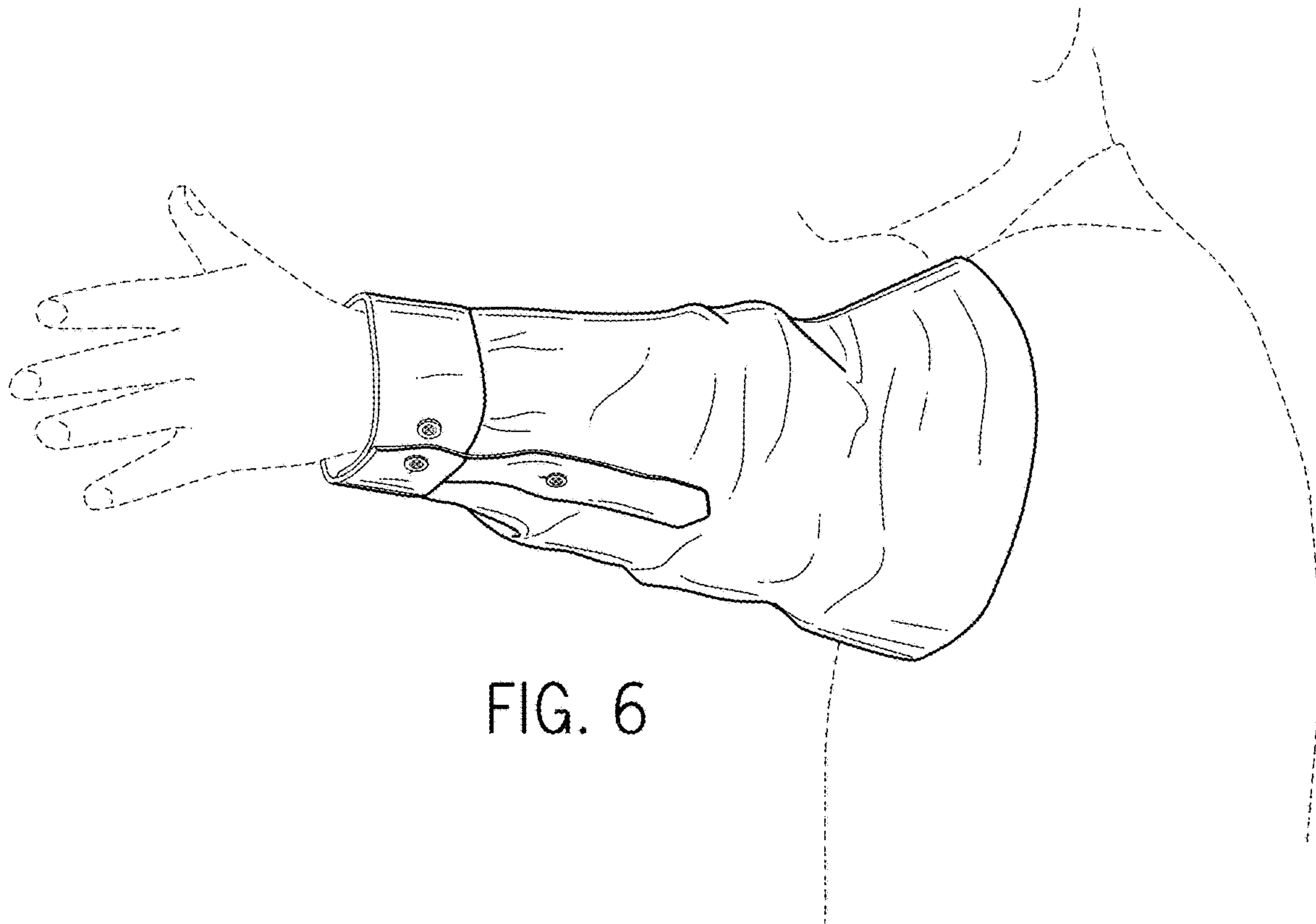


FIG. 6