



US00D838510S

(12) **United States Design Patent**
Thomas

(10) **Patent No.:** **US D838,510 S**
(45) **Date of Patent:** **** Jan. 22, 2019**

(54) **HOSPITALITY ACCESSORY BRACKETS**

(71) Applicant: **Roger P. Thomas**, Las Vegas, NV (US)

(72) Inventor: **Roger P. Thomas**, Las Vegas, NV (US)

(**) Term: **15 Years**

(21) Appl. No.: **29/625,311**

(22) Filed: **Nov. 8, 2017**

Related U.S. Application Data

(63) Continuation of application No. 29/577,681, filed on Sep. 14, 2016.

(51) **LOC (11) Cl.** **23-02**

(52) **U.S. Cl.**
USPC **D6/550**

(58) **Field of Classification Search**
USPC D6/549, 518–524, 546–550, 574;
D8/300, 315, 370; 108/28–29; 211/13.1,
211/16, 85.5, 86.01, 87.01, 88.04, 100,
211/105.1, 105.2, 106, 106.1, 113, 123,
211/181.1, 182–183; 242/570, 590,
242/595–598; 248/175, 176.1, 200, 201
CPC A47K 5/02; A47K 10/10; A47K 10/04;
A47K 2201/02; A47K 2201/00; A47K
10/12; A47G 25/0692; E05B 1/0015;
Y10S 16/41; Y10T 16/458; Y10T 16/462
See application file for complete search history.

(56) **References Cited**

U.S. PATENT DOCUMENTS

D465,365 S * 11/2002 Moore D6/523
D466,742 S * 12/2002 Moore D6/549
D478,754 S * 8/2003 Moore D6/524
D483,585 S * 12/2003 Chen D6/524

D498,625 S * 11/2004 Chang D6/524
D512,860 S * 12/2005 Ferrer Beltran D6/523
D516,849 S * 3/2006 Ferrer Beltran D6/549
D532,228 S * 11/2006 Snell D6/522
D540,588 S * 4/2007 Hoernig D6/523
D544,263 S * 6/2007 Kakihana D6/524
D546,606 S * 7/2007 Berberet D6/524
D604,075 S * 11/2009 Chen D6/524
D655,547 S * 3/2012 Domanski D6/524
D732,844 S * 6/2015 Georgeson D6/524

* cited by examiner

Primary Examiner — Wan Laymon

Assistant Examiner — Mark Booker

(74) *Attorney, Agent, or Firm* — Potter Anderson & Corroon, LLP

(57) **CLAIM**

The ornamental design for hospitality accessory brackets, as shown and described.

DESCRIPTION

FIG. 1 is a left-front perspective view of an embodiment of hospitality accessory brackets according to the present invention;

FIG. 2 is a front elevational view of the hospitality accessory brackets of FIG. 1;

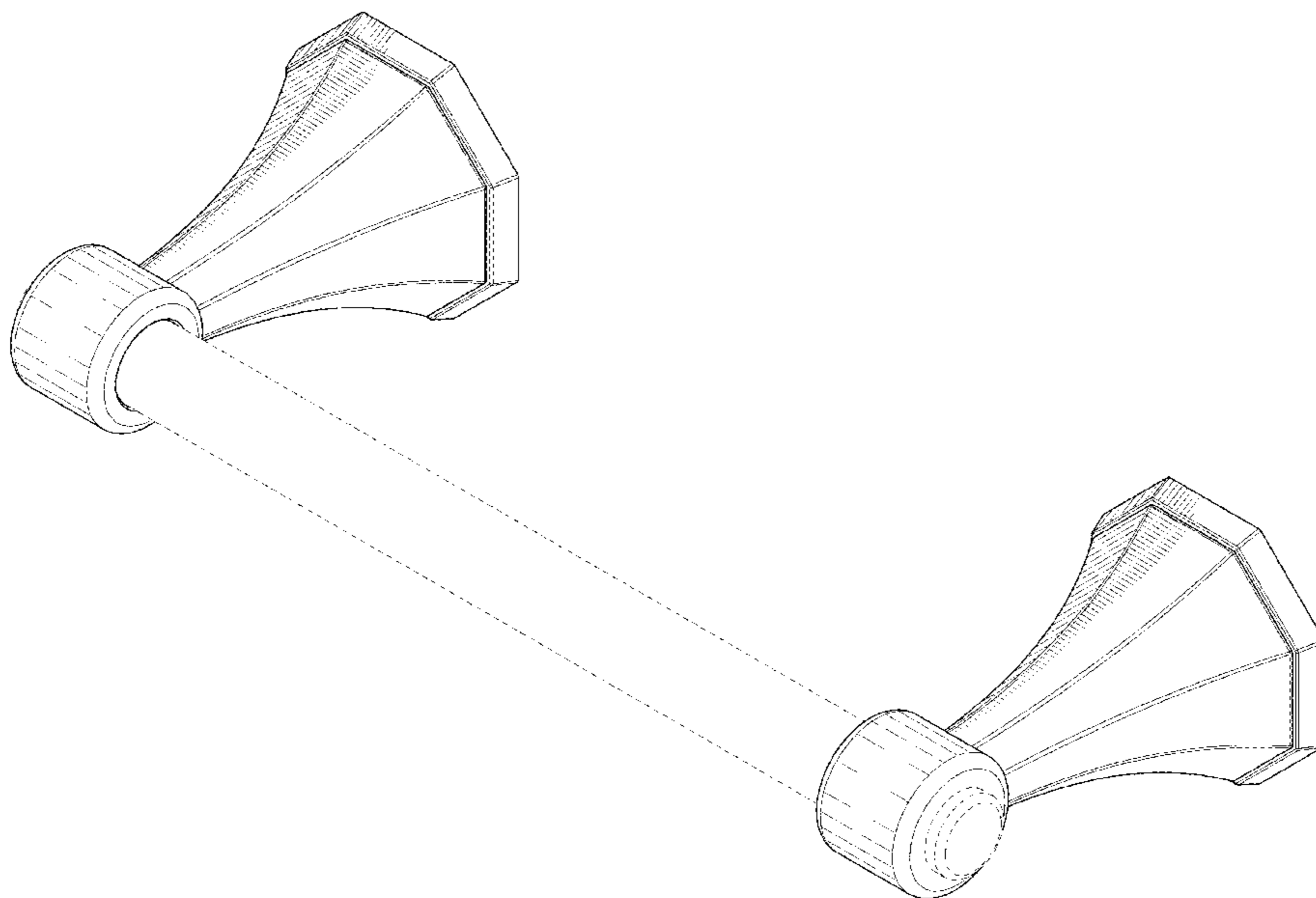
FIG. 3 is a right side elevational view of the hospitality accessory brackets of FIG. 1 and is a mirror image of the left side view of the hospitality accessory brackets of FIG. 1;

FIG. 4 is a bottom view of the hospitality accessory brackets of FIG. 1; and,

FIG. 5 is a top plan view of the hospitality accessory brackets of FIG. 1.

The broken lines shown in the figures represent portions of the hospitality accessory brackets that form no part of the claimed design.

1 Claim, 5 Drawing Sheets



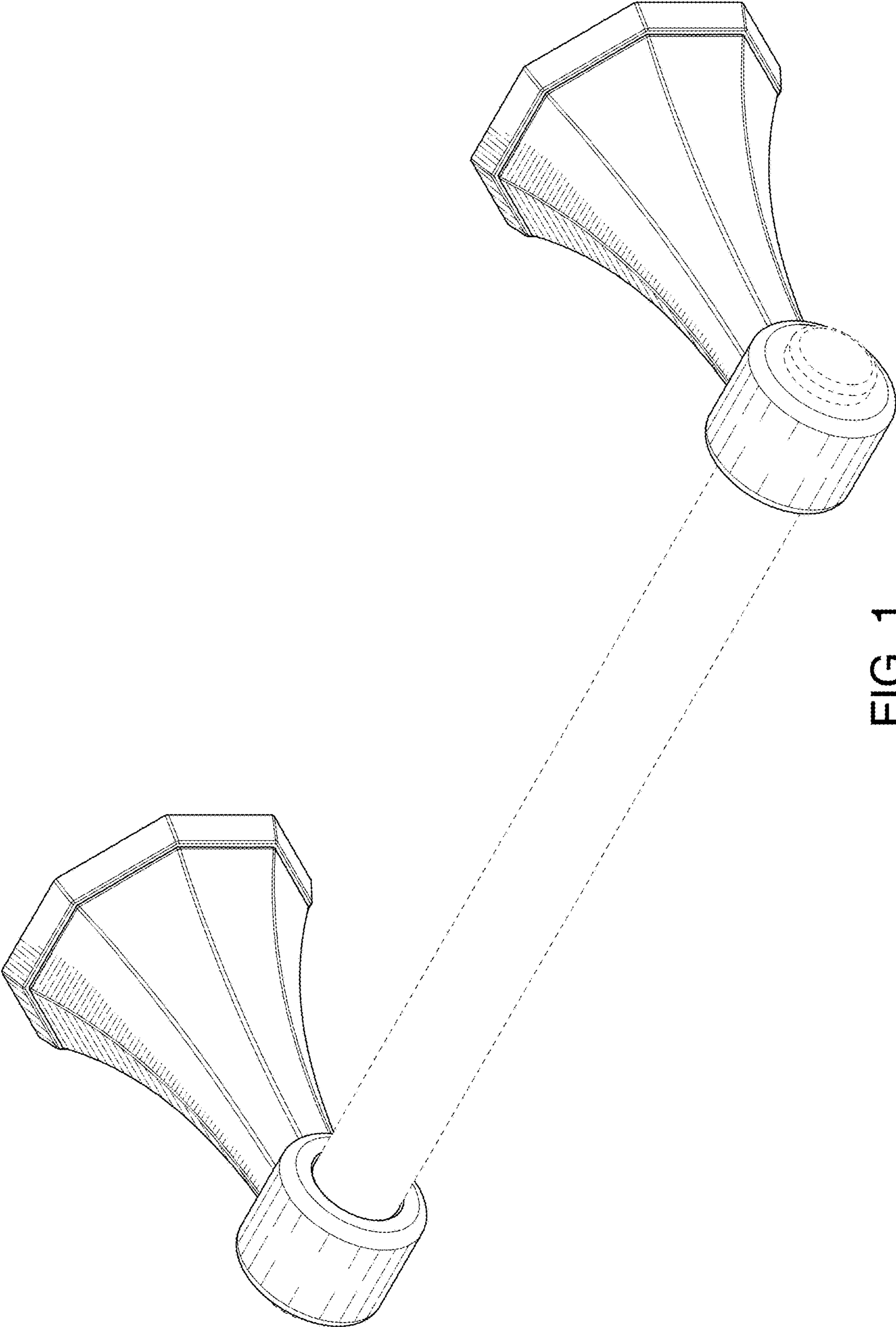


FIG. 1

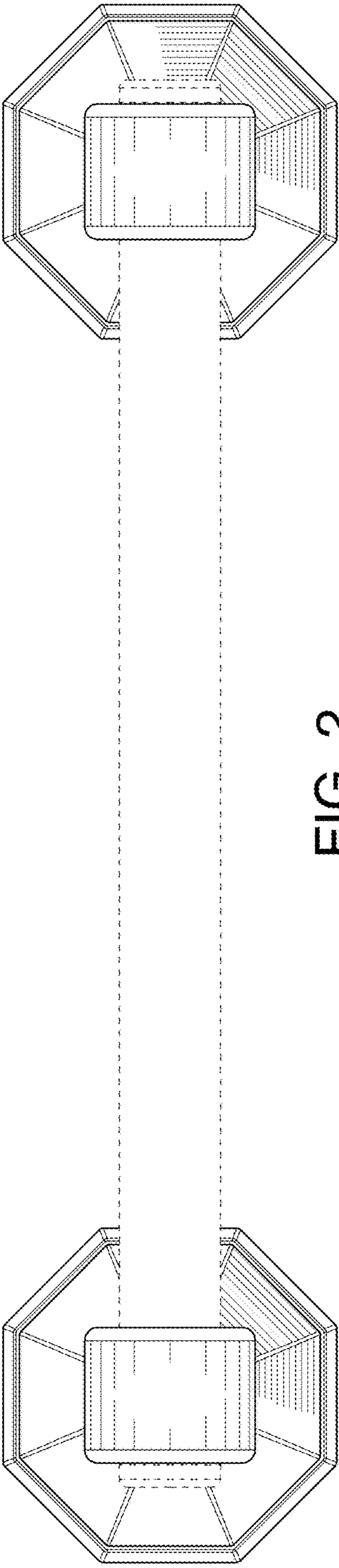


FIG. 2

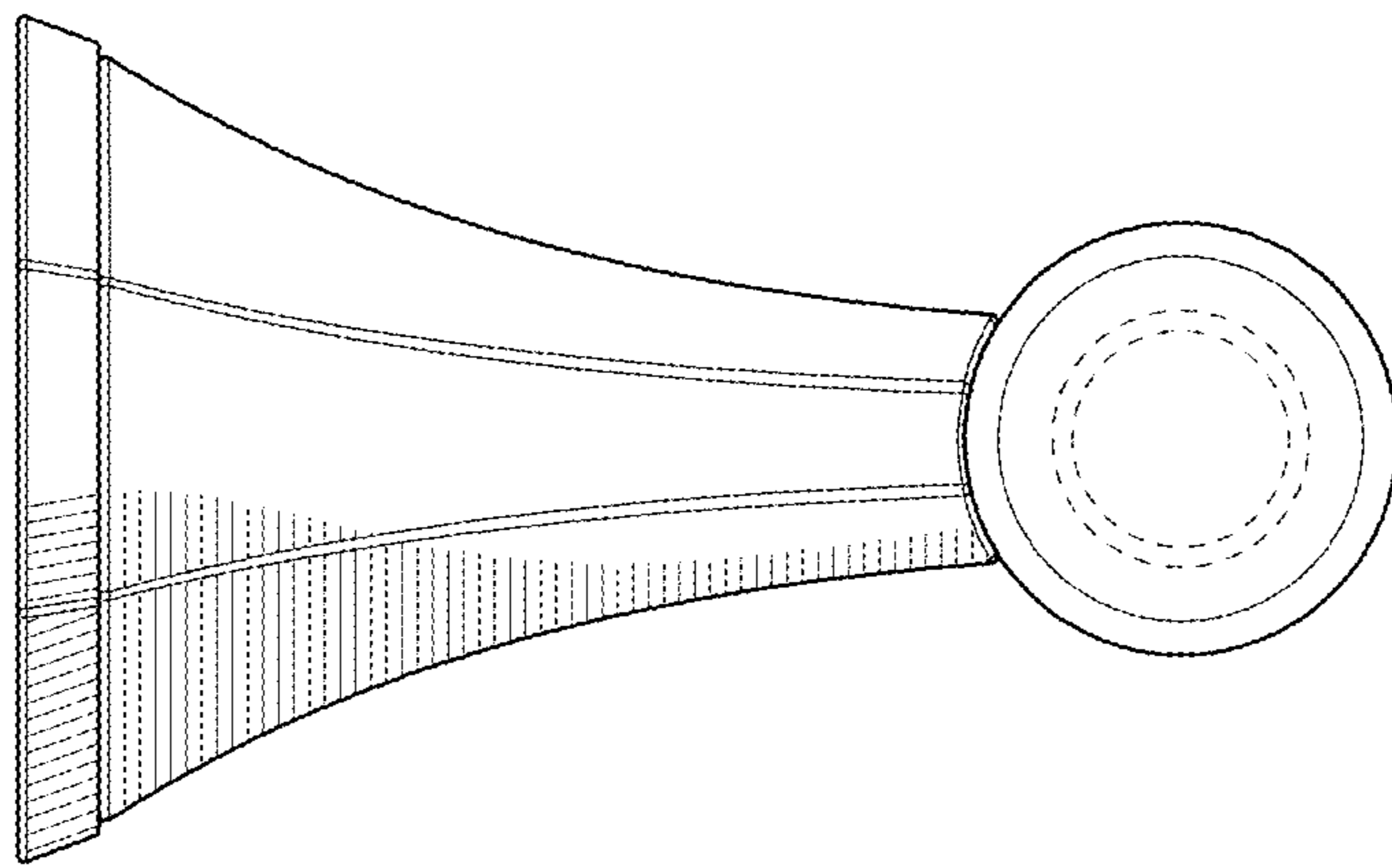


FIG. 3



FIG. 4



FIG. 5