



US00D838509S

(12) **United States Design Patent**  
**Joseph**

(10) **Patent No.:** **US D838,509 S**  
(45) **Date of Patent:** **\*\* Jan. 22, 2019**

- (54) **SOAP DISH**
- (71) Applicant: **Joseph Joseph Ltd.**, London (GB)
- (72) Inventor: **Antony Joseph**, London (GB)
- (73) Assignee: **JOSEPH JOSEPH LTD**, London (GB)
- (\*\*) Term: **15 Years**
- (21) Appl. No.: **29/615,222**
- (22) Filed: **Aug. 28, 2017**
- (30) **Foreign Application Priority Data**

D805,804 S \* 12/2017 Li ..... D6/536  
 \* cited by examiner  
*Primary Examiner* — Wan Laymon  
*Assistant Examiner* — Mark Booker  
 (74) *Attorney, Agent, or Firm* — Millen, White, Zelano & Branigan, PC

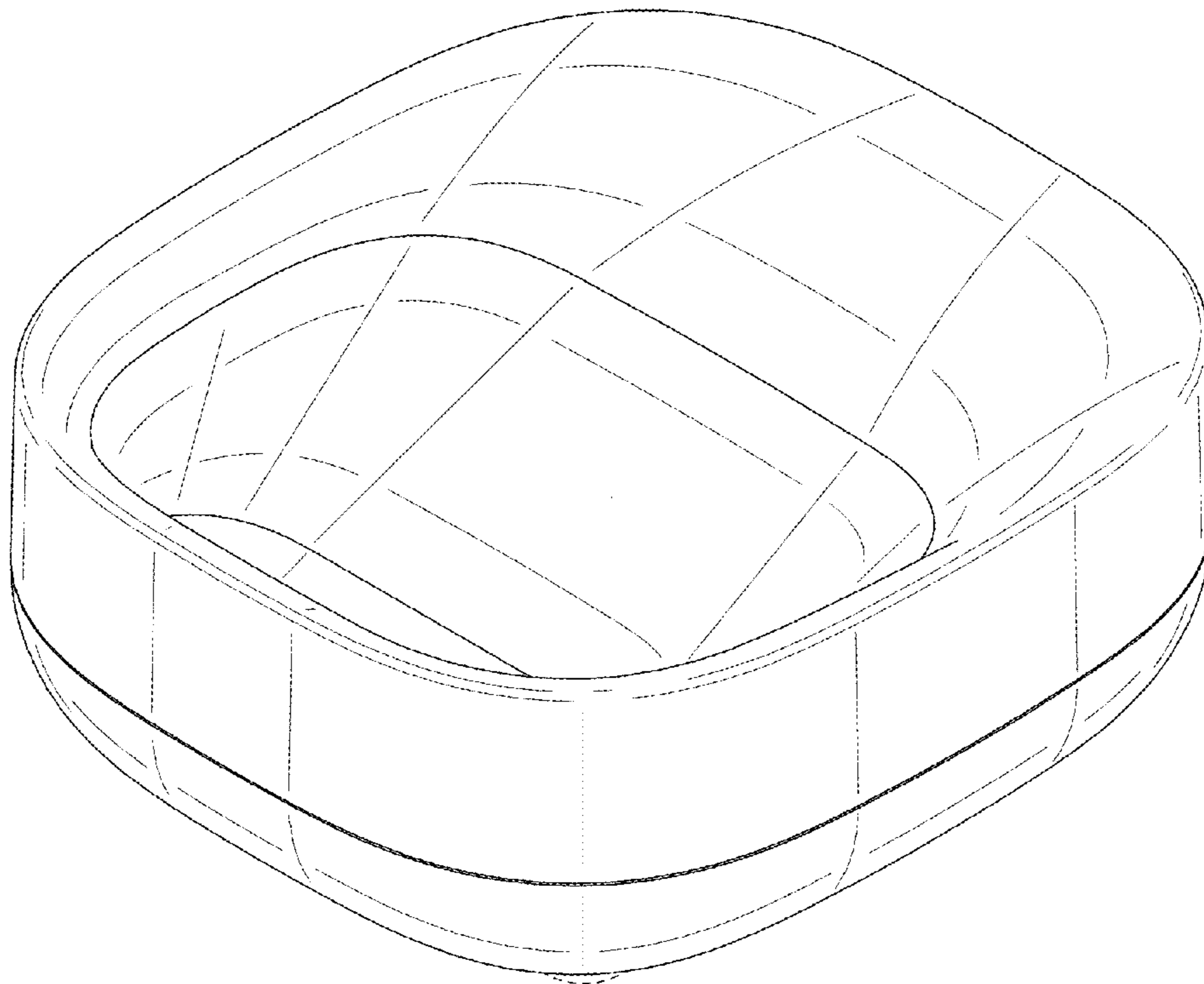
- Mar. 8, 2017 (EM) ..... 003789437
- (51) **LOC (11) Cl.** ..... **23-02**
- (52) **U.S. Cl.**  
USPC ..... **D6/536**
- (58) **Field of Classification Search**  
USPC ..... D6/536, 708.18, 529, 532, 539–540;  
D7/502, 550.1, 554.2; D30/121, 128,  
D30/130, 132, 133; 108/154, 155;  
206/557, 823; D28/73  
CPC ..... A47K 5/03; A47K 5/02  
See application file for complete search history.

(57) **CLAIM**  
 The ornamental design for a soap dish, as shown and described.

- (56) **References Cited**  
**U.S. PATENT DOCUMENTS**  
 D457,272 S \* 5/2002 Weinberg ..... D28/73  
 D785,969 S \* 5/2017 Burrow ..... D6/536

**DESCRIPTION**  
 FIG. 1 is a top perspective view of the soap dish showing my new design.  
 FIG. 2 is a front view thereof.  
 FIG. 3 is a back view thereof.  
 FIG. 4 is a side view thereof.  
 FIG. 5 is another side view thereof.  
 FIG. 6 is a top view thereof.  
 FIG. 7 is a bottom view thereof.  
 FIG. 8 is a top perspective exploded view thereof; and,  
 FIG. 9 is a bottom perspective exploded view thereof.  
 The broken lines in the drawings illustrate portions of the soap dish which form no part of the claimed design.

**1 Claim, 9 Drawing Sheets**



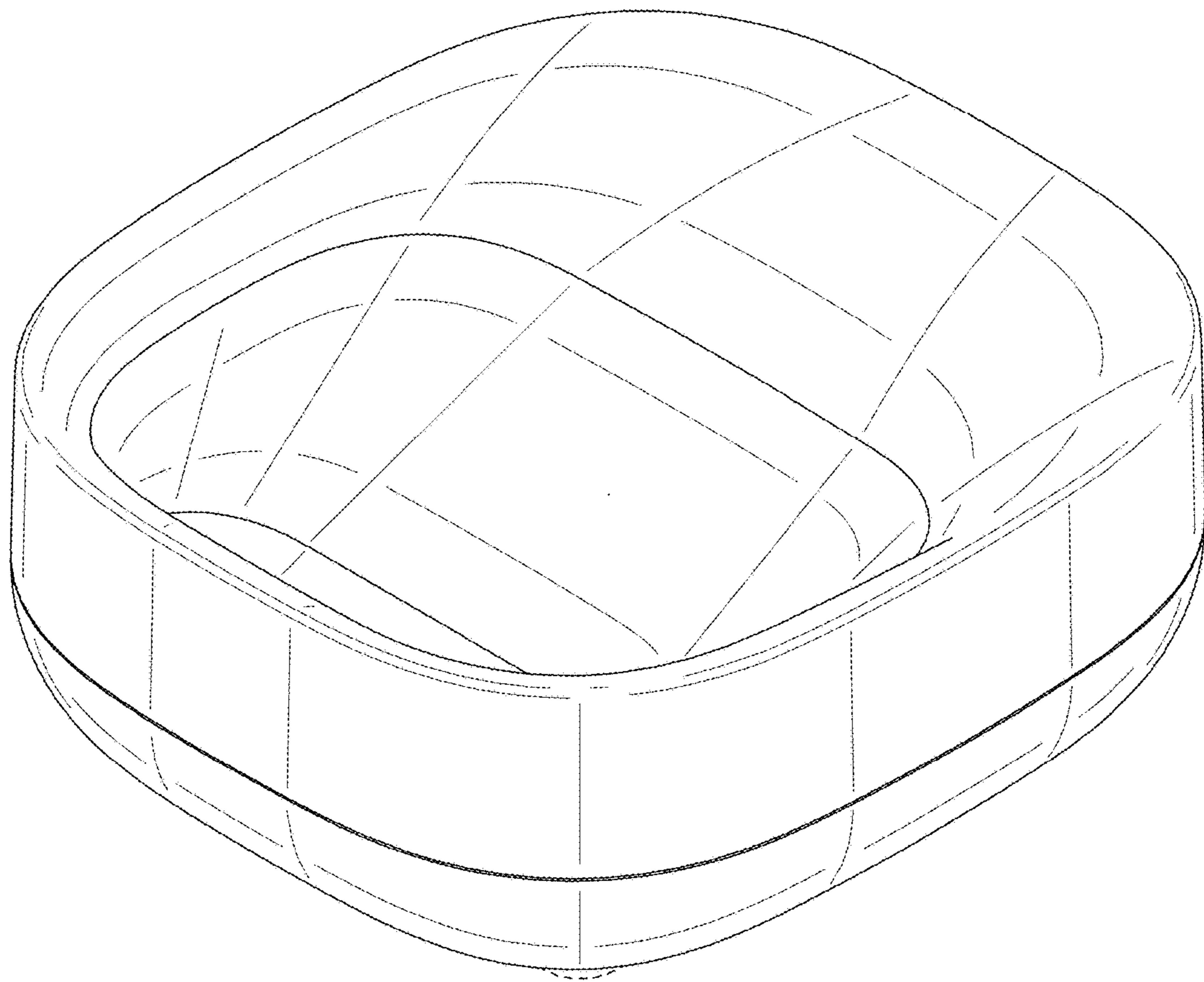


FIG. 1

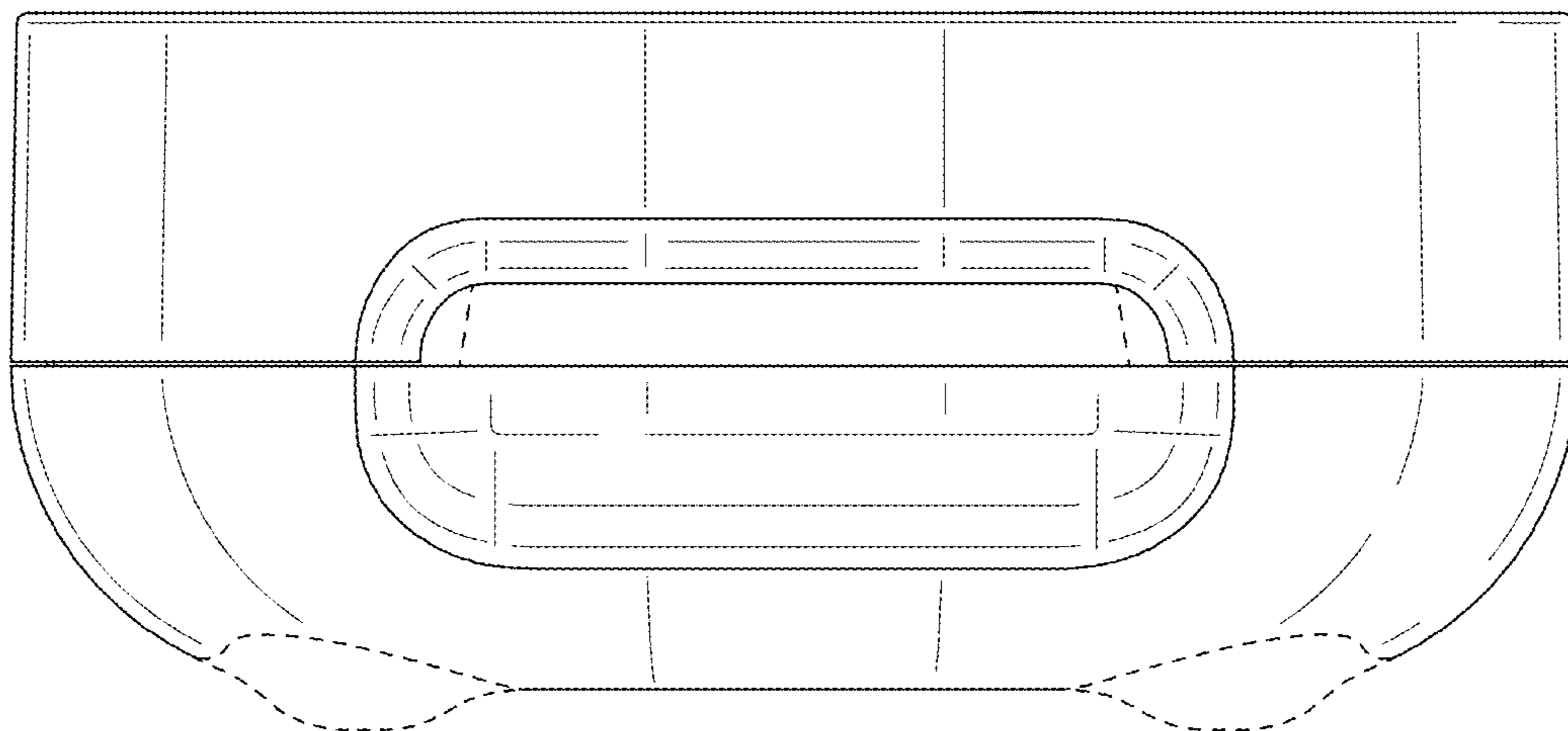


FIG. 2

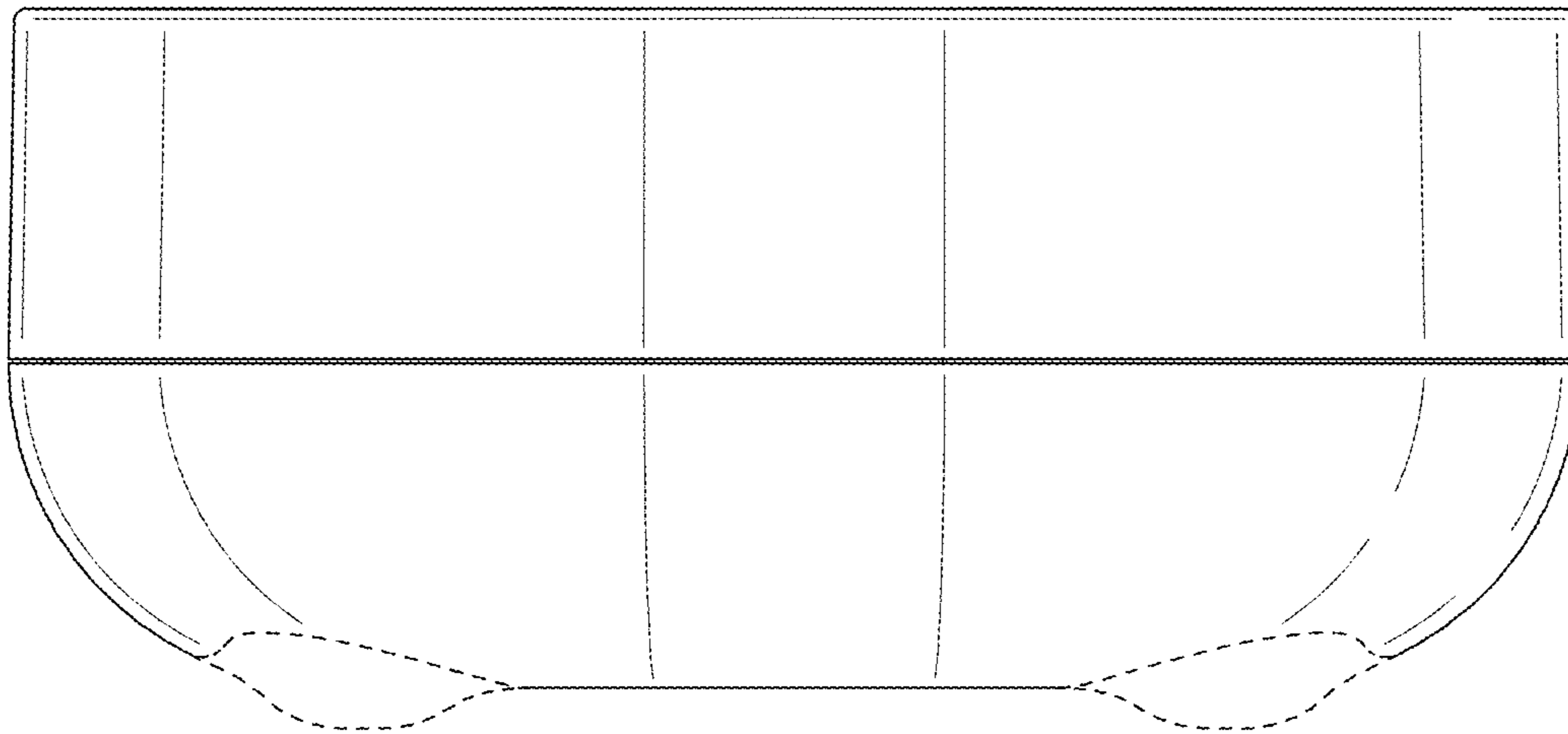


FIG. 3

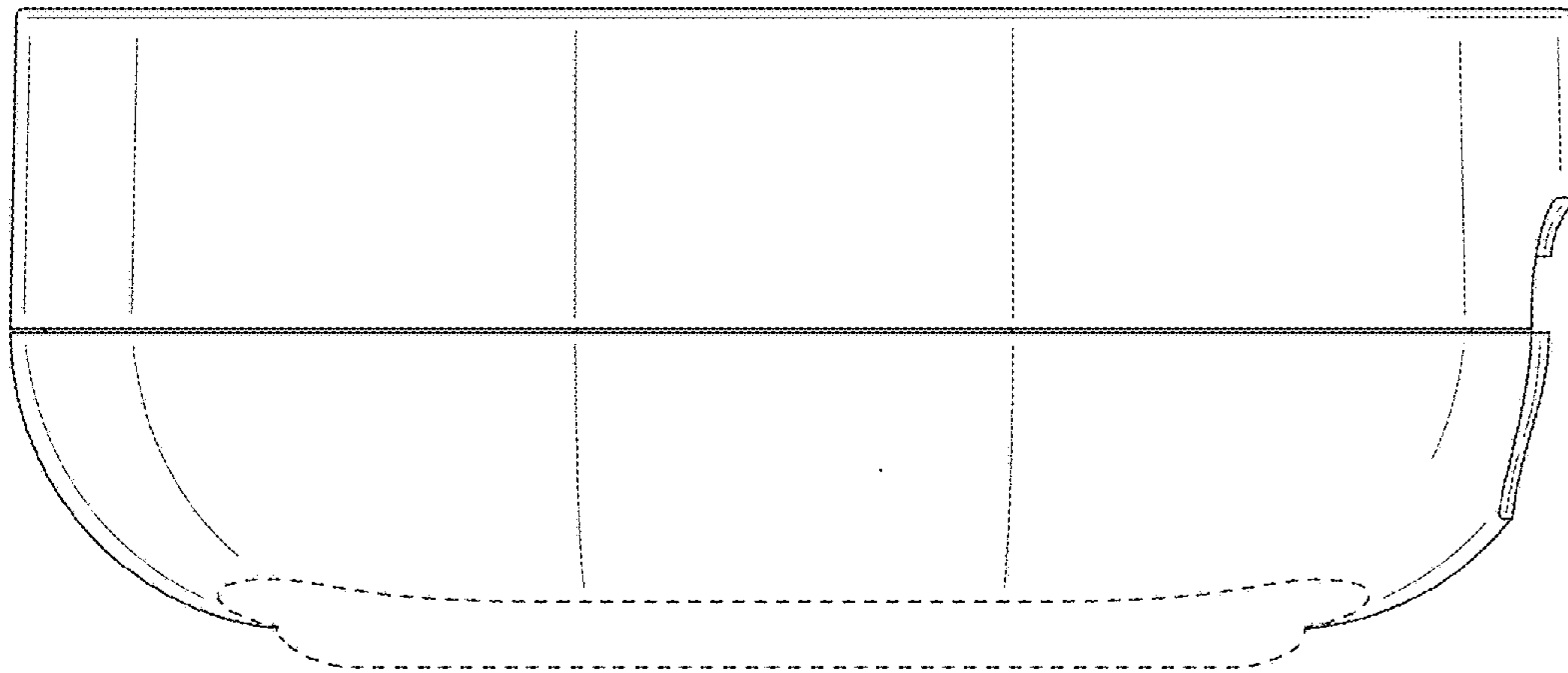


FIG. 4

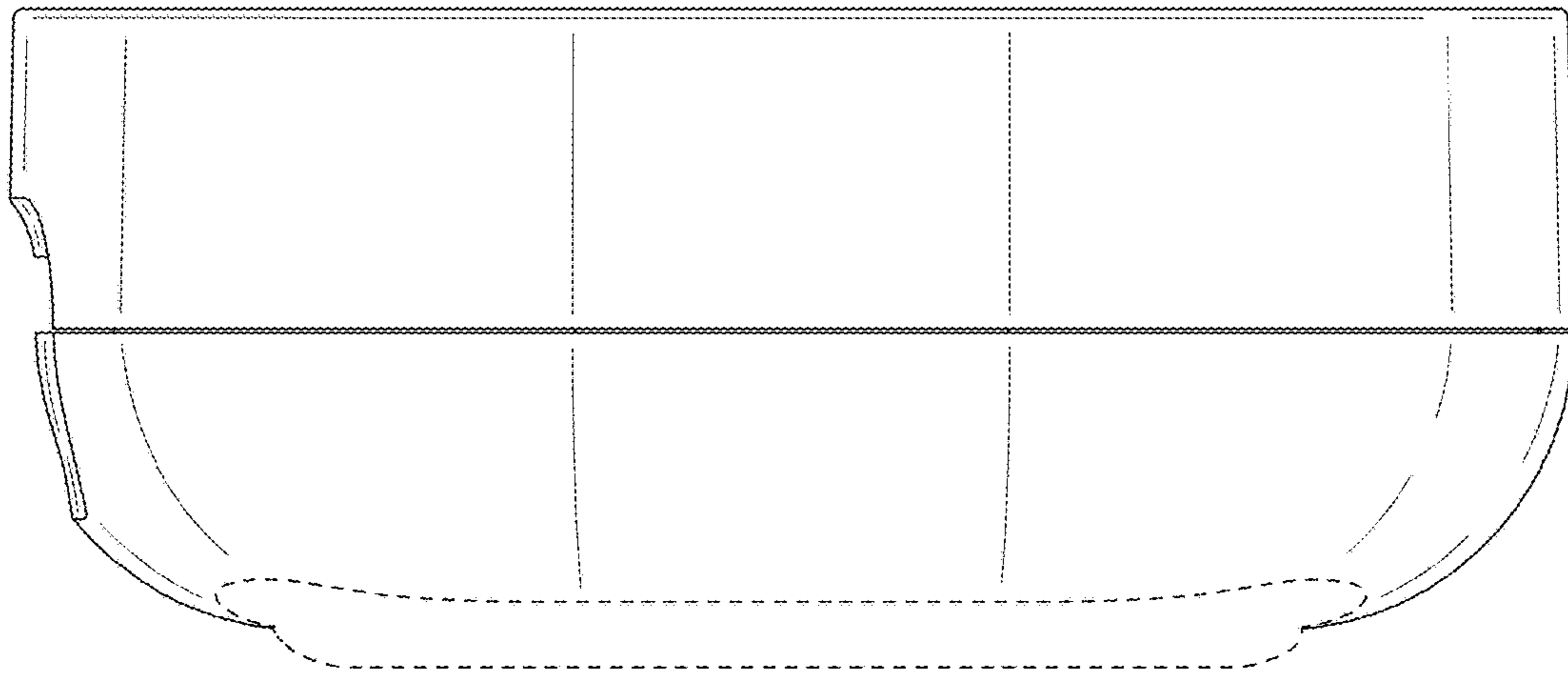


FIG. 5

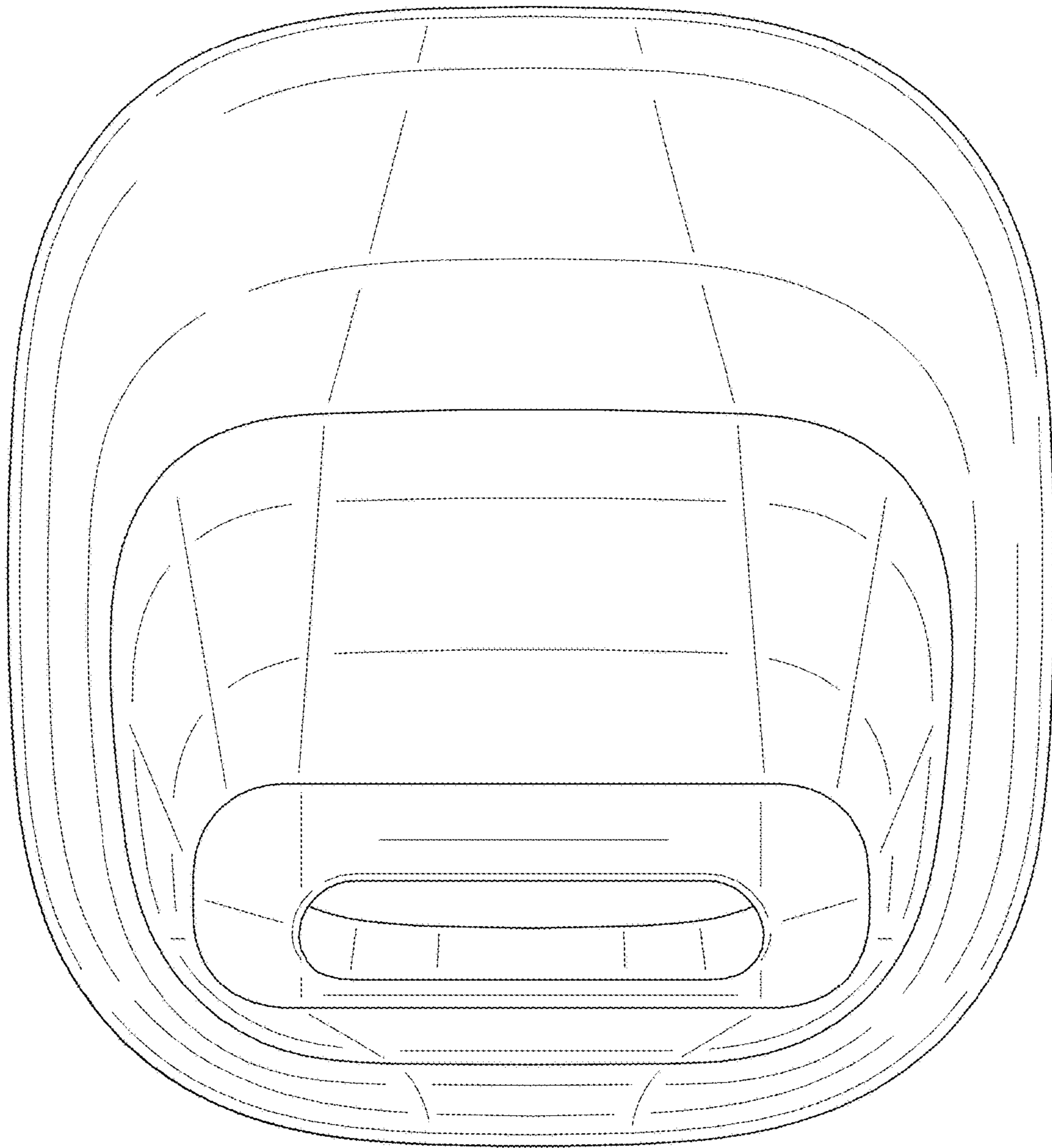


FIG. 6

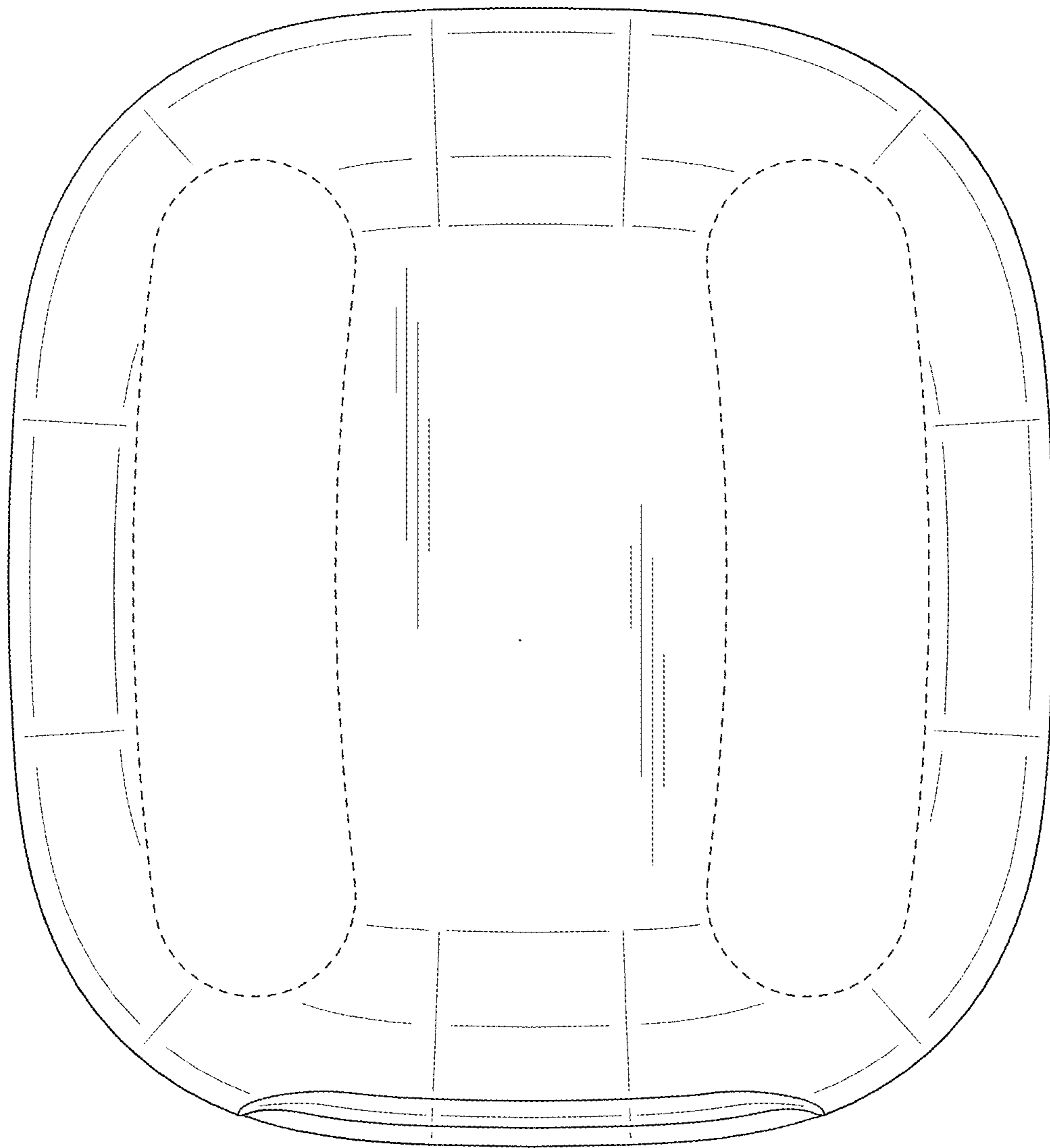


FIG. 7



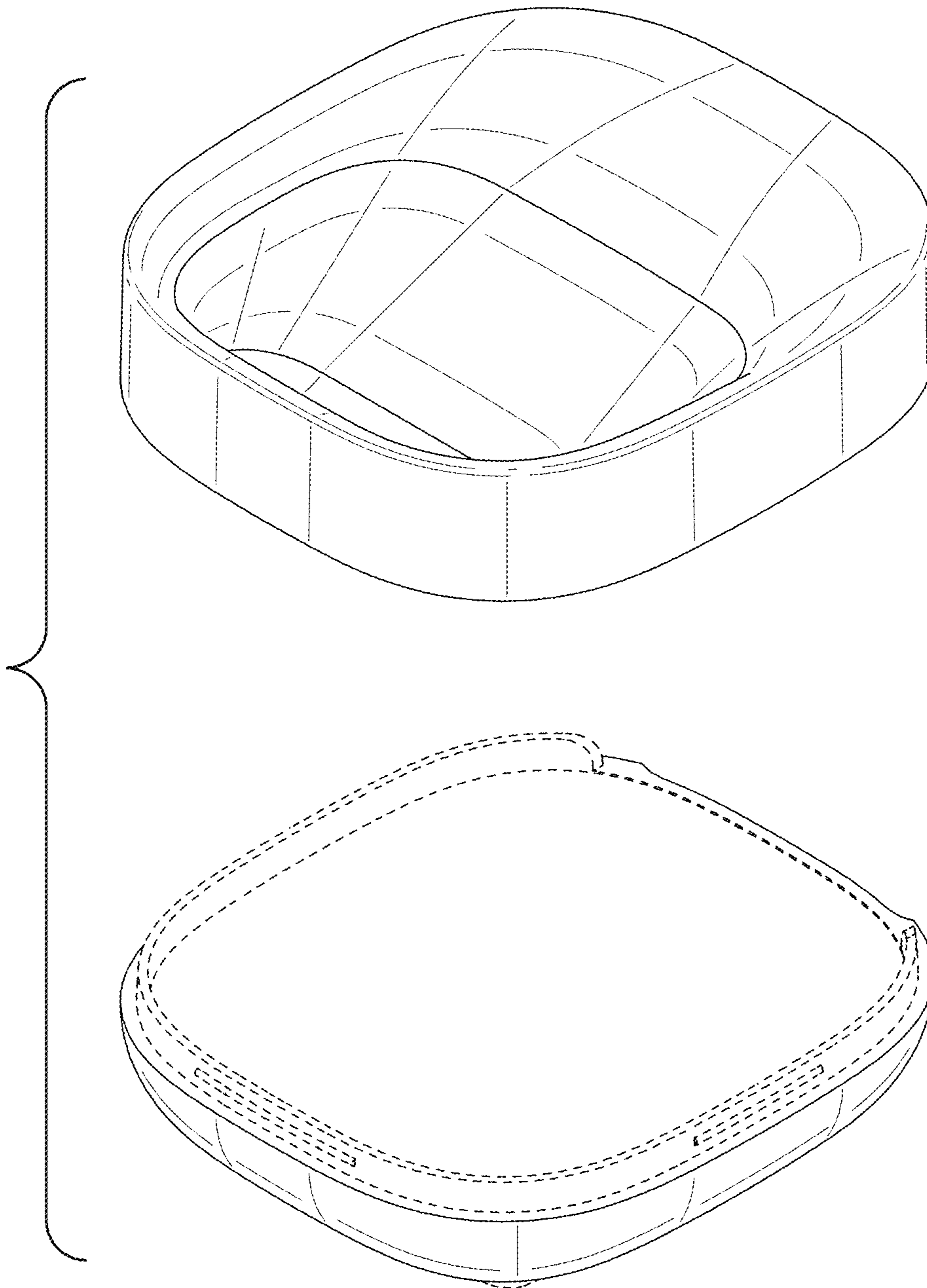


FIG. 8

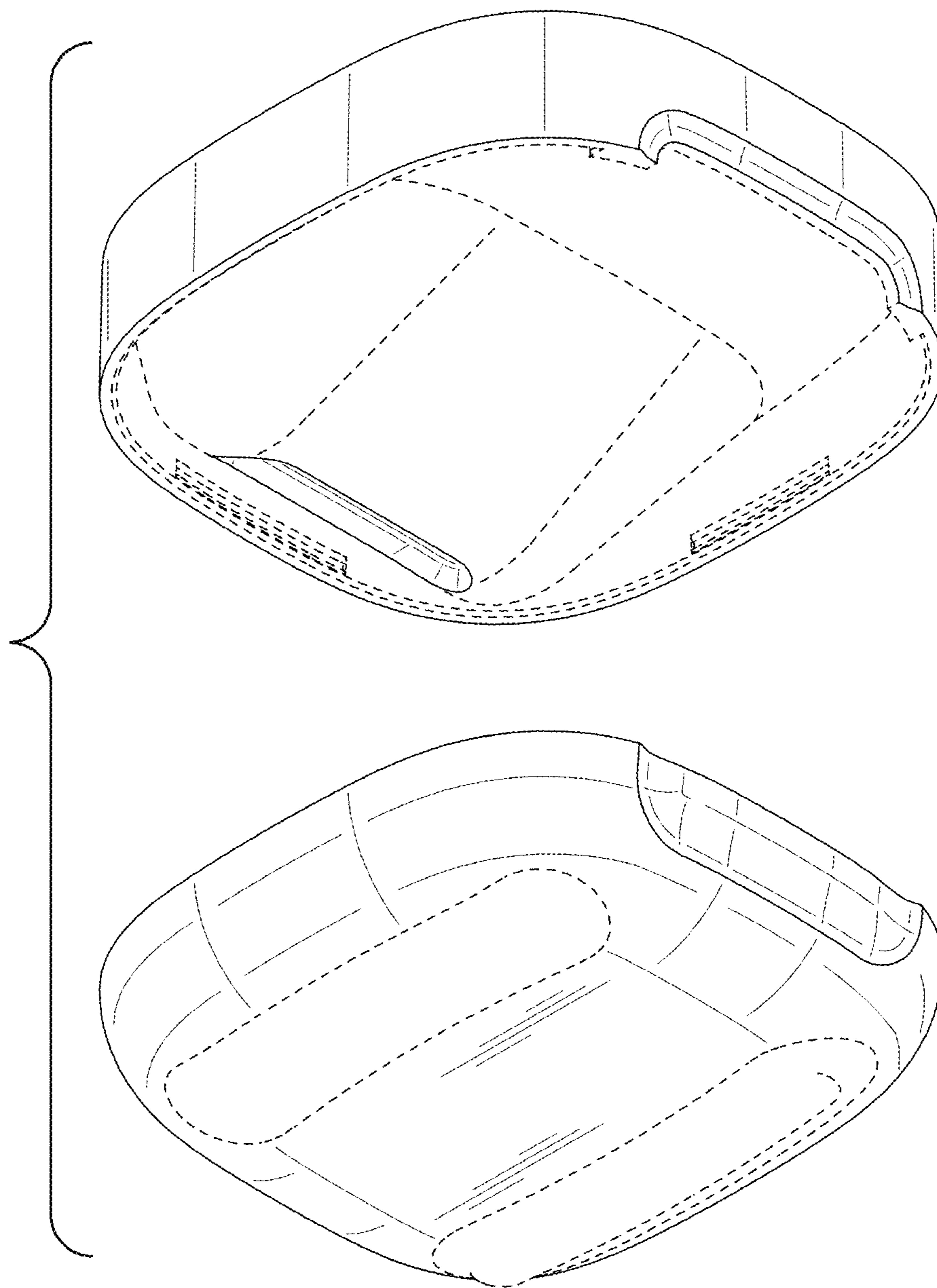


FIG. 9