



US00D838508S

(12) **United States Design Patent**
Ghiorghie

(10) **Patent No.:** **US D838,508 S**

(45) **Date of Patent:** **** Jan. 22, 2019**

- (54) **HOLDER**
- (71) Applicant: **InterDesign, Inc.**, Solon, OH (US)
- (72) Inventor: **Radu Alexandru Ghiorghie**, Copley, OH (US)
- (73) Assignee: **InterDesign, Inc.**, Solon, OH (US)
- (**) Term: **15 Years**
- (21) Appl. No.: **29/595,931**
- (22) Filed: **Mar. 3, 2017**
- (51) **LOC (11) Cl.** **23-02**
- (52) **U.S. Cl.**
USPC **D6/525**
- (58) **Field of Classification Search**
USPC D6/524-525, 566, 536, 540, 567, 570;
211/13.1, 74, 71.01, 86.01, 75, 88.01,
211/90.01, 90.03, 106, 119, 126.1, 133.5,
211/181.1, 134
CPC A47B 81/00; A47B 45/00; A47B 57/00;
A47B 57/26; A47B 96/02; B65D 21/086;
B65D 25/04
See application file for complete search history.

- D566,439 S * 4/2008 Dretzka A47K 3/281
D6/525
- D572,062 S * 7/2008 Snider A47K 3/281
D6/525
- D575,087 S * 8/2008 Ghiorghie A47K 3/281
D6/525
- D630,035 S * 1/2011 Snider A47K 3/281
D6/525
- D640,488 S * 6/2011 Didehvar D6/525
- D641,190 S * 7/2011 Cittadino D6/525
- D643,236 S * 8/2011 Cittadino D6/525
- D643,657 S * 8/2011 Cittadino D6/525
- D644,050 S * 8/2011 Cittadino D6/525
- D647,747 S * 11/2011 Guindi D6/525
- D677,089 S * 3/2013 Tawil D6/525

(Continued)

Primary Examiner — David G Muller
Assistant Examiner — Nathan M Johnston
 (74) *Attorney, Agent, or Firm* — Calfee, Halter & Griswold, LLP

(57) **CLAIM**

I claim the ornamental design for a holder, as shown and described.

DESCRIPTION

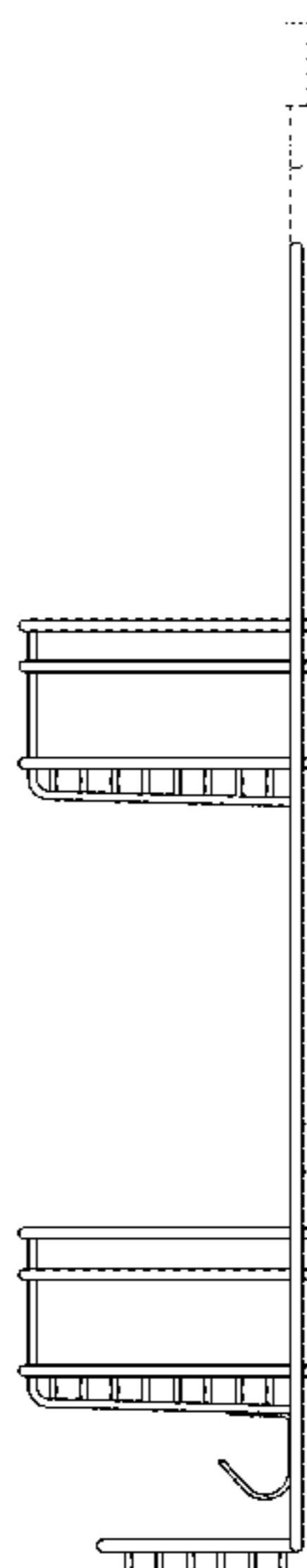
FIG. 1 is a front/left/top perspective view of a first embodiment of a holder; a front/right/top perspective view would be a mirror image thereof;
 FIG. 2 is a front elevational view thereof; and
 FIG. 3 is a right side elevational view thereof (a left side elevational view would be a mirror image thereof).
 FIG. 4 is a front/left/top perspective view of a second embodiment of a holder; a front/right/top perspective view would be a mirror image thereof;
 FIG. 5 is a front elevational view thereof; and,
 FIG. 6 is a right side elevational view thereof (a left side elevational view would be a mirror image thereof).
 The broken lines depict portions that form no part of the claimed design.

1 Claim, 6 Drawing Sheets

(56) **References Cited**

U.S. PATENT DOCUMENTS

- D409,424 S * 5/1999 Hofman D6/525
- D415,916 S * 11/1999 Hofman D6/525
- D512,861 S * 12/2005 Rosen A47K 3/281
D6/525
- D552,392 S * 10/2007 Rosen A47K 3/281
D6/525
- D552,393 S * 10/2007 Rosen A47K 3/281
D6/525
- D557,050 S * 12/2007 Dretzka A47K 3/281
D6/525
- D564,816 S * 3/2008 Snider A47K 3/281
D6/525



(56)

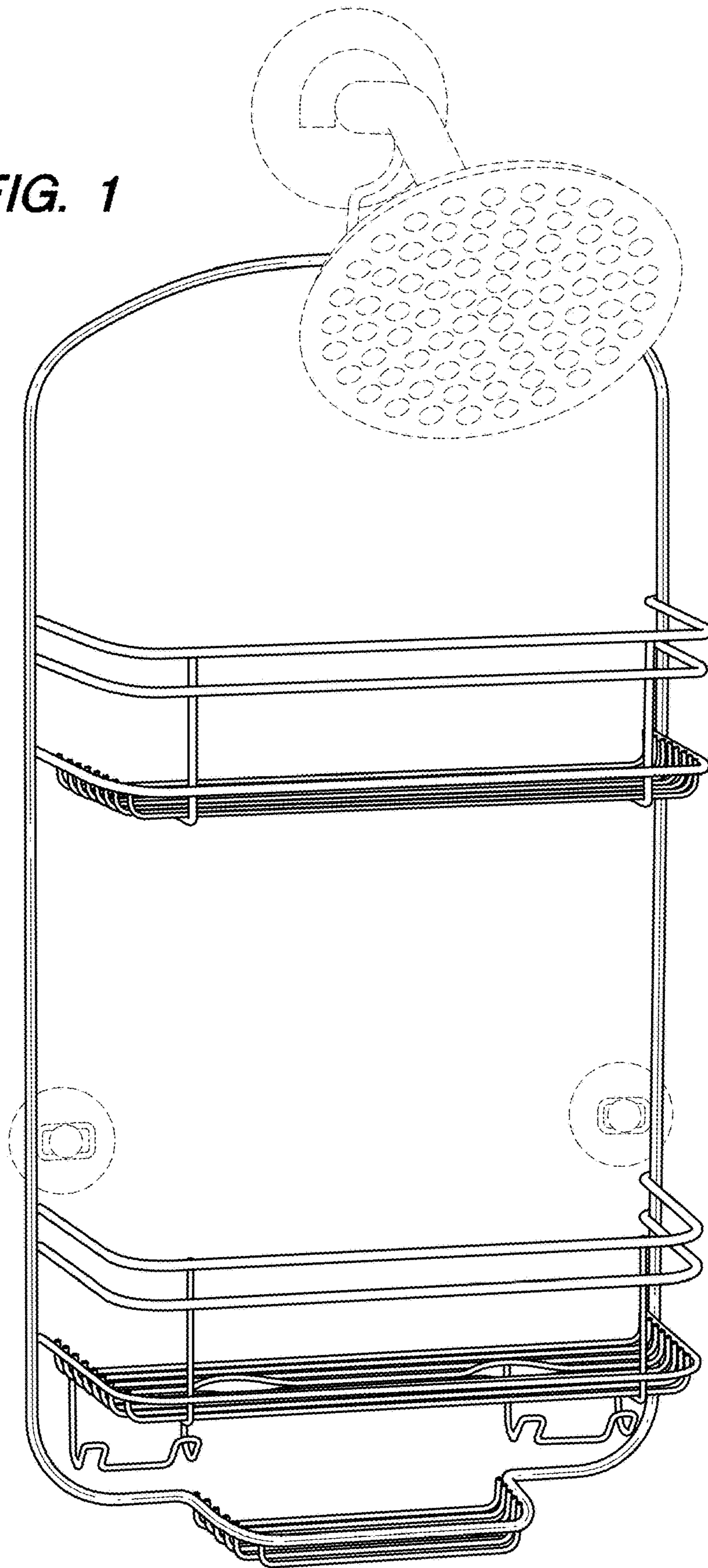
References Cited

U.S. PATENT DOCUMENTS

D694,548	S	*	12/2013	Snell	D6/525
D714,075	S	*	9/2014	Chung	D6/525
D714,571	S	*	10/2014	Walker	D6/525
D718,071	S	*	11/2014	Snider	D6/525
D718,554	S	*	12/2014	Snider	D6/525
D728,260	S	*	5/2015	Snider	D6/525
9,693,660	B1	*	7/2017	Stelmarski	A47K 3/281
2014/0284293	A1	*	9/2014	Greco	A47K 3/281 211/85.12

* cited by examiner

FIG. 1



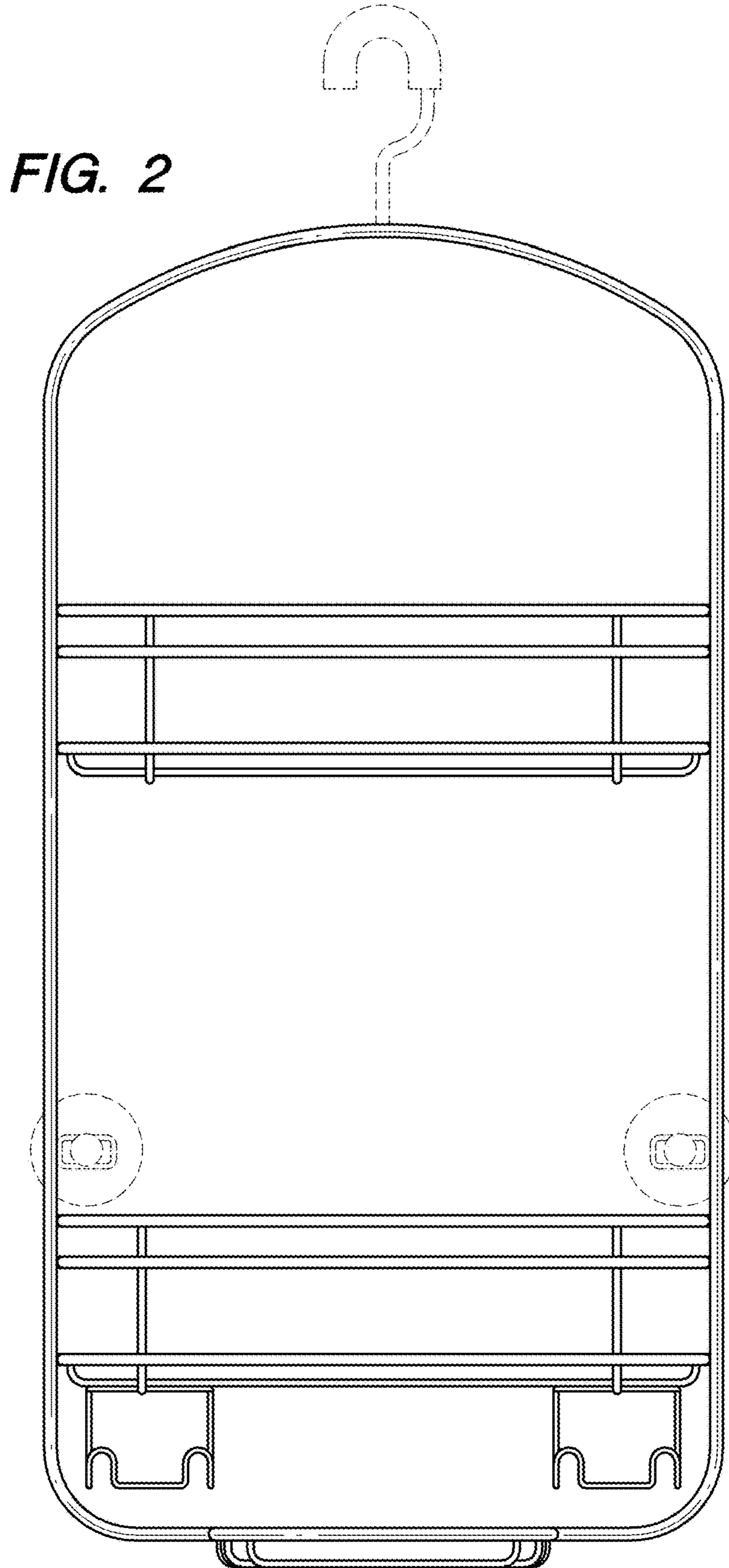


FIG. 3

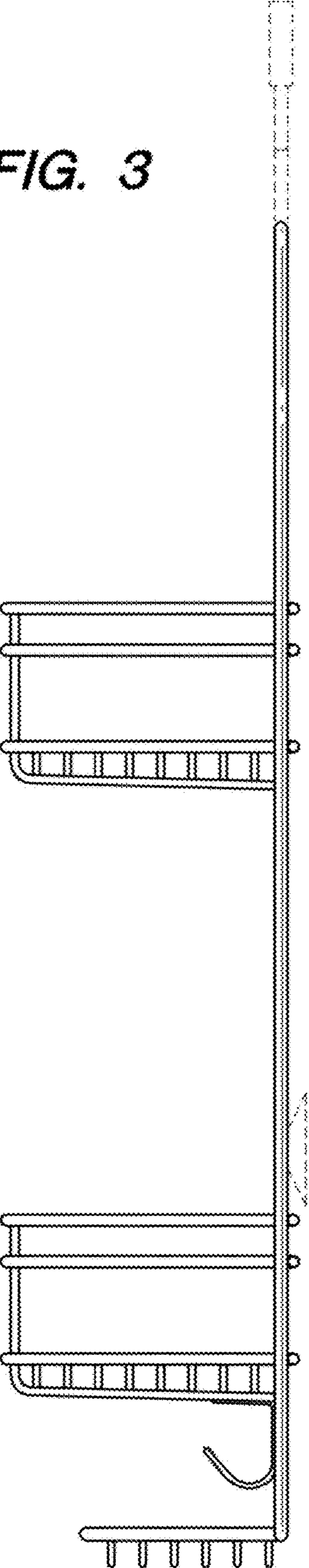


FIG. 4

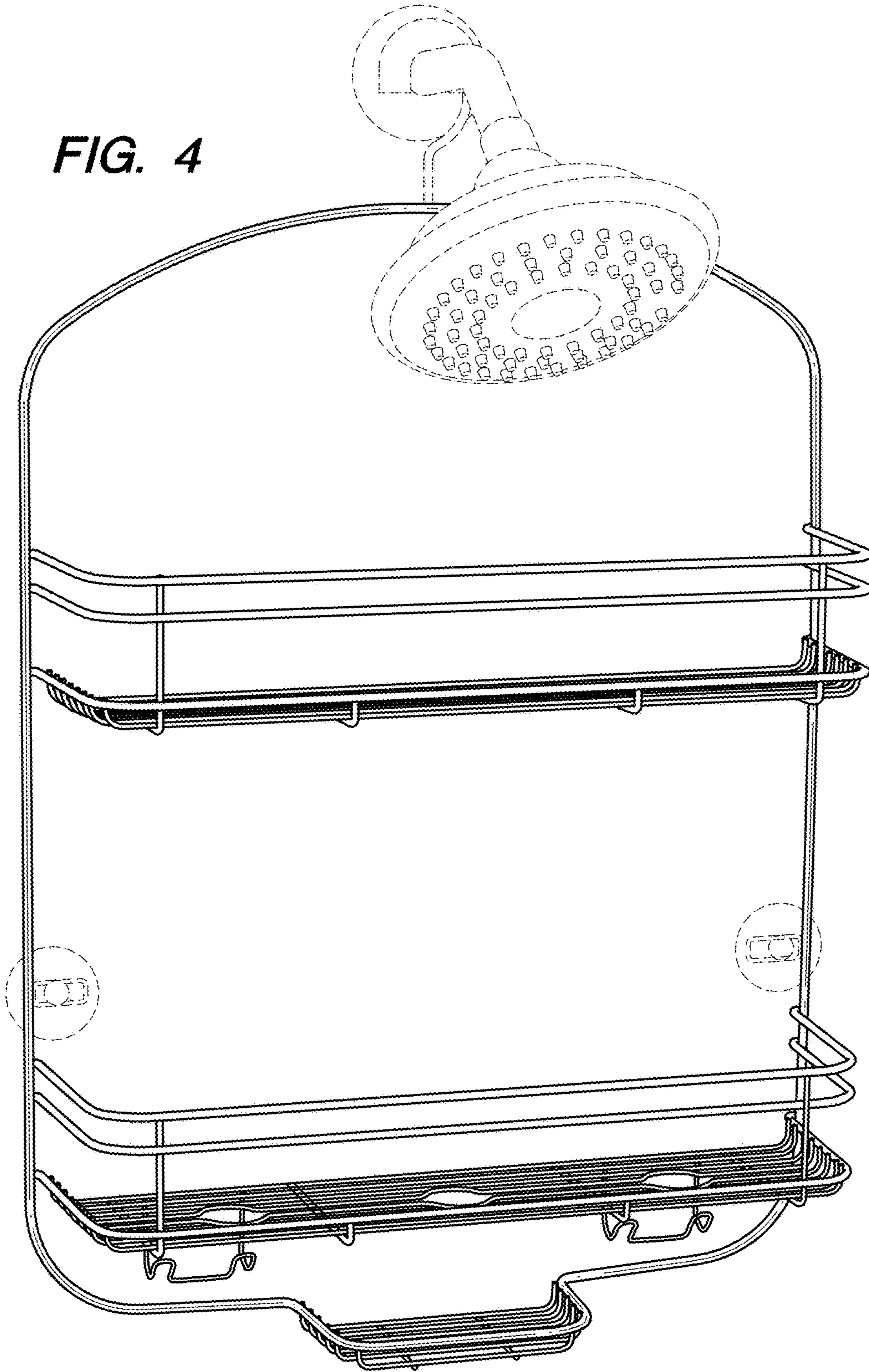


FIG. 5

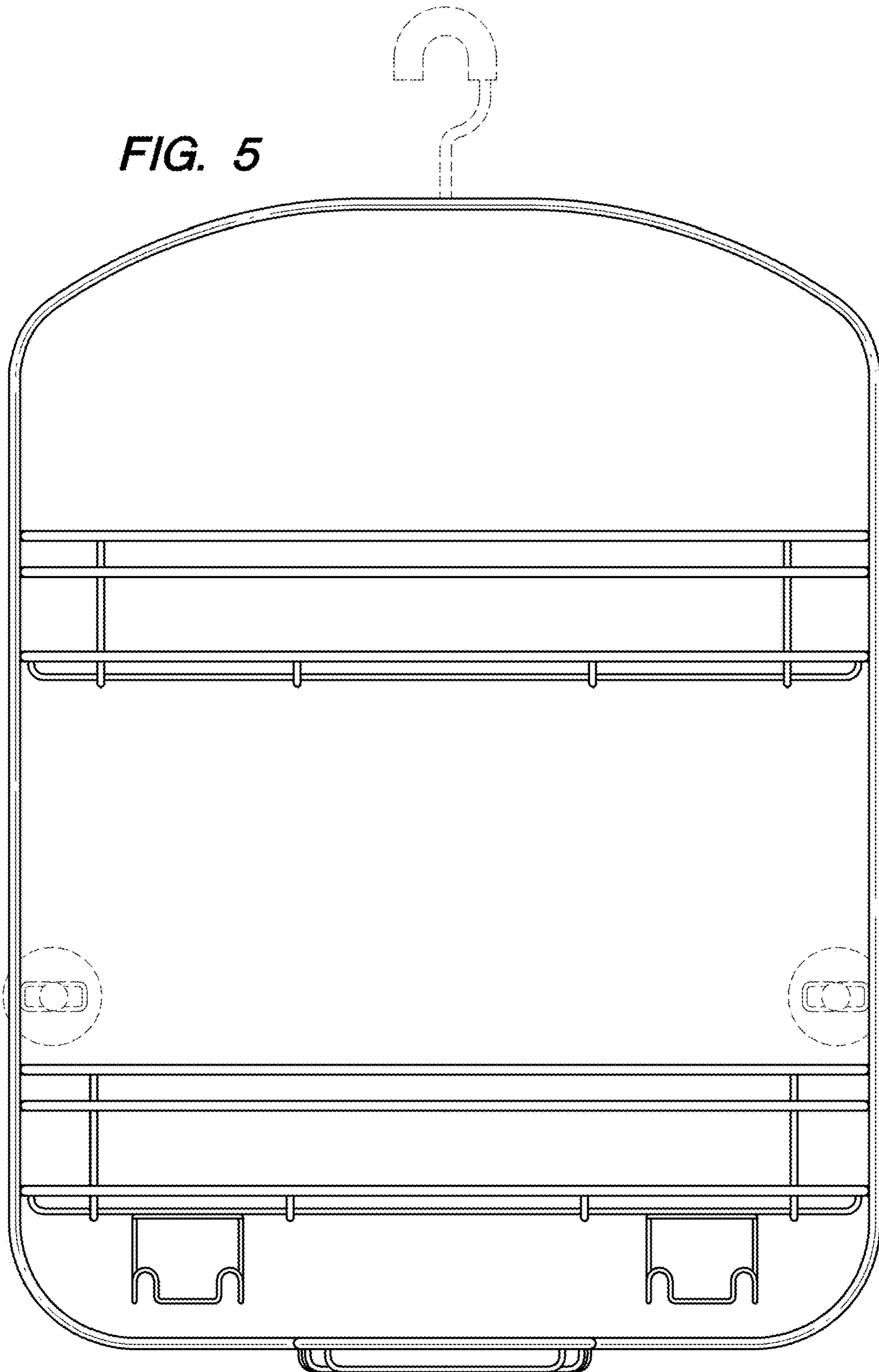


FIG. 6

