



US00D838507S

(12) **United States Design Patent**  
**Miller et al.**

(10) **Patent No.:** **US D838,507 S**  
(45) **Date of Patent:** **\*\* Jan. 22, 2019**

(54) **MERCHANDISER**

10/22; A47K 10/24; A47K 10/34; A47K  
10/3836; A47K 10/424

(71) Applicant: **SANFORD L.P.**, Downers Grove, IL  
(US)

See application file for complete search history.

(72) Inventors: **Daniel Miller**, Huntersville, NC (US);  
**Michael Gregory**, Huntersville, NC  
(US); **Katelyn Marie Mcinerney**,  
Greer, SC (US); **Paul N. Eifert**,  
Chicago, IL (US); **Roman Piekosz**,  
Chicago, IL (US); **Bartholomew**  
**Briggs**, Charlotte, NC (US)

(56) **References Cited**

U.S. PATENT DOCUMENTS

1,833,999	A *	12/1931	McCaskey .....	B65D 83/00 225/44
2,303,173	A *	11/1942	Roehrl .....	G03B 17/30 206/409
D272,970	S *	3/1984	Hasegawa .....	D6/518
D289,592	S *	5/1987	Loughridge .....	D6/518
4,771,966	A *	9/1988	Anderson .....	A47K 10/40 225/51
4,860,893	A *	8/1989	Kaufman .....	B65D 33/24 206/390
D308,445	S *	6/1990	Loughridge .....	D6/518
D316,789	S *	5/1991	McLaughlin .....	D6/522
D327,798	S *	7/1992	Addison .....	D6/523

(Continued)

(73) Assignee: **SANFORD L.P.**, Downers Grove, IL  
(US)

(\*\*) Term: **15 Years**

*Primary Examiner* — David G Muller

*Assistant Examiner* — Nathan M Johnston

(74) *Attorney, Agent, or Firm* — Marshall, Gerstein &  
Borun LLP

(21) Appl. No.: **29/588,779**

(22) Filed: **Dec. 22, 2016**

**Related U.S. Application Data**

(63) Continuation-in-part of application No. 15/274,794,  
filed on Sep. 23, 2016.

(51) **LOC (11) Cl.** ..... **20-02**

(52) **U.S. Cl.**  
USPC ..... **D6/515**

(58) **Field of Classification Search**  
USPC ..... D6/515, 518–523; D3/203.2, 203.4;  
D9/731

CPC .. B65D 85/04; B65D 85/672; B65D 83/0805;  
B65D 85/66; B65D 85/671; B65D  
2519/00019; B65D 2519/00159; B65D  
2519/00273; B65D 71/0096; B65D 19/06;  
B65D 2519/00054; B65D 2519/0089;  
A47K 10/36; A47K 10/38; A47K 10/32;  
A47K 2010/3253; A47K 10/28; A47K  
10/3827; A47K 2010/3233; A47K 10/40;  
A47K 10/3818; A47K 2010/3206; A47K

(57) **CLAIM**

The ornamental design for a merchandiser, as shown and  
described.

**DESCRIPTION**

FIG. 1 is a front, right-side perspective view of a merchandiser that has a second embodiment of the design.

FIG. 2 is a front view of the merchandiser.

FIG. 3 is a rear view of the merchandiser.

FIG. 4 is a right-side view of the merchandiser.

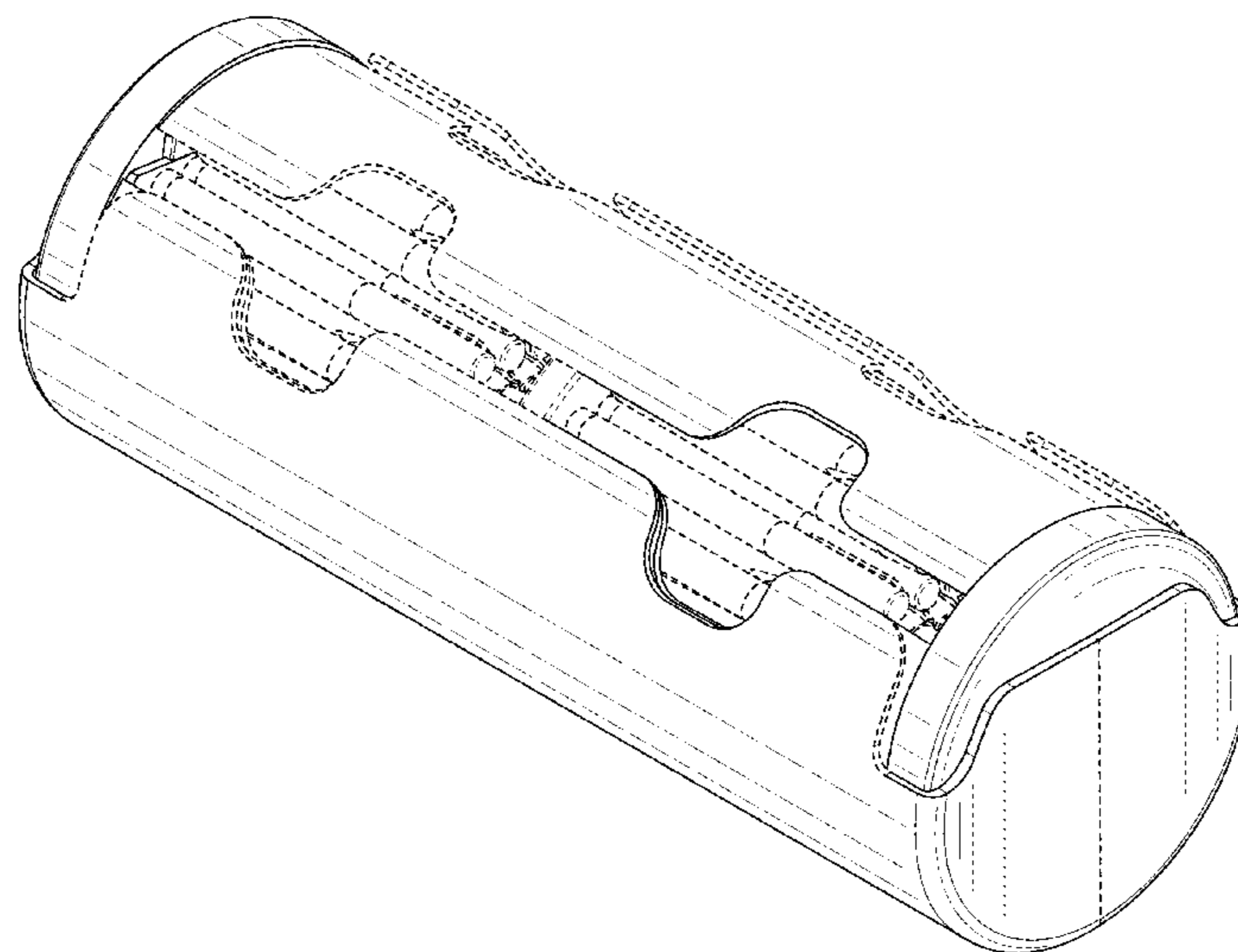
FIG. 5 is a left side view of the merchandiser.

FIG. 6 is a top view of the merchandiser; and,

FIG. 7 is a bottom view of the merchandiser.

The broken lines show elements of the merchandiser that form no part of the claimed design.

**1 Claim, 6 Drawing Sheets**



(56)

**References Cited**

U.S. PATENT DOCUMENTS

5,135,134	A *	8/1992	Dancy .....	B65H 35/002 221/155
5,172,966	A *	12/1992	Myatt .....	A47K 10/38 225/43
5,680,978	A *	10/1997	Pinion .....	B65D 85/672 220/230
D389,683	S *	1/1998	Herrera .....	D6/522
5,788,302	A *	8/1998	Barrash .....	B65D 71/50 206/148
D419,805	S *	2/2000	Fluegge .....	D6/522
D450,961	S *	11/2001	Loud .....	D6/520
D452,788	S *	1/2002	Neiberger .....	D6/518
D480,901	S *	10/2003	Millington .....	D6/518
D551,885	S *	10/2007	Kikuchi .....	D6/522
D603,635	S *	11/2009	Krebs .....	D6/518
D616,233	S *	5/2010	Yang .....	D6/518
D701,433	S *	3/2014	Ahlstrom .....	D7/608
D710,656	S *	8/2014	Stewart .....	D7/637
D728,256	S *	5/2015	De Rossi .....	D6/515
D733,457	S *	7/2015	Pedersen .....	G09F 7/04 D6/553
D778,083	S *	2/2017	Abbott .....	D6/518

\* cited by examiner

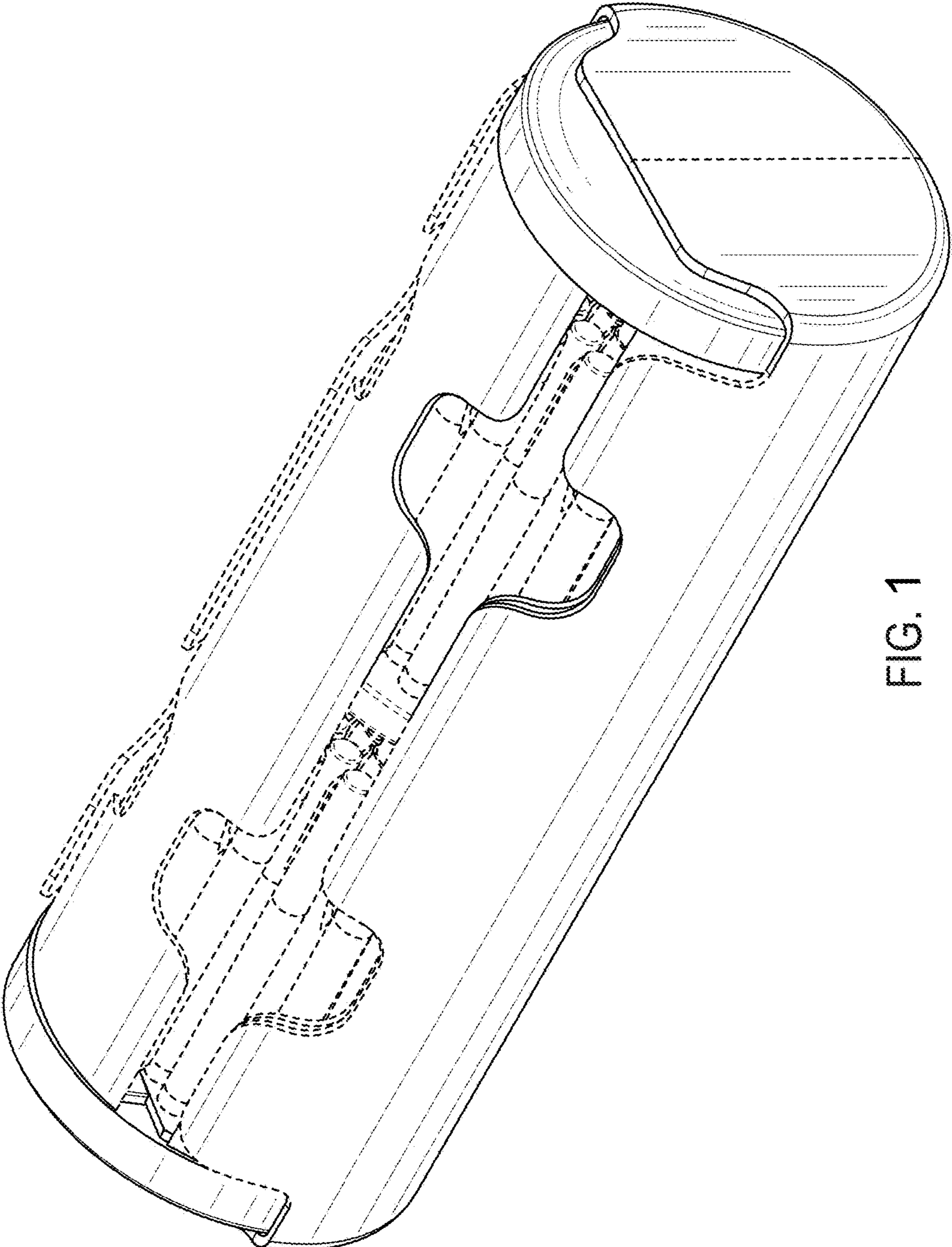


FIG. 1

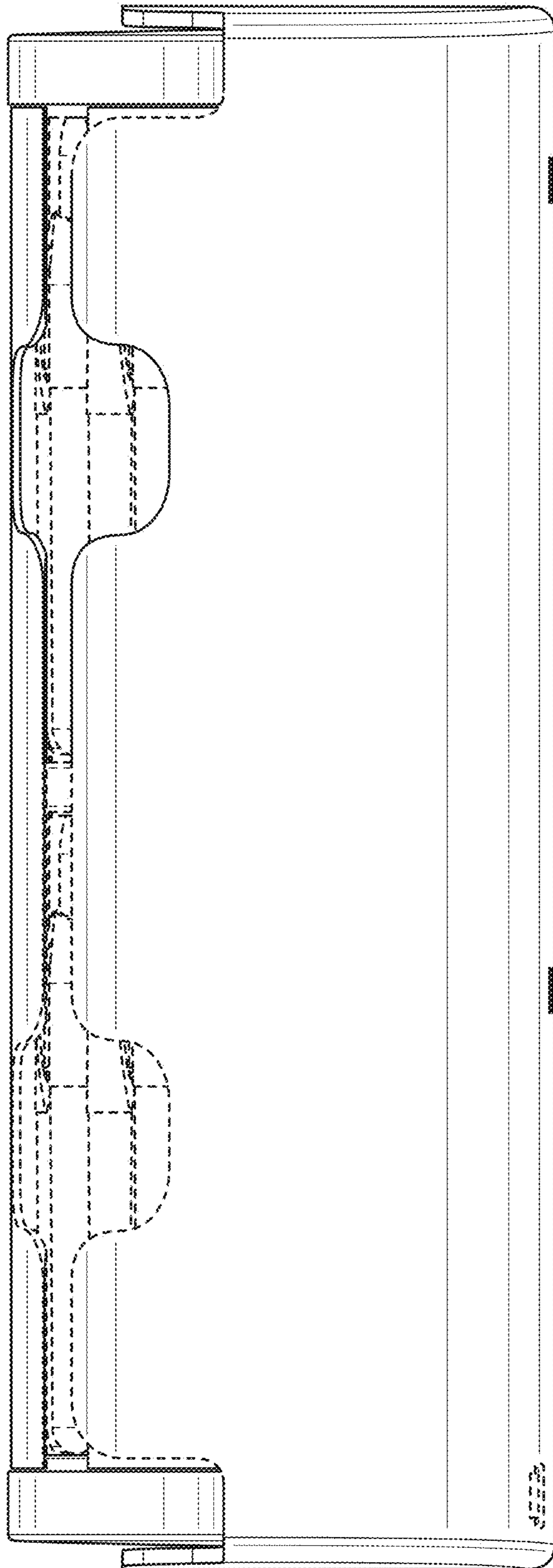


FIG. 2

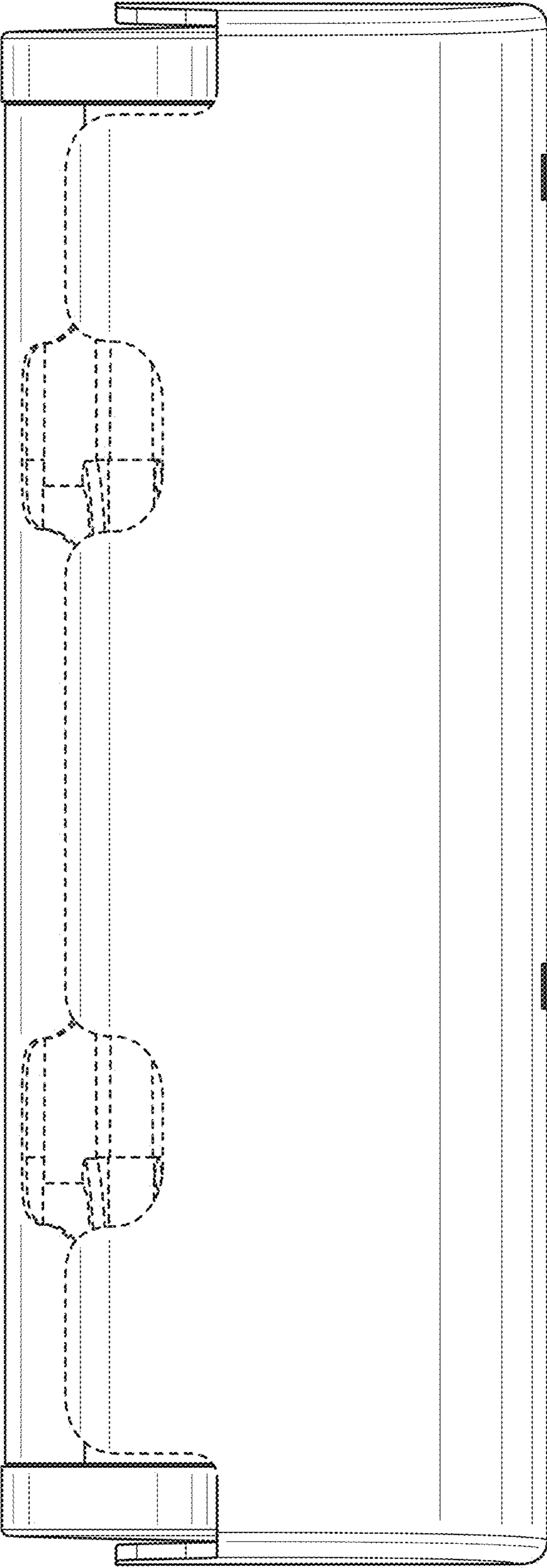


FIG. 3

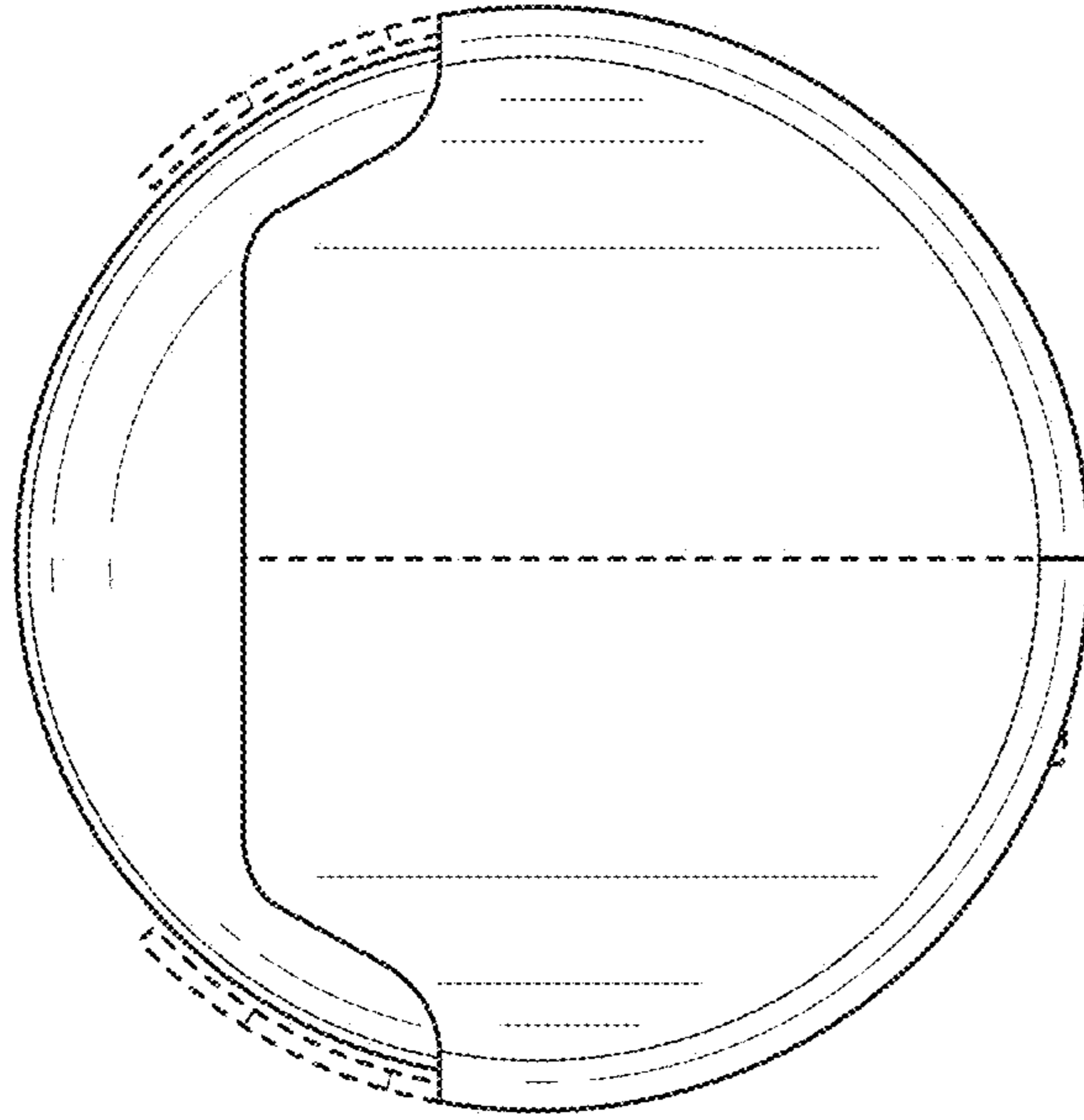


FIG. 5

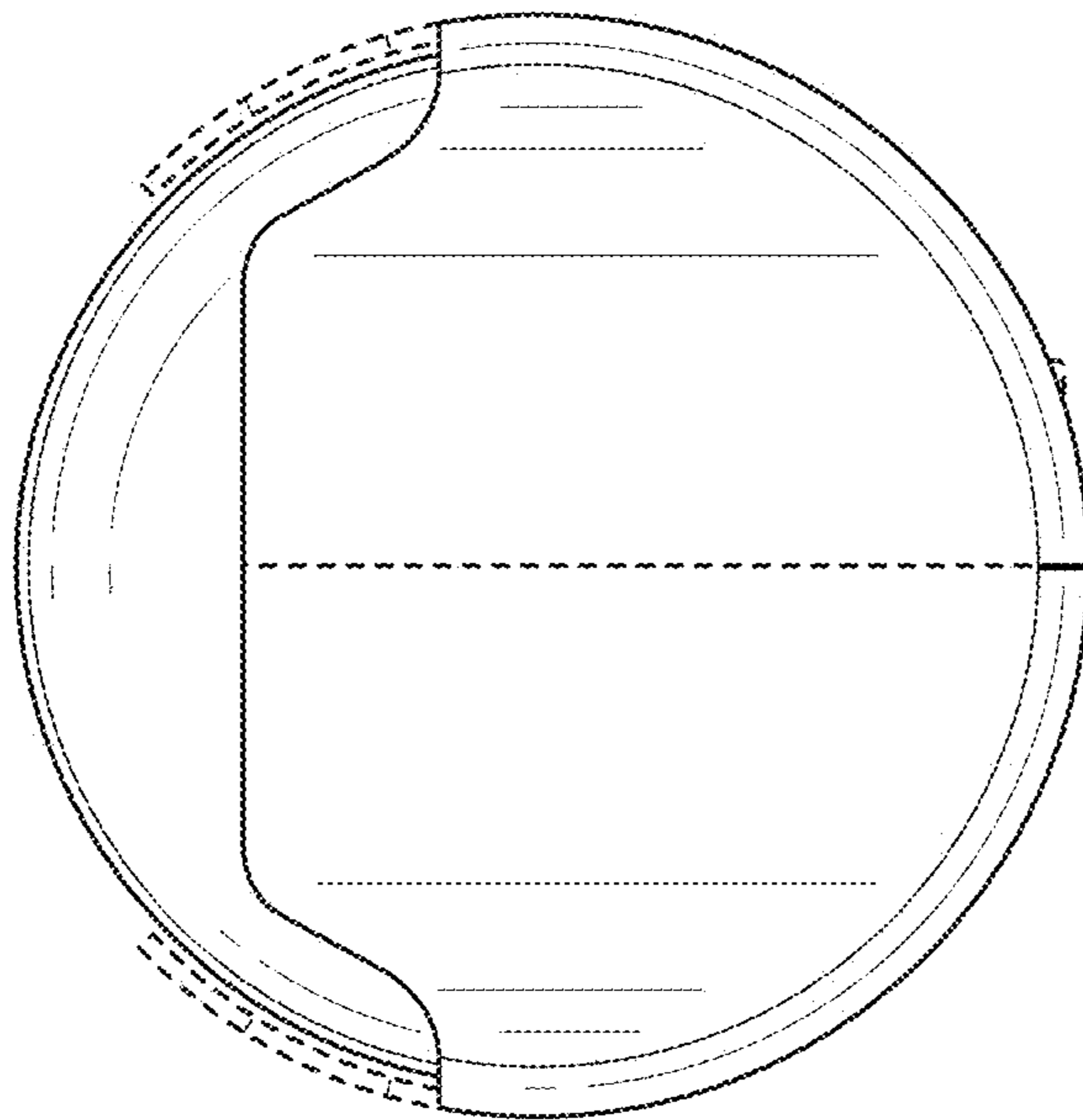


FIG. 4

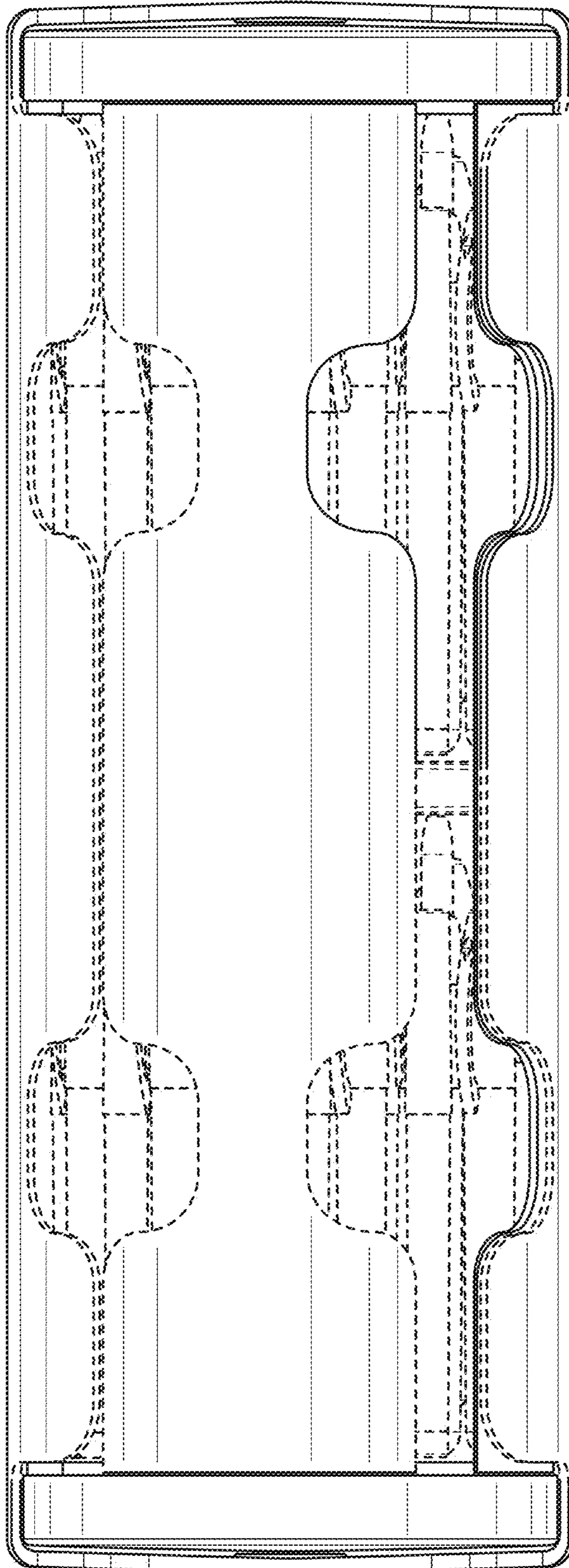


FIG. 6

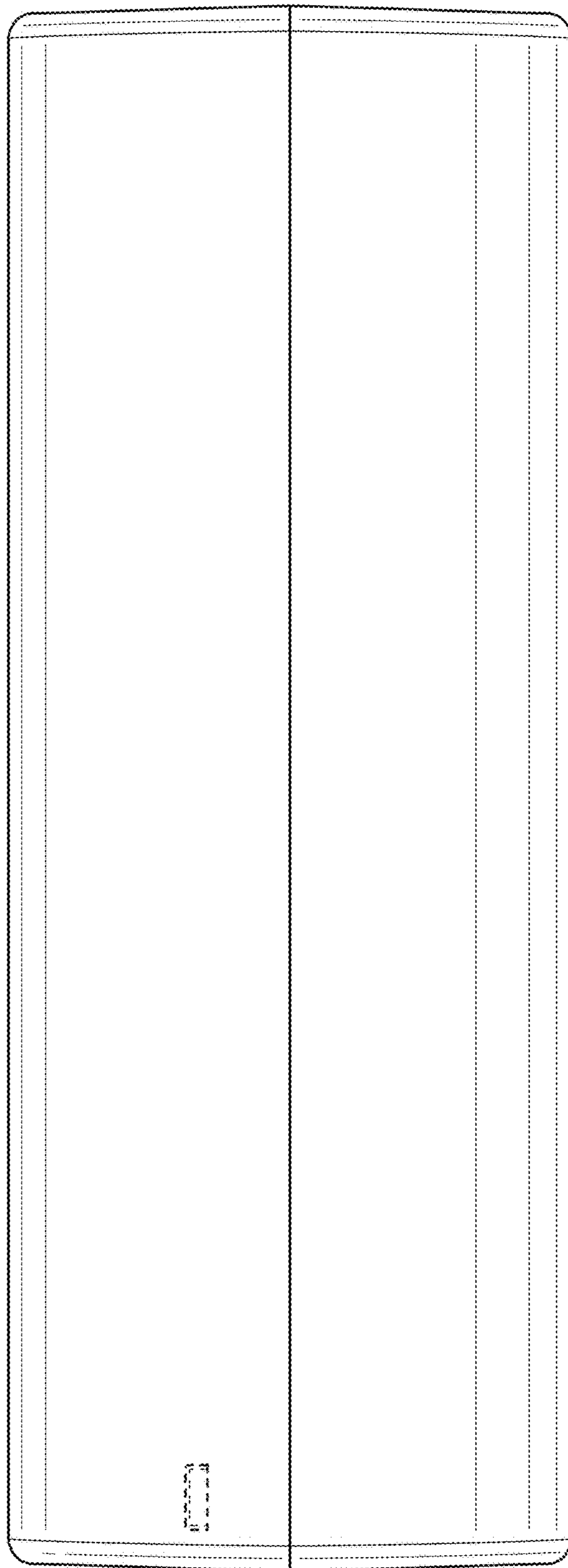


FIG. 7