



US00D838505S

(12) **United States Design Patent** (10) **Patent No.:** **US D838,505 S**  
**Ngo** (45) **Date of Patent:** **\*\* Jan. 22, 2019**

(54) **CHAIR**

OTHER PUBLICATIONS

(71) Applicant: **Whale Spa, Inc.**, Garden Grove, CA (US)

Nails Magazine, Nov. 2017, p. 114.

(72) Inventor: **Johnny Ngo**, Garden Grove, CA (US)

\* cited by examiner

(\*\*) Term: **15 Years**

*Primary Examiner* — Mimoso De

(21) Appl. No.: **29/632,897**

(74) *Attorney, Agent, or Firm* — CIONCA IP Law P.C.;  
Marin Cionca

(22) Filed: **Jan. 10, 2018**

(51) **LOC (11) Cl.** ..... **06-01**

(57) **CLAIM**

(52) **U.S. Cl.**

USPC ..... **D6/366**

The ornamental design for a chair, as shown and described.

(58) **Field of Classification Search**

USPC ..... D6/334–336, 364, 365, 366, 367, 374,  
D6/375, 716, 716.1, 716.2, 716.4

CPC .. A47C 3/18; A47C 3/20; A47C 7/002; A47C  
7/004; A47C 7/006; A47C 7/18; A47C  
7/24; A47C 7/40

See application file for complete search history.

**DESCRIPTION**

FIG. 1 is a front perspective view of a chair showing the new design;

FIG. 2 is a front elevation view thereof;

FIG. 3 is a left side elevation view thereof;

FIG. 4 is a top plan view thereof; and,

FIG. 5 is a rear elevation view thereof.

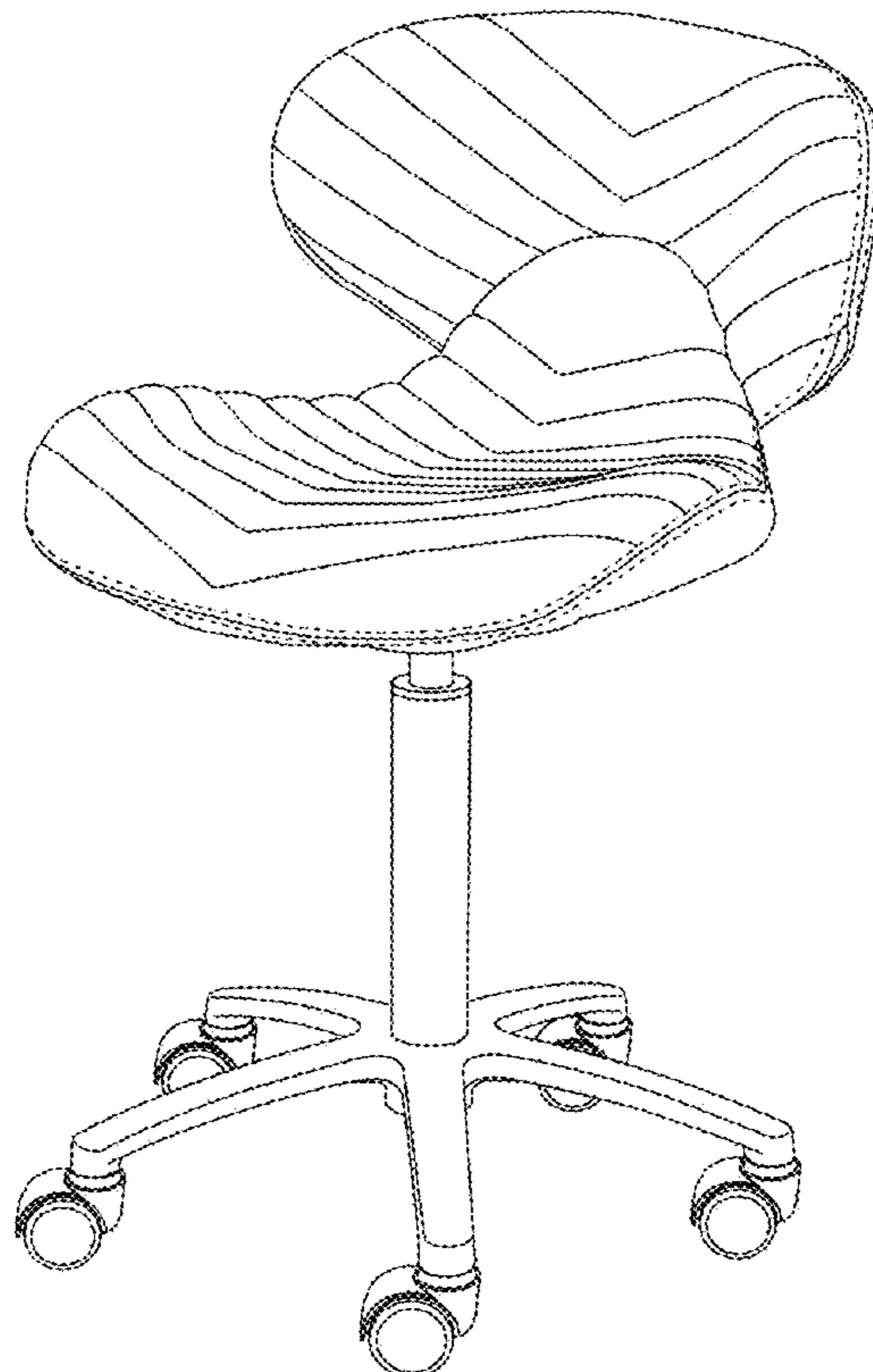
The dashed lines shown on the seat and backrest in all views are understood to represent stitching.

(56) **References Cited**

U.S. PATENT DOCUMENTS

D273,917 S \* 5/1984 Pelly ..... D6/366  
D763,588 S \* 8/2016 Chen ..... D6/366  
D770,789 S \* 11/2016 Chen ..... D6/366  
D781,606 S \* 3/2017 Ngo ..... D6/366

**1 Claim, 5 Drawing Sheets**



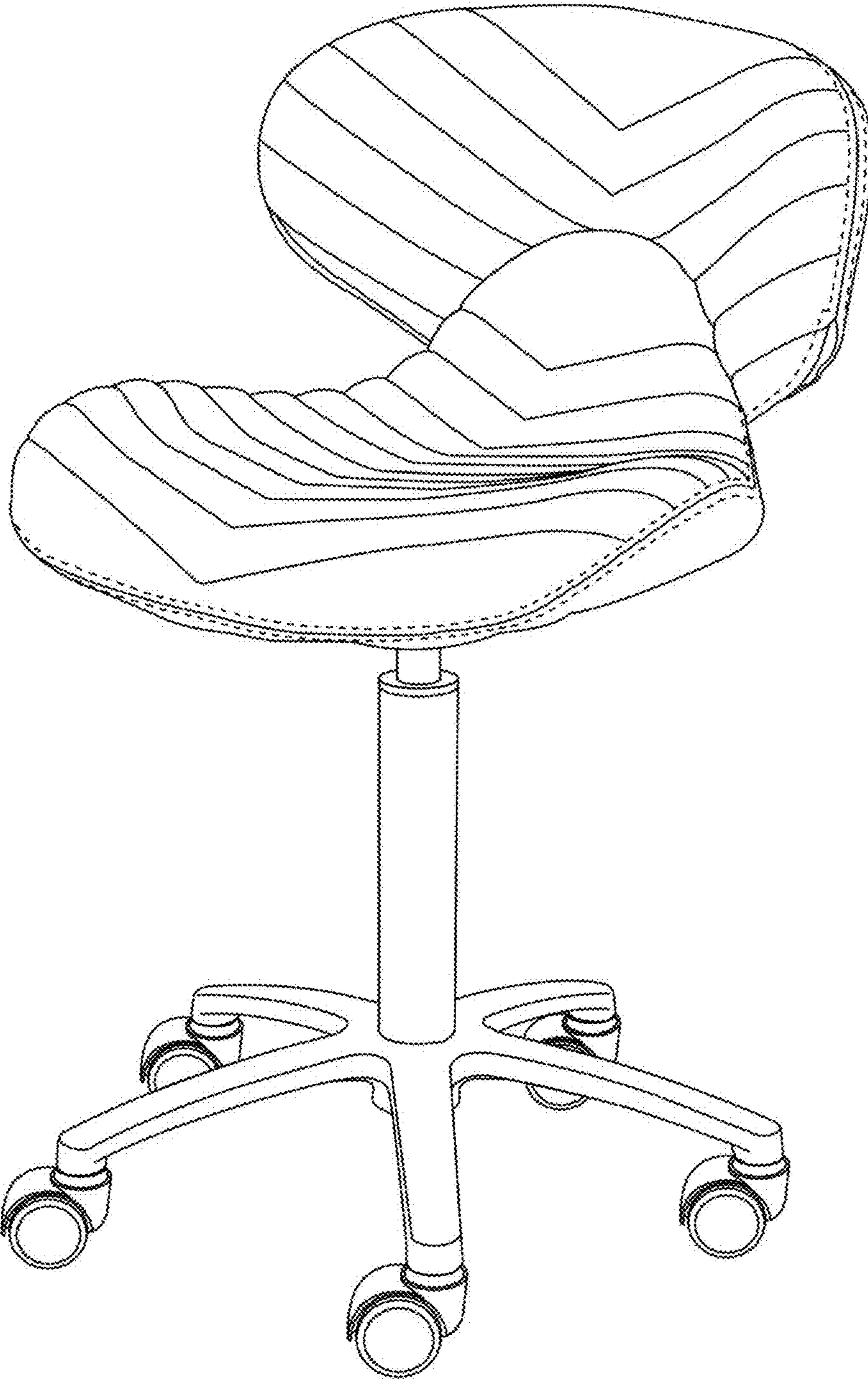


FIG. 1

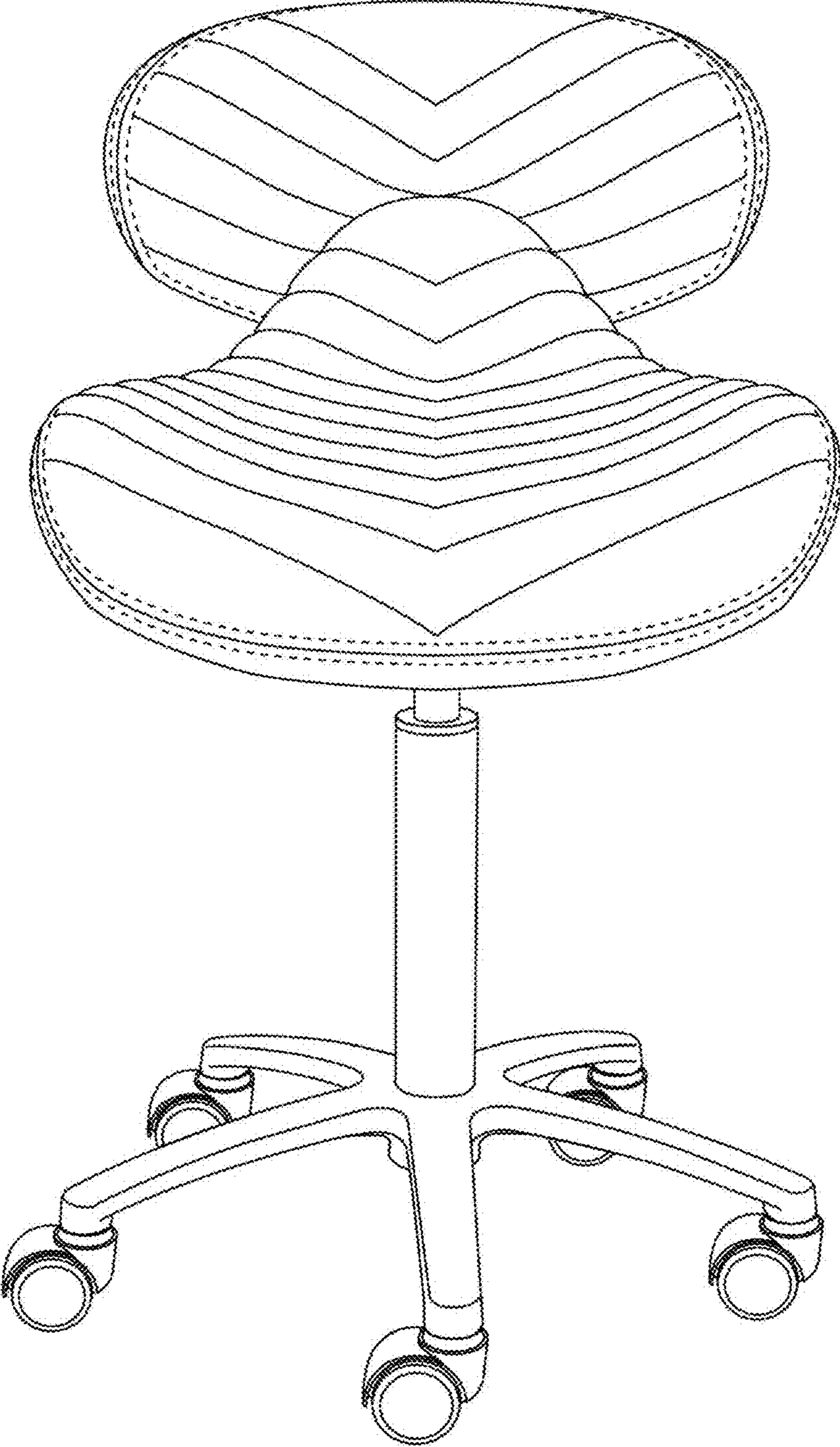


FIG. 2

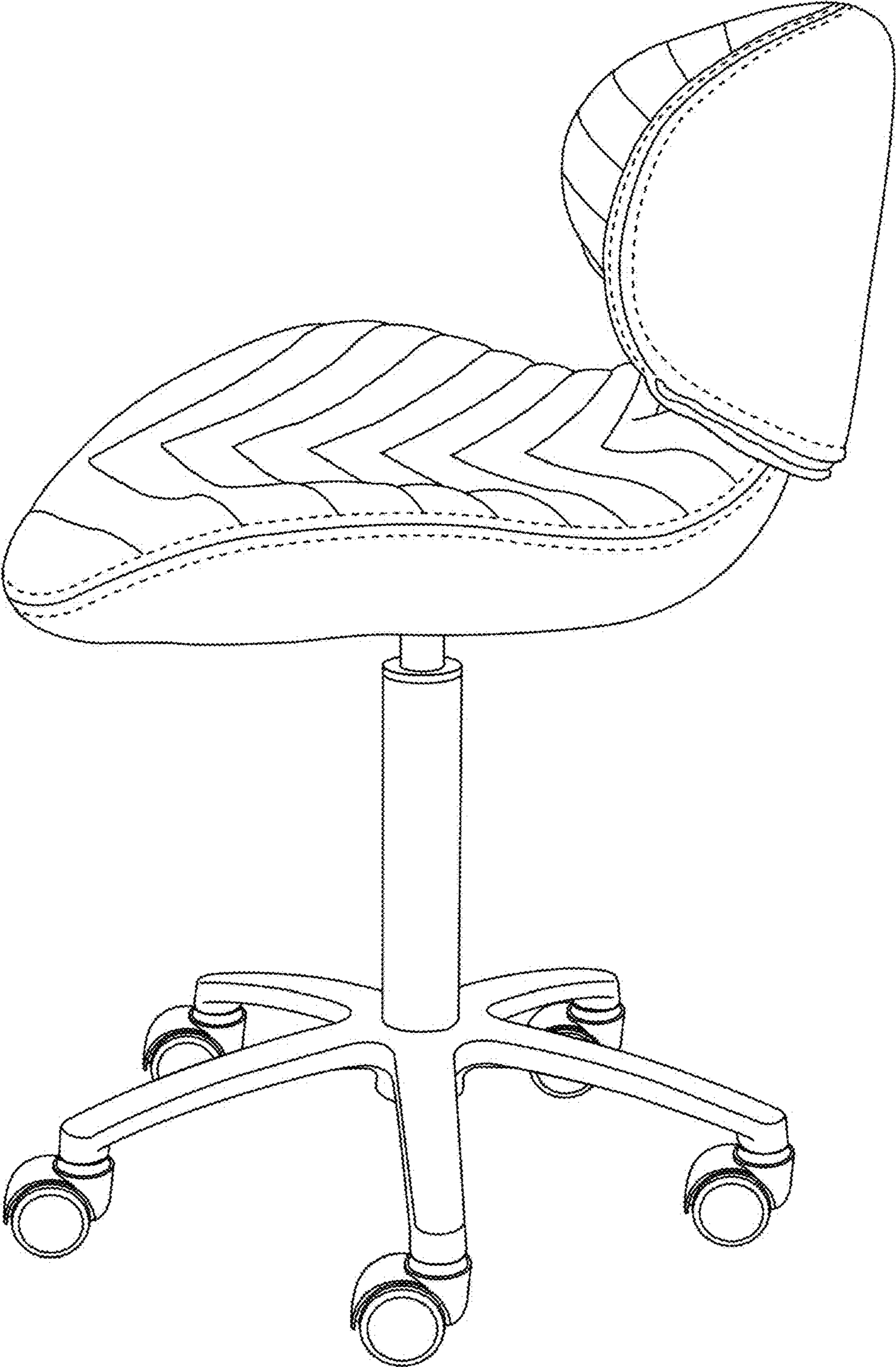


FIG. 3

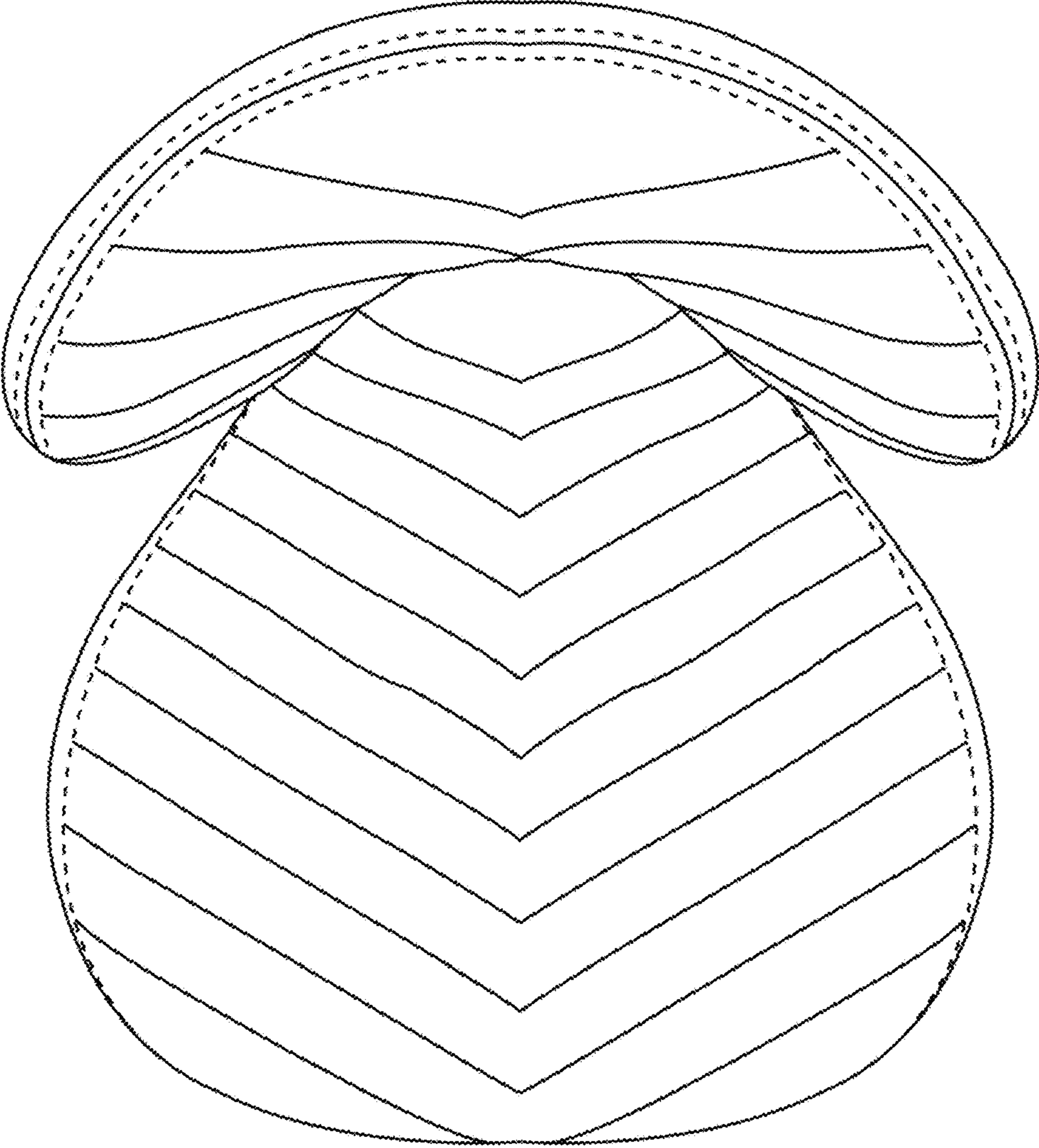


FIG. 4

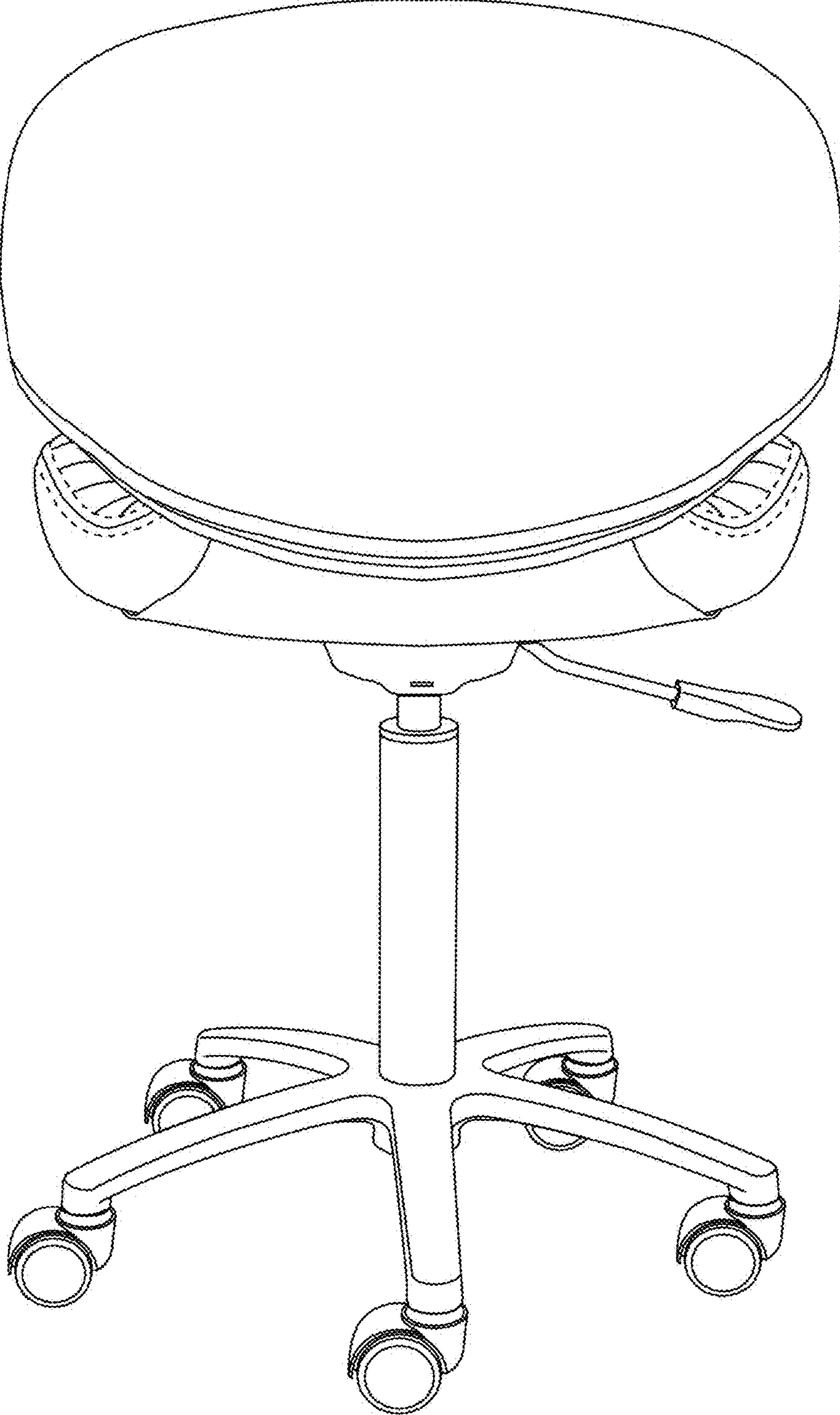


FIG. 5