



US00D838504S

(12) **United States Design Patent**
Nicoll et al.

(10) **Patent No.:** **US D838,504 S**
(45) **Date of Patent:** **** Jan. 22, 2019**

- (54) **MODULAR KITCHEN**
- (71) Applicant: **NewAge Products, Inc.**, Vaughan (CA)
- (72) Inventors: **David Wesley Nicoll**, Mississauga (CA); **Robert Vandenharm**, North York (CA); **Parag Shah**, Toronto (CA); **Frank Spano**, Toronto (CA); **Edward Reyes**, Maple (CA)
- (73) Assignee: **NewAge Products, Inc.**, Vaughan, Ontario (CA)
- (**) Term: **15 Years**
- (21) Appl. No.: **29/605,035**
- (22) Filed: **May 23, 2017**

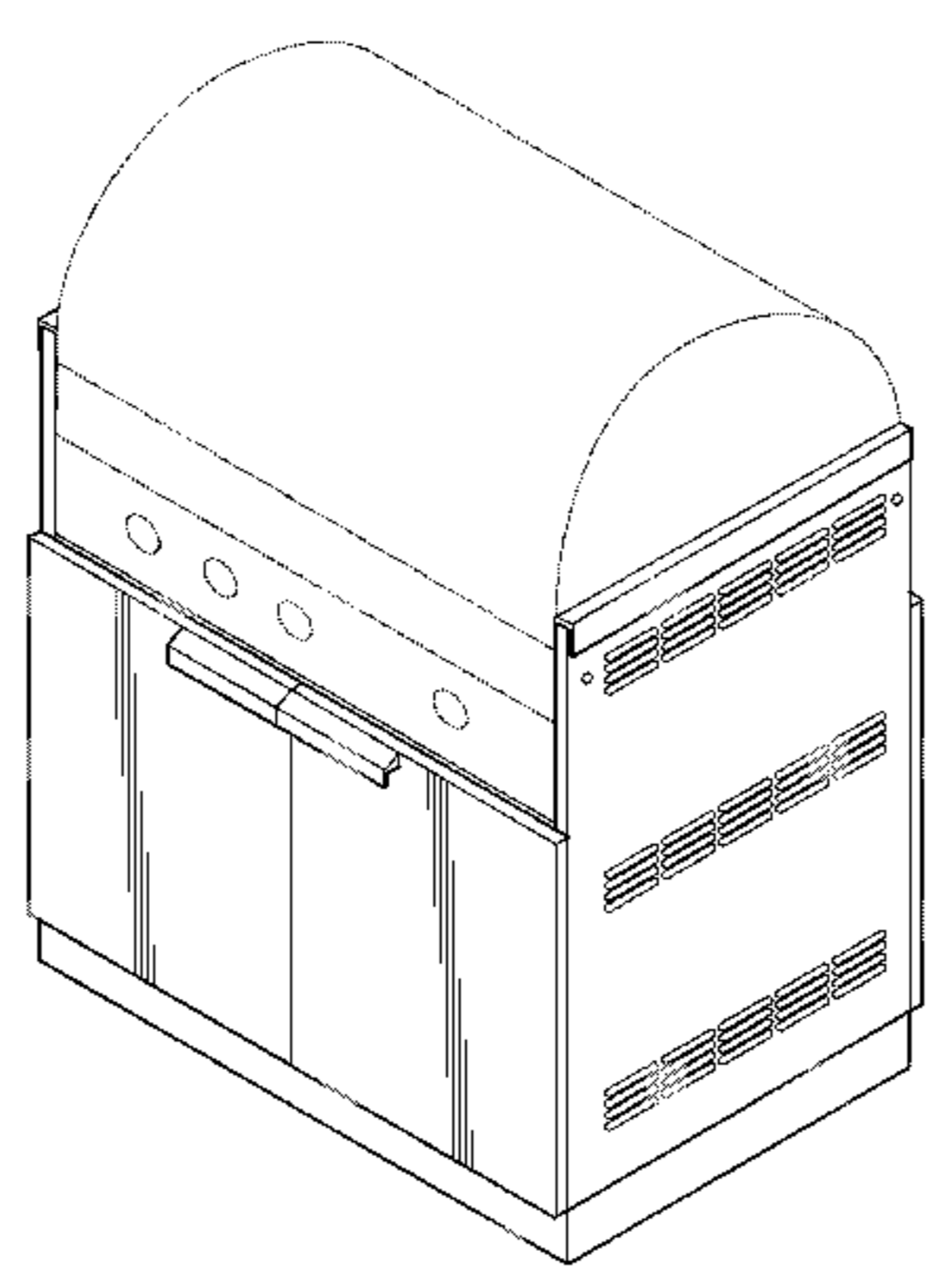
Related U.S. Application Data

- (62) Division of application No. 29/551,930, filed on Jan. 19, 2016.
- (51) **LOC (11) Cl.** **06-01**
- (52) **U.S. Cl.**
USPC **D6/336**
- (58) **Field of Classification Search**
USPC D6/334, 335, 349, 396, 432, 433, 445, D6/446, 447, 448, 470, 510, 559, 663, D6/703, 719; D34/1, 12, 27
CPC . A47B 47/00; H05K 5/00; H05K 7/14; H05K 7/20; F16B 12/00; F25D 11/02; F25D 31/00
See application file for complete search history.

3,993,376 A	11/1976	Meldahl	
D245,619 S	8/1977	Robinson	
4,054,338 A	10/1977	Martin	
D246,496 S	11/1977	Weckwerth	
4,090,755 A	5/1978	Johnson	
4,138,000 A	2/1979	Hartup	
4,589,445 A	5/1986	Sanchez Aguilar et al.	
4,592,603 A	6/1986	Adams et al.	
4,759,193 A	7/1988	Dehring	
D301,526 S	6/1989	Jacobs et al.	
D301,527 S	6/1989	Jacobs et al.	
D322,185 S	12/1991	McInnis	
D331,334 S	12/1992	Hollington	
D378,454 S	3/1997	Miller et al.	
D386,917 S	12/1997	Blevio	
5,871,029 A	2/1999	Peteri et al.	
5,873,643 A	2/1999	Burgess, Jr. et al.	
D408,538 S	4/1999	Simpkins et al.	
5,918,432 A	7/1999	Mahone et al.	
D434,584 S	12/2000	Zaidman	
D439,458 S	3/2001	Melillo	
D439,782 S	4/2001	Melillo	
D440,427 S	4/2001	Melillo	
D440,428 S	4/2001	Melillo	
D446,408 S	8/2001	Mathieu et al.	
6,273,138 B1	8/2001	Yoney	
D461,972 S	8/2002	Everett	
D462,227 S *	9/2002	Alden	D7/334
D492,857 S	7/2004	Harwanko	
D494,004 S *	8/2004	Chapman	D7/334
D496,540 S	9/2004	Moon et al.	
D503,839 S	4/2005	Schmidt et al.	
D507,914 S	8/2005	Schmidt et al.	
7,021,308 B2	4/2006	Caruso	
7,111,852 B2	9/2006	Woods et al.	
D533,009 S *	12/2006	Pai	D7/334
D533,010 S *	12/2006	Pai	D7/334
D535,846 S *	1/2007	Debord	D7/334
D542,056 S	5/2007	Puente et al.	
D549,501 S	8/2007	Gaska et al.	
D558,483 S	1/2008	Bertch et al.	
D560,416 S *	1/2008	Sedberry	D7/334
D562,597 S	2/2008	Weatherly	
D569,168 S *	5/2008	Pai	D7/334
D571,602 S *	6/2008	Chung	D7/334
7,389,796 B2	6/2008	Vilhelmsen	
D581,199 S *	11/2008	Chau	D7/334
D584,562 S *	1/2009	Chau	D7/334
D586,609 S *	2/2009	Chau	D7/334
D602,723 S	10/2009	Daino et al.	
D608,516 S	1/2010	Cantrell et al.	
D618,019 S	6/2010	Gaska et al.	
D635,814 S *	4/2011	Leavens	D7/334

(56) **References Cited**
U.S. PATENT DOCUMENTS

1,527,531 A	2/1925	Topazzi
2,449,433 A	9/1948	Wheelock
2,725,274 A	11/1955	Stivale
D198,887 S	8/1964	Grande
3,158,016 A	11/1964	Fay
3,314,740 A	4/1967	Lappin et al.
3,471,947 A	10/1969	Genser
D223,005 S	2/1972	Genaro et al.



8,070,076	B2	12/2011	Erickson et al.	
D651,829	S	1/2012	Ma	
D658,217	S	4/2012	Wenning	
D660,073	S	5/2012	Chung	
D661,538	S	6/2012	Chung	
D665,201	S	8/2012	Gaska et al.	
D666,034	S	8/2012	Gaska et al.	
D667,652	S	9/2012	Wang	
D672,989	S	12/2012	McManic et al.	
D673,387	S	1/2013	Pazhoor	
D679,937	S	4/2013	Chung	
D684,802	S	6/2013	Johnson et al.	
D687,669	S	8/2013	Chung	
D688,510	S *	8/2013	Stirn	D7/334
D688,512	S *	8/2013	Chung	D7/334
D693,624	S *	11/2013	Chung	D7/334
D694,056	S *	11/2013	Dahle	D7/334
D694,568	S *	12/2013	Alden	D7/334
D697,357	S	1/2014	Goecke et al.	
8,621,681	B2	1/2014	Macan et al.	
D711,673	S	8/2014	Lim	
D712,191	S	9/2014	Chung	
D712,692	S	9/2014	McManic et al.	
D716,086	S	10/2014	Bender et al.	
D717,097	S	11/2014	Lin	
8,931,300	B2	1/2015	Smith et al.	
D722,810	S	2/2015	Chung	
D723,321	S	3/2015	Chung	
D723,322	S *	3/2015	Strauch	D7/334
D723,860	S *	3/2015	Chung	D7/334
D726,491	S	4/2015	Witzel et al.	
D731,843	S	6/2015	Chung	
D732,874	S	6/2015	Chung	
D736,026	S	8/2015	Kam et al.	
D737,092	S	8/2015	Lin	
D744,775	S	12/2015	Yang	
D747,909	S	1/2016	Simms, II	
D747,911	S *	1/2016	Sheppard	D34/14
D748,423	S	2/2016	Chiang	
D753,430	S	4/2016	Wagner	
D769,667	S	10/2016	Ting	
D769,668	S *	10/2016	Lally	D7/334
D773,214	S	12/2016	Ben Avi	
D773,229	S	12/2016	Jaggard et al.	
D775,866	S	1/2017	Ben Avi	
D776,476	S	1/2017	Euwer	
D784,557	S	4/2017	Thuma et al.	
D807,085	S	1/2018	Vandenharm et al.	
D820,010	S	6/2018	Reyes	
9,993,073	B2	6/2018	Wakiya	
2002/0078865	A1	6/2002	Kuvshnikov	
2004/0169155	A1	9/2004	Chen et al.	
2005/0035697	A1	2/2005	Chen	
2005/0241701	A1	11/2005	Bender	
2006/0196563	A1	9/2006	Liles et al.	
2007/0204858	A1 *	9/2007	Abelbeck	F24C 3/12 126/41 R
2007/0251590	A1	11/2007	Weinstein	
2008/0121118	A1	5/2008	Sikes	
2008/0229937	A1 *	9/2008	Stephen	A47J 37/041 99/421 R
2010/0132689	A1	6/2010	Contarino, Jr.	
2010/0297321	A1 *	11/2010	Strauch	A47J 37/041 426/523
2011/0219958	A1 *	9/2011	Noble	A23B 4/044 99/473
2013/0112088	A1 *	5/2013	May	A47J 37/07 99/421 H
2014/0060394	A1	3/2014	Yaman et al.	
2014/0132129	A1	5/2014	Deneweth et al.	
2014/0318524	A1	10/2014	Measom et al.	
2015/0004297	A1 *	1/2015	Pothetes	A47J 37/00 426/523
2015/0218864	A1	8/2015	Simon	
2016/0198895	A1 *	7/2016	Turner	A47J 37/06 99/445
2016/0208837	A1 *	7/2016	Chang	F16B 5/02
2016/0360924	A1 *	12/2016	Bruin-Slot	A47J 37/0694

FOREIGN PATENT DOCUMENTS

CN	203096835	U	7/2013
GB	2 397 519	B	11/2005
WO	WO 87/06861	A1	11/1987

OTHER PUBLICATIONS

English language abstract and computer-generated English language translation for CN 203096835 extracted from espacenet.com database on Jun. 15, 2016, 7 pages.

“Sliding Kitchen Countertop”, downloaded from <http://thedecoratingdiva.com/milan-design-week-10-kitchen-bath-trends/> on Sep. 24, 2014, 1 page.

“Sliding Kitchen Countertop”, downloaded from http://www.contemporist.com/2011/06/07/the-sliding-top-by-minimal/sliding_top_0706_11_02/ on Sep. 25, 2014, 1 page.

“Outdoor Kitchen Cabinet”, downloaded from http://sell_lulusoso.com/upload/20120305/Stainless_steel_outdoor_kitchen_cabinet.jpg on Oct. 17, 2014, 1 page.

“Outdoor Kitchen Cabinet”, downloaded from <http://bestoutdoorcabinets.com/outstanding-viking-stainless-steel-outdoor-cabinets-also-chrome-faucet-with-brushed-nickel-hardware-and-white-plastic-cutting-board-on-small-porcelain-tile-countertops-with-mosaic-tile-edge-trim/> on Oct. 17, 2014, 2 pages.

“Portable Outdoor Kitchen Island”, downloaded from http://www.outdoordesignstudio.com/soldura_outdoor_furniture_and_storage.html#portable_kitchen_islands on Oct. 29, 2014, 1 page.

“Outdoor Kitchen Sink Module”, downloaded from <http://www.rbrooksandson.com/grills/grill-accessories> on Oct. 29, 2014, 1 page.

“Outdoor Kitchen Island”, downloaded from <http://cacakitchen.blogspot.com/2013/08/grillsislandskitchenstraight-outdoor.html> on Oct. 29, 2014, 1 page.

“Fuego Modular Series FM20MOD”, downloaded from www.ajmadison.com/cgi-bin/ajmadison/FM20MOD.html on Oct. 29, 2014, 1 page.

“Geneva Cabinet”, downloaded from <http://www.genevacabinet.com> on Oct. 29, 2014, 1 page.

“Ozark River Portable Sinks 26"×18" Nature Premier Single Bowl Outdoor Portable Sink with Storage Cabinet-Finish: Power Coated Stainless Steel”, downloaded from <http://www.sears.com/ozark-river-portable-sinks-26inch-x-18inch-nature/p-SPM10940678315?prdNo+11&blockNo+11&blockType+G11> on Oct. 29, 2014, 1 page.

“Outdoor Patio Storage Cabinet”, downloaded from <http://bestoutdoorcabinets.com/sensational-outdoor-patio-storage-cabinet-from-cedar-wood-planks-with-galvanized-steel-countertop-and-rubber-locking-casters/> on Oct. 29, 2014, 1 page.

“Outdoor Wicker Storage Cabinet”, downloaded from <http://goldeneagleoutdoor.en.made-in-china.com/productimage/nSjEavLCJfkr-2f1j00mZftQbJahhgV/China-New-Outdoor-Wicker-Storage-Cabinet-B0014-html> on Oct. 29, 2014, 1 page.

“30 Inch Storage Cabinet-2 Doors”, downloaded from <http://kalamazoooutdoor.com/products/30-storage-cabinet-2-doors> on Oct. 29, 2014, 1 page.

“Horizontal Outdoor Storage Shed”, downloaded from <http://cabinets.apluswhs.com/outdoor-storage-cabinets/horizontal-outdoor-storage-shed/> on Oct. 29, 2014, 1 page.

“Purchasing Outdoor Kitchen Cabinets”, downloaded from <http://dhcabinetry.com/purchasing-outdoor-kitchen-cabinets/> on Oct. 17, 2014, 3 pages.

“Kalamazoo Outdoor Gourmet Products”, downloaded from <http://www.archiexpo.com/prod/kalamazoo-outdoor-gourmet/garden-stainless-steel-sink-cabinets-57824-899620.html> on Oct. 17, 2014, 1 page.

“Outdoor Storage Cabinet Entrancing Plastic Outdoor Cabinet Storage”, downloaded from <http://www.homedecor.pics/outdoor-kitchen-cabinets-plastic/26/outdoor-storage-cabinet-entrancing-plastic-outdoor-cabinet-storage/> on Oct. 17, 2014, 1 page.

“Challenger Outdoor Kitchen”, downloaded from <http://www.firesideoutdoorkitchens.com/wp-content/uploads/2013/07/challenger-outdoor-kitchen-featured.jpg> on Oct. 17, 2014, 1 page.

“Stainless Steel Classic 5-Piece 160×36×24” in. Outdoor Kitchen Cabinet Set with Covers”, The Home Depot; downloaded from <http://www.homedepot.com/p/NewAge-Products-Stainless-Steel-Classic-5-Piece-160x36x24-in-Outdoor-Kitchen-Cabinet-Set-with-Covers-65972/207163552> on Jun. 1, 2017, 8 pages.

* cited by examiner

Primary Examiner — Susan Bennett Hattan

Assistant Examiner — Suzanne E Tisdell

(74) *Attorney, Agent, or Firm* — Howard & Howard Attorneys PLLC

(57) **CLAIM**

An ornamental design for a modular kitchen, as shown and described.

DESCRIPTION

FIG. 1 is a perspective view of an embodiment of a modular kitchen;

FIG. 2 is a perspective view of a barbecue cabinet of the modular kitchen of FIG. 1;

FIG. 3 is a front elevational view of the barbecue cabinet of FIG. 2;

FIG. 4 is a rear elevational view of the barbecue cabinet of FIG. 2;

FIG. 5 is a left side elevational view of the barbecue cabinet of FIG. 2;

FIG. 6 is a right side elevational view of the barbecue cabinet of FIG. 2;

FIG. 7 is a top plan view of the barbecue cabinet of FIG. 2;

FIG. 8 is a bottom plan view of the barbecue cabinet of FIG. 2;

FIG. 9 is a perspective view of another embodiment of a modular kitchen;

FIG. 10 is a perspective view of a barbecue cabinet of the modular kitchen of FIG. 9;

FIG. 11 is a front elevational view of the barbecue cabinet of FIG. 10;

FIG. 12 is a rear elevational view of the barbecue cabinet of FIG. 10;

FIG. 13 is a left side elevational view of the barbecue cabinet of FIG. 10;

FIG. 14 is a right side elevational view of the barbecue cabinet of FIG. 10;

FIG. 15 is a top plan view of the barbecue cabinet of FIG. 10; and,

FIG. 16 is a bottom plan view of the barbecue cabinet of FIG. 10.

The broken lines, depicted as dot-dot-dot lines, set forth in the drawings depict features of the modular kitchen that form no part of the claimed design.

1 Claim, 10 Drawing Sheets

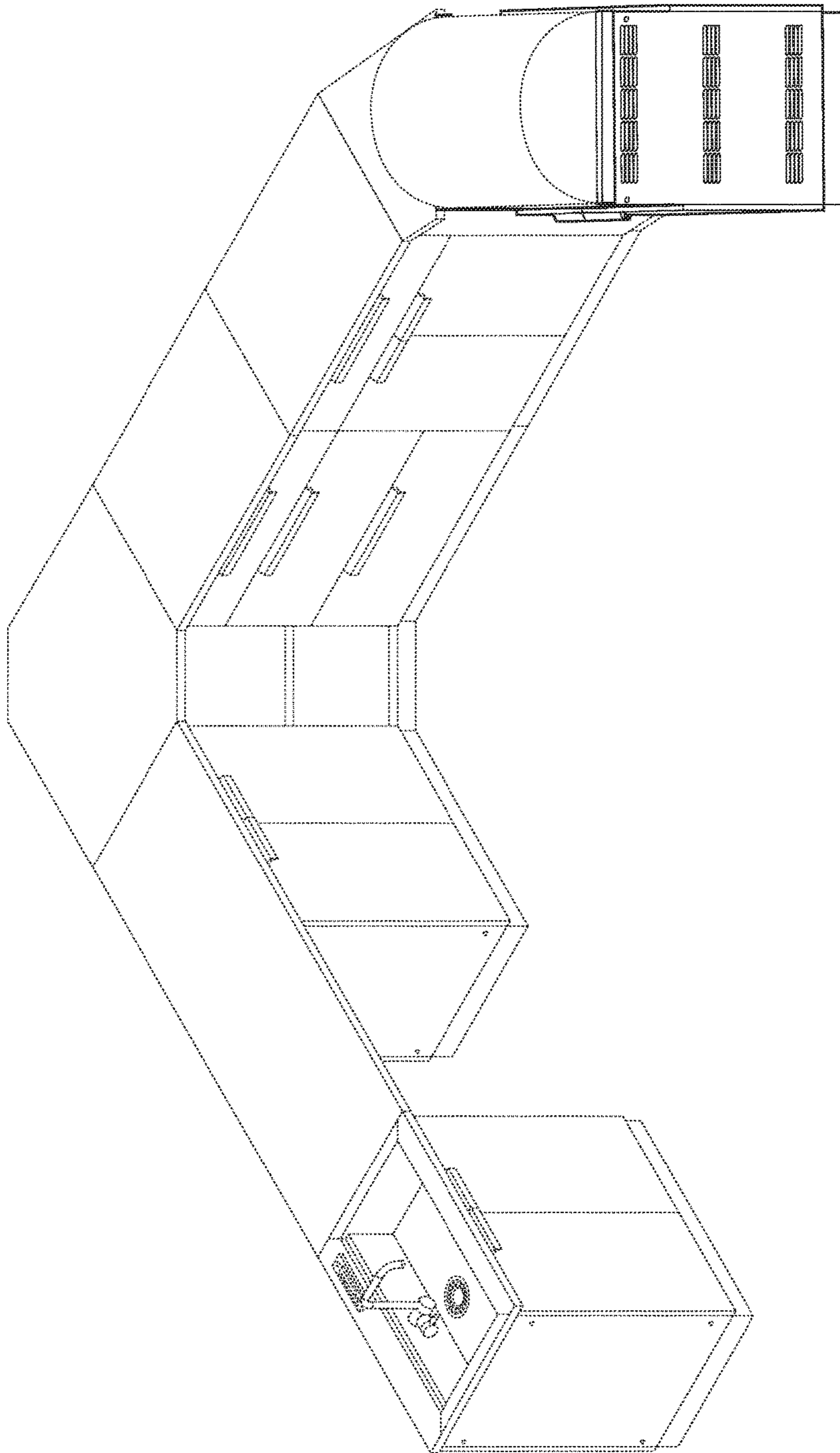


FIG. 1

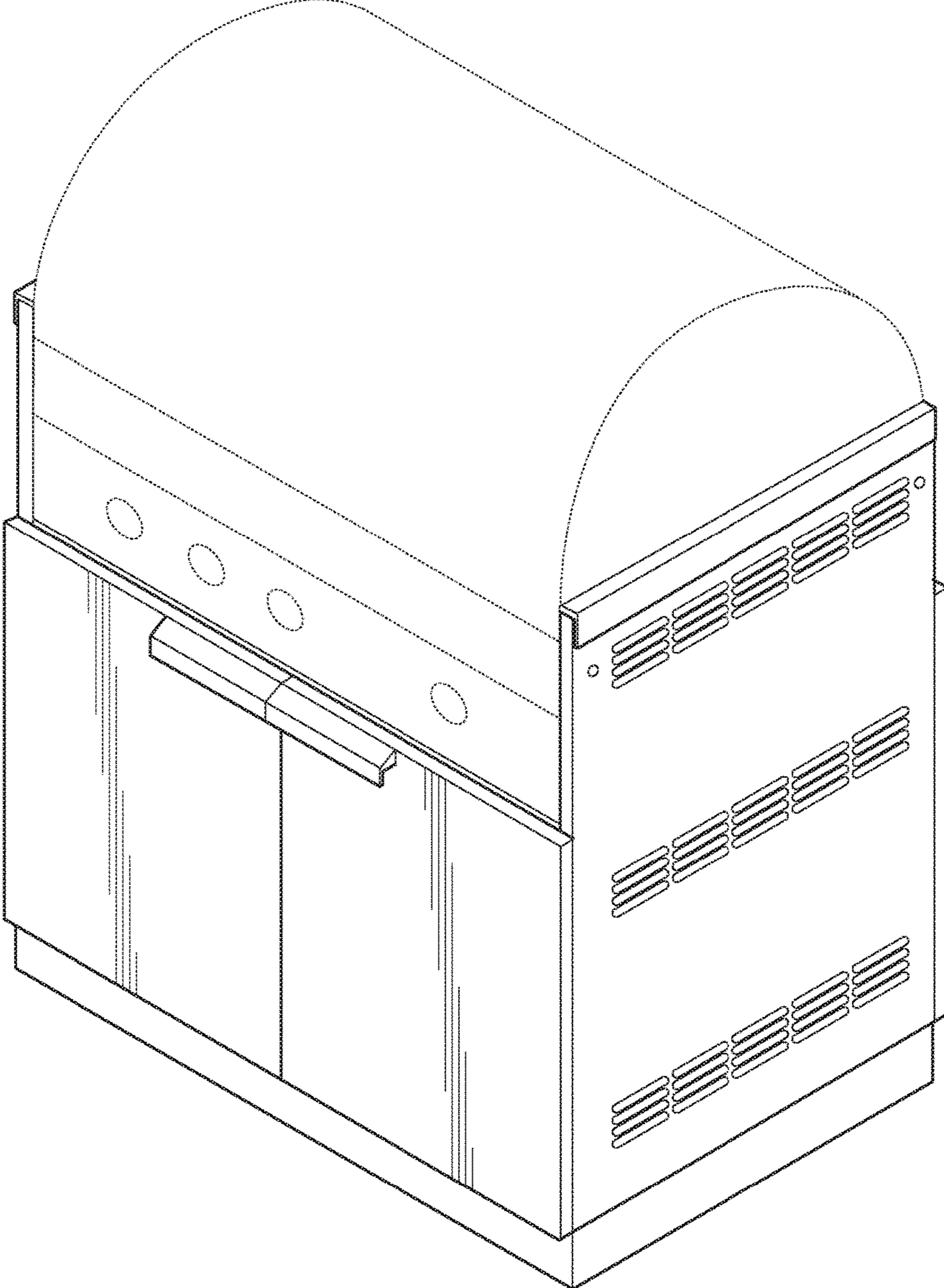


FIG. 2

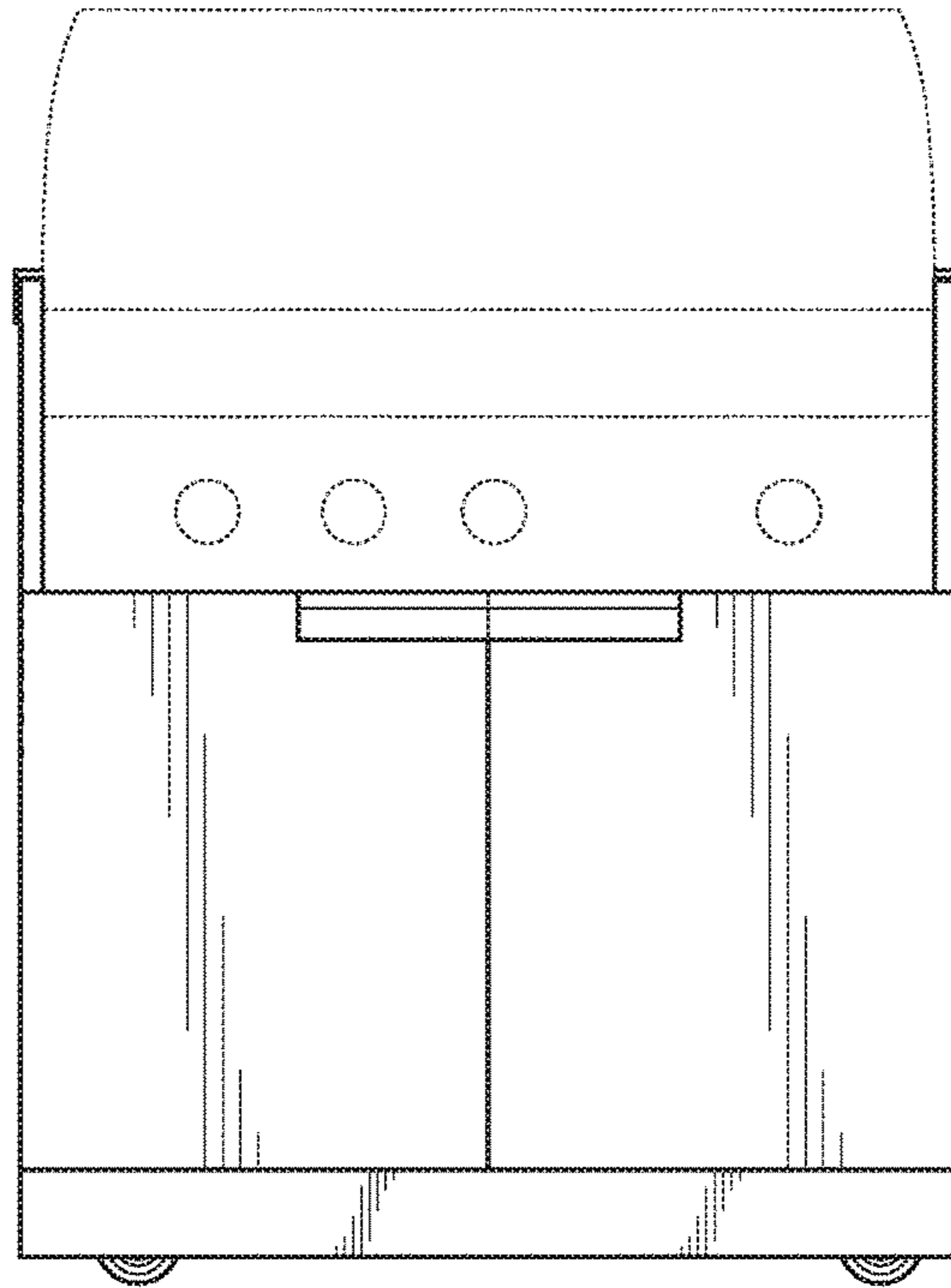


FIG. 3

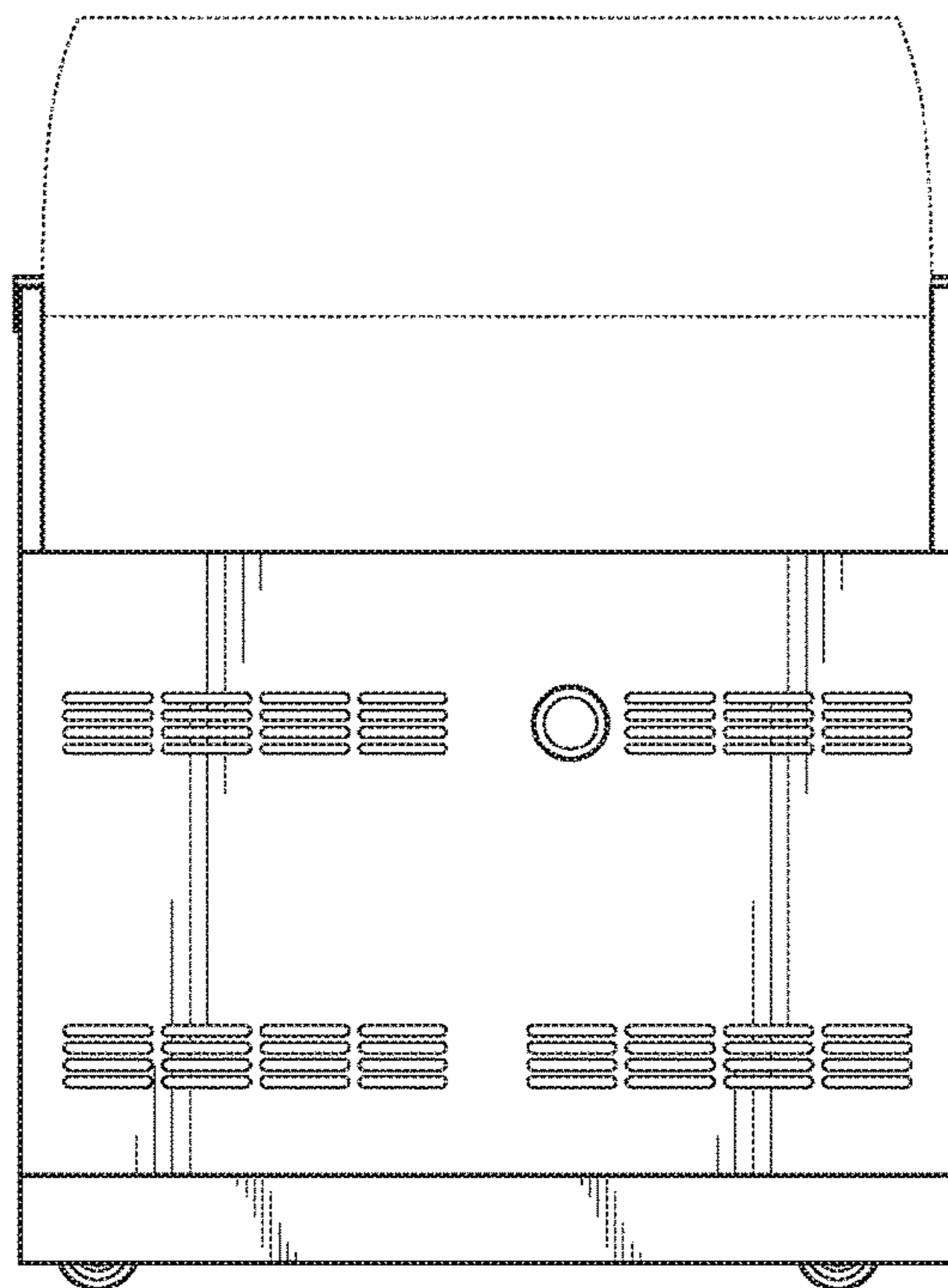


FIG. 4

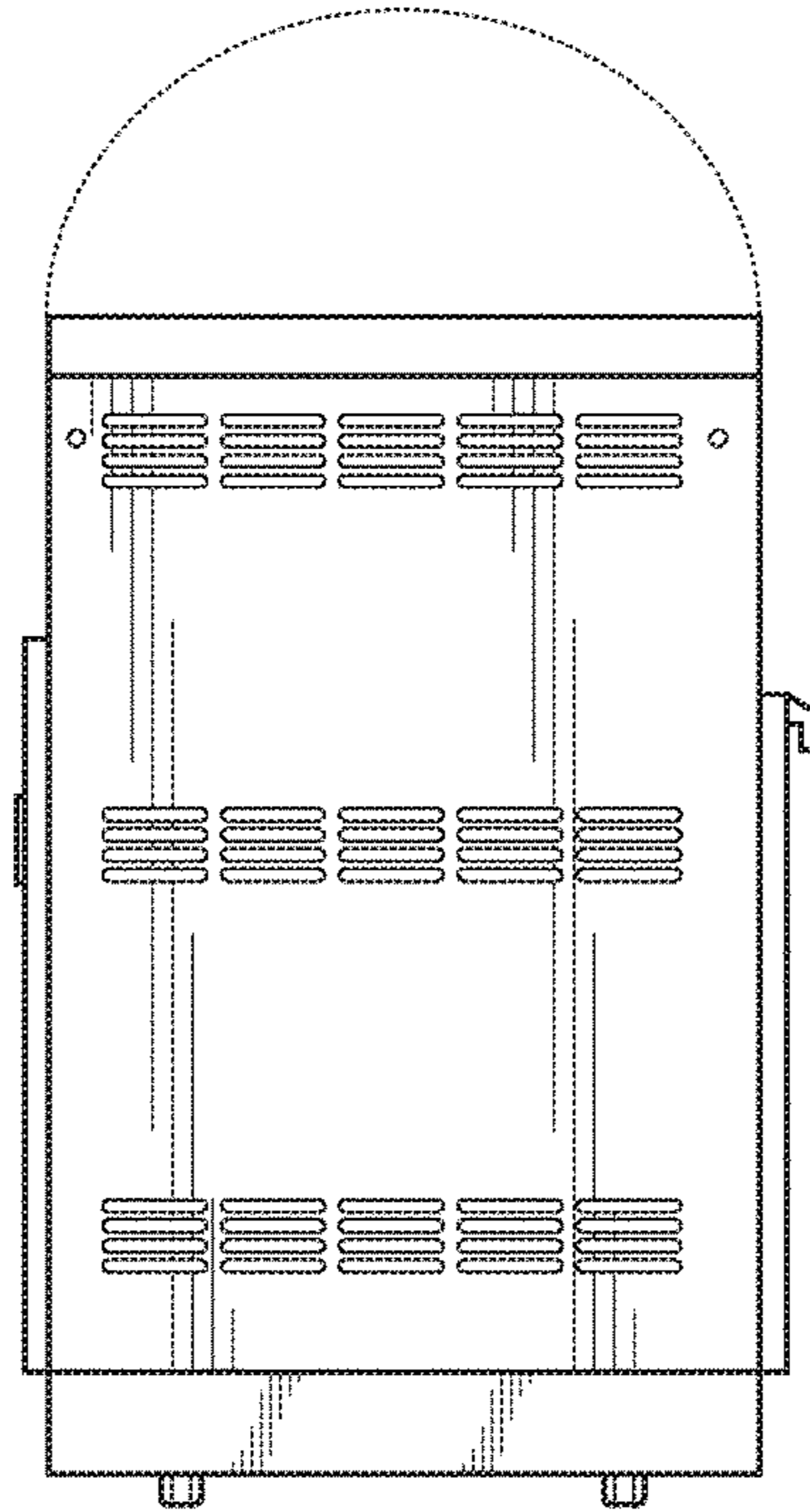


FIG. 5

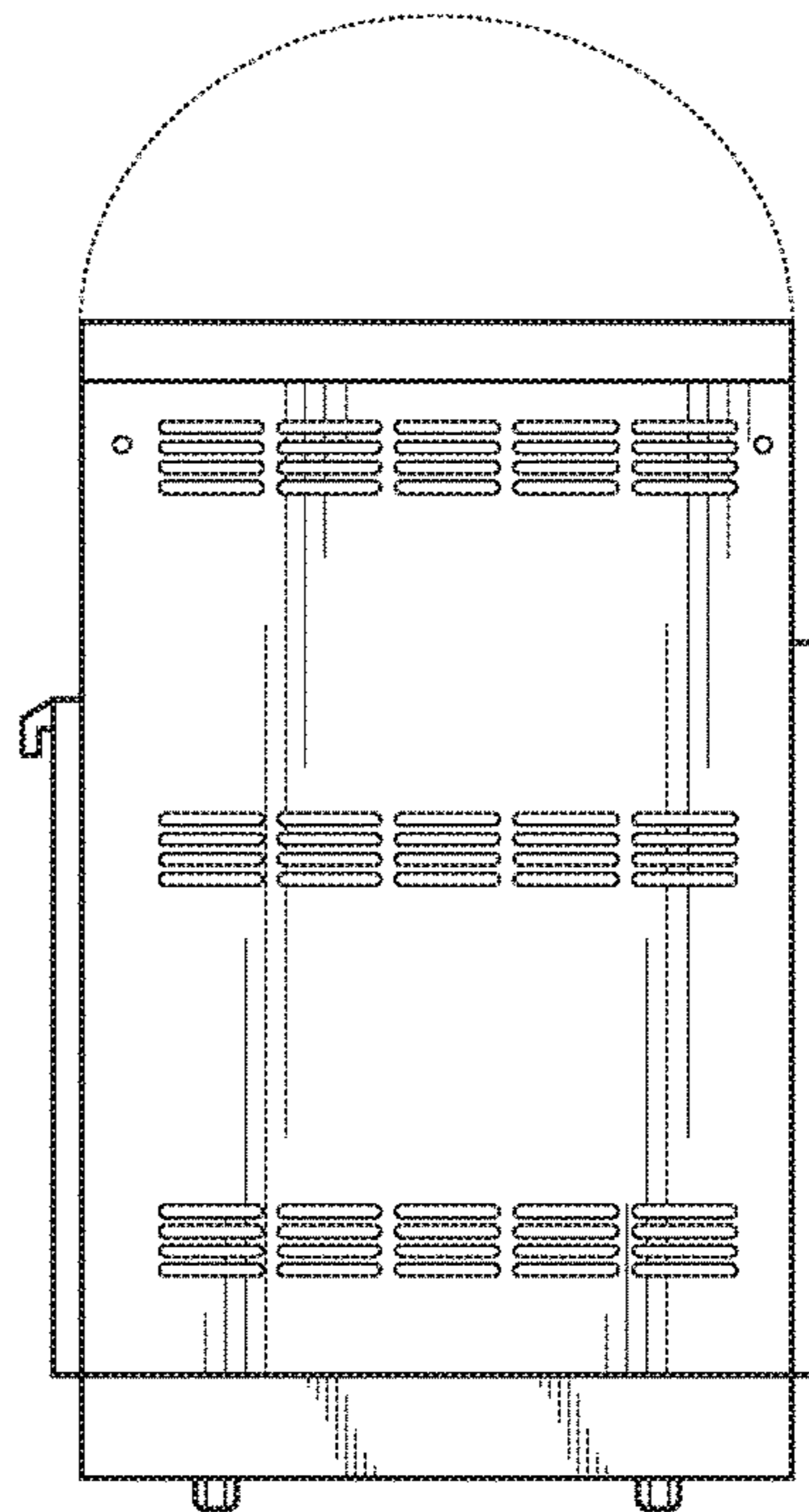


FIG. 6

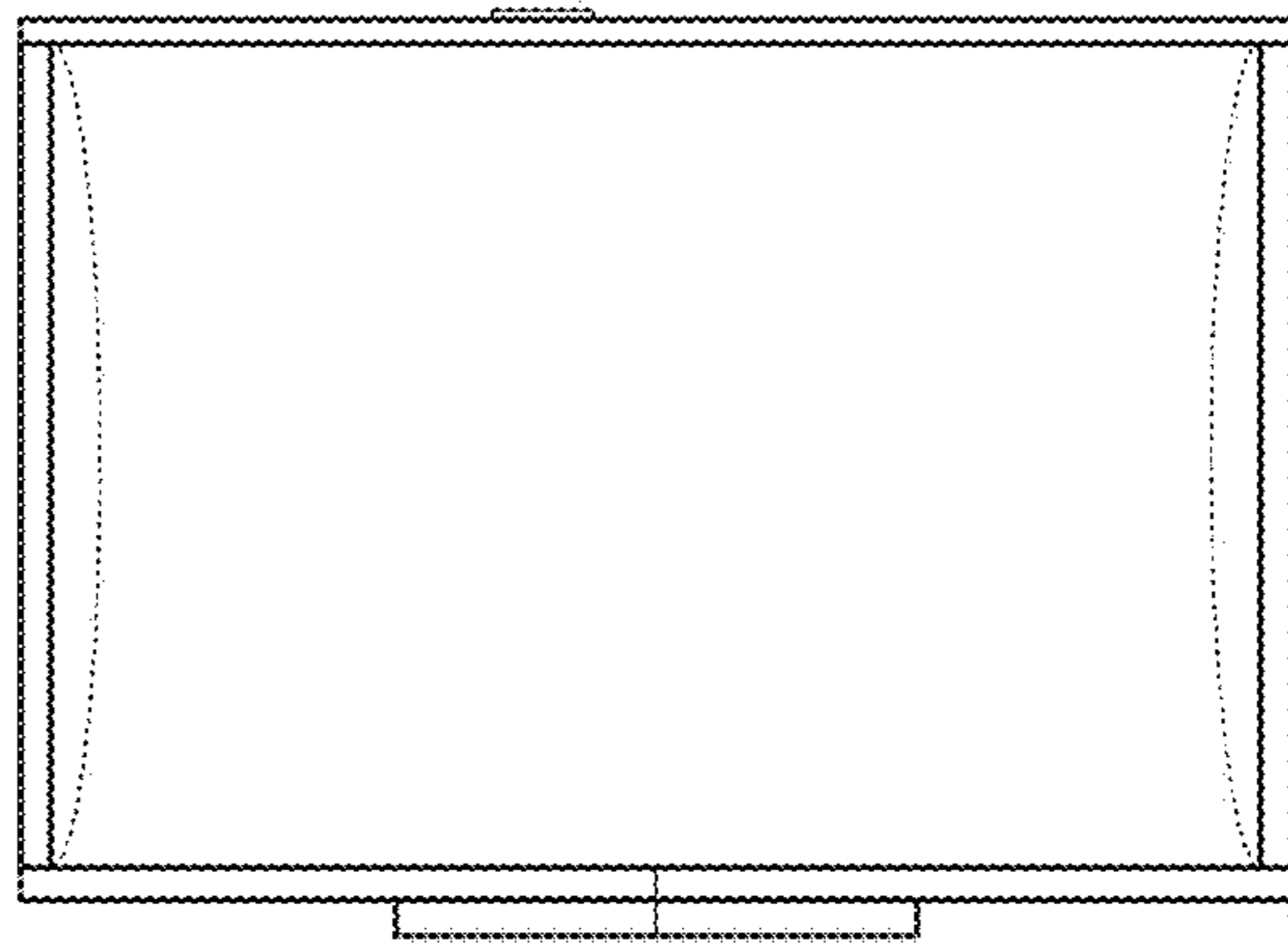


FIG. 7

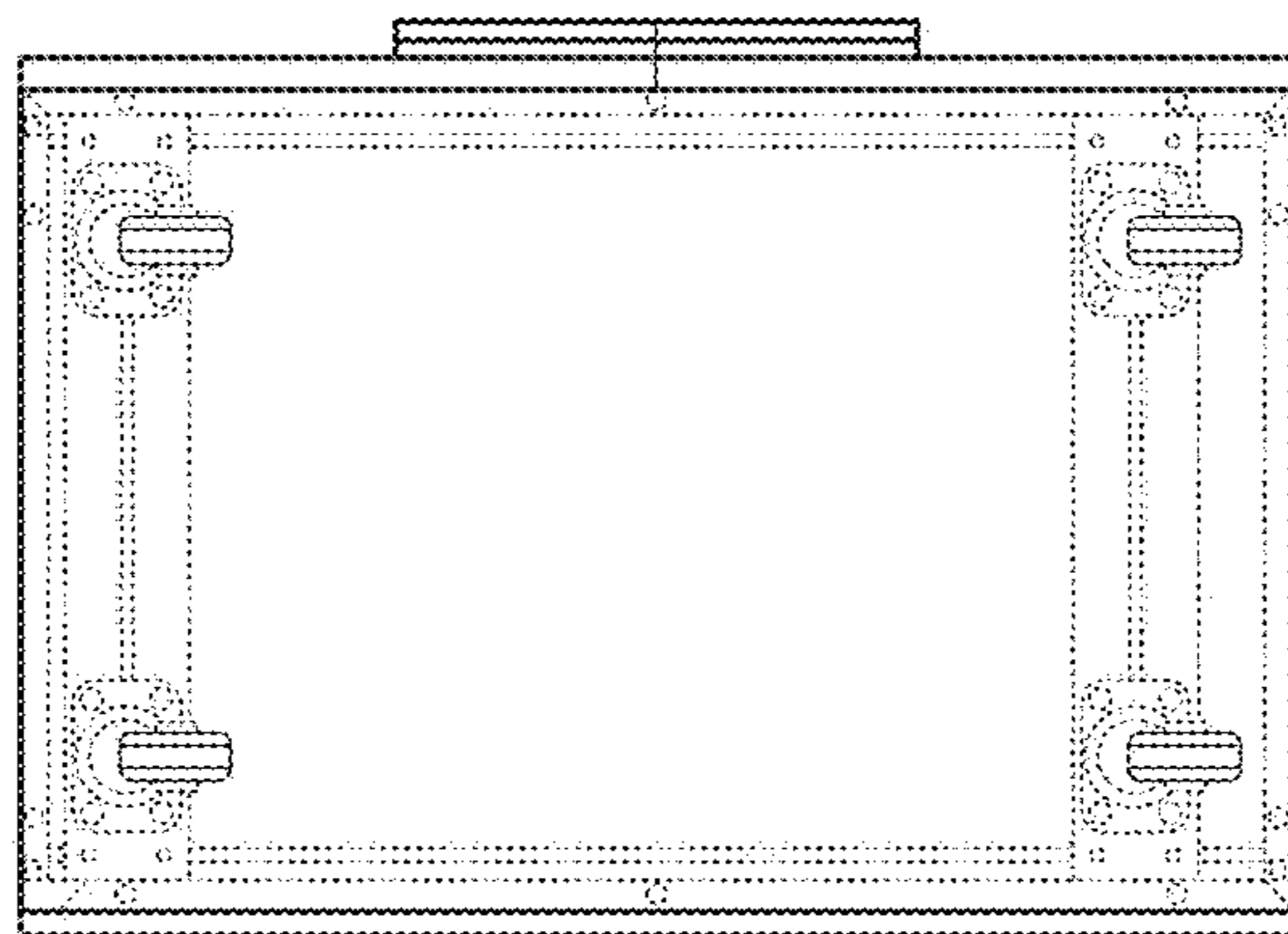


FIG. 8

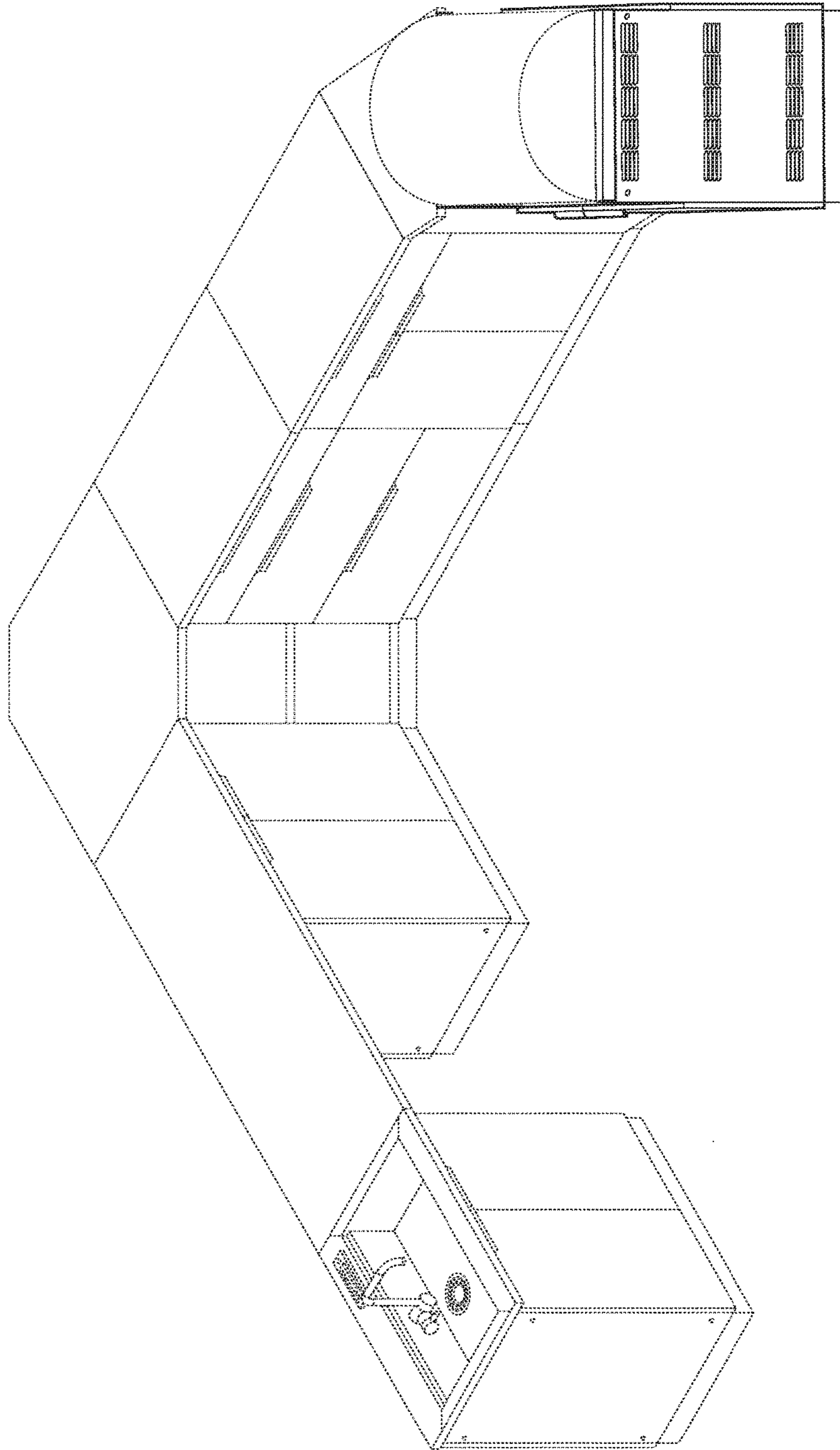


FIG. 9

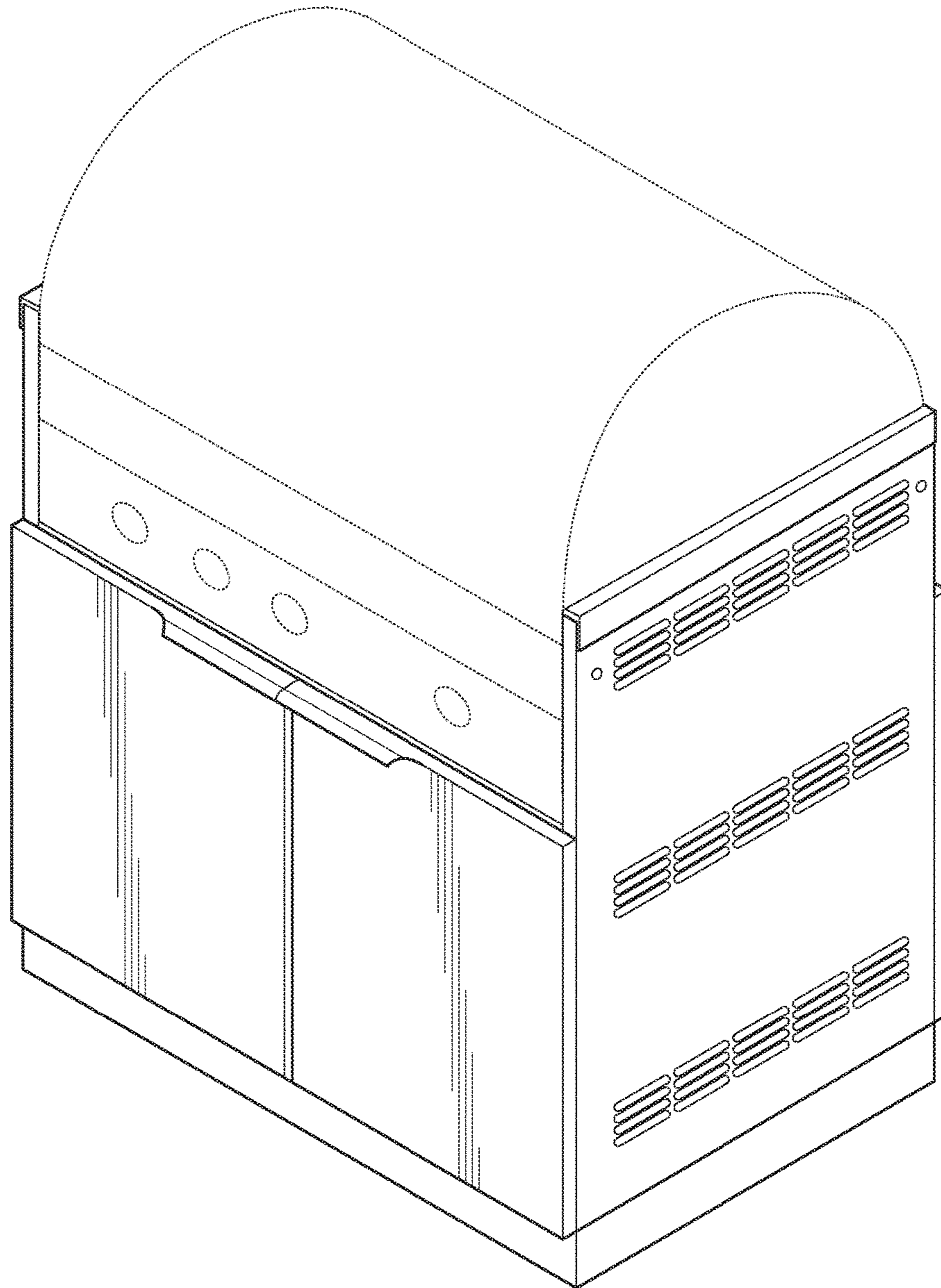


FIG. 10

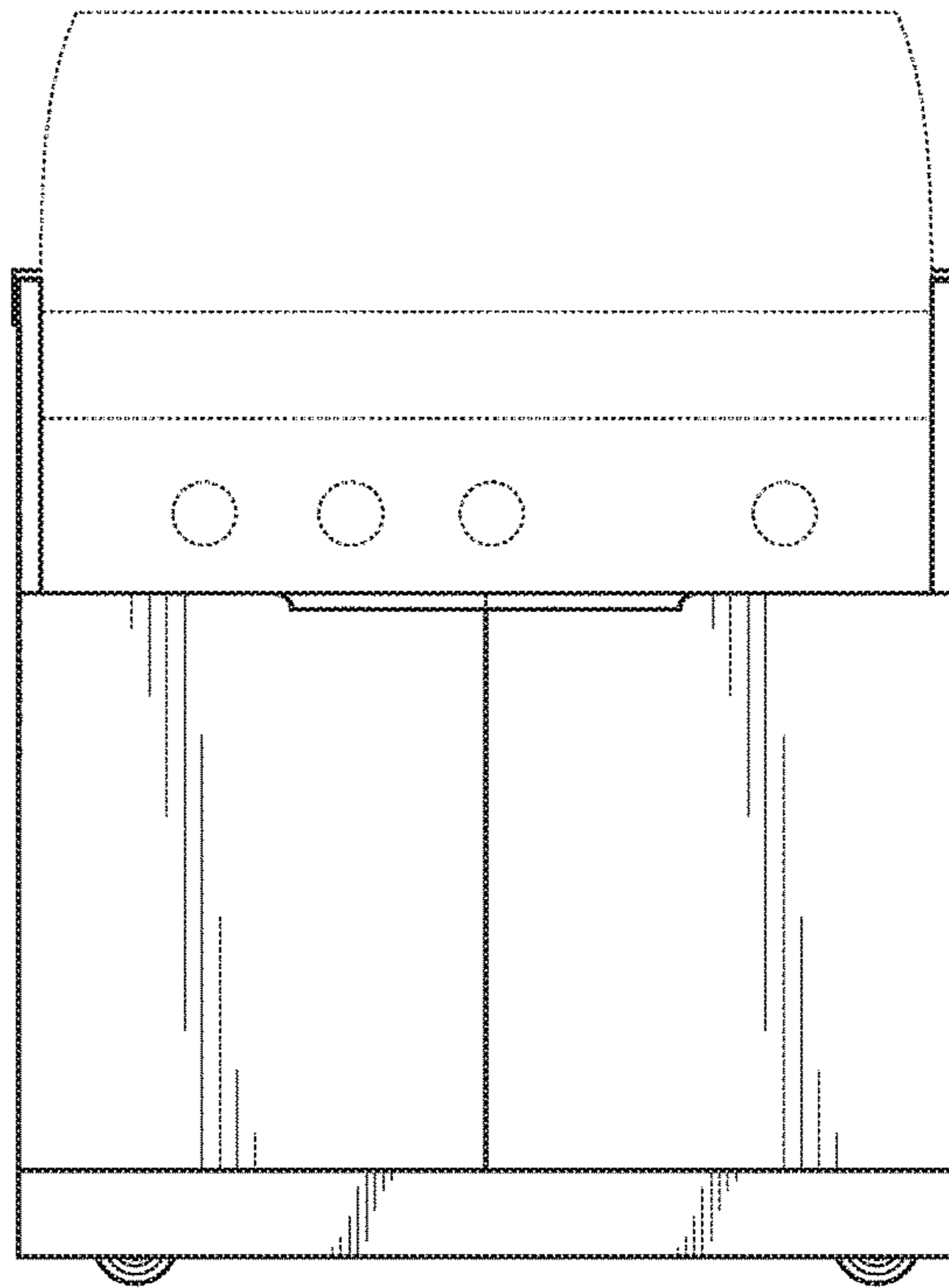


FIG. 11

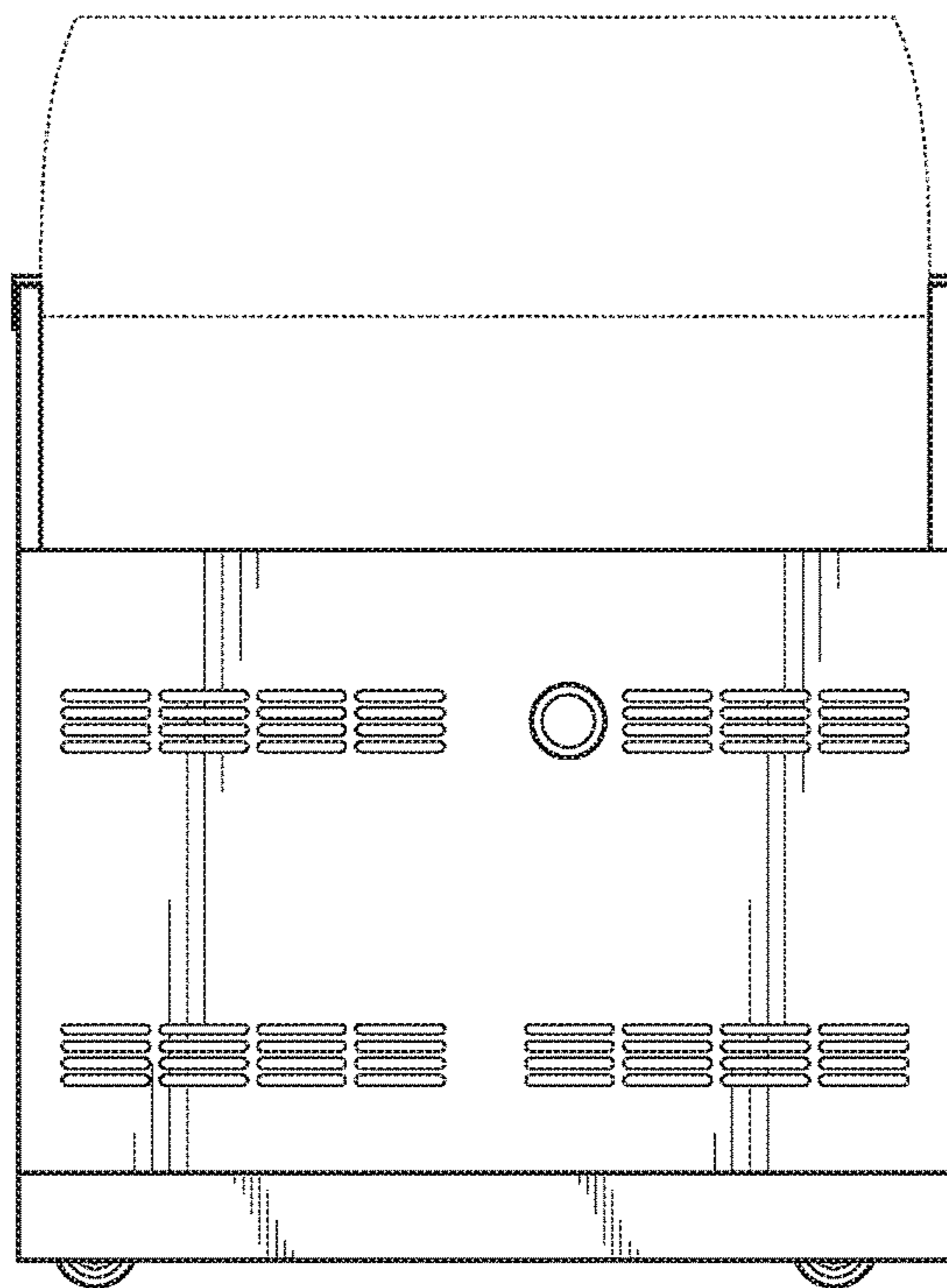


FIG. 12

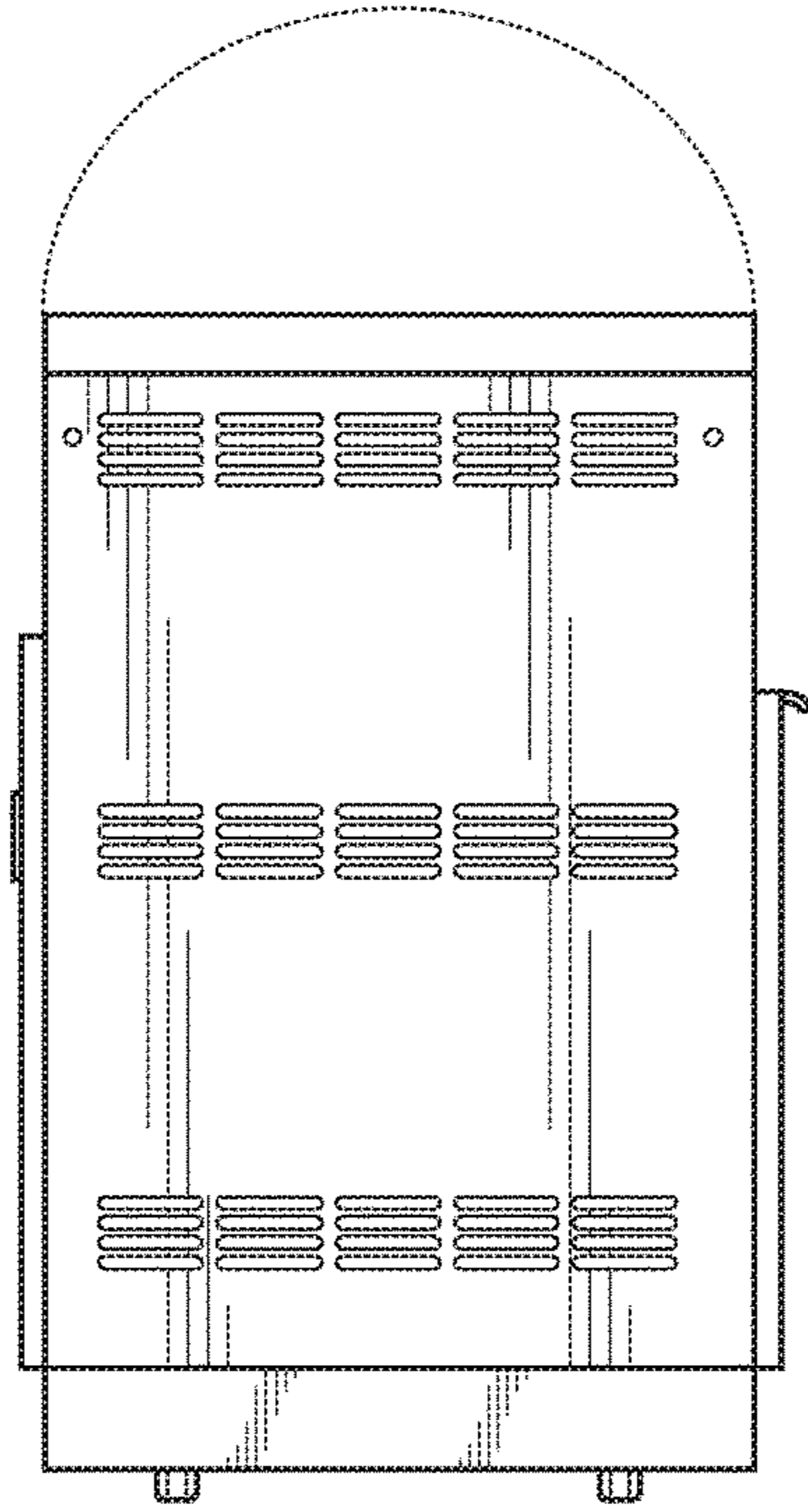


FIG. 13

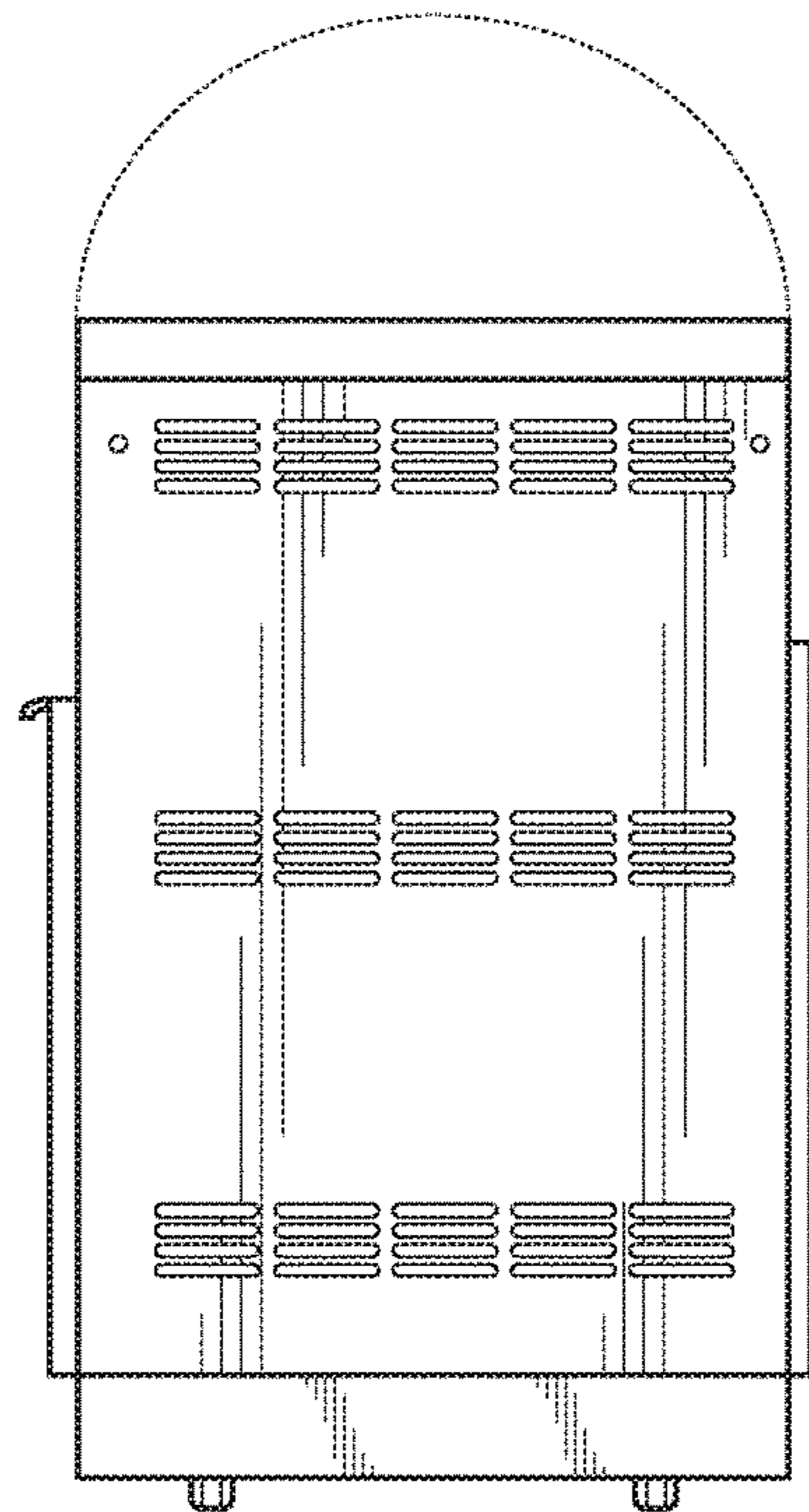


FIG. 14

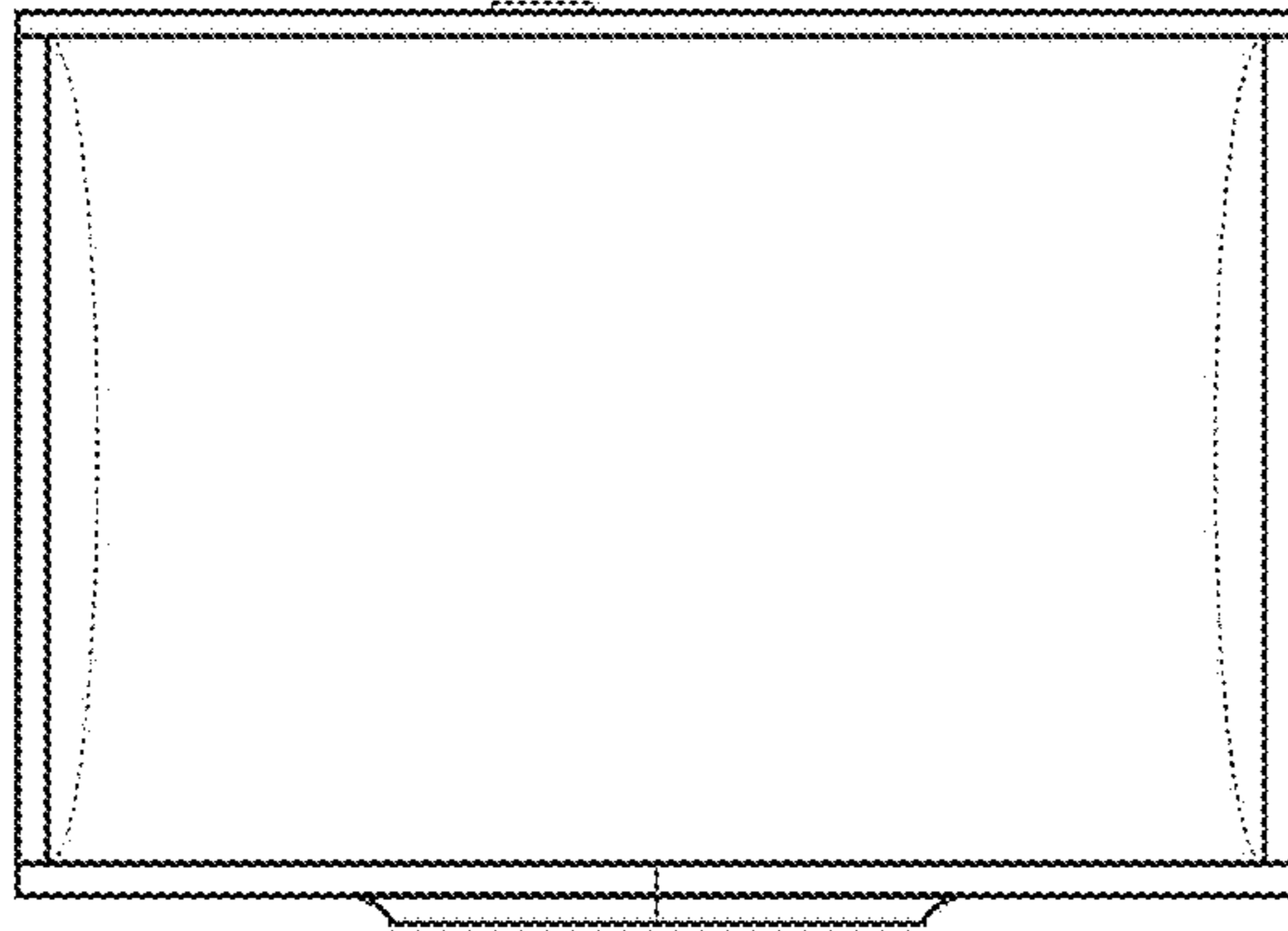


FIG. 15

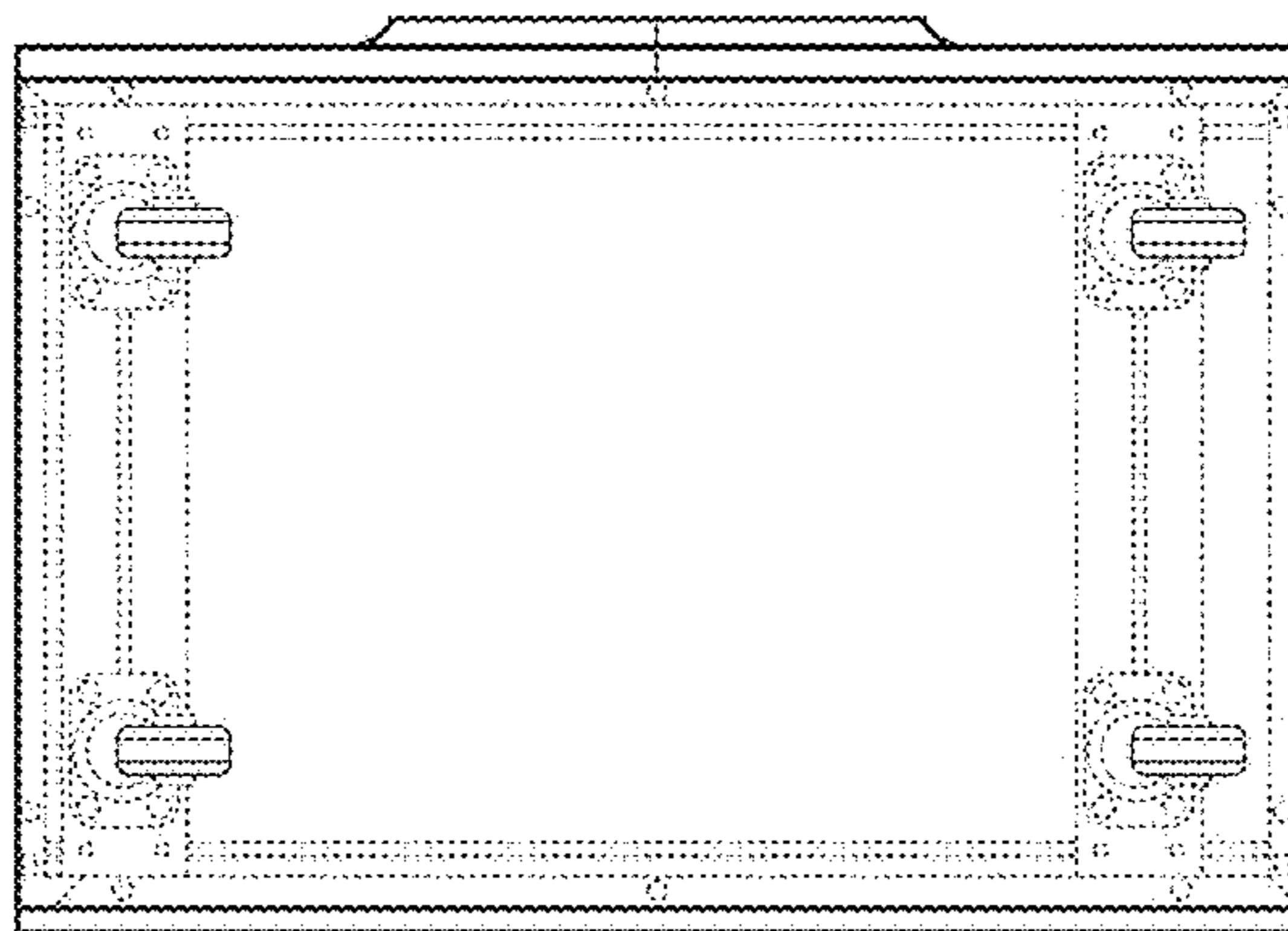


FIG. 16