



US00D838493S

(12) **United States Design Patent**
Thuma et al.

(10) **Patent No.:** **US D838,493 S**
(45) **Date of Patent:** **** Jan. 22, 2019**

(54) **SNOW BRUSH**

(71) Applicant: **Suncast Technologies, LLC**, Palm Beach Gardens, FL (US)

(72) Inventors: **Michael Thuma**, La Grange, IL (US); **Torrence Anderson**, Overland Park, KS (US); **Michael R. Vogler**, Oswego, IL (US)

(73) Assignee: **Suncast Technologies, LLC**, Palm Beach Gardens, FL (US)

(**) Term: **15 Years**

(21) Appl. No.: **29/599,670**

(22) Filed: **Apr. 5, 2017**

(51) **LOC (11) Cl.** **04-99**

(52) **U.S. Cl.**
USPC **D4/118**; D4/116; D32/46; D32/49

(58) **Field of Classification Search**
USPC D4/116, 118, 119, 132, 134; D32/40, 42, D32/46, 49
CPC A45D 24/14; A45D 24/16; A46B 3/005; A46B 5/00; A46B 5/02; A46B 5/021; A46B 9/02; A46B 9/021; A46B 9/023; A46B 13/001; A46B 13/008; A46B 15/0055; A46B 15/0081; A46B 15/0087; A46B 17/02; A46B 2200/30; A46B 2200/104; A46B 2200/106; A46B 2200/202; A46B 2200/205; A46B 2200/207; A46B 2200/304; A46B 2200/1006; A46B 2200/1046; A46B 2200/1053; A46B 2200/3006; A46B 2200/3033; A46B 2200/3093; E01H 1/12; E01H 1/105

See application file for complete search history.

(56) **References Cited**

U.S. PATENT DOCUMENTS

D182,070 S * 2/1958 Hauser 15/143.1
D193,887 S * 10/1962 Hauser D4/118

D221,609 S * 8/1971 Kieves 15/210.1
D260,959 S * 9/1981 Schnarr D32/49
D265,601 S * 7/1982 Olsson D32/49
4,748,711 A * 6/1988 Markus B60S 3/045
15/227
D335,771 S * 5/1993 Mallory D32/42
D337,436 S * 7/1993 Hopkins D32/42
D346,903 S * 5/1994 Hillmer D32/42
5,333,342 A * 8/1994 Huang A47L 13/02
15/105
5,572,820 A * 11/1996 Mallory A47L 1/16
206/573
D410,122 S * 5/1999 Hellinger D32/46
D453,075 S * 1/2002 Liu D32/42
(Continued)

Primary Examiner — Ian Simmons
Assistant Examiner — Karra S Johnson
(74) *Attorney, Agent, or Firm* — McHale & Slavin, P.A.

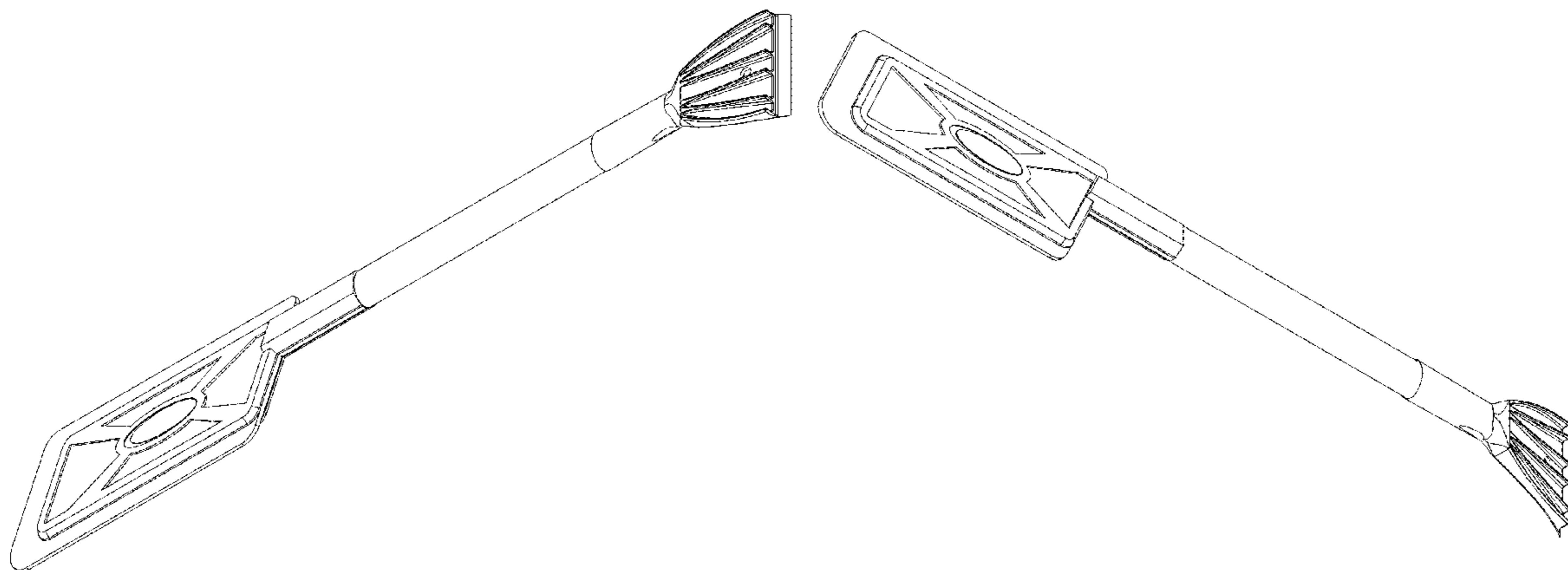
(57) **CLAIM**

The ornamental design for a snow brush, as shown and described.

DESCRIPTION

FIG. 1 is a top front perspective view of the snow brush of the present invention;
FIG. 2 is a top view thereof;
FIG. 3 is a bottom view thereof;
FIG. 4 is a back view thereof;
FIG. 5 is a front view thereof;
FIG. 6 is a left end view thereof;
FIG. 7 is a right end view thereof;
FIG. 8 is a bottom front perspective view thereof;
FIG. 9 is a also a bottom front perspective view thereof; and,
FIG. 10 is top front perspective view thereof.
The broken lines shown are included for the purpose of illustrating portions of the snow brush that form no part of the claim.

1 Claim, 9 Drawing Sheets



(56)

References Cited

U.S. PATENT DOCUMENTS

D501,726 S * 2/2005 Liu D4/118
D542,490 S * 5/2007 Barnes, Jr. D32/49
D542,491 S * 5/2007 Barnes, Jr. D32/49
D561,998 S * 2/2008 Liu D4/118
D561,999 S * 2/2008 Liu D4/118
D564,230 S * 3/2008 Schouten D32/49
7,832,955 B1 * 11/2010 Leffew A46B 11/0055
401/188 R
D638,596 S * 5/2011 Vasilakes D32/50
D652,218 S * 1/2012 Hoffelner D4/118
9,145,112 B1 * 9/2015 Ihde B60S 3/045
D750,380 S * 3/2016 Blouin D4/118
D771,891 S * 11/2016 Bennett D32/46
D825,127 S * 8/2018 Haarbarger D32/46
2011/0188923 A1 * 8/2011 Lafleur A46B 5/0075
403/53
2018/0021935 A1 * 1/2018 Blouin B25G 1/00

* cited by examiner

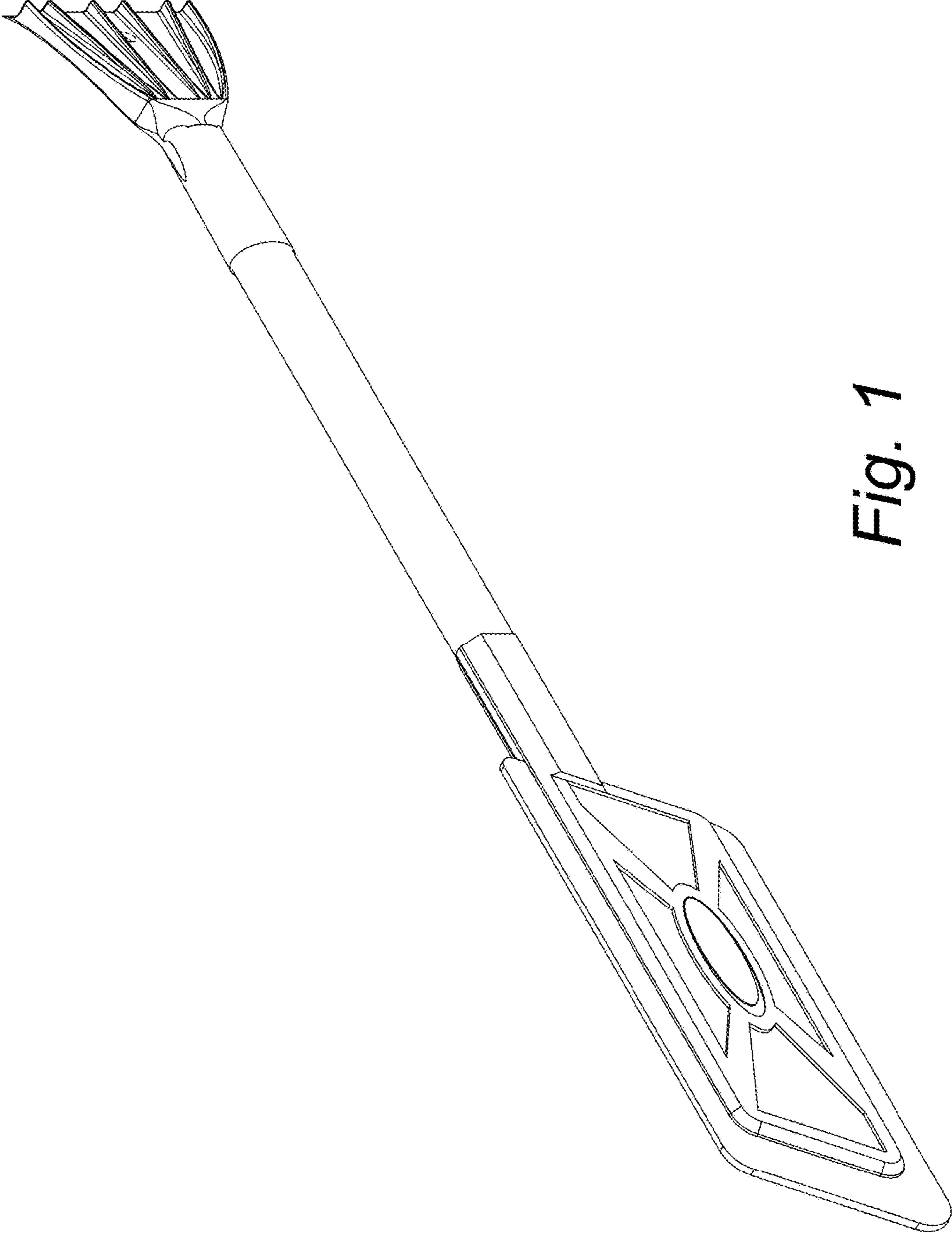


Fig. 1

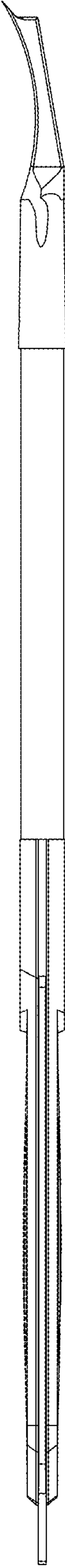


Fig. 2

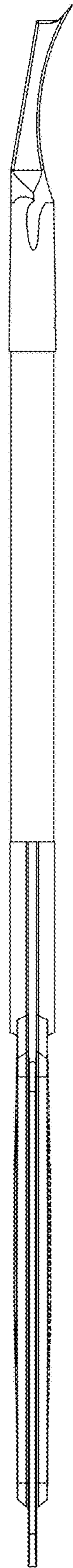


Fig. 3

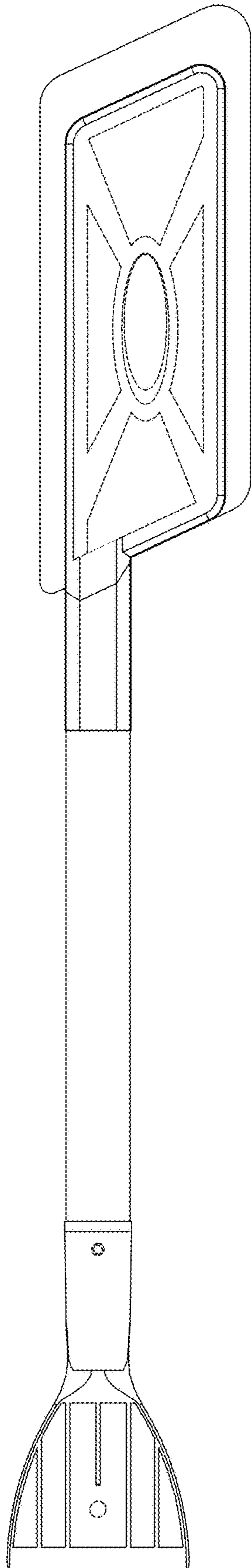


Fig. 4

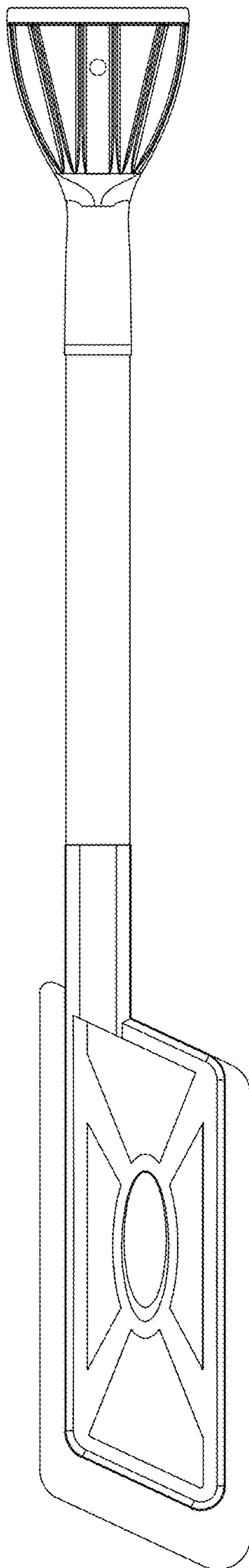


Fig. 5

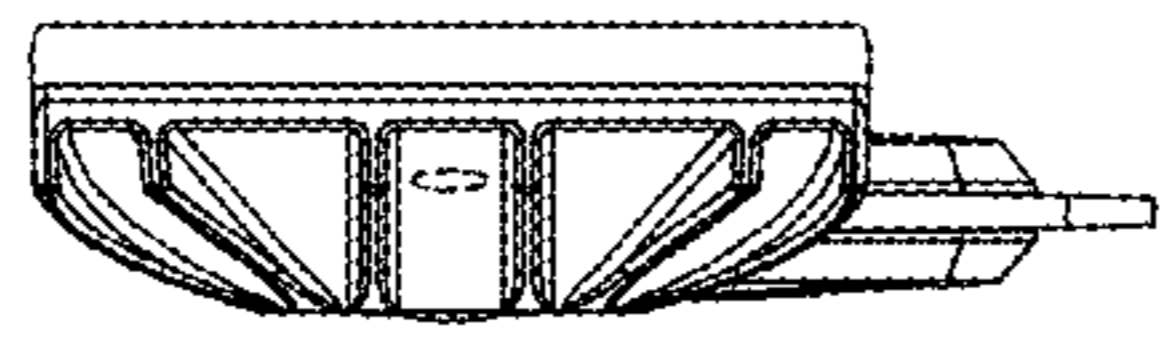


Fig. 7

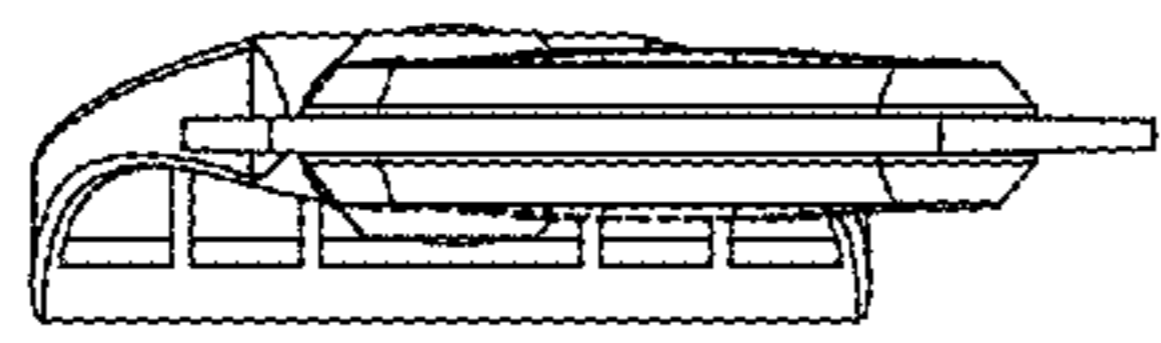


Fig. 6

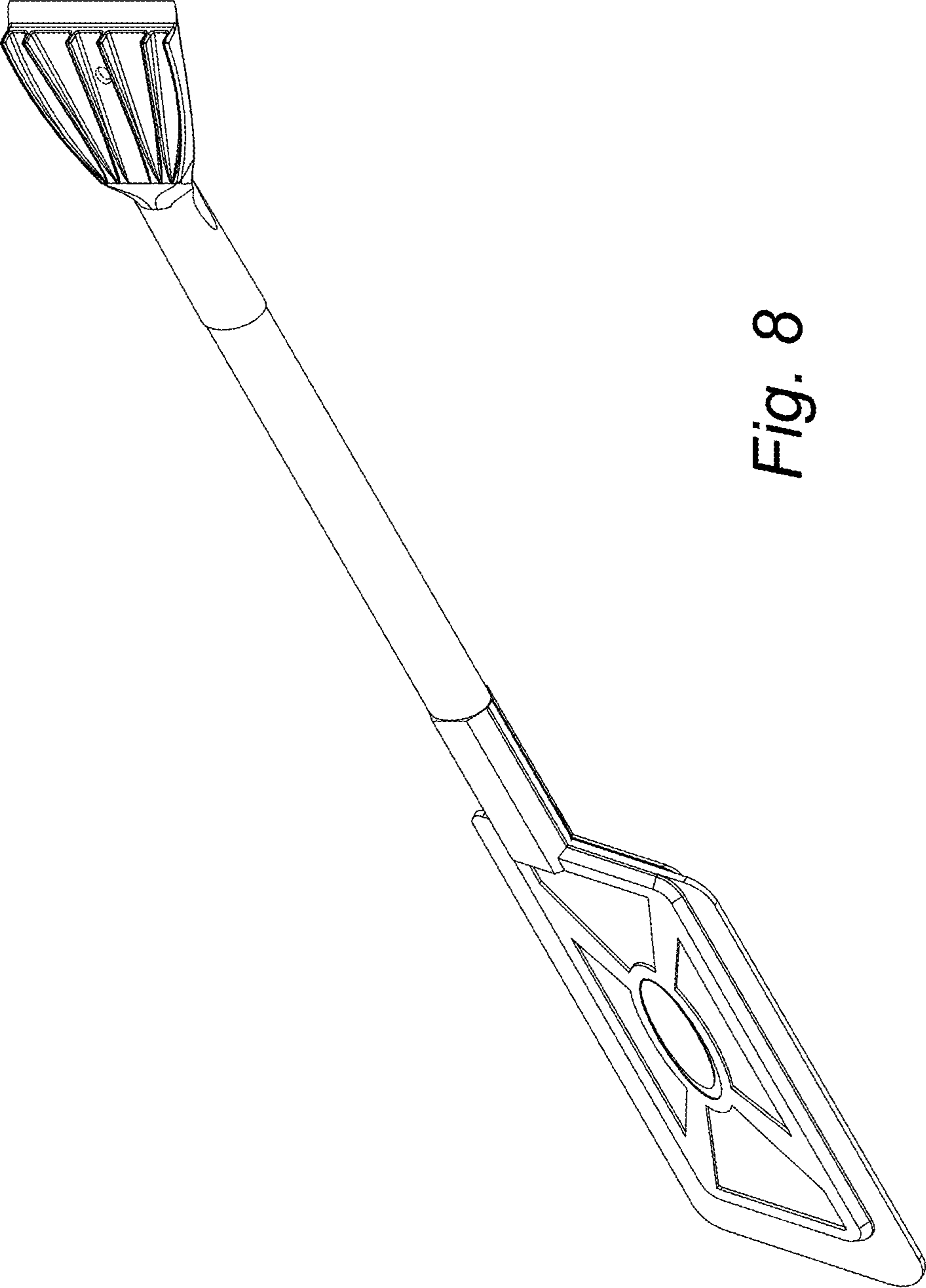


Fig. 8

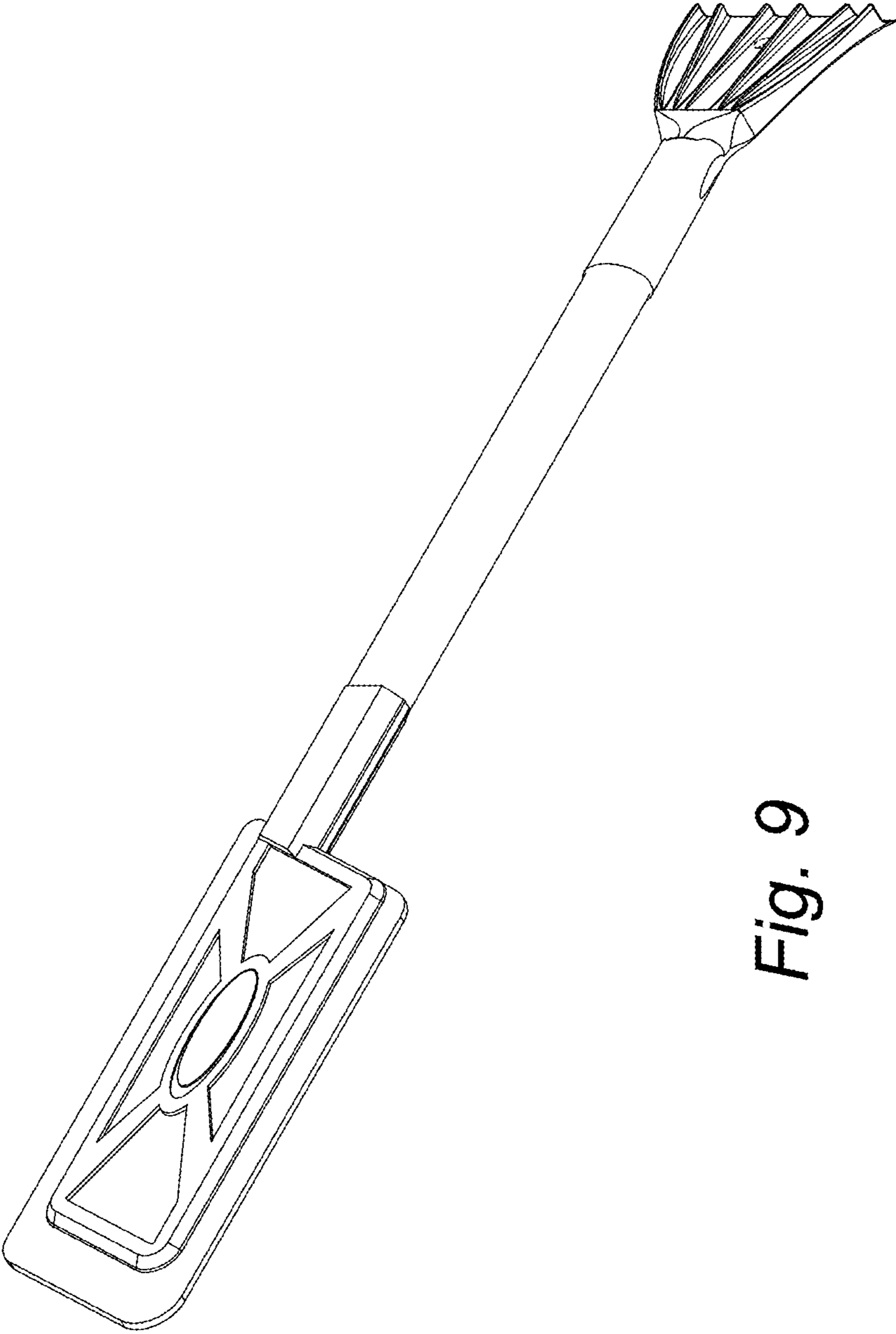


Fig. 9

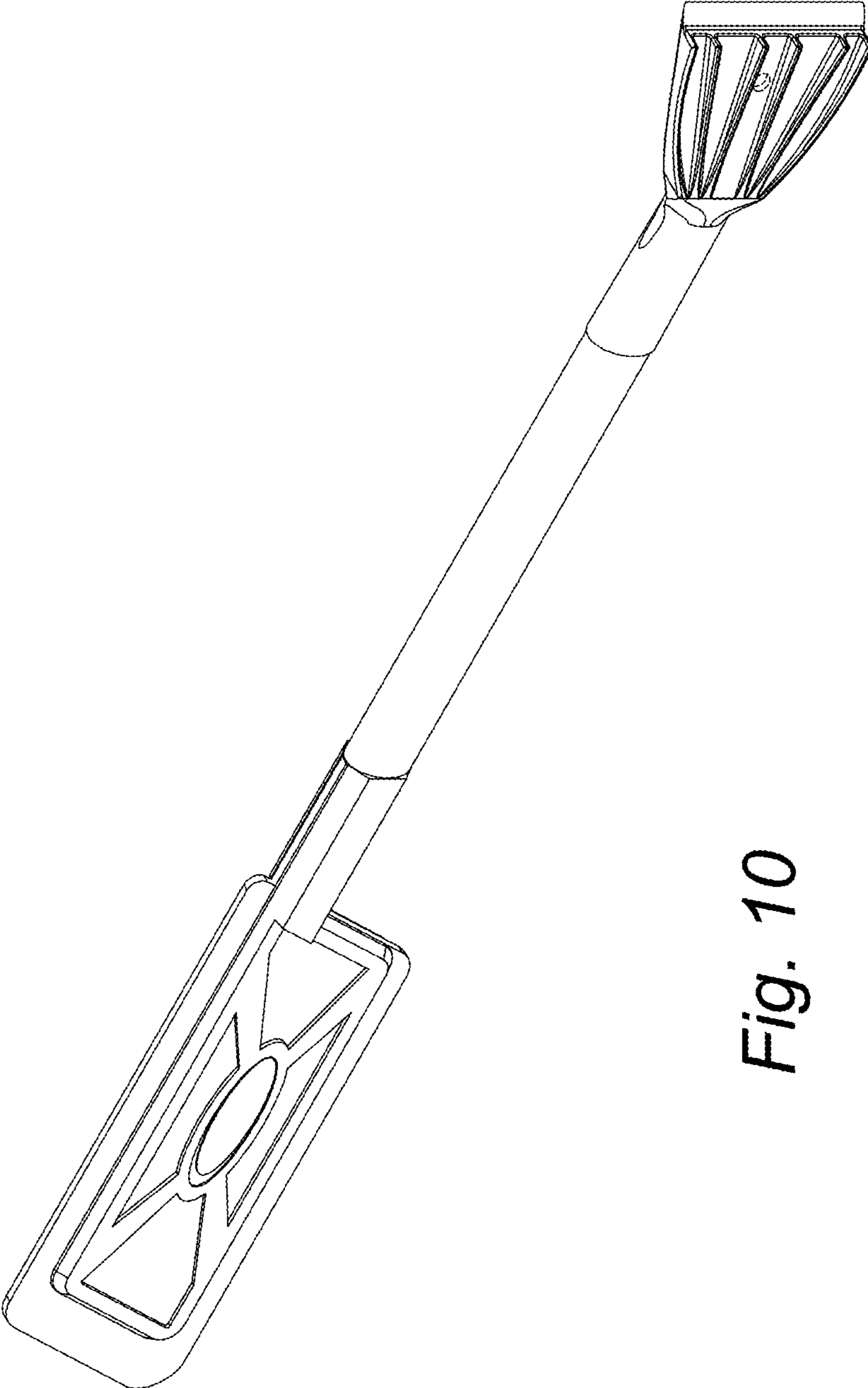


Fig. 10