



US00D838491S

(12) **United States Design Patent**
Pariseau

(10) **Patent No.:** **US D838,491 S**
(45) **Date of Patent:** **** Jan. 22, 2019**

(54) **COMBINATION TOOTHBRUSH AND FLOSSER**

(71) Applicant: **Marielle Pariseau**, Midway, UT (US)

(72) Inventor: **Marielle Pariseau**, Midway, UT (US)

(**) Term: **15 Years**

(21) Appl. No.: **29/632,075**

(22) Filed: **Jan. 4, 2018**

Related U.S. Application Data

(63) Continuation of application No. 15/190,551, filed on Jun. 23, 2016, now abandoned.

(51) **LOC (11) Cl.** **04-02**

(52) **U.S. Cl.**
USPC **D4/108**

(58) **Field of Classification Search**

USPC D4/104, 105, 106, 107, 108, 109, 110,
D4/111, 112, 113, 114, 115, 116, 117,
D4/118, 121, 122; D28/65, 68
(Continued)

(56) **References Cited**

U.S. PATENT DOCUMENTS

158,673 A * 1/1875 Bulkley A46B 15/0071
132/309
335,345 A * 2/1886 Estabrook 15/167.1
(Continued)

FOREIGN PATENT DOCUMENTS

KR 300861394.0000 * 6/2016

OTHER PUBLICATIONS

“Brushee Disposable Travel Toothbrush w/Toothpaste, Floss and Pick” May 15, 2017 <<http://brushee.com/>>.

(Continued)

Primary Examiner — Karen E Eldridge Powers

(74) *Attorney, Agent, or Firm* — Maschoff Brennan; Paul G. Johnson

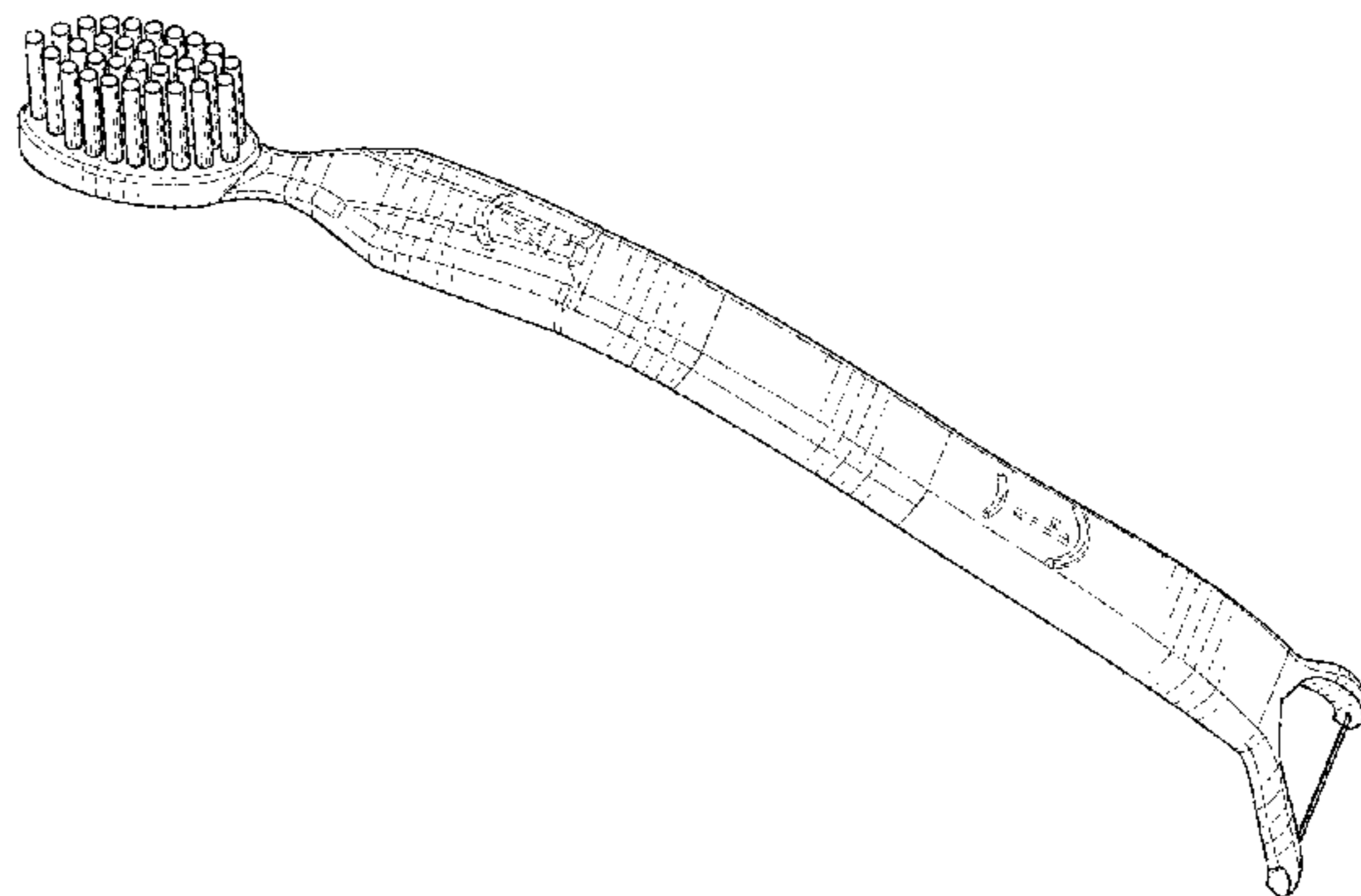
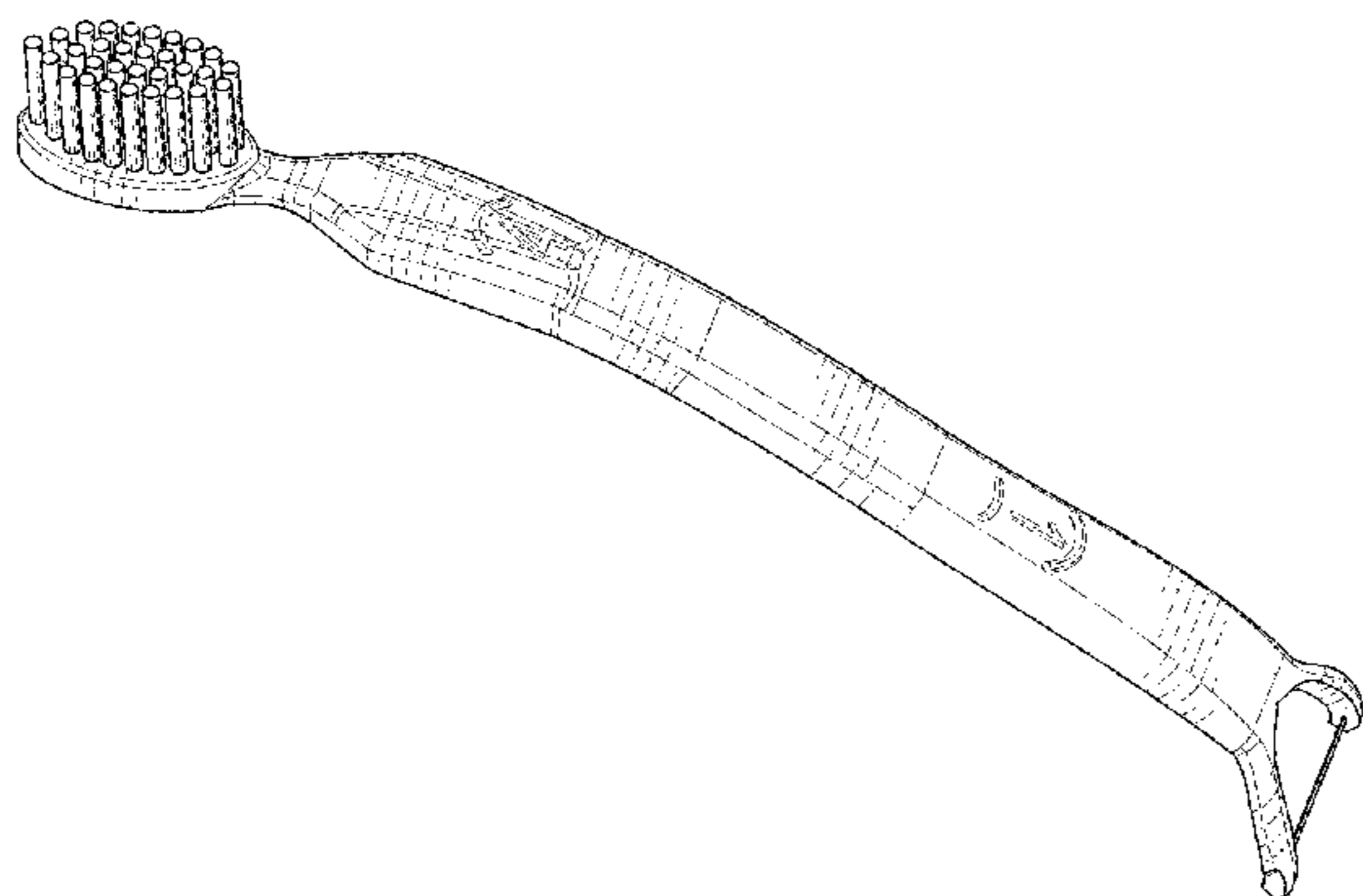
(57) **CLAIM**

The ornamental design for a combination toothbrush and flosser, as shown and described.

DESCRIPTION

FIG. 1 is a top front perspective view of an embodiment of a combination toothbrush and flosser;
FIG. 2 is a bottom rear perspective view of the combination toothbrush and flosser shown in FIG. 1;
FIG. 3 is a left side view of the combination toothbrush and flosser shown in FIG. 1;
FIG. 4 is a right side view of the combination toothbrush and flosser shown in FIG. 1;
FIG. 5 is a rear view of the combination toothbrush and flosser shown in FIG. 1;
FIG. 6 is a front view of the combination toothbrush and flosser shown in FIG. 1;
FIG. 7 is a top view of the combination toothbrush and flosser shown in FIG. 1;
FIG. 8 is a bottom view of the combination toothbrush and flosser shown in FIG. 1;
FIG. 9 is a top front perspective view of another embodiment of a combination toothbrush and flosser;
FIG. 10 is a bottom rear perspective view of the combination toothbrush and flosser shown in FIG. 9;
FIG. 11 is a left side view of the combination toothbrush and flosser shown in FIG. 9;
FIG. 12 is a right side view of the combination toothbrush and flosser shown in FIG. 9;
FIG. 13 is a rear view of the combination toothbrush and flosser shown in FIG. 9;
FIG. 14 is a front view of the combination toothbrush and flosser shown in FIG. 9;
FIG. 15 is a top view of the combination toothbrush and flosser shown in FIG. 9; and,
FIG. 16 is a bottom view of the combination toothbrush and flosser shown in FIG. 9.

(Continued)



The broken lines are shown for the purpose of illustrating parts of the article that form no part of the claimed design.

1 Claim, 14 Drawing Sheets

(58) **Field of Classification Search**

CPC A46B 9/04; A46B 2200/1066; A46B 2200/1073; A46B 9/045; A46B 15/0071; A46B 15/0073; A61C 15/04

See application file for complete search history.

(56) **References Cited**

U.S. PATENT DOCUMENTS

736,650 A * 8/1903 Storms, Jr. A46B 15/0071
132/309
D63,608 S * 12/1923 Bevans 15/105
1,792,429 A * 2/1931 Klinger A46B 15/0071
132/309
D92,616 S * 6/1934 Largever 15/167.1
2,113,439 A * 4/1938 Bean A46B 15/0071
132/309
D139,264 S * 10/1944 Lettig 15/167.1
3,850,182 A * 11/1974 Clark, Jr. A46B 15/0071
132/309
3,861,406 A * 1/1975 Stitt A46B 15/0071
132/309
3,939,853 A * 2/1976 Spanondis A61C 15/046
132/323
D240,341 S * 6/1976 Jajjar D4/108
4,351,080 A * 9/1982 Grossman A46B 5/02
15/143.1
D290,312 S * 6/1987 Wang D28/68
4,729,142 A * 3/1988 Yoshioka A46B 9/04
15/167.1
D315,988 S * 4/1991 Tanaka D28/68
D316,782 S * 5/1991 Torbenson D28/68
D357,123 S * 4/1995 Brown D4/104
D358,259 S * 5/1995 Sears D4/104
D421,843 S * 3/2000 Joergensen D4/104
D599,557 S * 9/2009 Crossman D4/108
D628,807 S * 12/2010 Vazquez D4/106
D640,833 S * 6/2011 Kang D28/68

D666,006 S * 8/2012 Zarrabi D28/68
D671,268 S * 11/2012 Nanda D28/65
D691,377 S * 10/2013 Zarrabi D28/68
D723,286 S * 3/2015 Song D4/108
D723,809 S * 3/2015 Song D4/108
8,997,761 B1 * 4/2015 Mitchell A46B 15/0071
132/309
D772,578 S * 11/2016 Isaacs D28/68
9,936,798 B2 * 4/2018 Rusznak A46B 15/0071
2004/0134510 A1 7/2004 Van Vilsteren et al.
2009/0188519 A1 * 7/2009 VanBuskirk A46B 15/0071
132/309
2010/0263149 A1 10/2010 Ballmaier et al.
2010/0269280 A1 10/2010 Thomas
2012/0204898 A1 * 8/2012 Haley A46B 11/0003
132/309
2013/0000658 A1 1/2013 Nguyen et al.
2013/0220363 A1 * 8/2013 Zarrabi A46B 15/0055
132/309
2014/0360526 A1 * 12/2014 Rusznak A46B 15/00713
132/309
2016/0166365 A1 6/2016 Ninh
2017/0007013 A1 * 1/2017 Pariseau A46B 15/0071
2017/0105517 A1 * 4/2017 Petrov A46B 15/0071

OTHER PUBLICATIONS

“Wisp Disposable Mini Toothbrush | Colgate®” May 15, 2017
<<http://www.colgate.com/en/us/oc/products/toothbrush/colgate-wisp>>.
“Fresh-Tips | Instant Fresh Breath While on the Go” May 15, 2017
<May 15, 2017 <<http://www.freshtips.com/>>.
“Happy Morning Xylitol Disposable Toothbrush” May 15, 2017
<http://www.hagerworldwide.com/happy-morning-toothbrushes/view/productdetails/virtuemart_product_id/840/virtuemart_category_id/66>.
“Dental Supplies: Professional Dental Office Materials & Products in Bulk | PlakSmacker.com” May 15, 2017 <<https://www.plaksmacker.com/>>.
Hart Sport, hart Hopscotch Mat, Feb. 1, 2011, Hart Sport, date stamp, figure, 1 paragraph.
Silver-Care, Antibacterial Dental Floss, Feb. 1, 2012, Silver-Care, date stamp, 1 figure, two paragraphs.
Dentistry IQ, Single-use toothbrush has xylitol toothpaste in bristles. Nov. 23, 2009, Dentistry IQ, date stamp, 8 paragraphs.

* cited by examiner

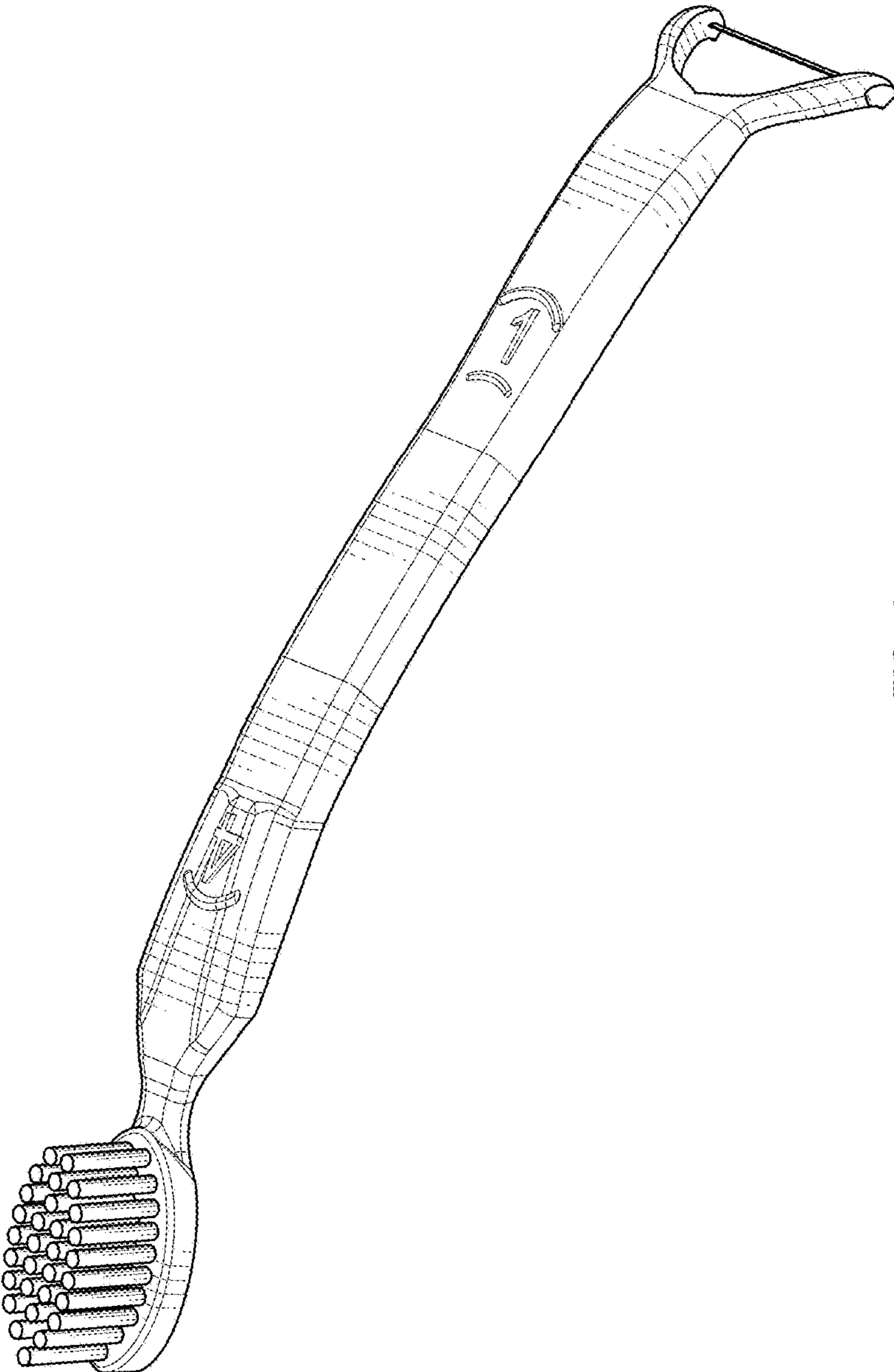


FIG. 1

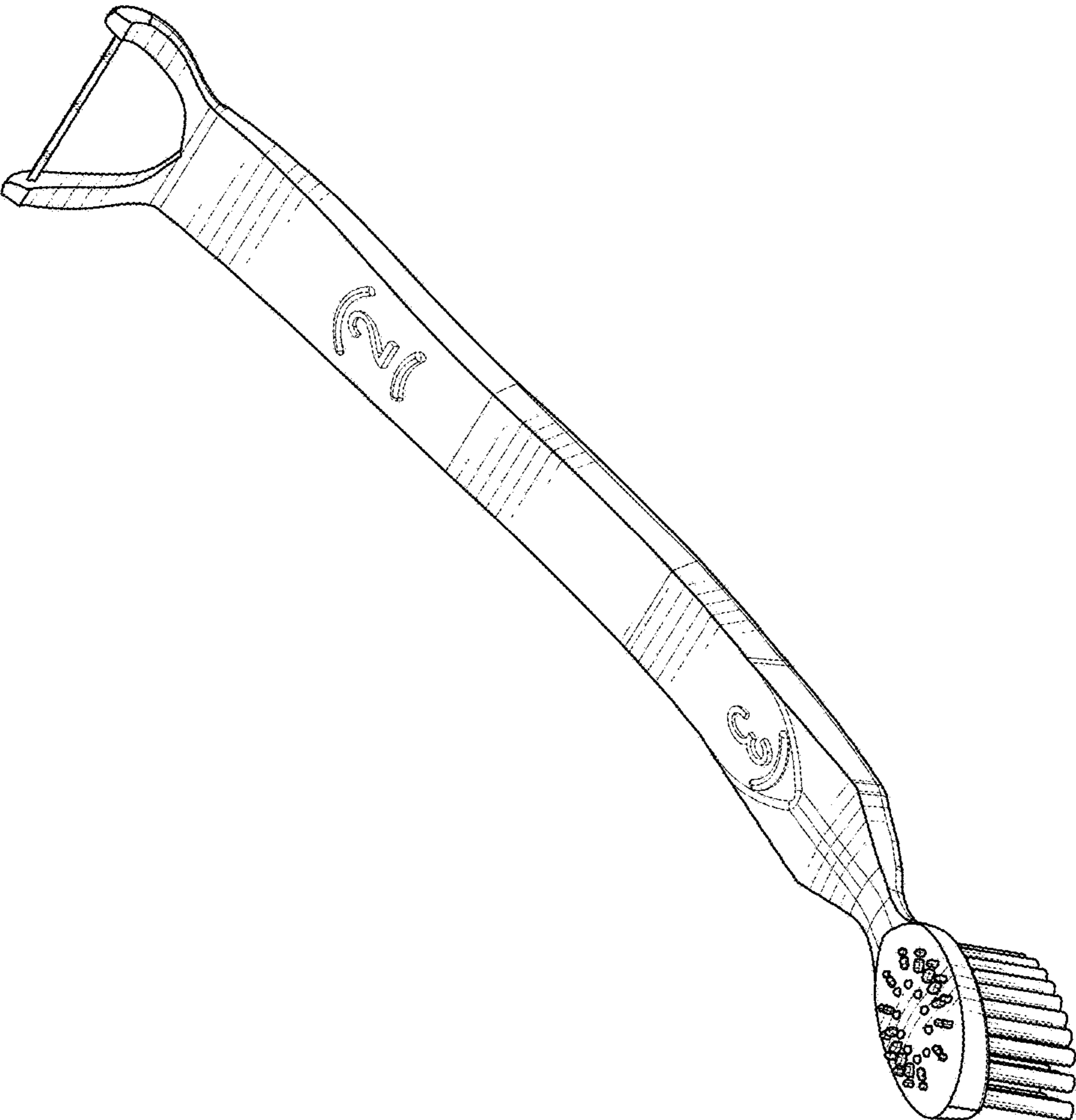


FIG. 2

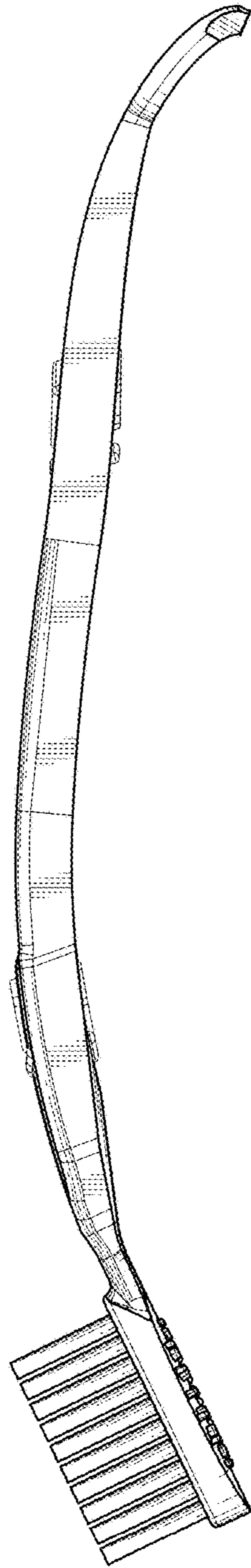


FIG. 3

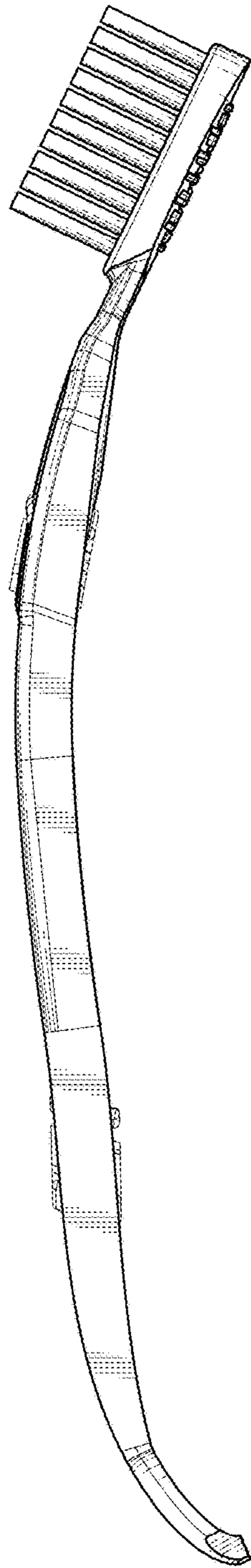


FIG. 4

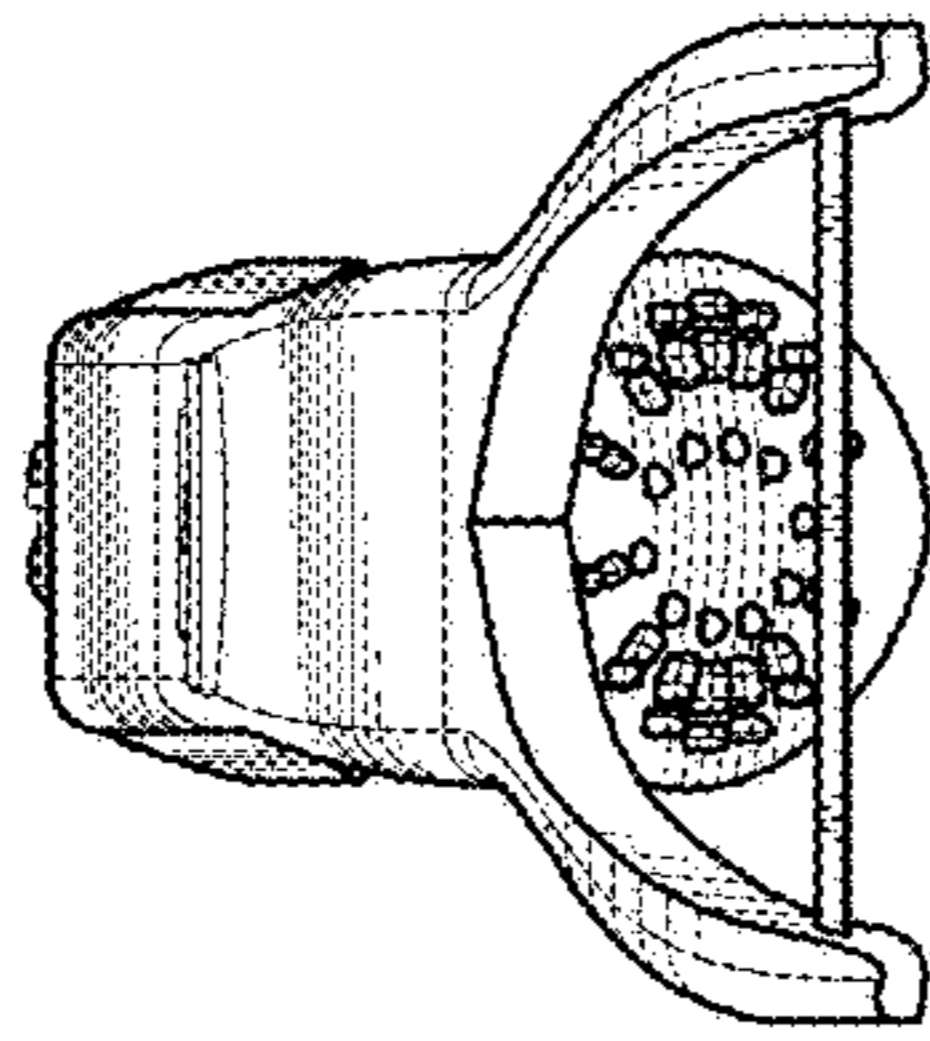


FIG. 6

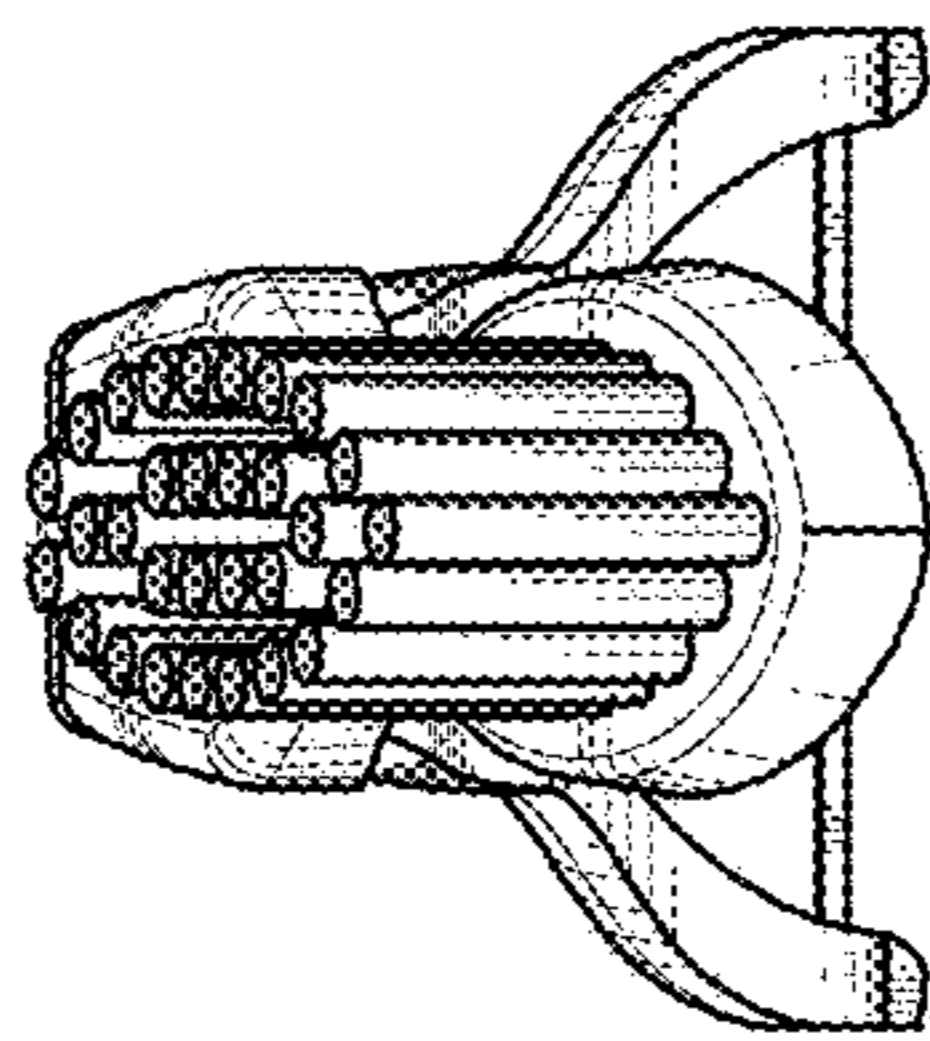


FIG. 5

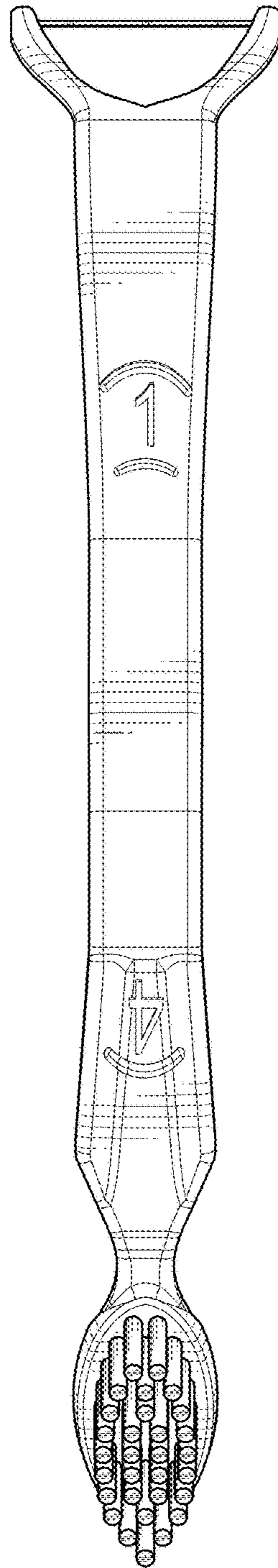


FIG. 7

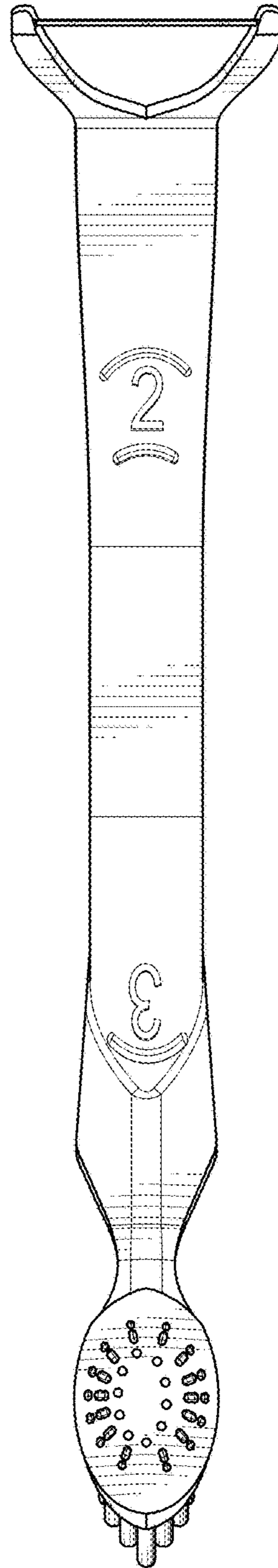


FIG. 8

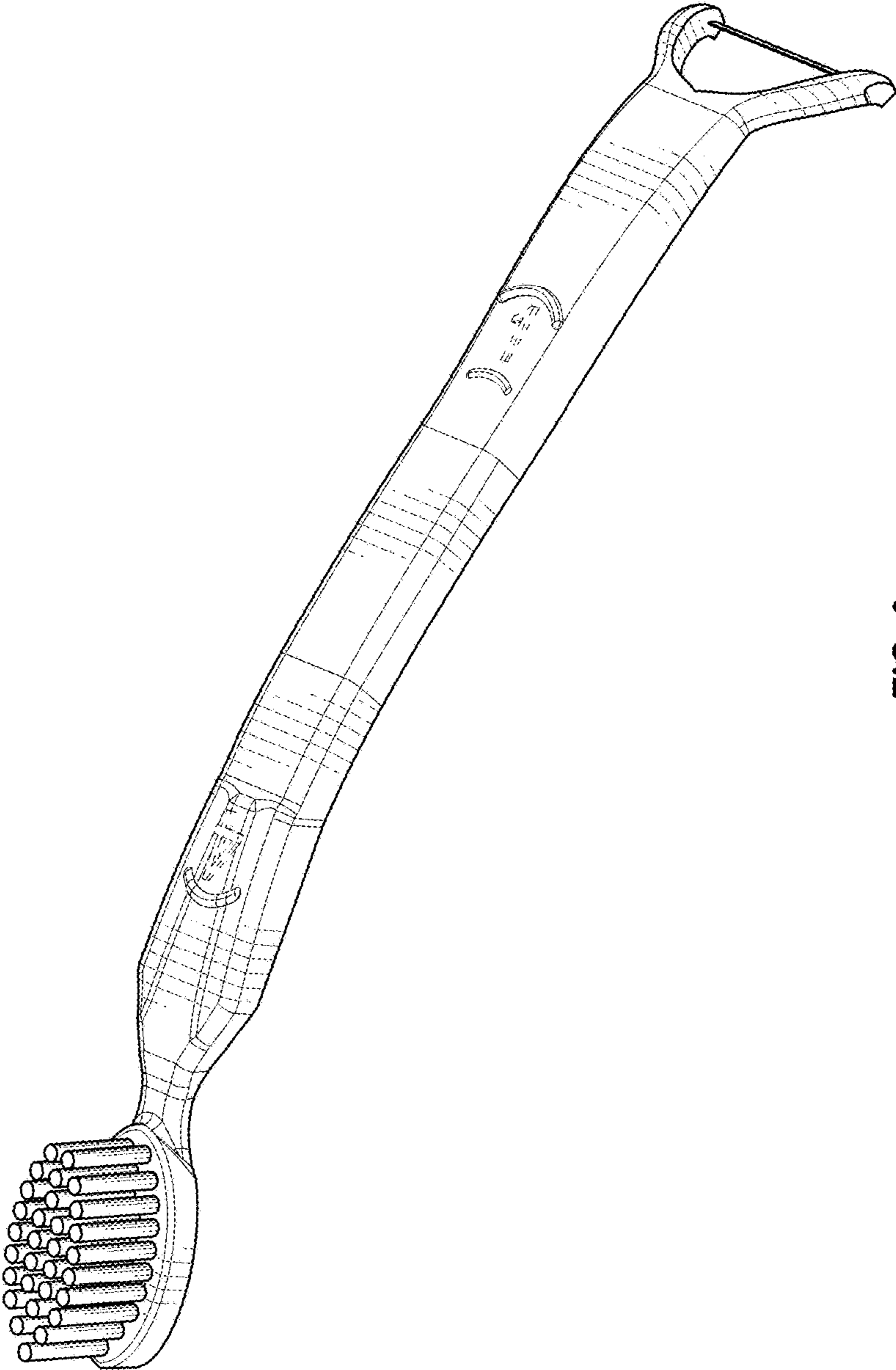


FIG. 9

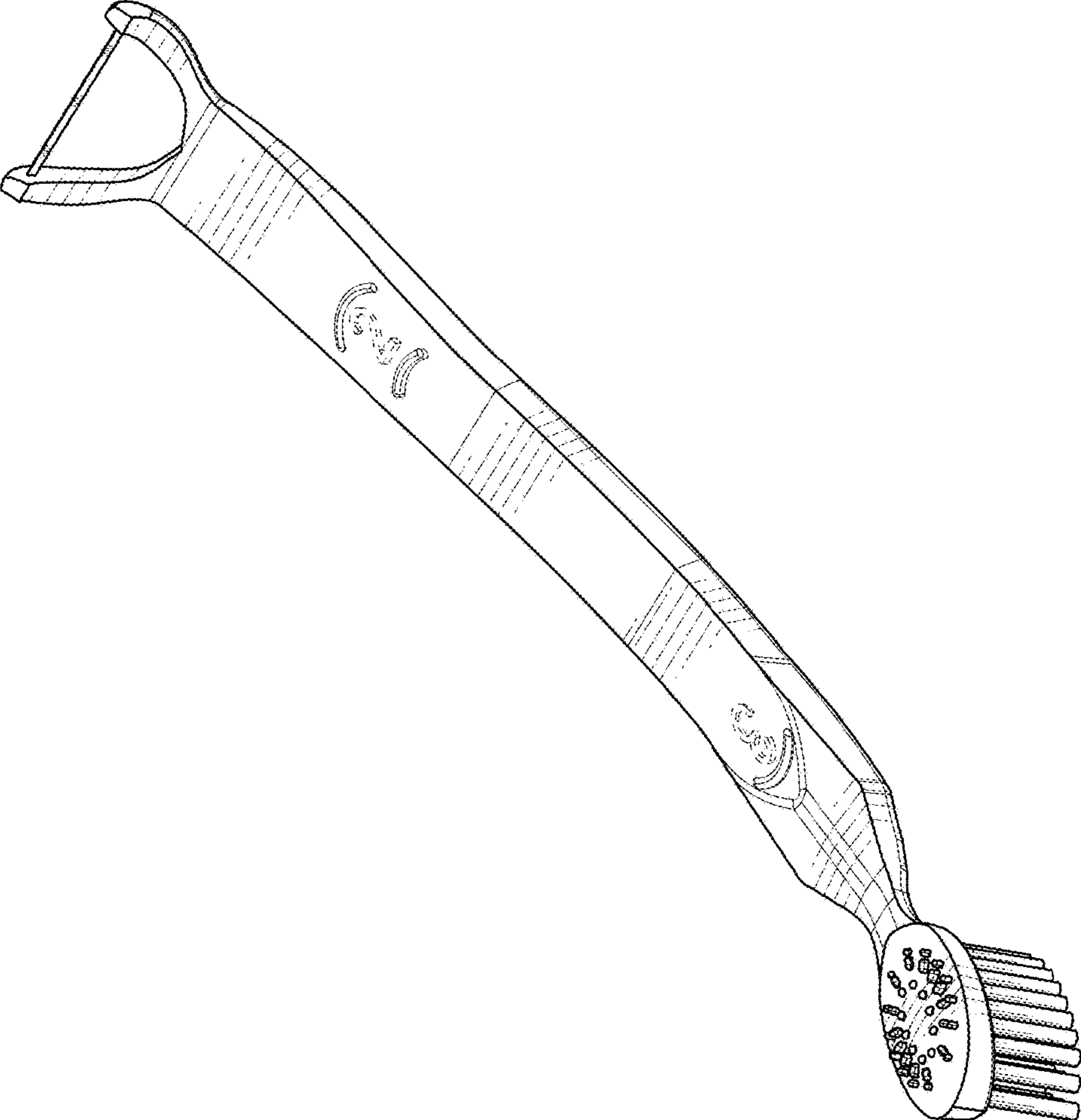


FIG. 10

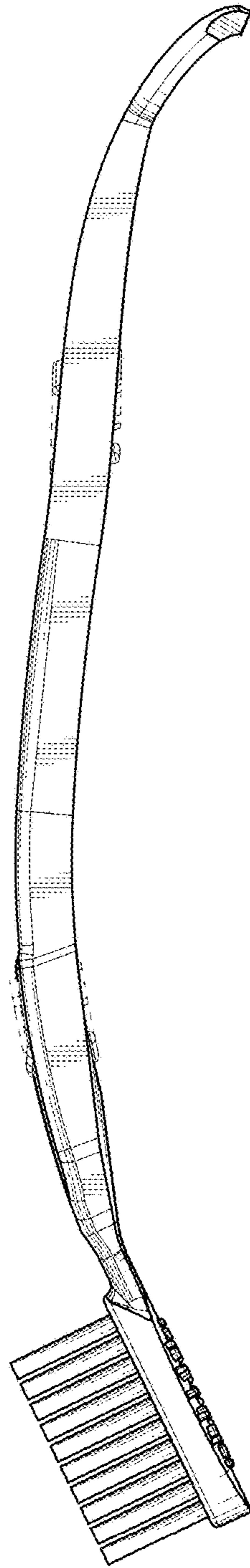


FIG. 11

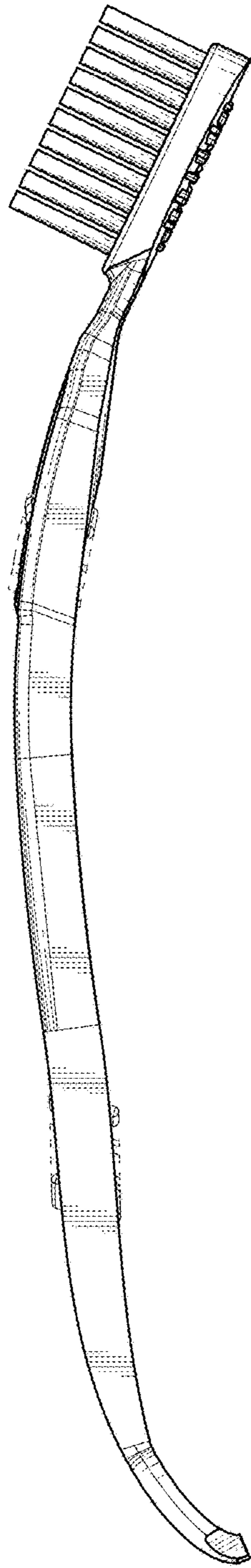


FIG. 12

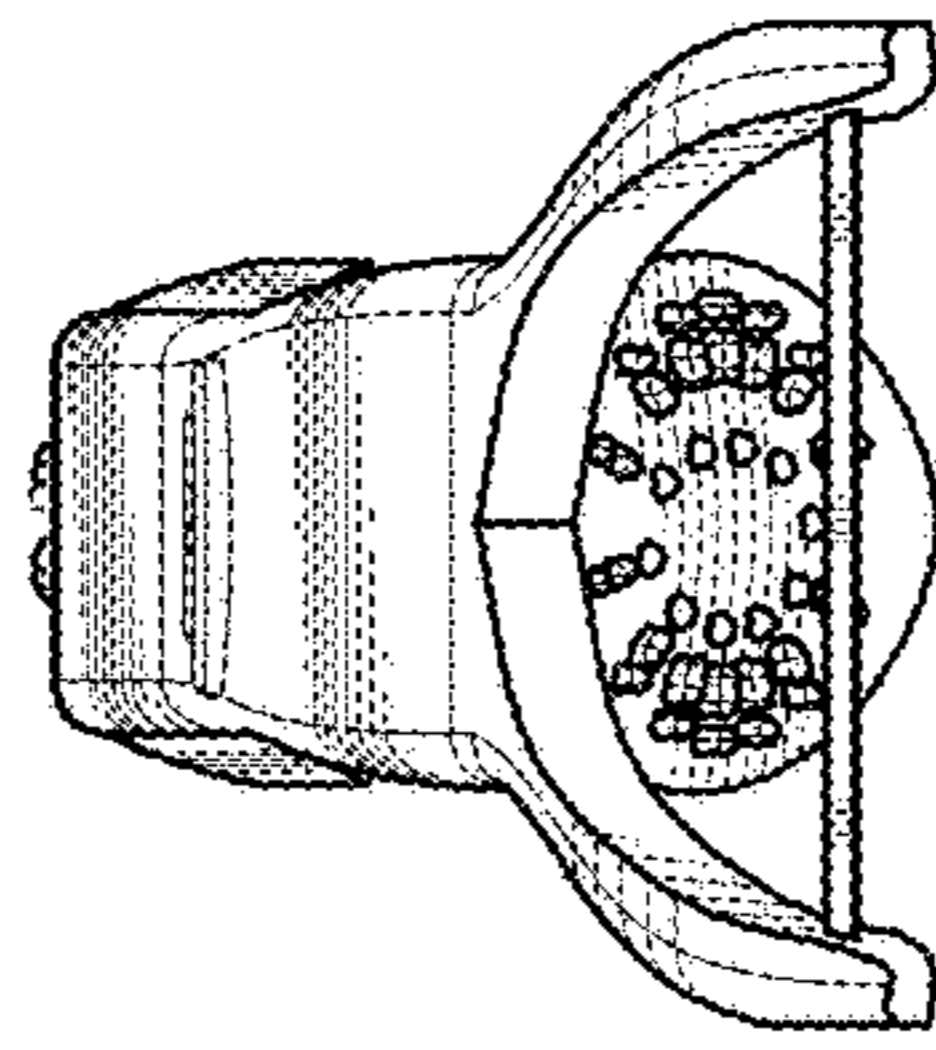


FIG. 14

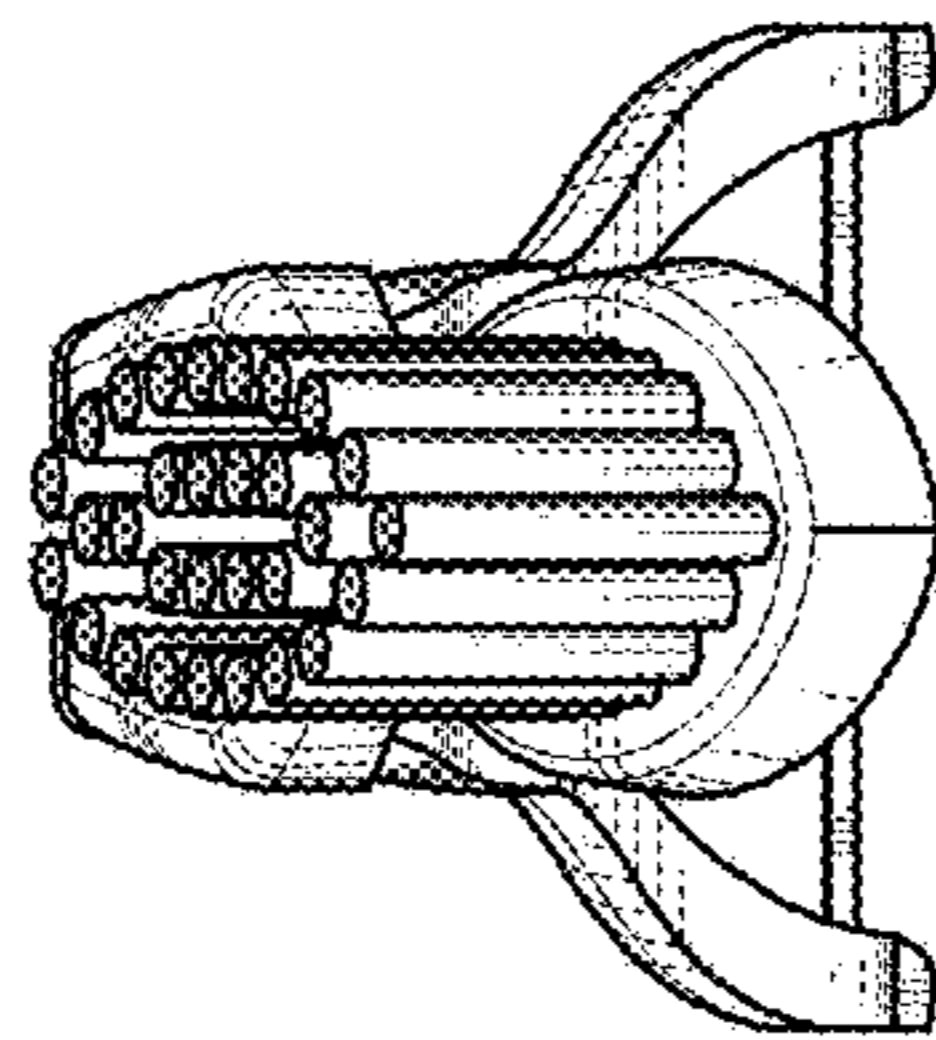


FIG. 13

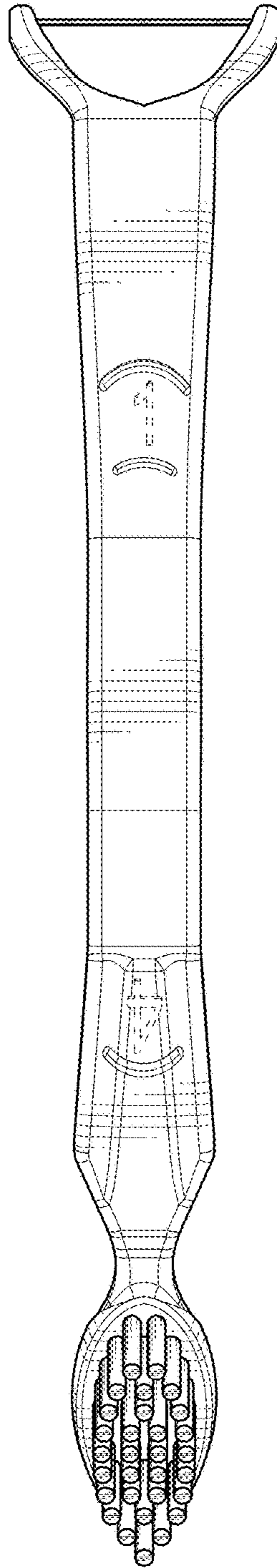


FIG. 15

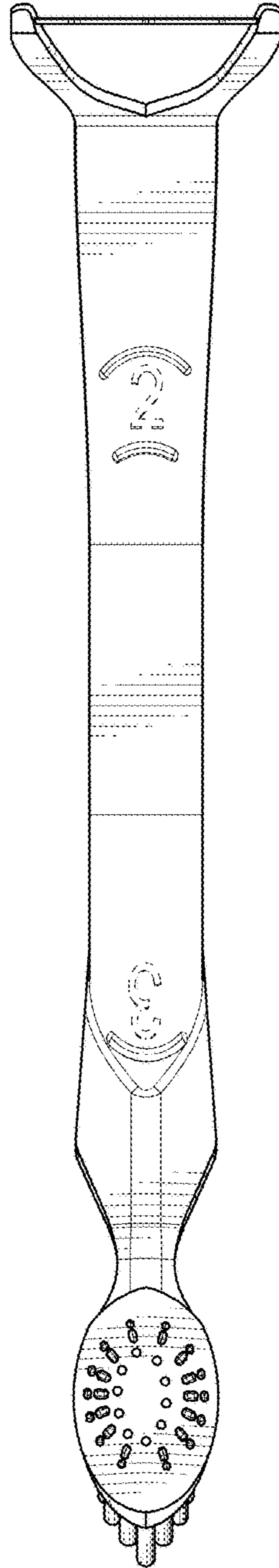


FIG. 16