



US00D838489S

(12) **United States Design Patent**
Bruce et al.

(10) **Patent No.:** **US D838,489 S**
(45) **Date of Patent:** **** Jan. 22, 2019**

- (54) **PORE CLEANSING BRUSH**
- (71) Applicant: **The Proactiv Company Sàrl**, Lausanne (CH)
- (72) Inventors: **Scott W. Bruce**, El Segundo, CA (US); **Kimber Maderazzo**, El Segundo, CA (US)
- (73) Assignee: **The Proactiv Company Sàrl**, Lausanne (CH)
- (**) Term: **15 Years**
- (21) Appl. No.: **29/619,501**
- (22) Filed: **Sep. 29, 2017**
- (51) **LOC (11) Cl.** **04-02**
- (52) **U.S. Cl.**
USPC **D4/102**
- (58) **Field of Classification Search**
USPC D4/101, 102, 107, 109, 111, 118, 121, D4/127, 128, 130, 132-135, 199; D24/146, 152, 176, 200, 211, 213, 214, D24/215; D28/4, 7, 99; 601/114
CPC A46B 13/00; A46B 13/001; A46B 13/02; A46B 13/023; A46B 15/00; A46B 15/0045; A46B 15/0097; A46B 2200/00; A46B 2200/10; A46B 2200/1006; A46B 2200/102; A46D 1/00
See application file for complete search history.

- D743,174 S * 11/2015 von Berg D4/102
- D744,754 S * 12/2015 Reishus D4/102
- D770,181 S * 11/2016 Reishus D4/100
- D771,951 S * 11/2016 Reishus D4/100
- D781,588 S * 3/2017 Lee D4/102
- D811,747 S * 3/2018 Powell D4/102
- D819,338 S * 6/2018 Xiong D4/102
- 2016/0183671 A1* 6/2016 Skidmore A46B 13/02
173/162.2
- 2016/0331106 A1* 11/2016 Khormaei A46B 7/08

* cited by examiner

Primary Examiner — Wan Laymon

Assistant Examiner — Clint A Samuel

(74) *Attorney, Agent, or Firm* — Panitch Schwarze
Belisario & Nadel LLP

(57) **CLAIM**

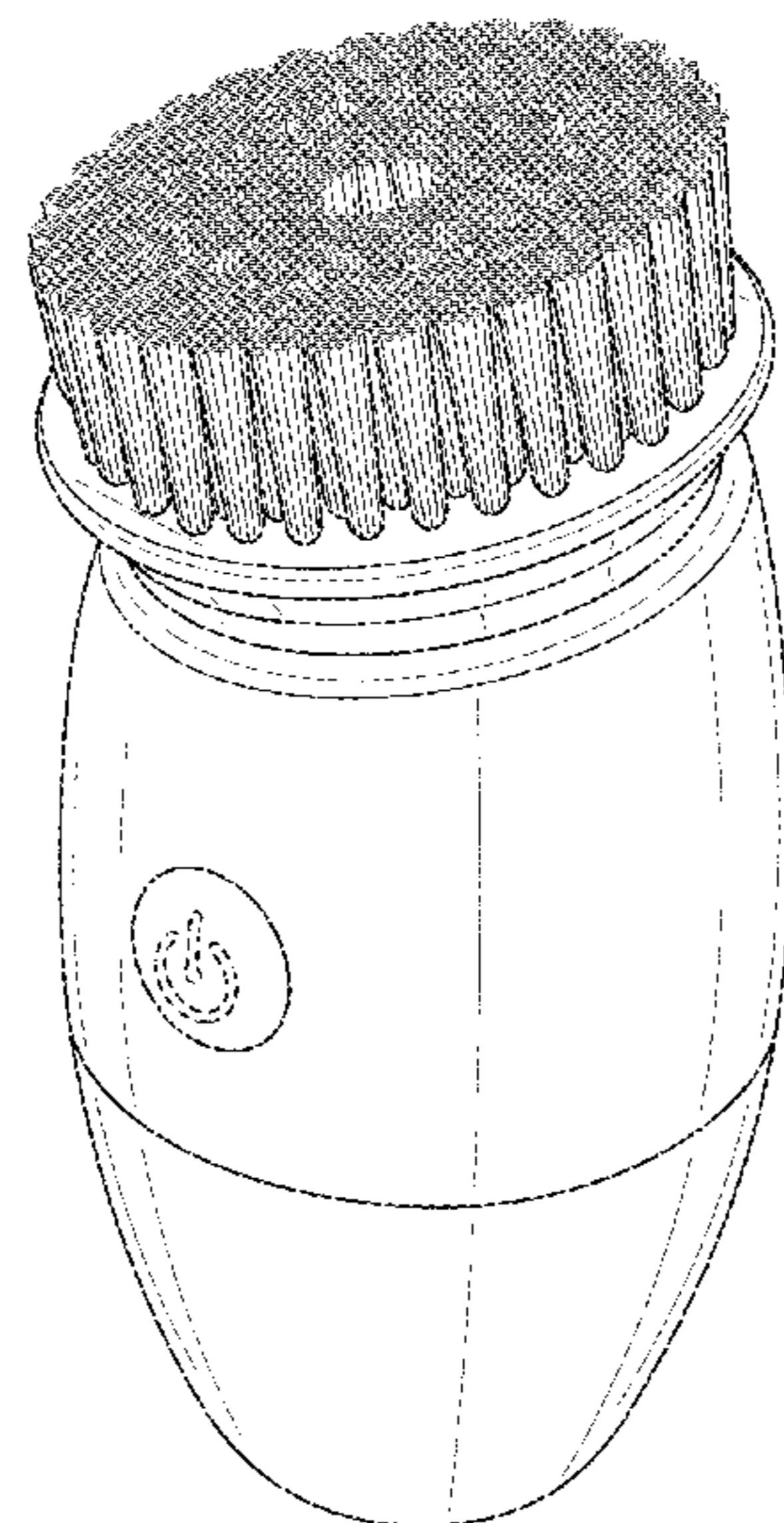
The ornamental design for a pore cleansing brush, as shown and described.

DESCRIPTION

FIG. 1 is a front perspective view of a pore cleansing brush in accordance with a preferred embodiment of our design; FIG. 2 is a front elevational view thereof; FIG. 3 is a rear elevational view thereof; FIG. 4 is a left side elevational view thereof, a right side elevational view thereof being a mirror image; FIG. 5 is a top plan view thereof; and, FIG. 6 is a bottom plan view thereof. The broken lines in the figures are for the purpose of showing environmental structure, are for illustrative purposes only, and form no part of the claimed design.

1 Claim, 6 Drawing Sheets

- (56) **References Cited**
U.S. PATENT DOCUMENTS
D549,964 S * 9/2007 Roth D4/102
D739,145 S * 9/2015 von Berg D4/102



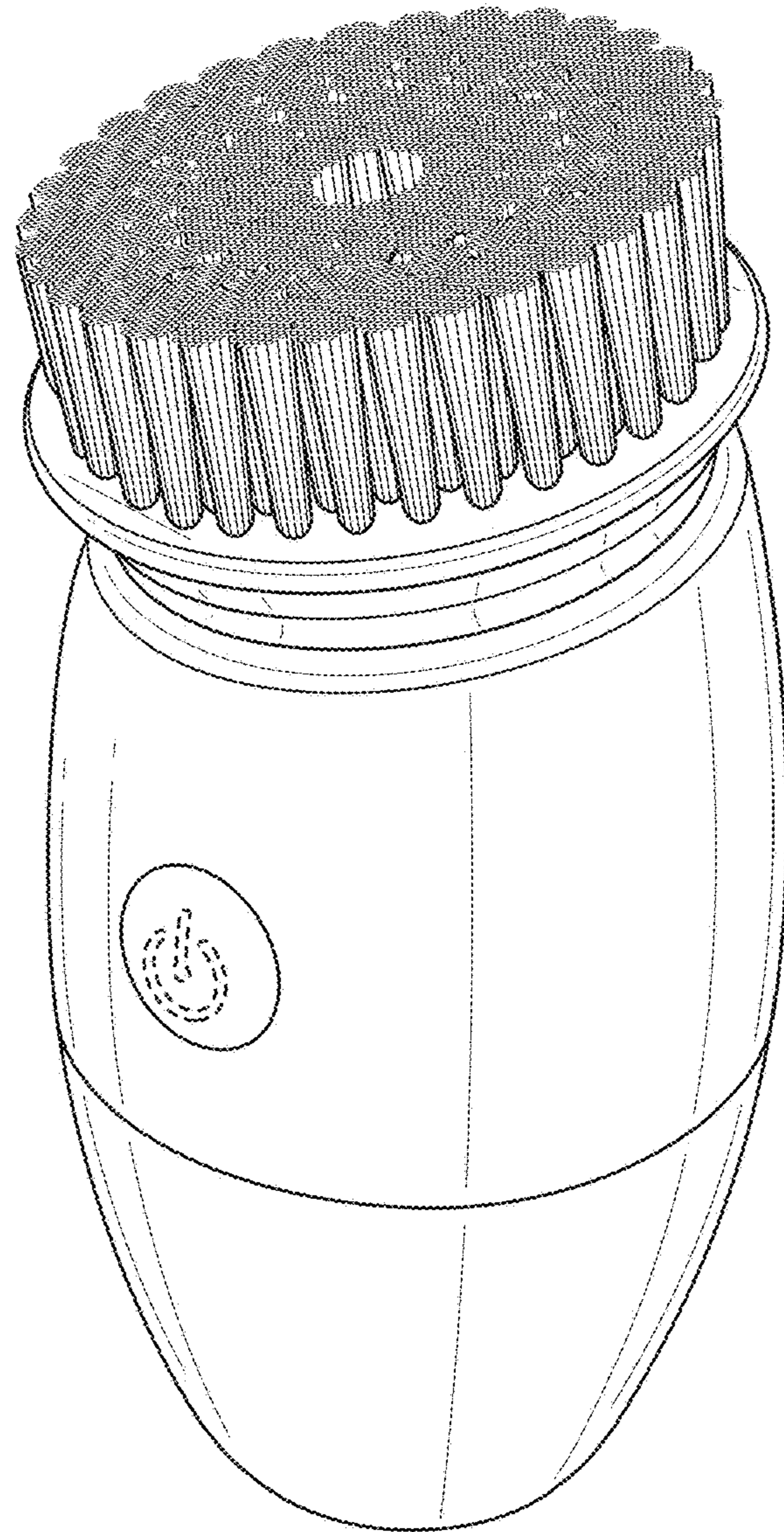


FIG. 1

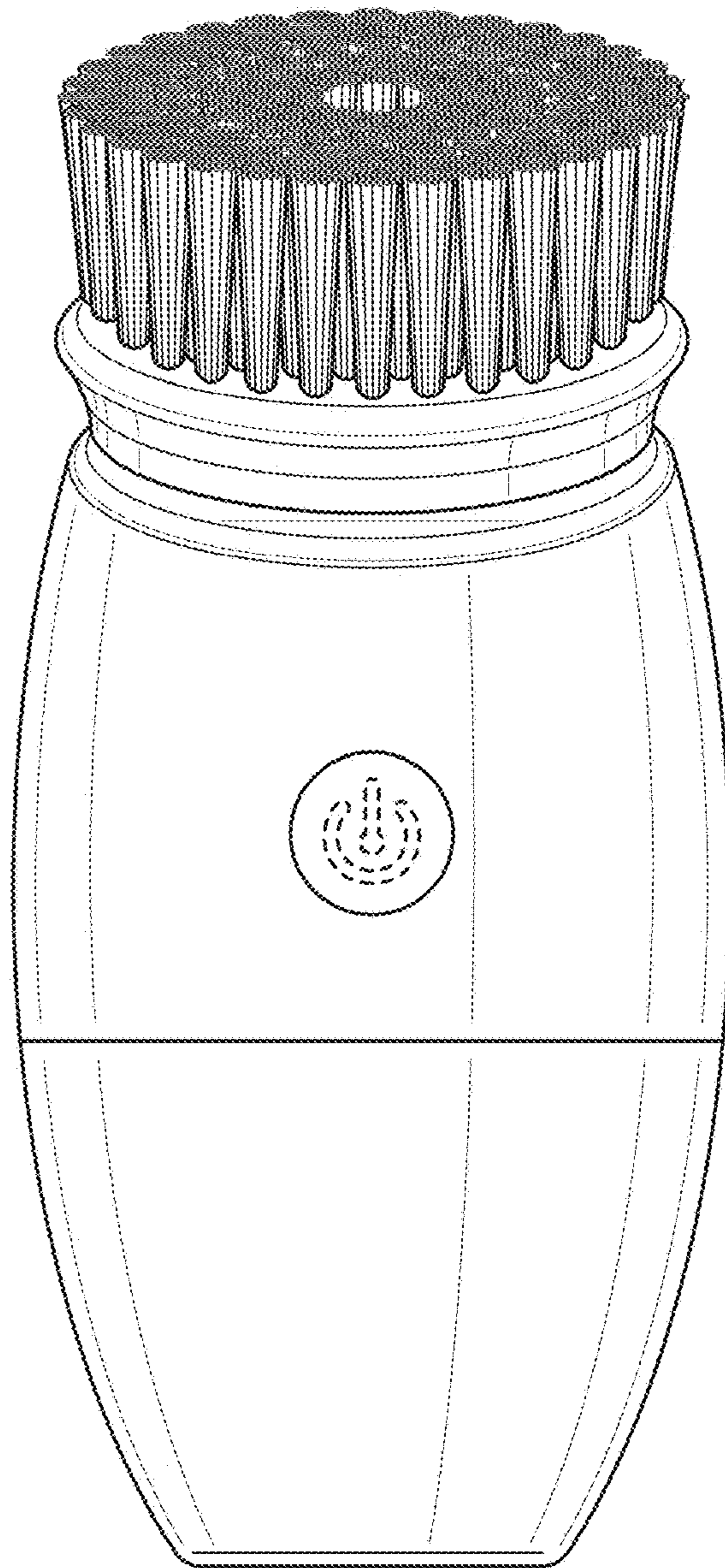


FIG. 2

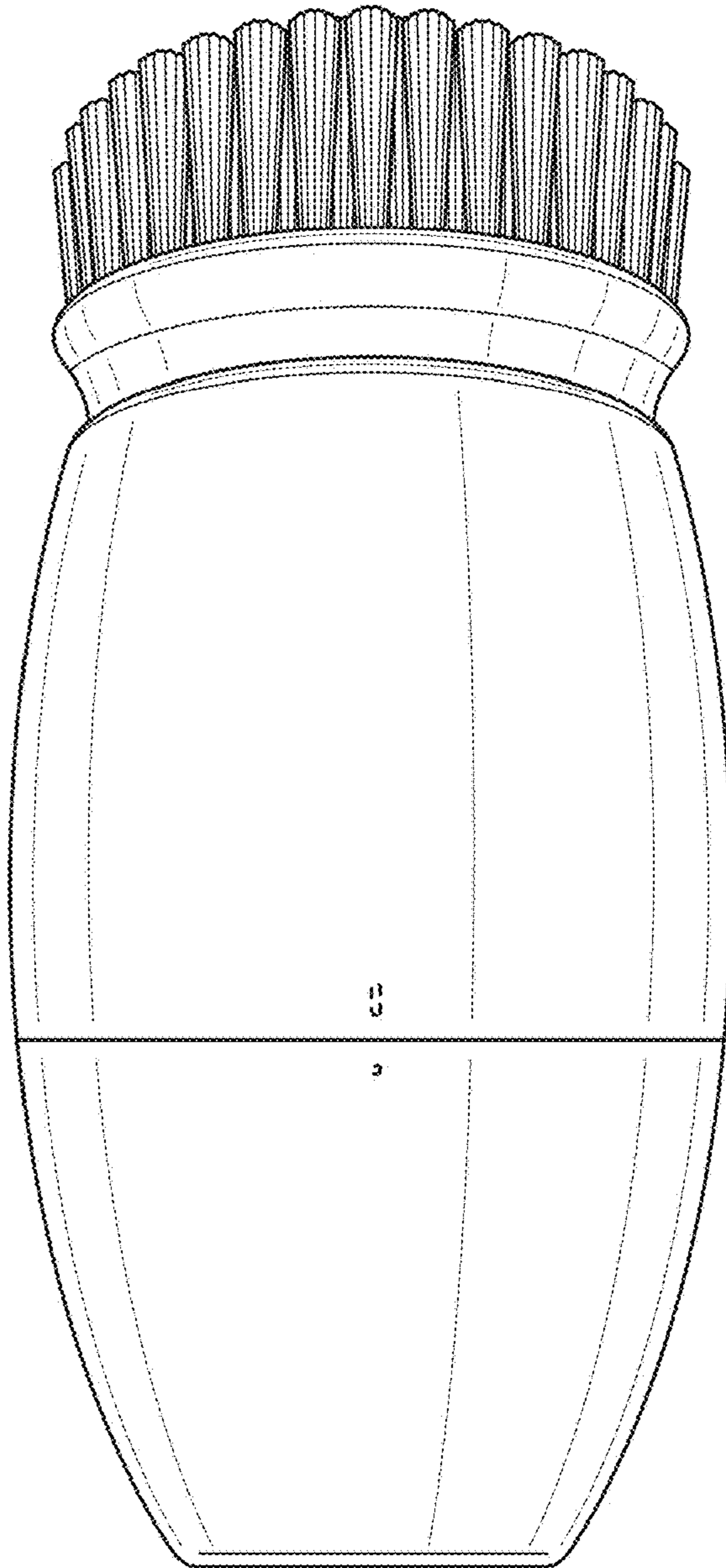


FIG. 3

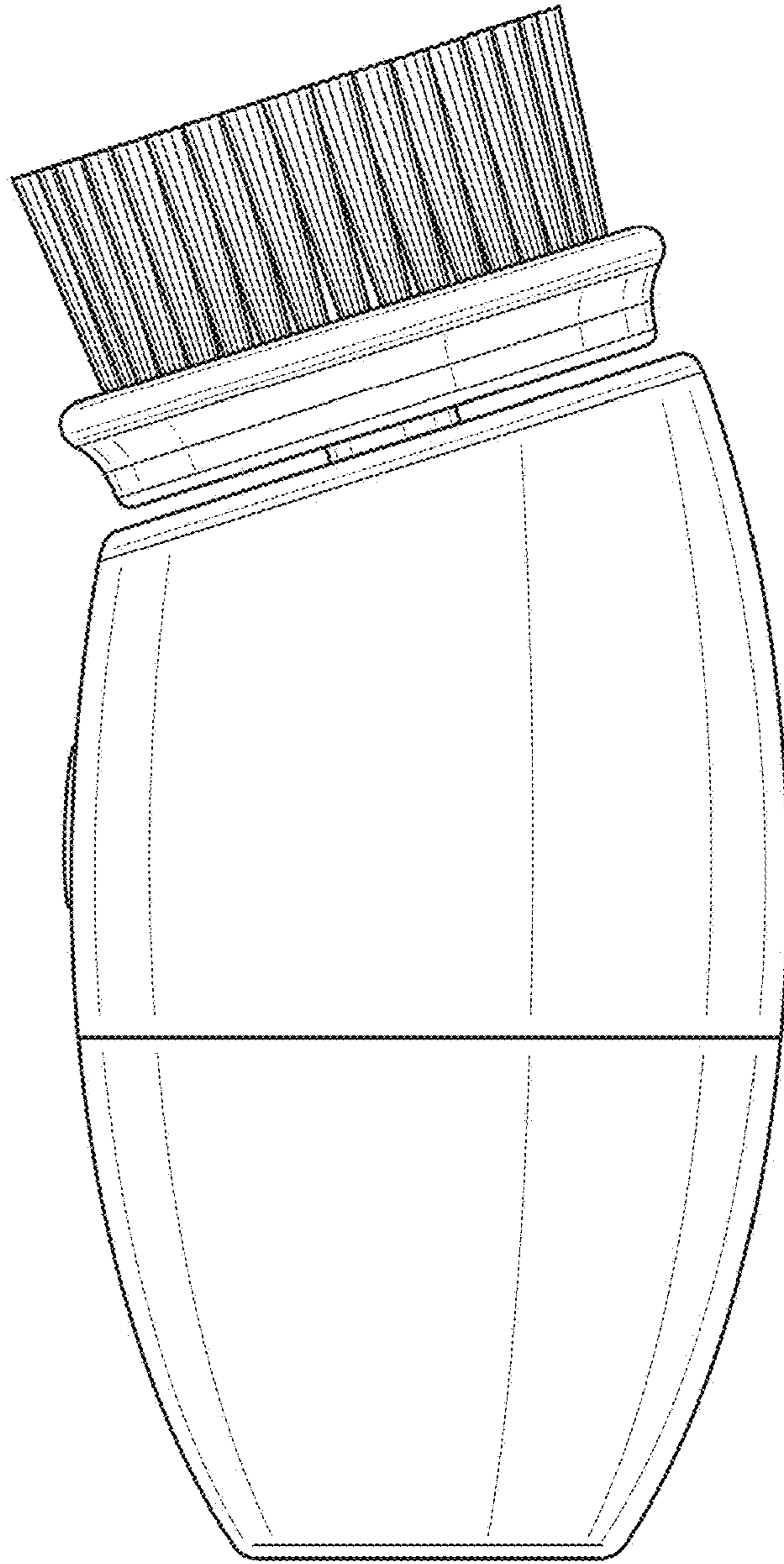


FIG. 4

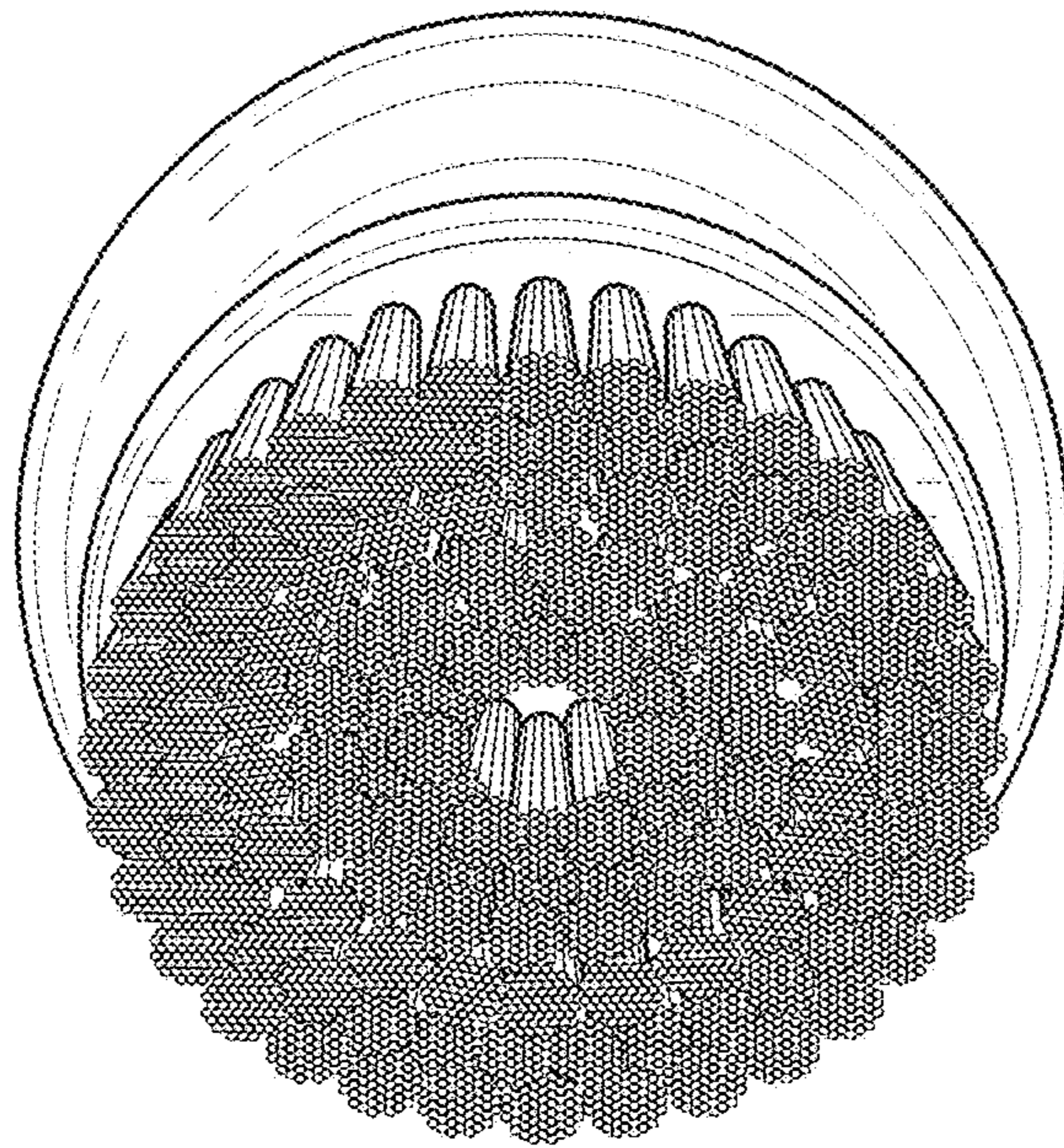


FIG. 5

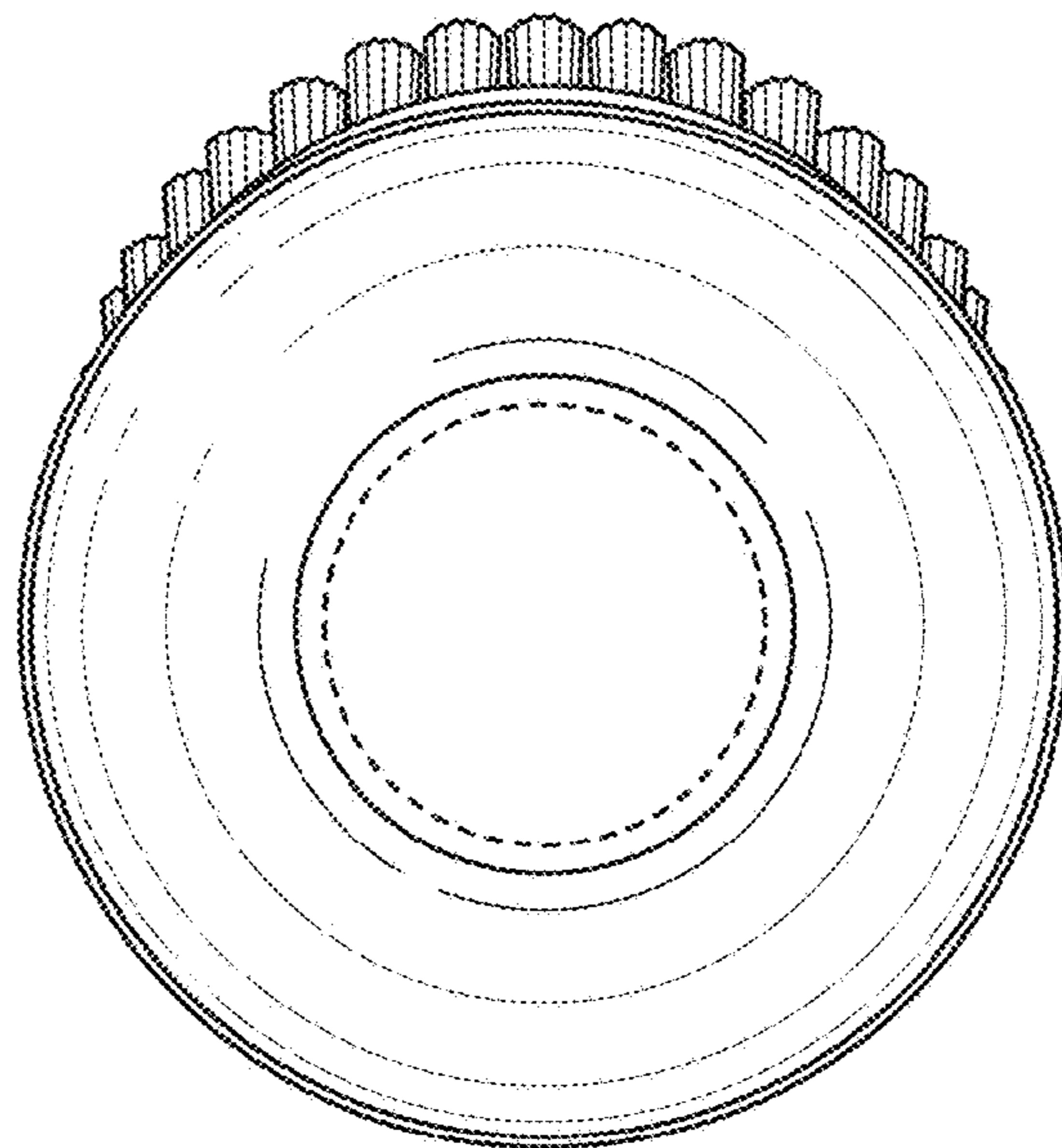


FIG. 6