



US00D838488S

(12) **United States Design Patent**
Dolce et al.

(10) **Patent No.:** **US D838,488 S**
(45) **Date of Patent:** **** Jan. 22, 2019**

(54) **CLOSING DEVICE FOR BAGS**
(71) Applicant: **DOLCE & GABBANA S.r.l.**, Milan (IT)
(72) Inventors: **Domenico Dolce**, Milan (IT); **Stefano Gabbana**, Milan (IT)
(73) Assignee: **DOLCE & GABBANA S.R.L.**, Milan (IT)
(**) Term: **15 Years**

1,202,002 A * 10/1916 Stone E05C 19/14
70/76
1,229,962 A * 6/1917 Isidor E05C 19/14
70/76
1,339,174 A * 5/1920 Duggan E05C 19/14
24/511
1,371,422 A * 3/1921 Isidor E05C 19/14
292/247
1,390,105 A * 9/1921 Erwin E05C 19/14
292/247
1,493,969 A * 5/1924 Dodge E05C 19/14
292/247
1,592,712 A * 7/1926 Andrew E05C 19/14
70/76

(21) Appl. No.: **29/599,568**

(Continued)

(22) Filed: **Apr. 5, 2017**

OTHER PUBLICATIONS

(30) **Foreign Application Priority Data**

Youtube, "Dolce & Gabbana Lucia Bag | First Impressions + Overview" posted by user RoseEllina on May 3, 2017. (https://www.youtube.com/watch?v=oOfg6_Kbgug) (Year: 2017).*

Dec. 23, 2016 (EM) 003536127

(Continued)

(51) **LOC (11) Cl.** **03-01**

(52) **U.S. Cl.**
USPC **D3/323**

Primary Examiner — Jennifer Rivard
Assistant Examiner — April Rivas

(58) **Field of Classification Search**
USPC D3/318, 323, 324, 327, 328, 232, 272;
D8/331, 336
CPC ... E05C 19/14; Y10T 70/5089; A44C 5/0092;
A45C 13/06; A45C 5/14; A45C 11/18;
A45C 5/18

(74) *Attorney, Agent, or Firm* — Jacobson Holman, PLLC.

See application file for complete search history.

(57) **CLAIM**

We claim the ornamental design for a closing device for bags, as shown and described.

(56) **References Cited**

DESCRIPTION

U.S. PATENT DOCUMENTS

323,830 A * 8/1885 Seymour E05C 19/14
292/247
741,778 A * 10/1903 Duggan E05C 19/14
70/76
759,181 A * 5/1904 Kerr E05C 19/14
292/249
850,891 A * 4/1907 Ahrend E05C 19/14
70/13

FIG. 1 is a front perspective of a closing device for bags embodying our design;

FIG. 2 is a top plan view of FIG. 1;

FIG. 3 is left side elevational view of FIG. 1;

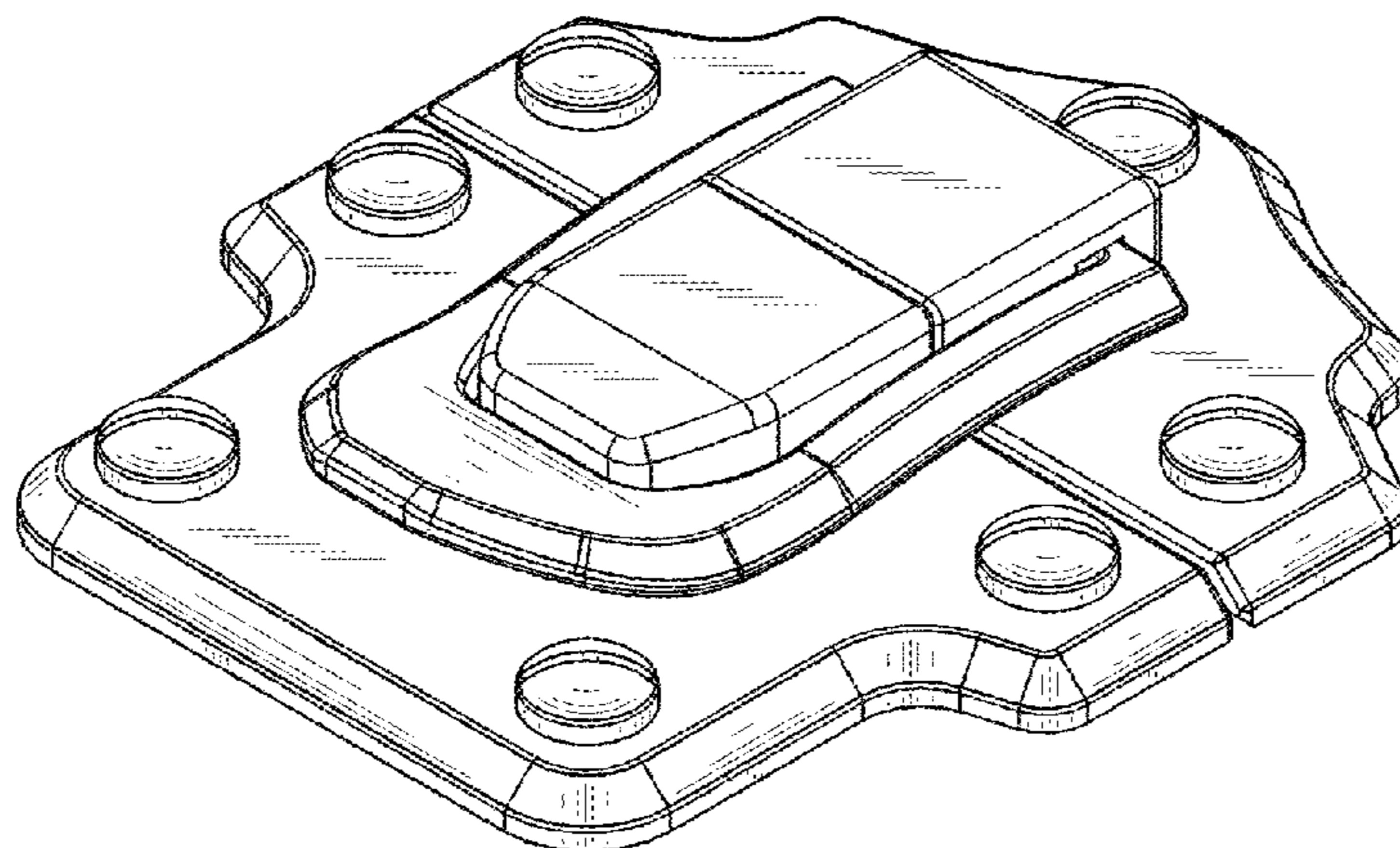
FIG. 4 is a right side elevational view of FIG. 1;

FIG. 5 is a rear elevational view of FIG. 1;

FIG. 6 is front elevational view of FIG. 1; and,

FIG. 7 is a bottom view of FIG. 1.

1 Claim, 5 Drawing Sheets



(56)

References Cited

U.S. PATENT DOCUMENTS

1,652,676 A * 12/1927 Komenak E05C 19/14
70/76
D77,264 S * 12/1928 Stone D8/336

OTHER PUBLICATIONS

Hardware Tree, "Home » Antique Trunk Hardware and Steamer Trunk Parts » Locks and Draw Bolts for Trunks", Accessed Oct. 17, 2018. (<https://www.hardwaretree.com/products.php?cat=Locks+and+Draw+Bolts+for+Trunks>) (Year: 2018).*

* cited by examiner

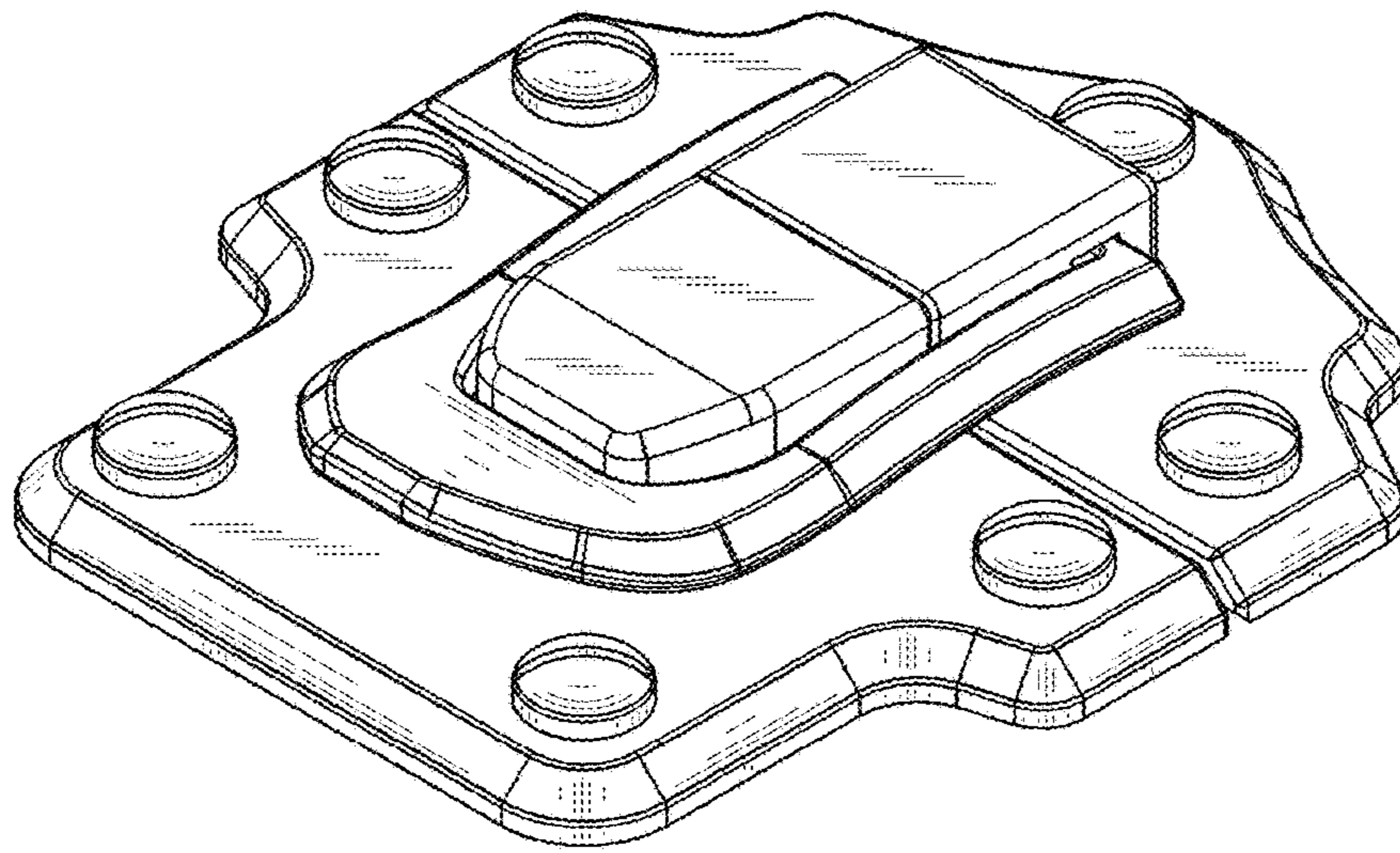


FIG. 1

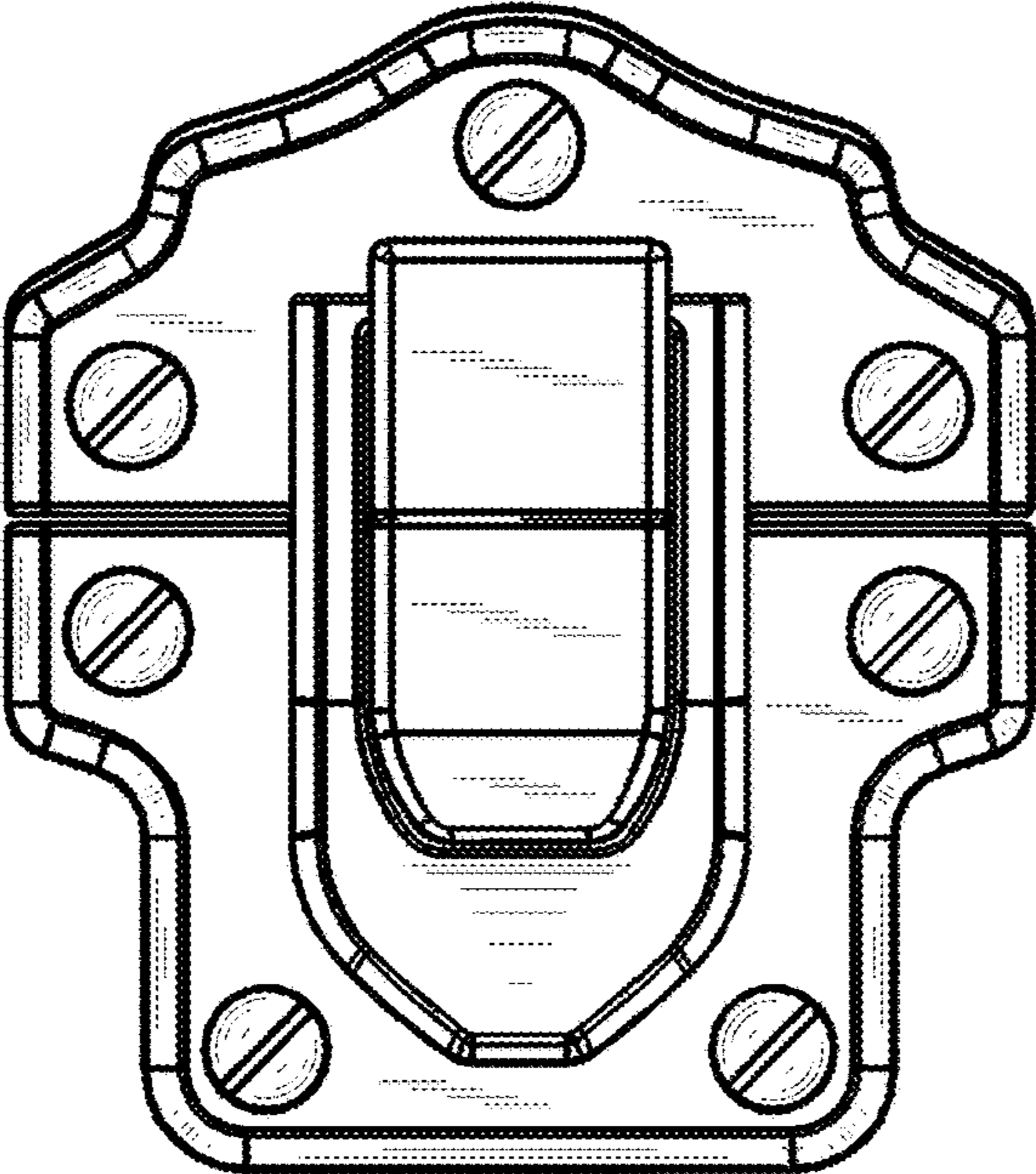


FIG. 2

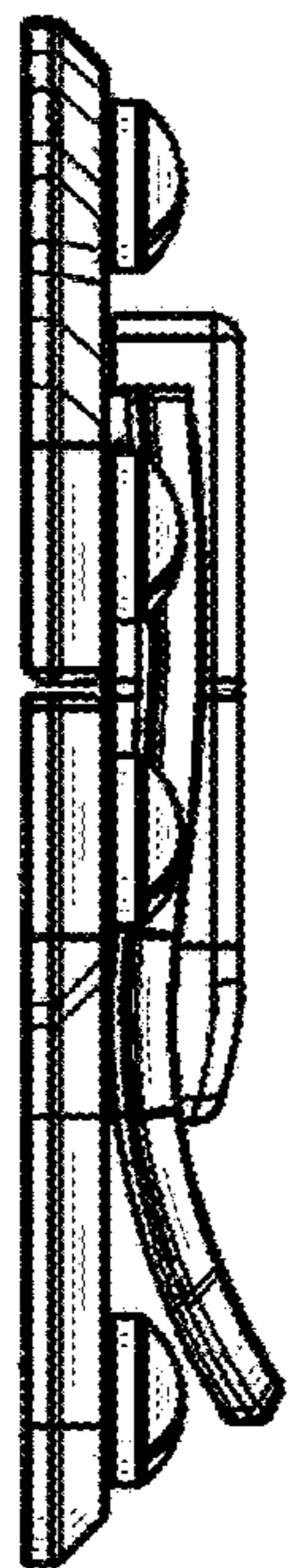


FIG. 3

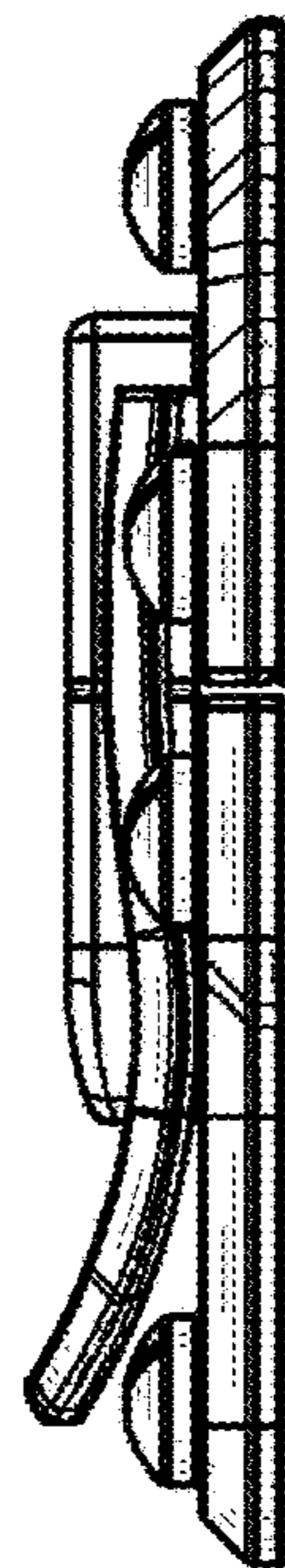


FIG. 4

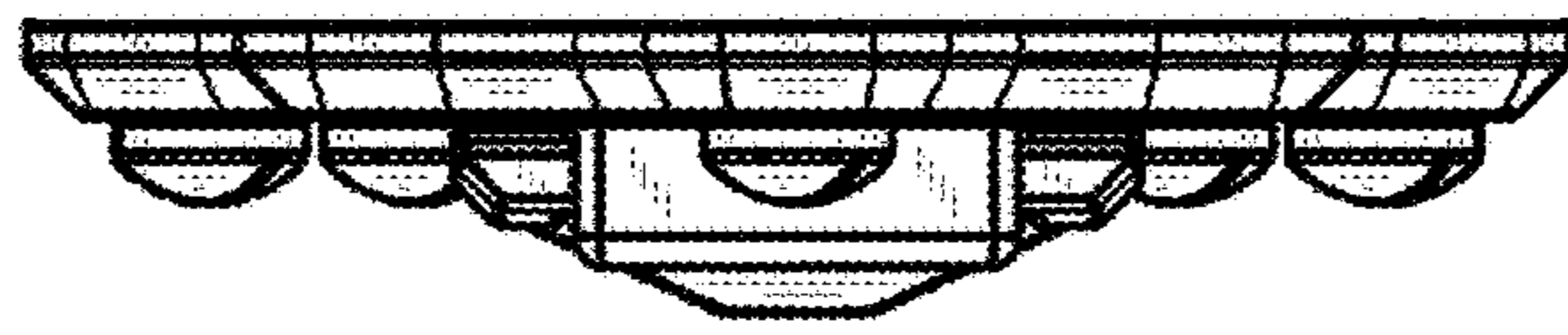


FIG. 5

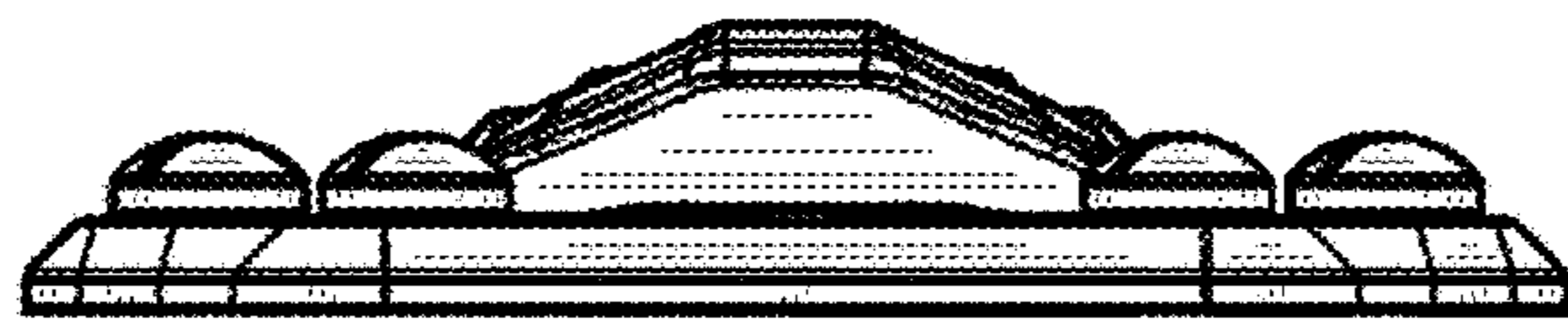


FIG. 6

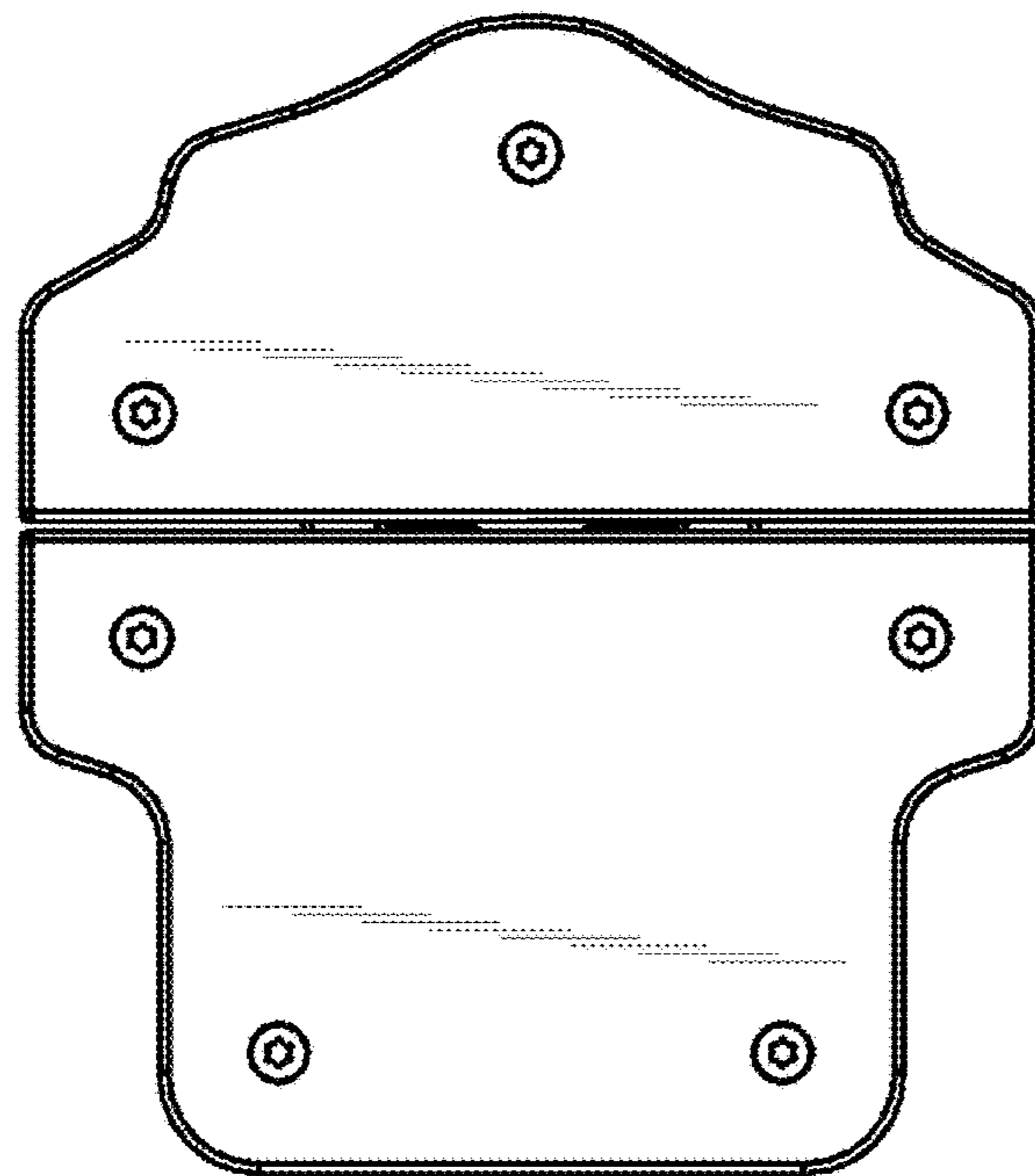


FIG. 7