



US00D838485S

(12) **United States Design Patent**
Galanti

(10) **Patent No.:** **US D838,485 S**

(45) **Date of Patent:** **** Jan. 22, 2019**

(54) **DECORATIVE ELEMENT FOR HANDBAG**

(71) Applicant: **J. Choo Limited**, London (GB)

(72) Inventor: **Carolina Galanti**, London (GB)

(73) Assignee: **J. Choo Limited**, London (GB)

(**) Term: **15 Years**

(21) Appl. No.: **29/619,193**

(22) Filed: **Sep. 27, 2017**

(30) **Foreign Application Priority Data**

Apr. 3, 2017 (EM) 003838283

(51) **LOC (11) Cl.** **03-01**

(52) **U.S. Cl.**
USPC **D3/318**

(58) **Field of Classification Search**
USPC D3/207, 232–233, 240–243, 245–246,
D3/318
CPC A45C 11/32; A45C 1/024; A45C 3/06;
A45C 13/26; A47G 29/10
See application file for complete search history.

(56) **References Cited**

U.S. PATENT DOCUMENTS

D107,719 S	12/1937	Felmann	
D257,572 S *	12/1980	Wefler	D3/208
D264,144 S	5/1982	Kamfe	
D271,255 S *	11/1983	Rousseau	D3/207
D332,625 S *	1/1993	LaPerche	D19/121
D381,803 S *	8/1997	Crego	D3/208
D440,399 S *	4/2001	DeRouen	D3/211
D478,719 S *	8/2003	Mercuri	D3/208
D481,202 S *	10/2003	Hardy	D3/207
D504,766 S *	5/2005	Cassinelli	D3/208
D551,851 S *	10/2007	Vincent	D3/208
D553,850 S *	10/2007	Trower	D3/208
D587,900 S *	3/2009	Tosa	D10/69
D588,359 S	3/2009	Gonzalez	

D607,204 S	1/2010	Gonzalez et al.	
D607,636 S *	1/2010	Chiu	D3/208
D646,888 S *	10/2011	Kieswetter	D3/208
D707,510 S *	6/2014	Bellaus	D3/207

(Continued)

OTHER PUBLICATIONS

Design U.S. Appl. No. 29/581,516, filed Oct. 19, 2016; First named inventor—Gerbelle.

(Continued)

Primary Examiner — Holly H Baynham

(74) *Attorney, Agent, or Firm* — Fross Zelnick Lehrman & Zissu, P.C.; Lawrence E. Apolzon, Esq.

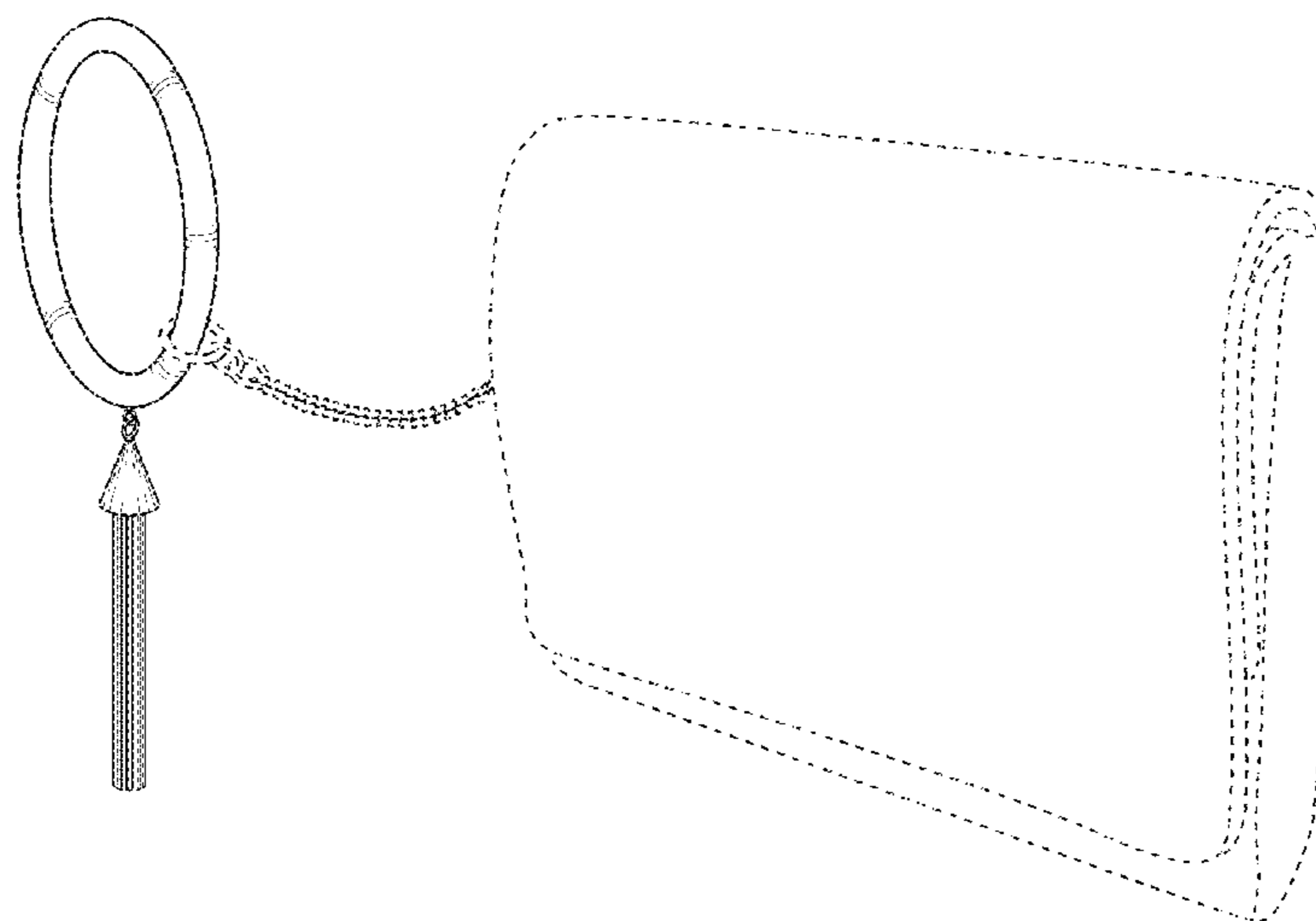
(57) **CLAIM**

The ornamental design for a decorative element for handbag, as shown and described.

DESCRIPTION

FIG. 1 is a front perspective view of a decorative element for handbag showing my new design;
FIG. 2 is a right side view thereof;
FIG. 3 is a left side view thereof;
FIG. 4 is a front view thereof;
FIG. 5 is a back view thereof;
FIG. 6 is a top view thereof;
FIG. 7 is a bottom view thereof;
FIG. 8 is a front perspective view of the decorative element shown in FIG. 1, shown in a different position relative to the handbag;
FIG. 9 is a right side view thereof;
FIG. 10 is a left side view thereof;
FIG. 11 is a front view thereof; and,
FIG. 12 is a back view thereof.
The broken line showing of portions of the body of the bag, chain, and ring in the drawings shows unclaimed subject matter.

1 Claim, 9 Drawing Sheets



(56)

References Cited

U.S. PATENT DOCUMENTS

D745,262 S * 12/2015 Stricklin D3/211
D782,822 S * 4/2017 Serrano D3/318
D790,212 S * 6/2017 Clores D3/208
D826,550 S * 8/2018 Filakousky D3/207

OTHER PUBLICATIONS

Jimmy Choo Limited—Solar S. Handbag (without stars) from
www.allhandbagfashion.com—Published on or before Nov. 9, 2011.

* cited by examiner

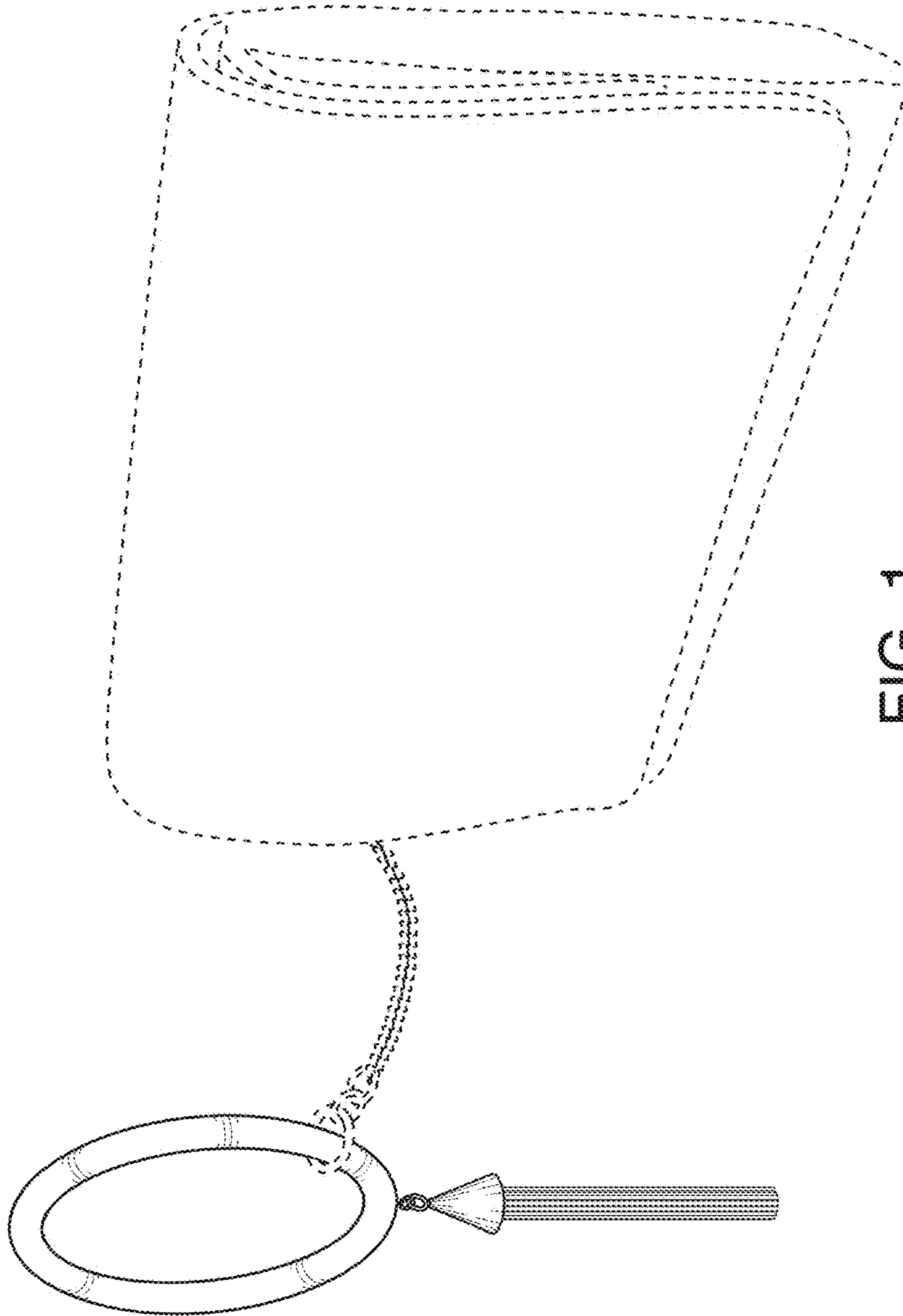


FIG. 1

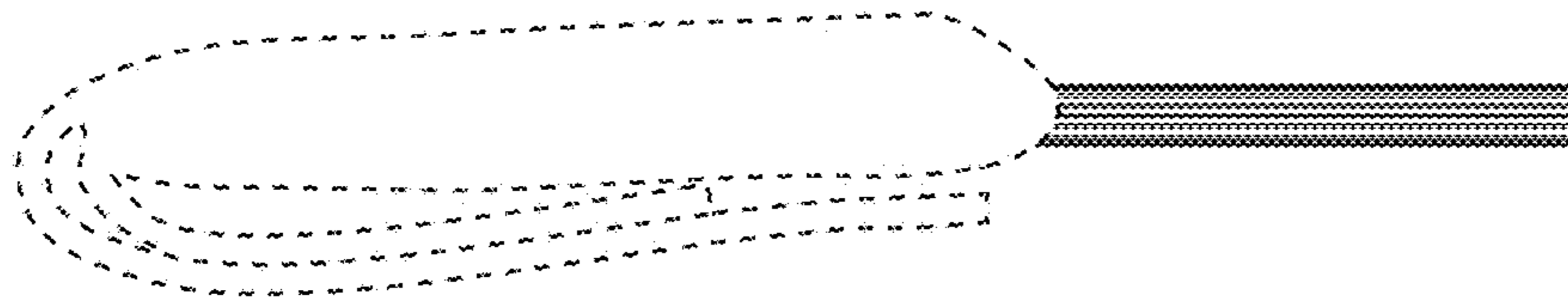


FIG. 3

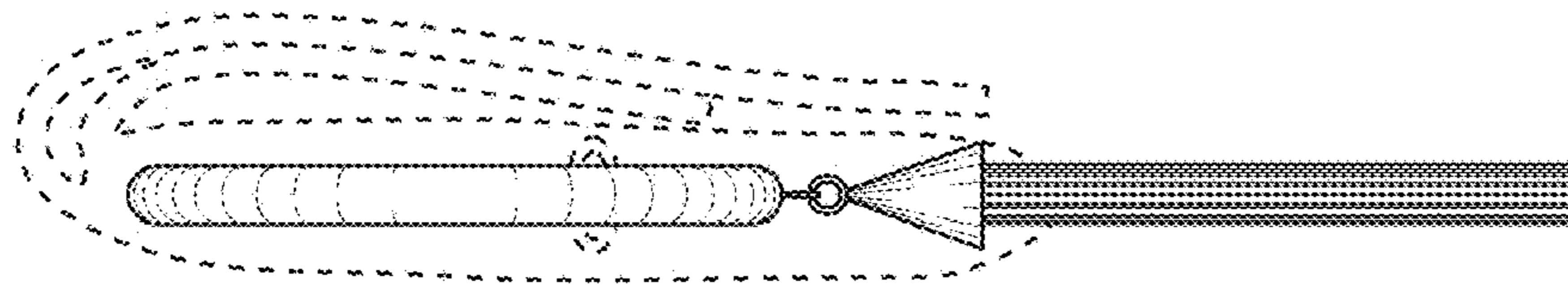


FIG. 2

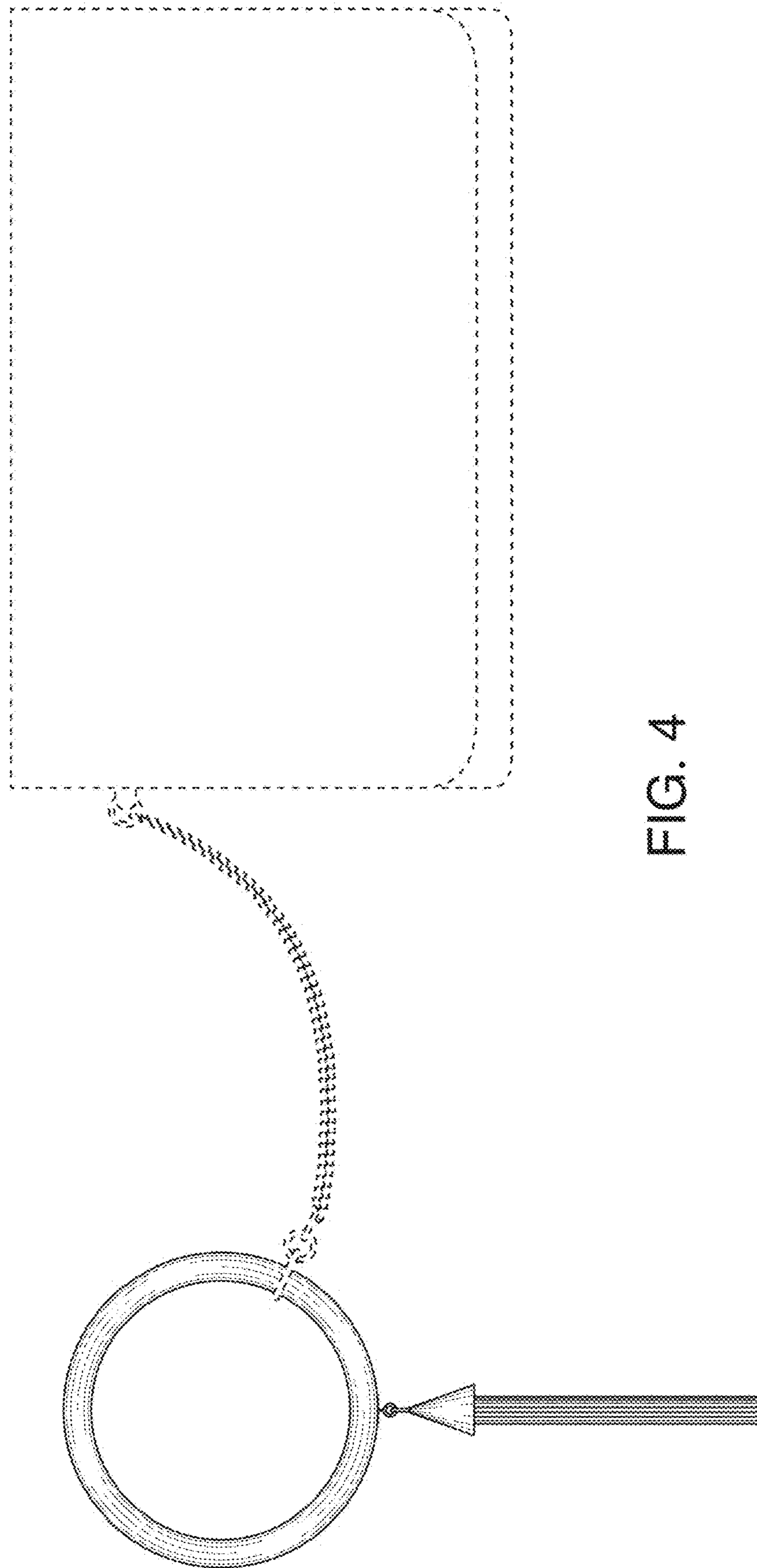


FIG. 4

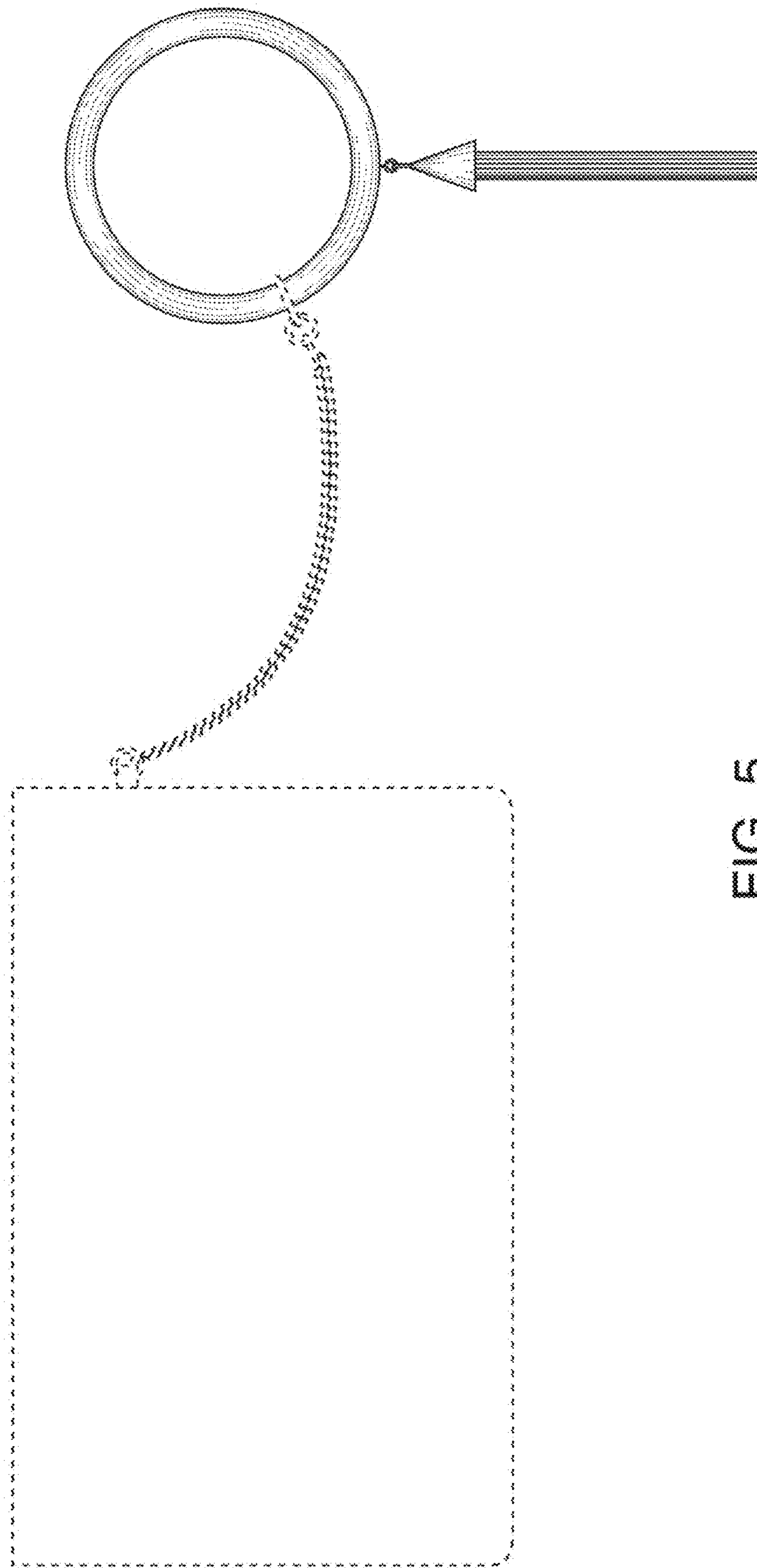


FIG. 5

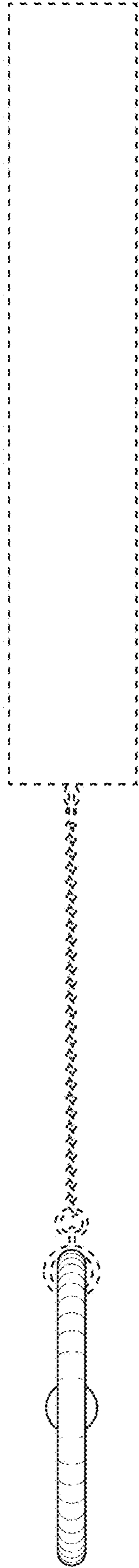


FIG. 6

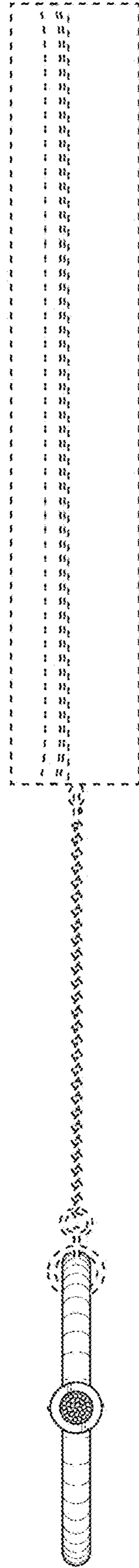


FIG. 7

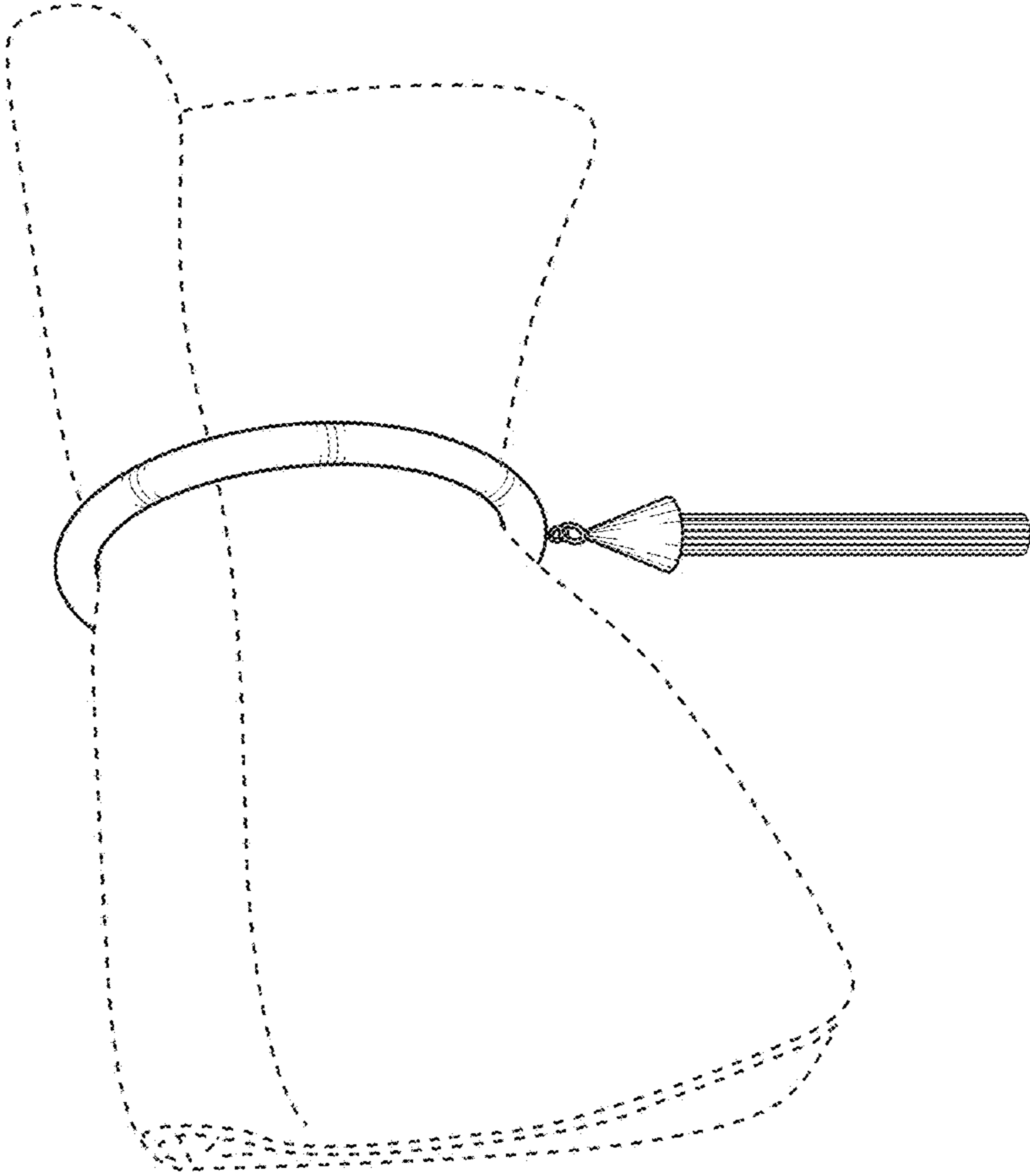


FIG. 8

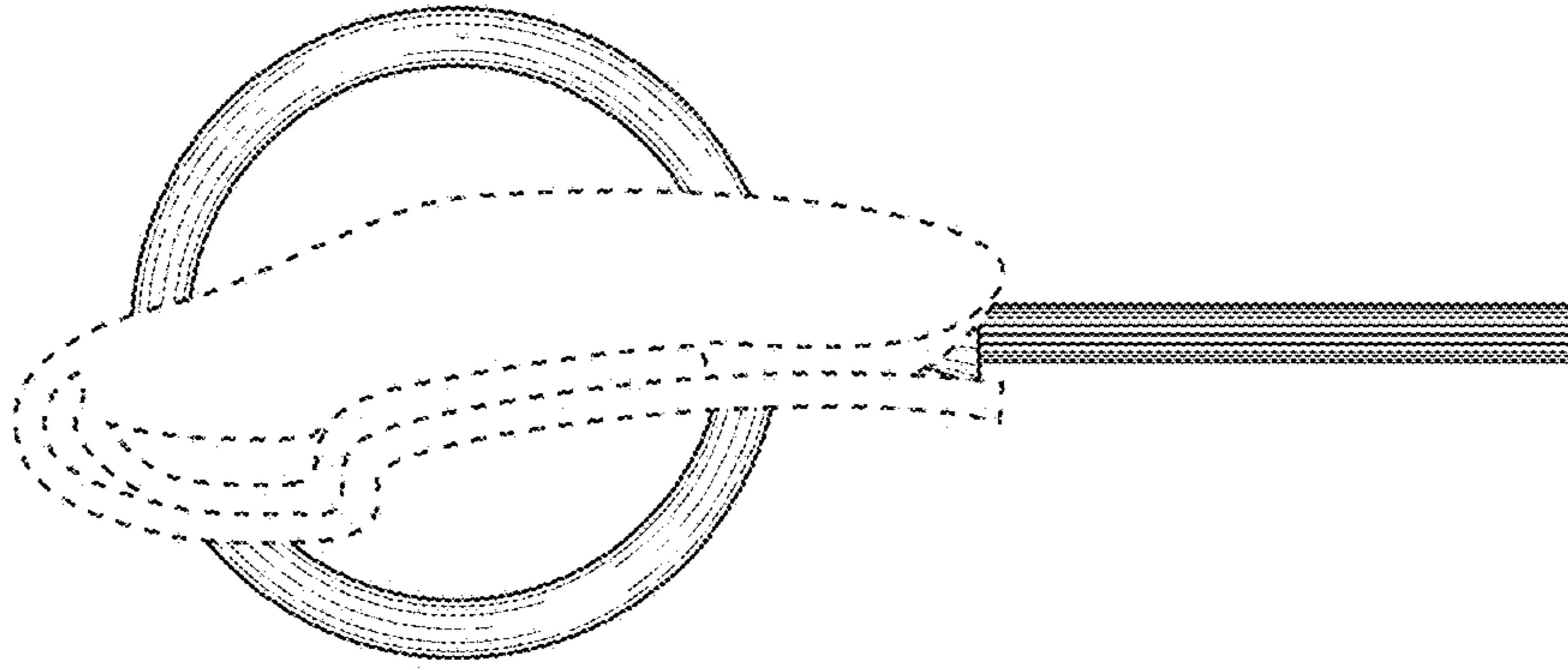


FIG. 10

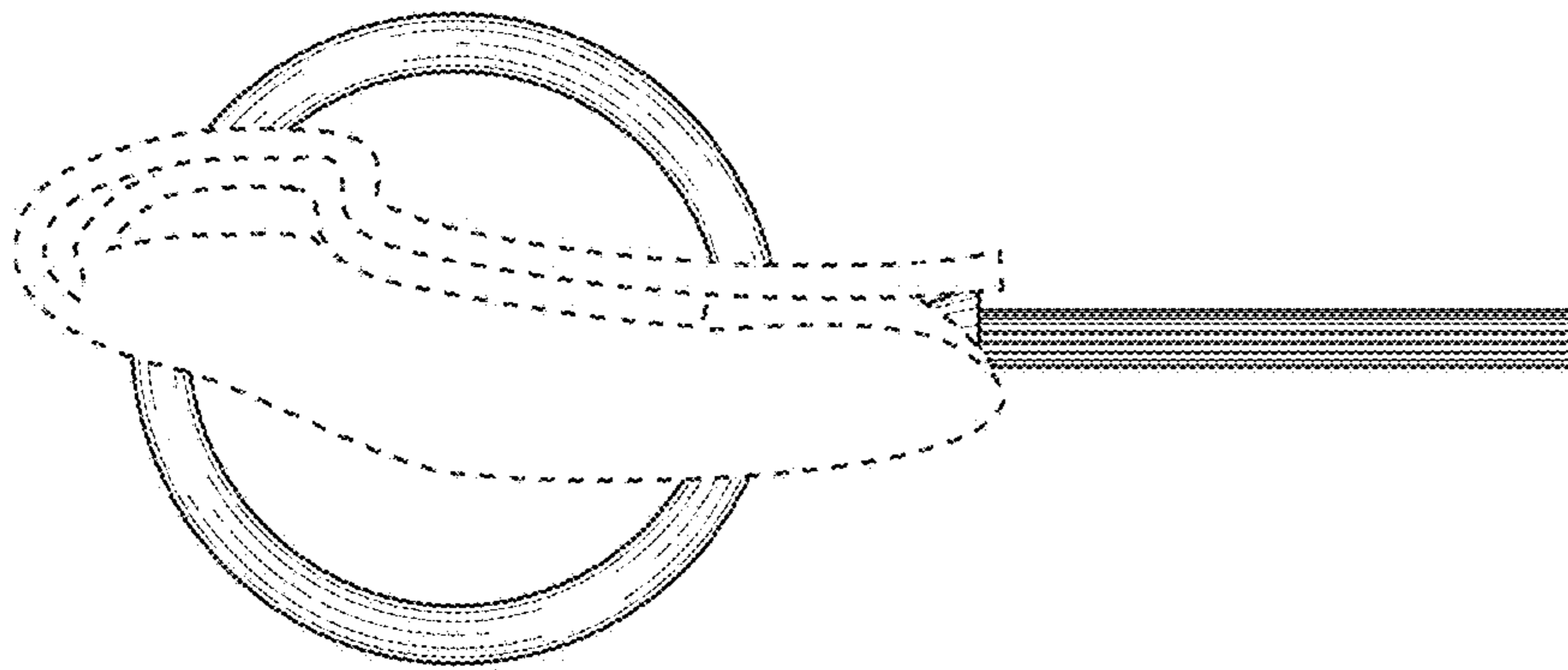


FIG. 9

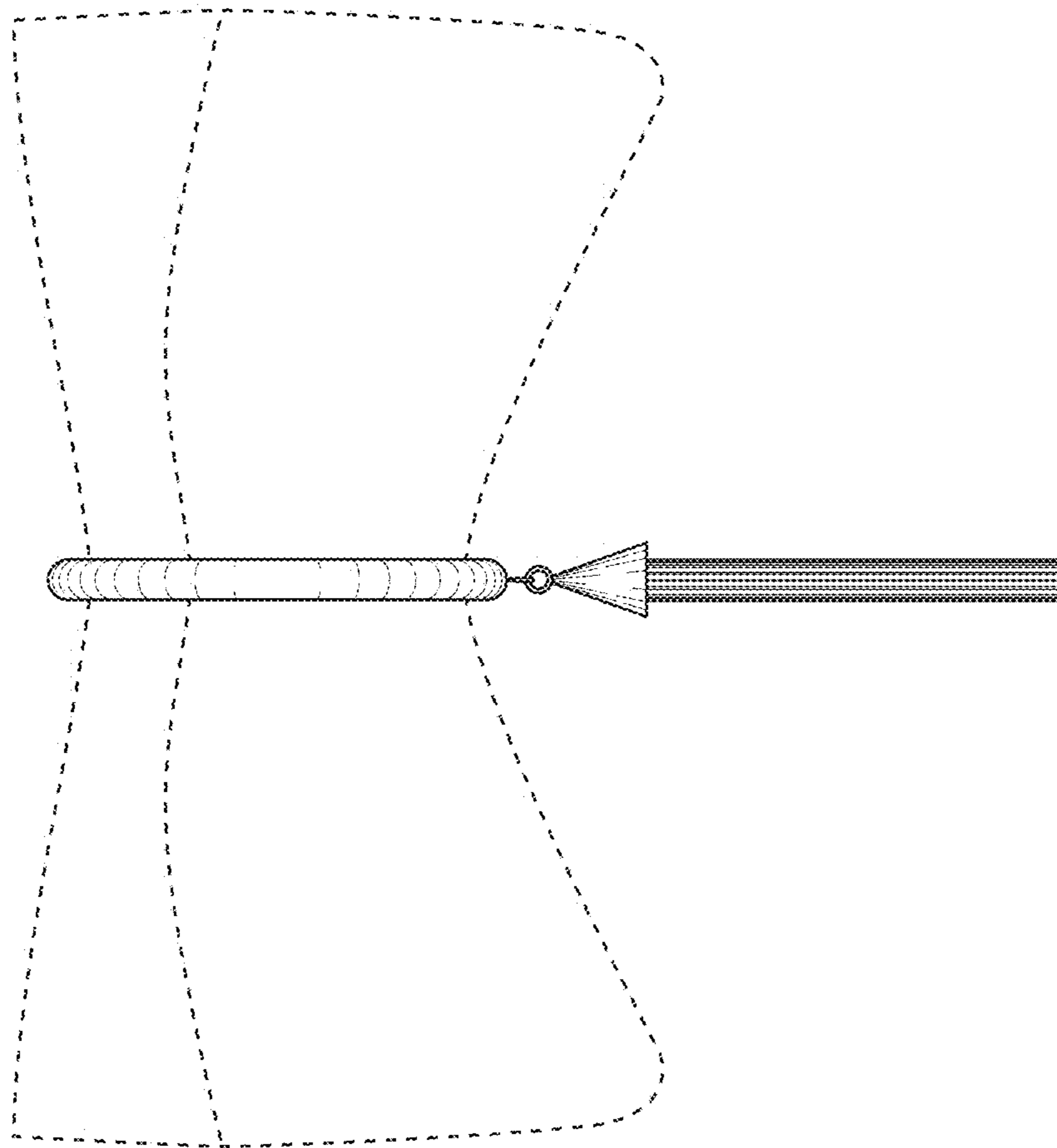


FIG. 11

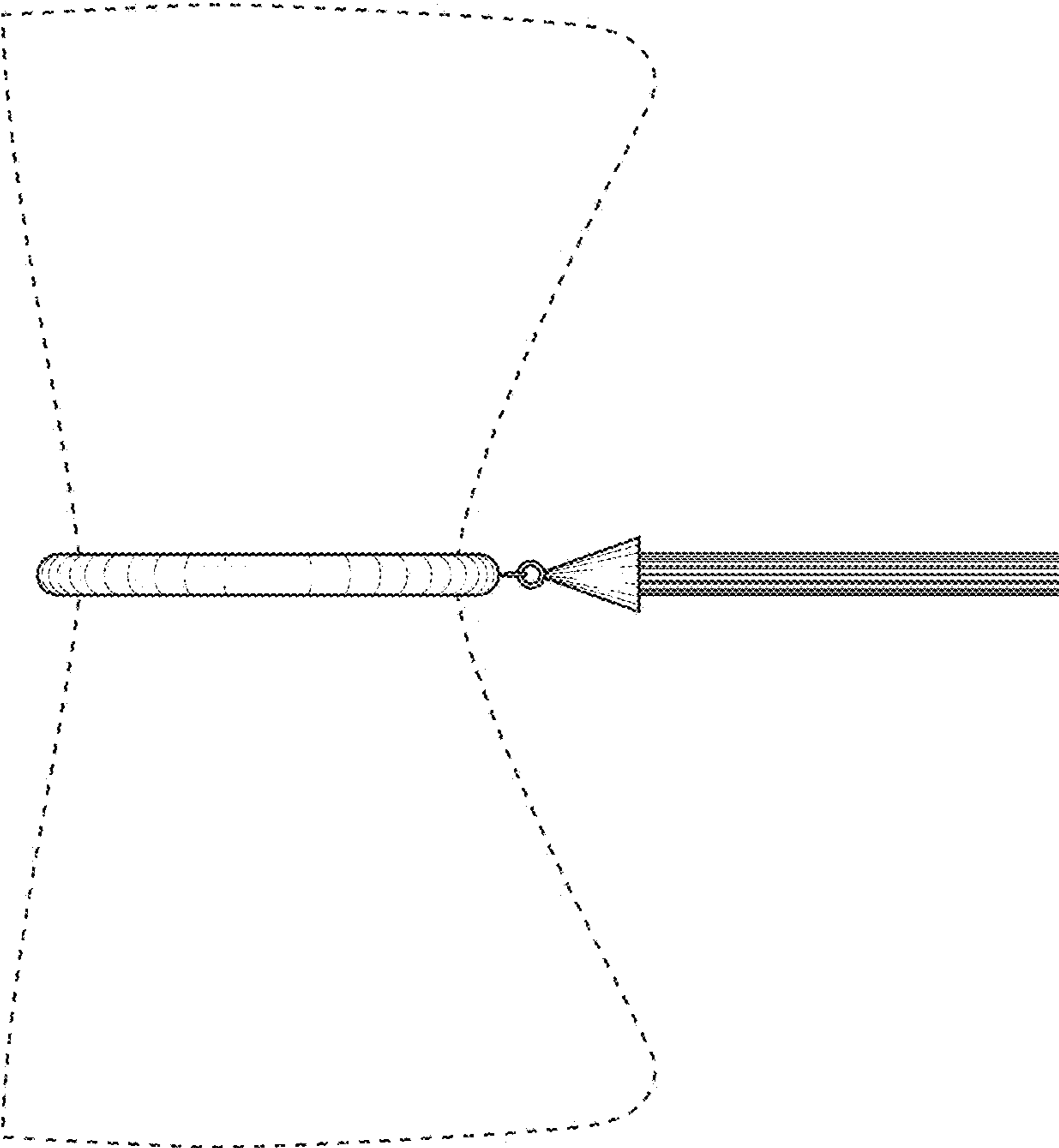


FIG. 12