



US00D838482S

(12) **United States Design Patent**
Pistauer

(10) **Patent No.:** **US D838,482 S**

(45) **Date of Patent:** **** Jan. 22, 2019**

(54) **MOBILE DESK ORGANIZER**

(71) Applicant: **Chrisitan Pistauer**, Vienna (AT)

(72) Inventor: **Chrisitan Pistauer**, Vienna (AT)

(**) Term: **15 Years**

(21) Appl. No.: **29/611,444**

(22) Filed: **Jul. 21, 2017**

(30) **Foreign Application Priority Data**

Jan. 22, 2017 (EM) 003693001

(51) **LOC (11) Cl.** **03-01**

(52) **U.S. Cl.**
USPC **D3/304**

(58) **Field of Classification Search**
USPC D6/672, 675; D7/601-602; D3/272,
D3/304, 307, 308, 309, 312, 313, 314,
D3/315
CPC . B65D 1/22; B65D 1/24; B65D 11/20; B65D
71/0003; B65D 1/243
See application file for complete search history.

(56) **References Cited**

U.S. PATENT DOCUMENTS

- 2,728,485 A * 12/1955 Howard B65D 71/0014
206/200
- 3,063,595 A * 11/1962 Smith B65D 11/1853
206/173
- 3,547,339 A * 12/1970 Bruce B65D 5/46184
229/117.09
- D252,479 S * 7/1979 Goeden D3/306
- D328,161 S * 7/1992 Welch D22/112
- D346,682 S * 5/1994 Trovato D3/308
- 5,848,695 A * 12/1998 Harris B65D 71/0014
206/427

- D484,011 S * 12/2003 Strobel D3/309
- D493,304 S * 7/2004 Shaw D6/683.1
- 7,575,117 B2 * 8/2009 Redzisz A45C 7/0036
206/373
- D635,769 S * 4/2011 Sosnovsky D3/304
- D649,786 S * 12/2011 Lipfert D3/308
- D688,589 S * 8/2013 Hung D11/148
- D690,109 S * 9/2013 Shupp D3/309
- D714,059 S * 9/2014 Blackwell D3/304
- D757,469 S * 5/2016 Jensen D6/683.1
- D778,611 S * 2/2017 Shpitzer D3/304
- D783,287 S * 4/2017 Swartzel D3/305
- D789,690 S * 6/2017 Foley D3/310
- D812,377 S * 3/2018 Shpitzer D3/304

* cited by examiner

Primary Examiner — Kelley A Donnelly

(74) *Attorney, Agent, or Firm* — Studebaker & Brackett
PC

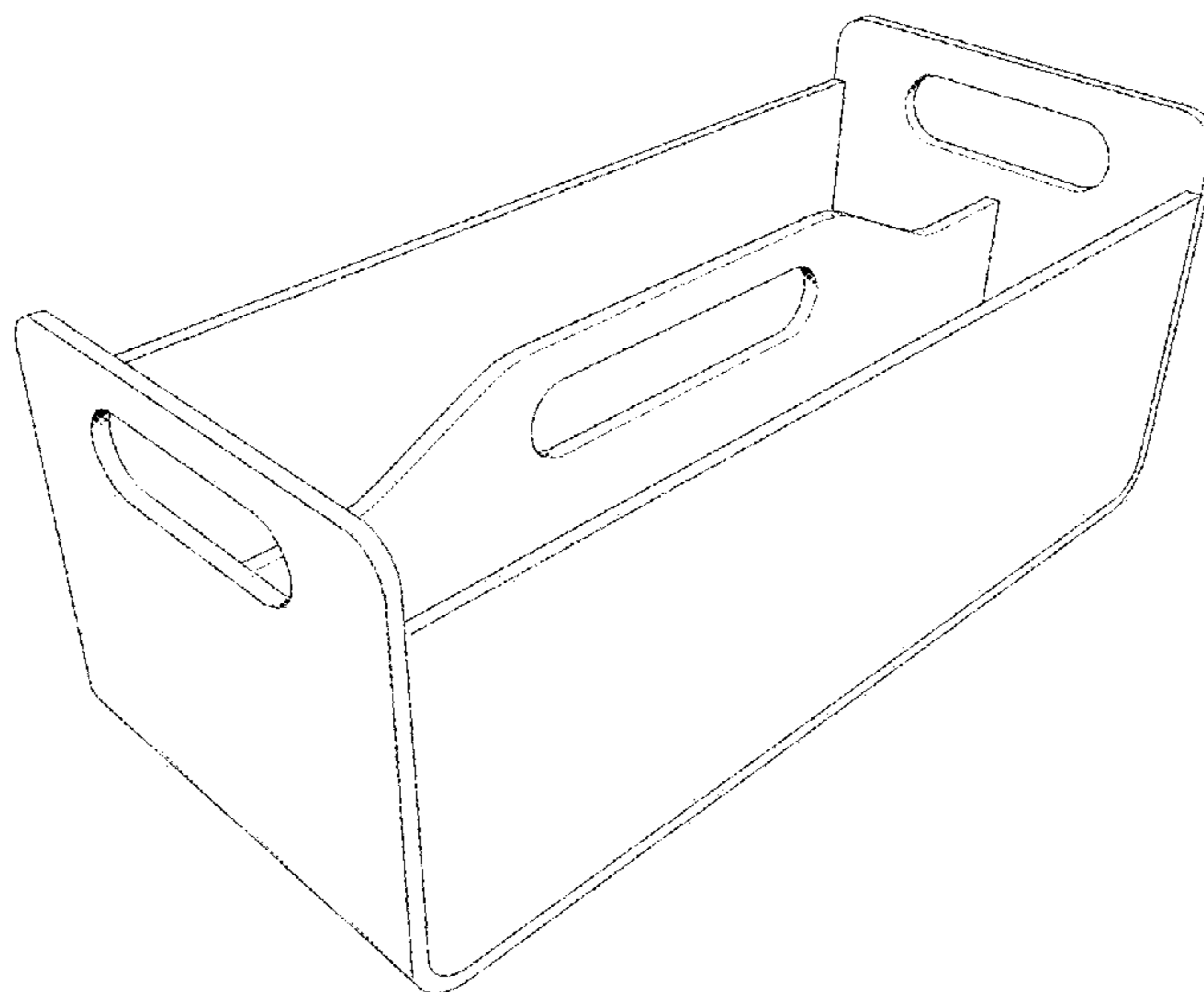
(57) **CLAIM**

The ornamental design for a mobile desk organizer, as shown and described.

DESCRIPTION

FIG. 1 is a perspective view showing my new design for a mobile desk organizer,
 FIG. 2 is an alternative perspective view thereof,
 FIG. 3 is an alternative perspective view thereof,
 FIG. 4 is a front side view thereof, the rear view being a mirror image thereof,
 FIG. 5 is a longitudinal section view thereof,
 FIG. 6 is a bottom view thereof,
 FIG. 7 is a left side view thereof, the right side view being a mirror image thereof,
 FIG. 8 is a cross section view thereof; and,
 FIG. 9 is a top view thereof, the figure including sectional lines representative of the views in FIGS. 5 and 8.

1 Claim, 9 Drawing Sheets



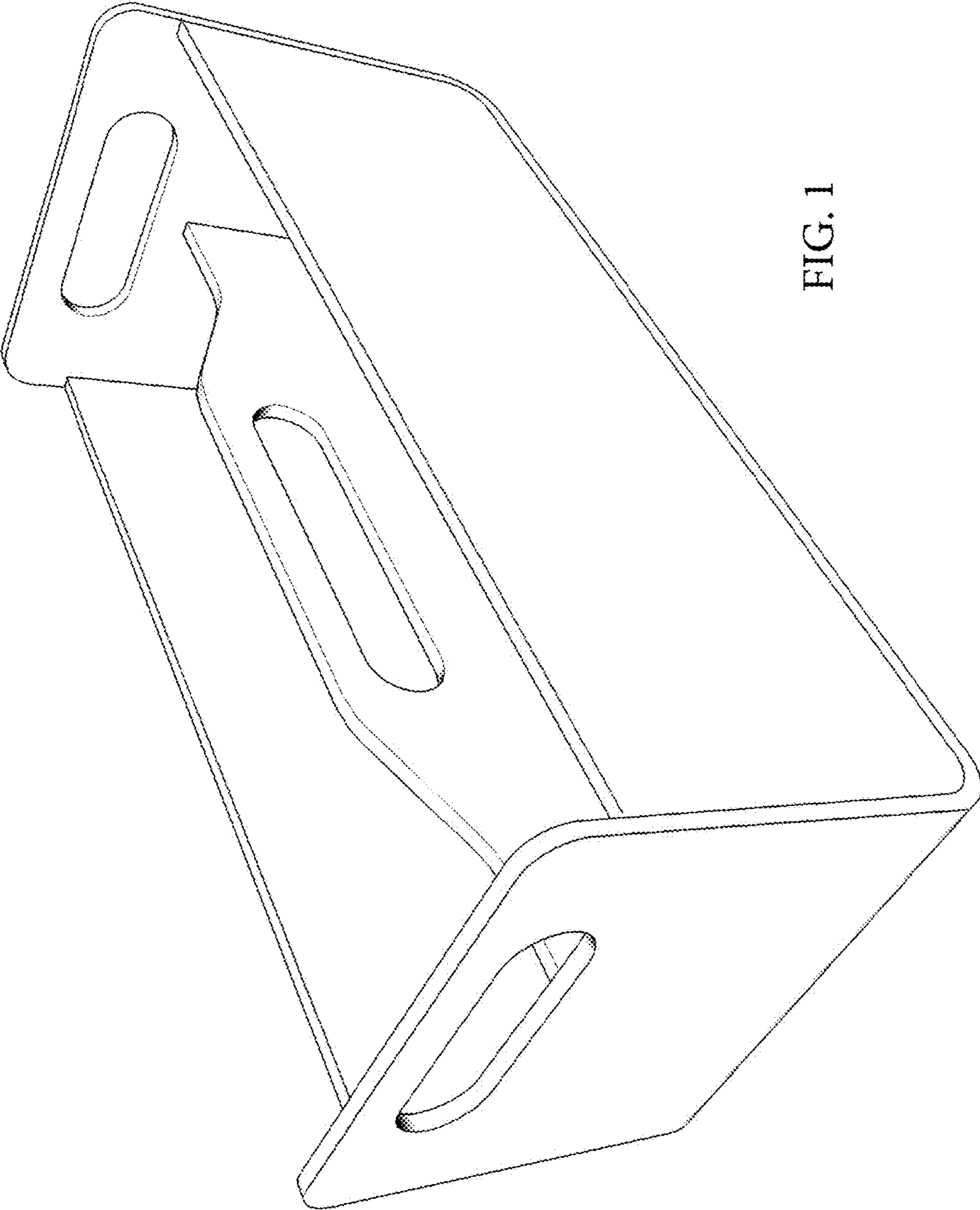


FIG. 1

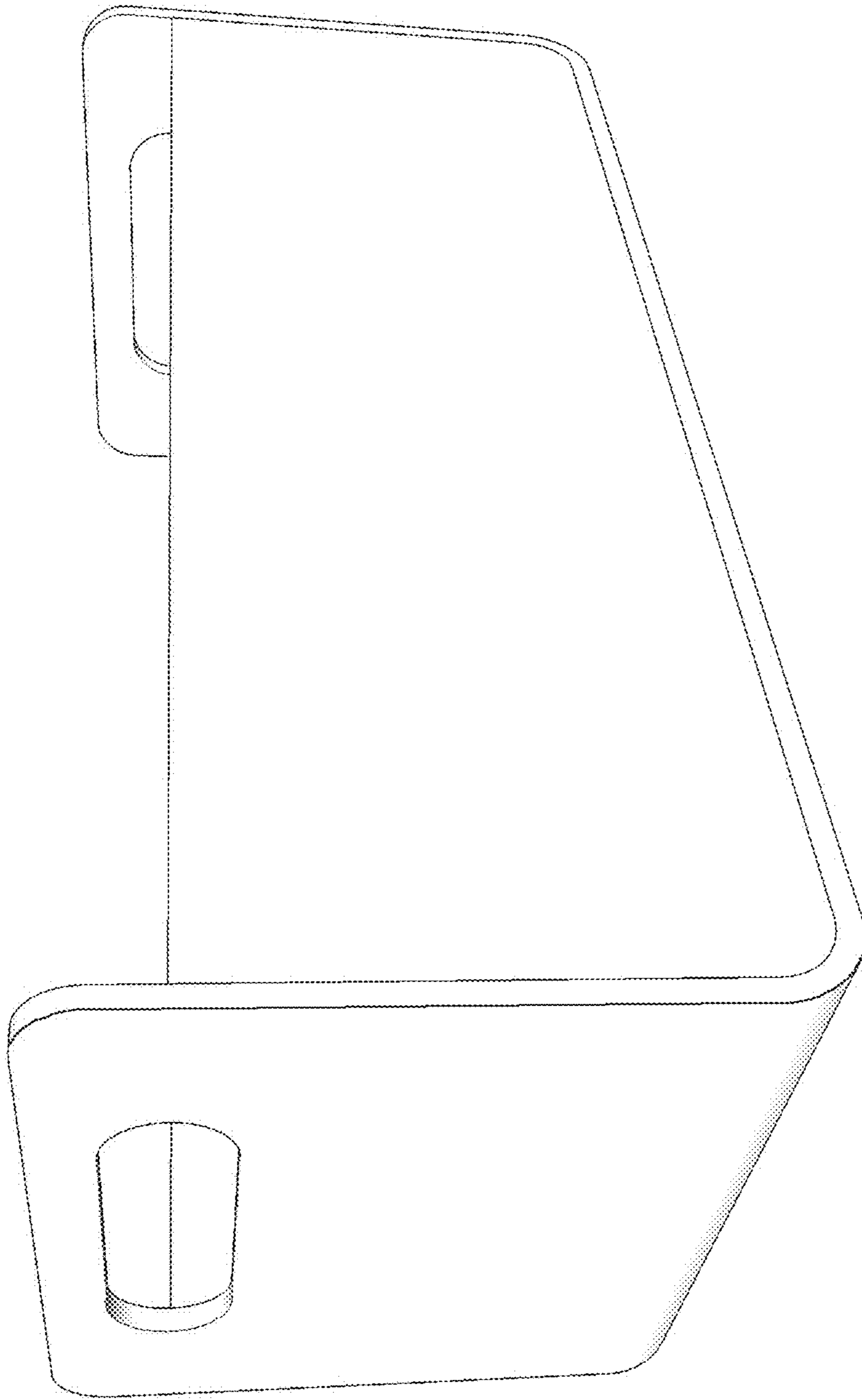


FIG. 2

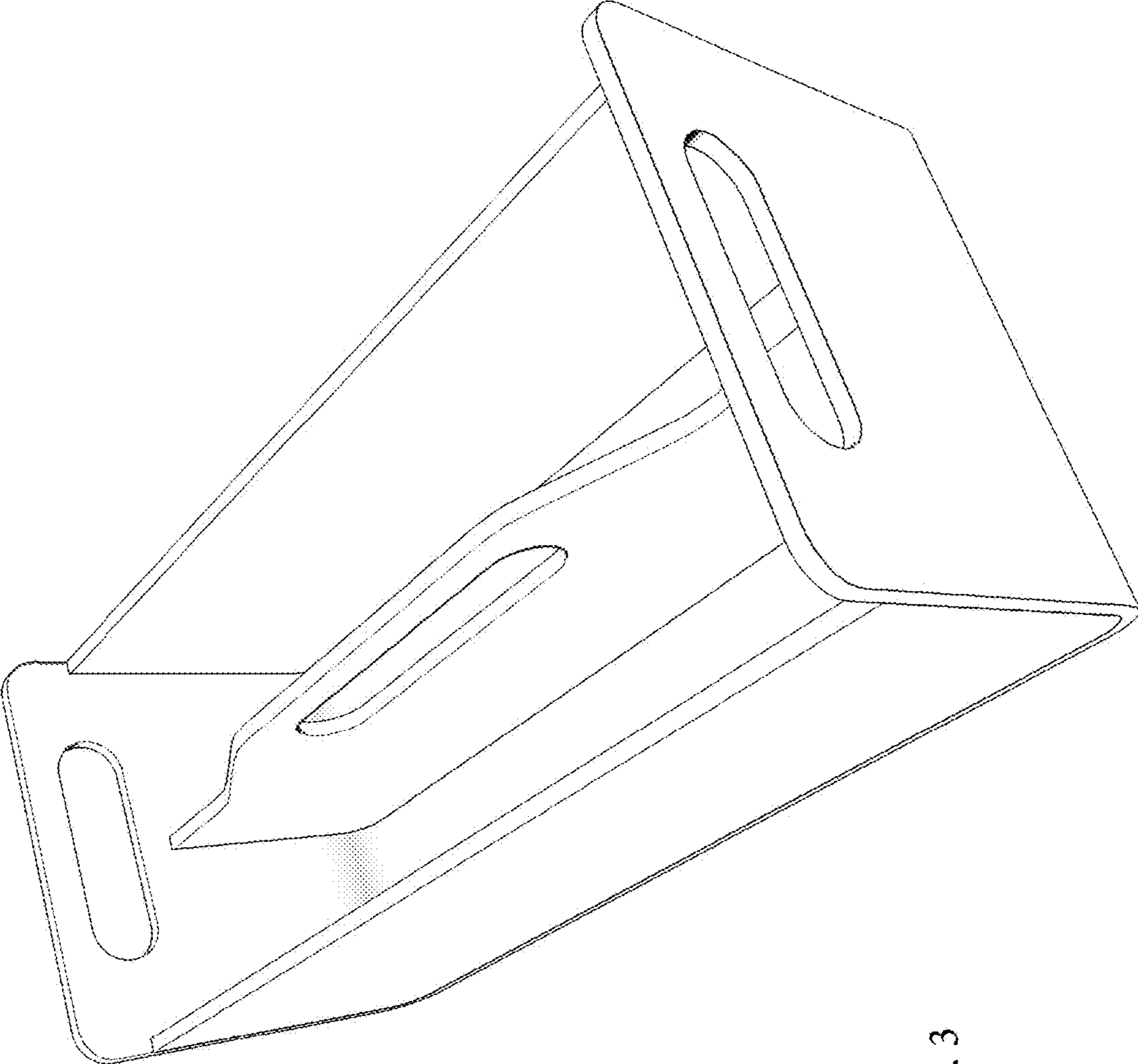


FIG. 3

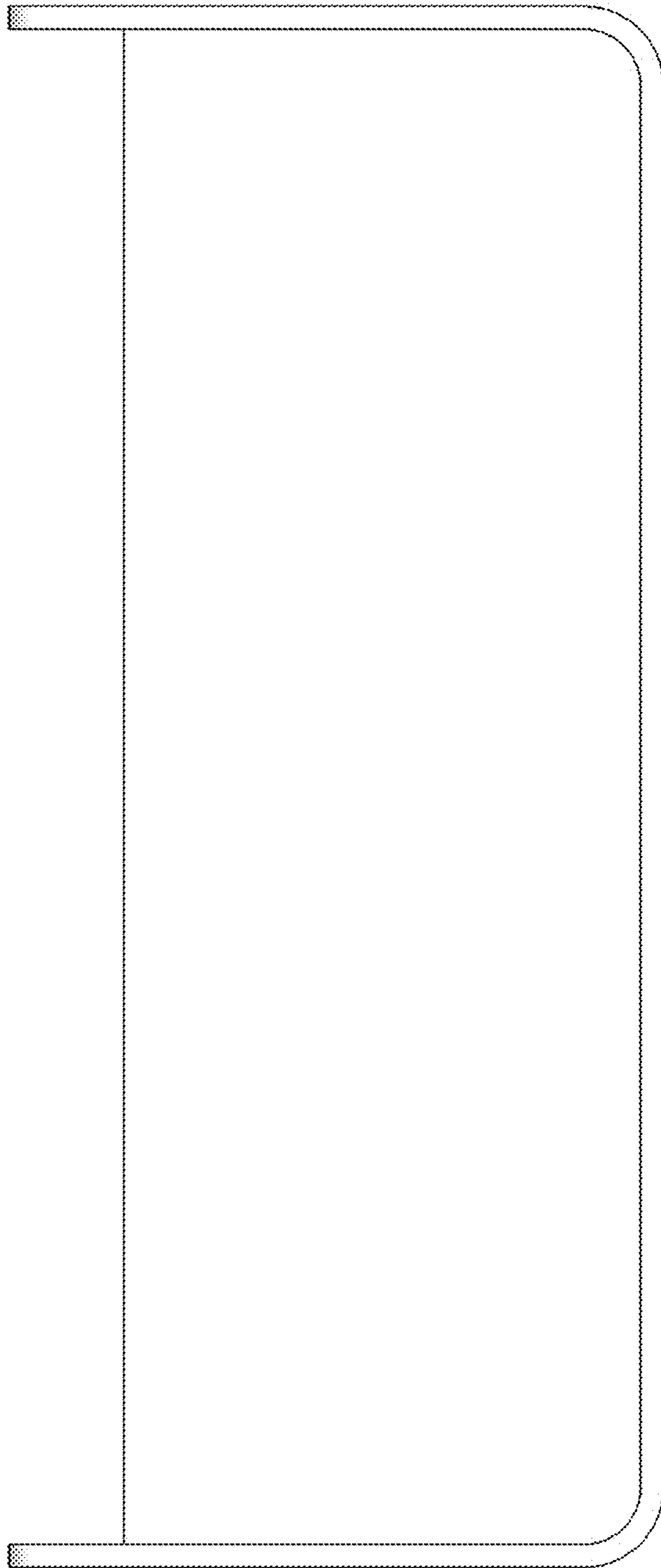


FIG. 4

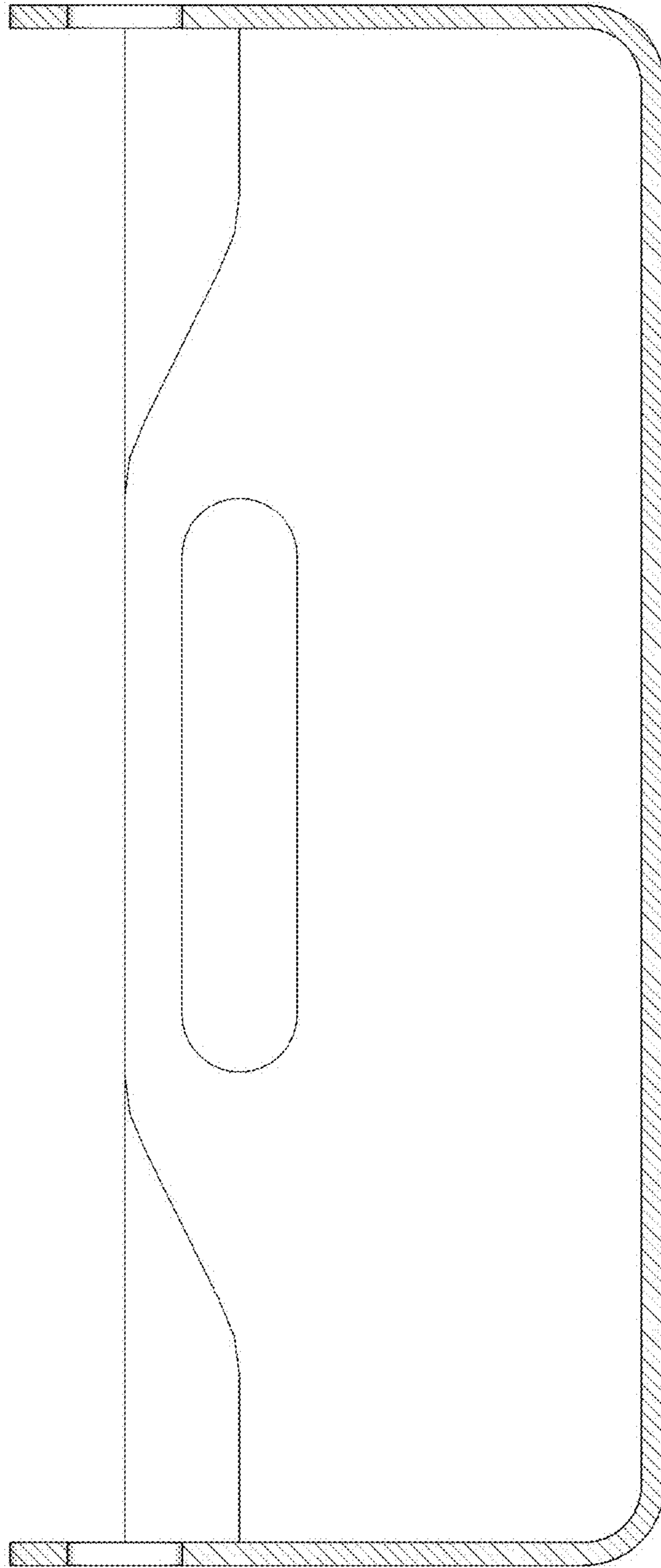


FIG. 5

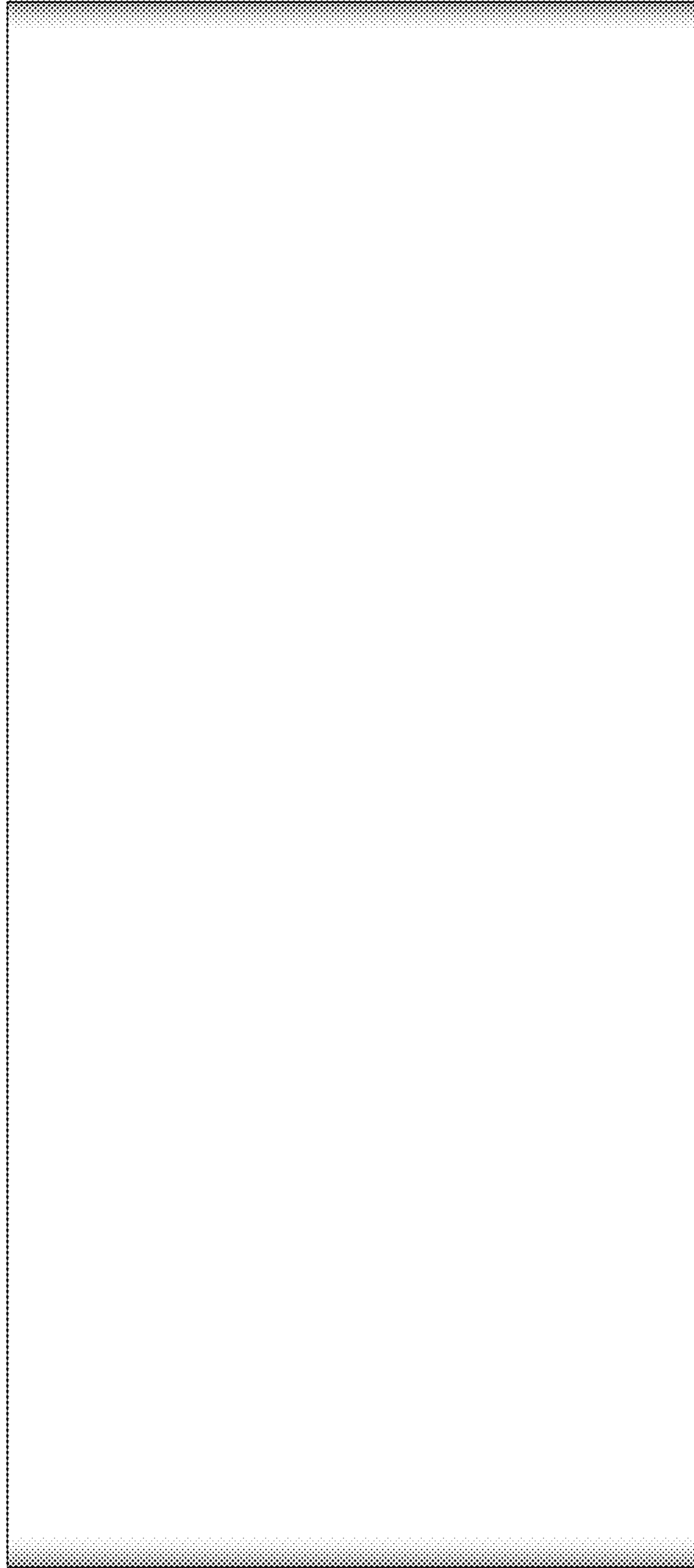


FIG. 6

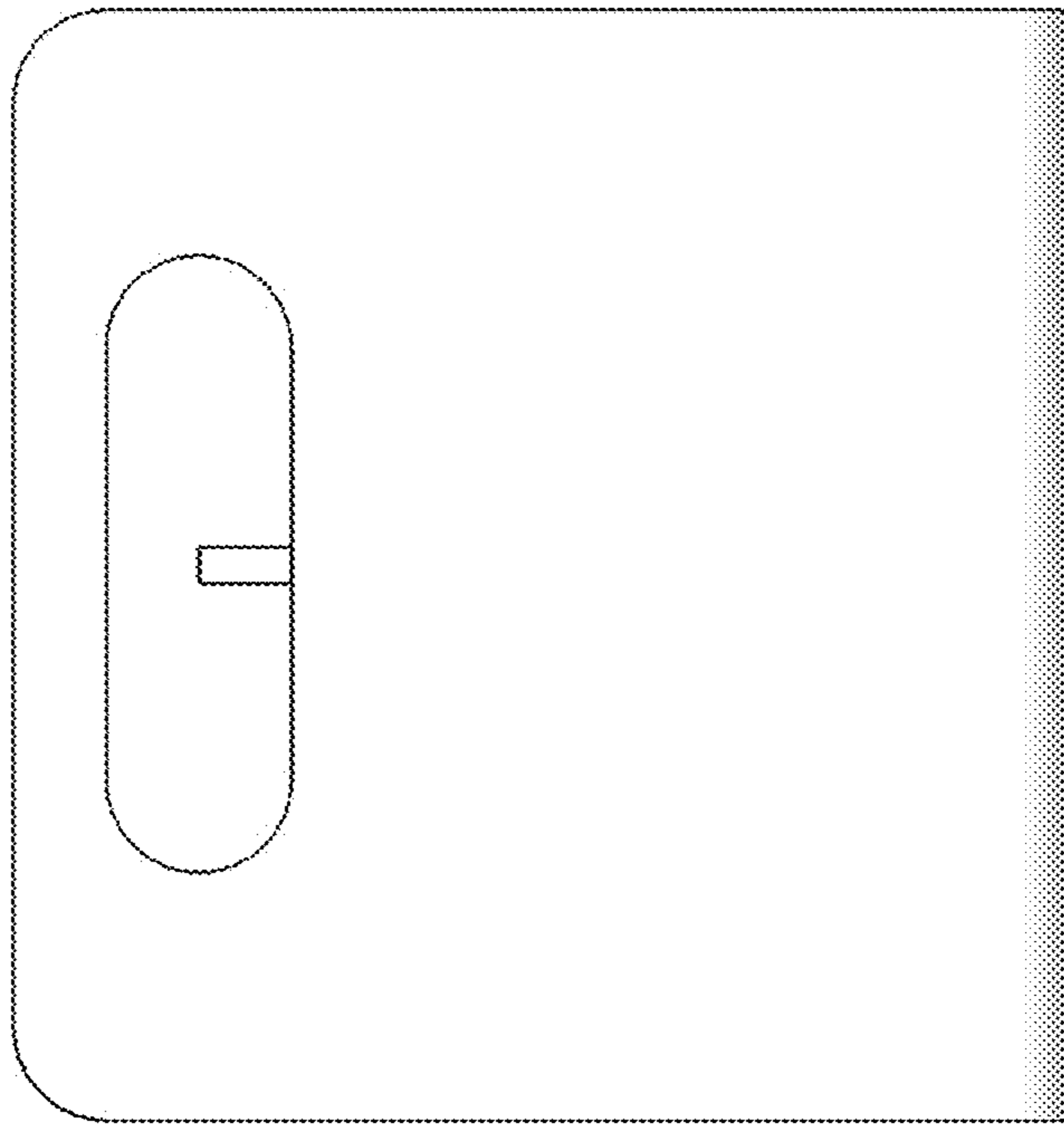


FIG. 7

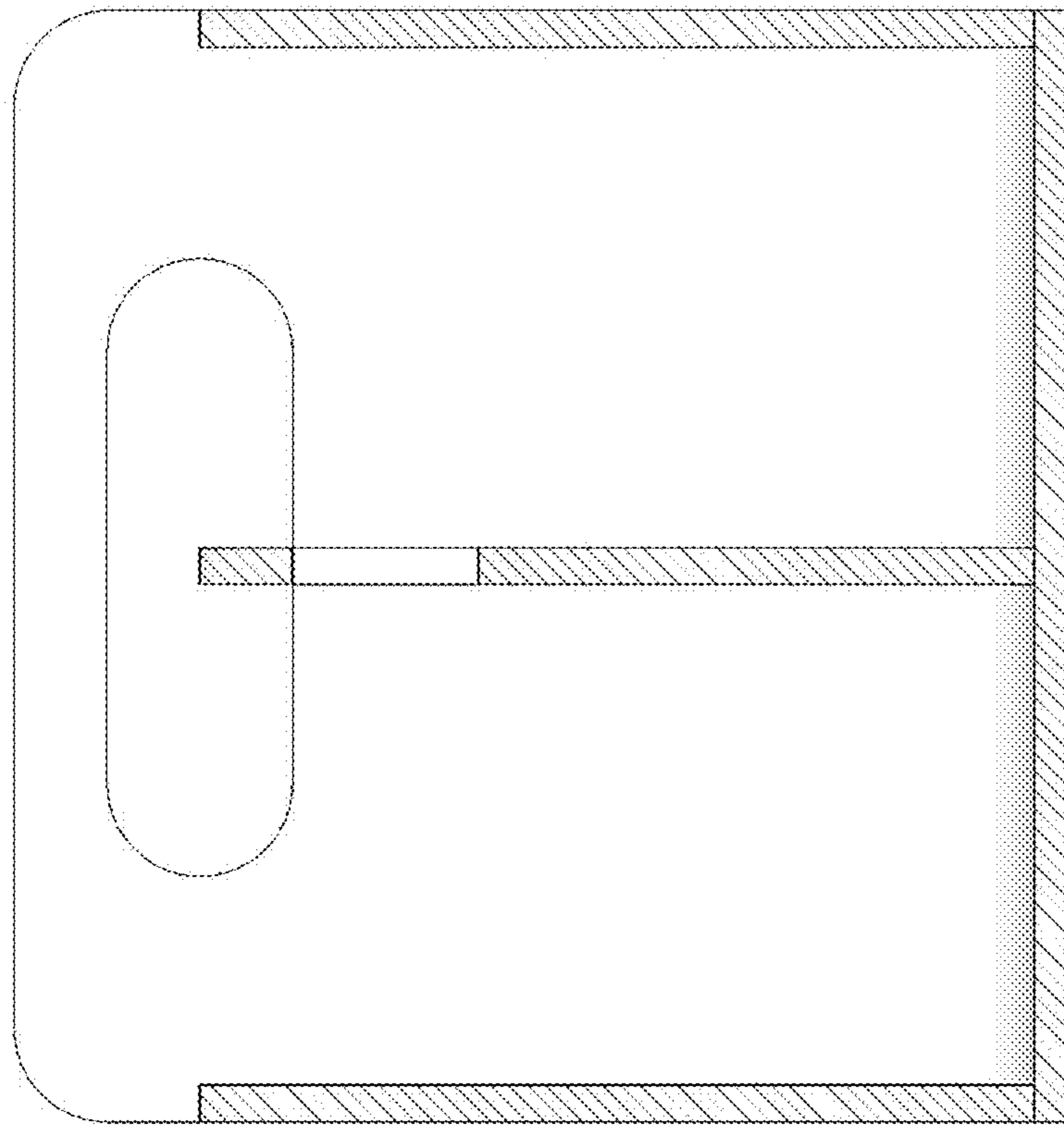


FIG. 8

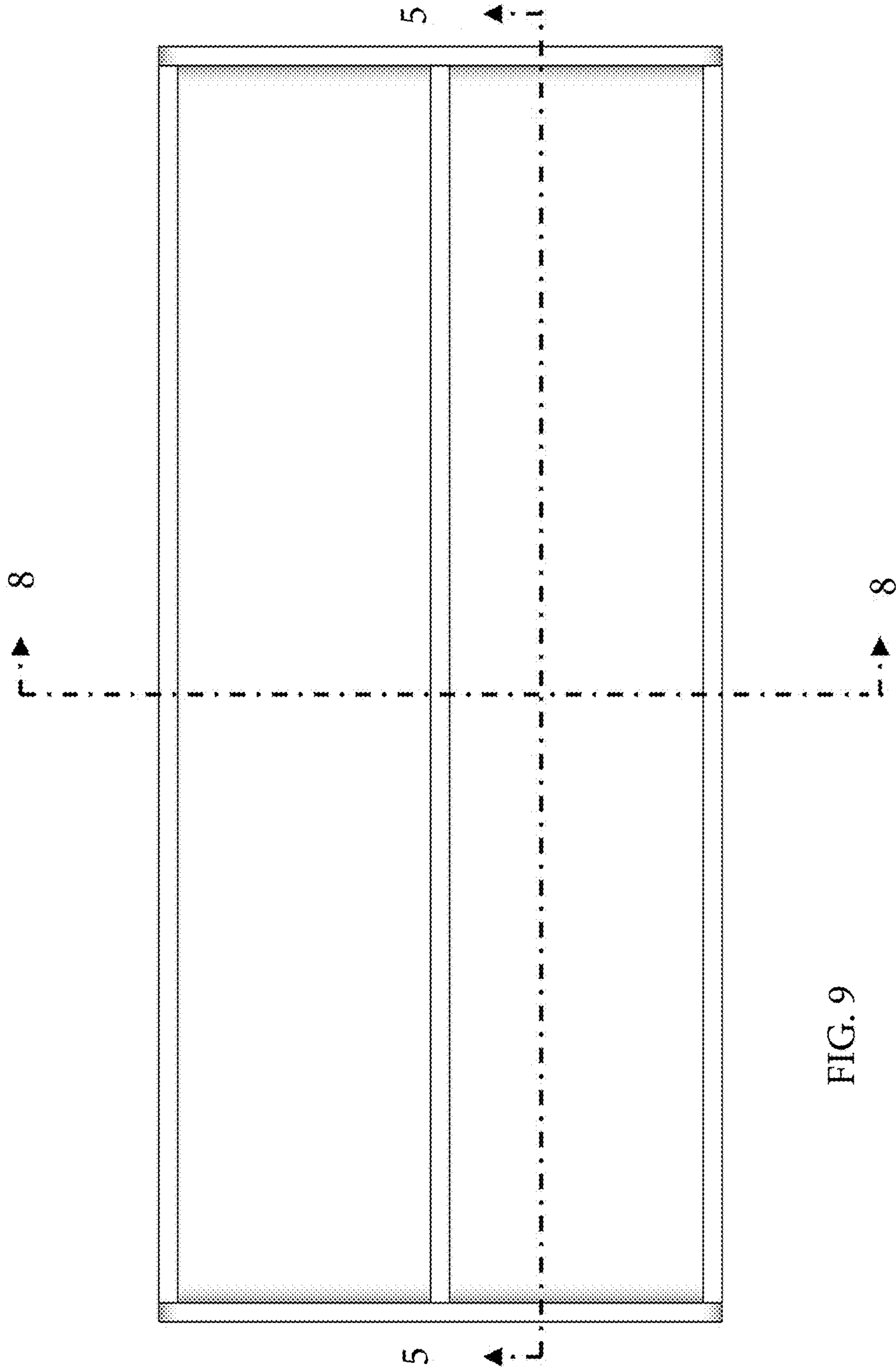


FIG. 9