



US00D838476S

(12) **United States Design Patent** (10) **Patent No.:** **US D838,476 S**
Mummery et al. (45) **Date of Patent:** **** Jan. 22, 2019**

(54) **GOLF CLUB CLEANING BRUSH COVER**

(71) Applicant: **Bearcreek Imports, LLC**, Austin, TX (US)

(72) Inventors: **John Mummery**, Dallas, TX (US);
Jonathan Elder, Allen, TX (US)

(73) Assignee: **Bearcreek Imports, LLC**, Austin, TX (US)

(**) Term: **15 Years**

(21) Appl. No.: **29/616,291**

(22) Filed: **Sep. 5, 2017**

(51) **LOC (11) Cl.** **03-01**

(52) **U.S. Cl.**
USPC **D3/254**

(58) **Field of Classification Search**
USPC D3/201, 215, 216, 217, 219, 221, 222,
D3/223, 224, 225, 226, 227, 230, 232,
D3/239, 254, 255, 256, 257, 258, 259,
D3/260, 261, 262, 263, 265, 271.9,
D3/271.11, 271.12, 273, 303, 274, 276,
D3/282, 283, 284, 285, 286, 287, 288,
D3/290, 291, 293, 294, 295; D4/199;
206/361, 362.2, 15.2, 362.4; 15/247;
D6/534; D28/44; D24/217
CPC A45C 7/009; A45C 7/0036; A45C 7/0059;
A45C 2003/008; A46B 17/02; A46B
17/04

See application file for complete search history.

(56) **References Cited**

U.S. PATENT DOCUMENTS

D320,123 S * 9/1991 Wolf D6/527
D379,280 S * 5/1997 Butler D6/534
D435,964 S * 1/2001 Lentz D3/201
D468,945 S * 1/2003 Dretzka D6/534

D547,987 S * 8/2007 Yang D6/524
D561,574 S * 2/2008 Lown D8/395
D598,123 S * 8/2009 Steinhobel D24/217
D687,631 S * 8/2013 Arlie D3/254
D804,175 S * 12/2017 Nam D3/282
D812,927 S * 3/2018 Schwarz D6/534
D817,640 S * 5/2018 Dang D3/294
2009/0256033 A1* 10/2009 Marino A46B 17/02
248/113
2013/0056377 A1* 3/2013 Shaughness A46B 17/04
206/361

* cited by examiner

Primary Examiner — Anhdao Doan

Assistant Examiner — Mary Shannon Malley

(74) *Attorney, Agent, or Firm* — Mark Malek; Widerman Malek, PL

(57) **CLAIM**

The ornamental design for a golf club cleaning brush cover, as shown and described.

DESCRIPTION

FIG. 1 is a front perspective view of a golf club cleaning brush cover according to the present invention.

FIG. 2 is a front elevation view of the golf club cleaning brush cover illustrated in FIG. 1.

FIG. 3 is a rear elevation view of the golf club cleaning brush cover illustrated in FIG. 1.

FIG. 4 is a side elevation view of the golf club cleaning brush cover illustrated in FIG. 1.

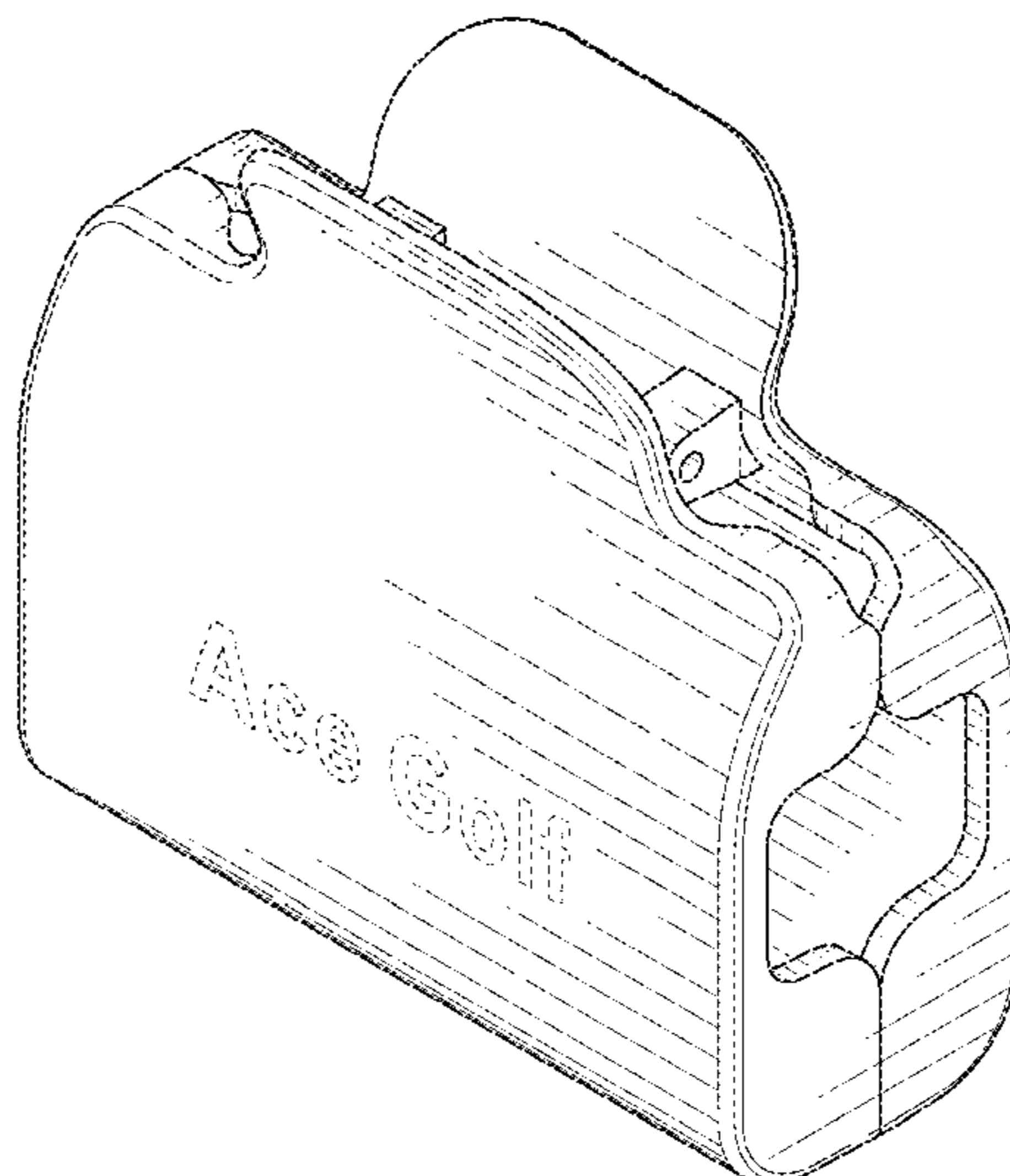
FIG. 5 is another side elevation view of the golf club cleaning brush cover illustrated in FIG. 1.

FIG. 6 is a top plan view of the golf club cleaning brush cover illustrated in FIG. 1; and,

FIG. 7 is a bottom plan view of the golf club cleaning brush cover illustrated in FIG. 1.

The broken lines show portions of the golf club cleaning brush cover that form no part of the claimed design.

1 Claim, 4 Drawing Sheets



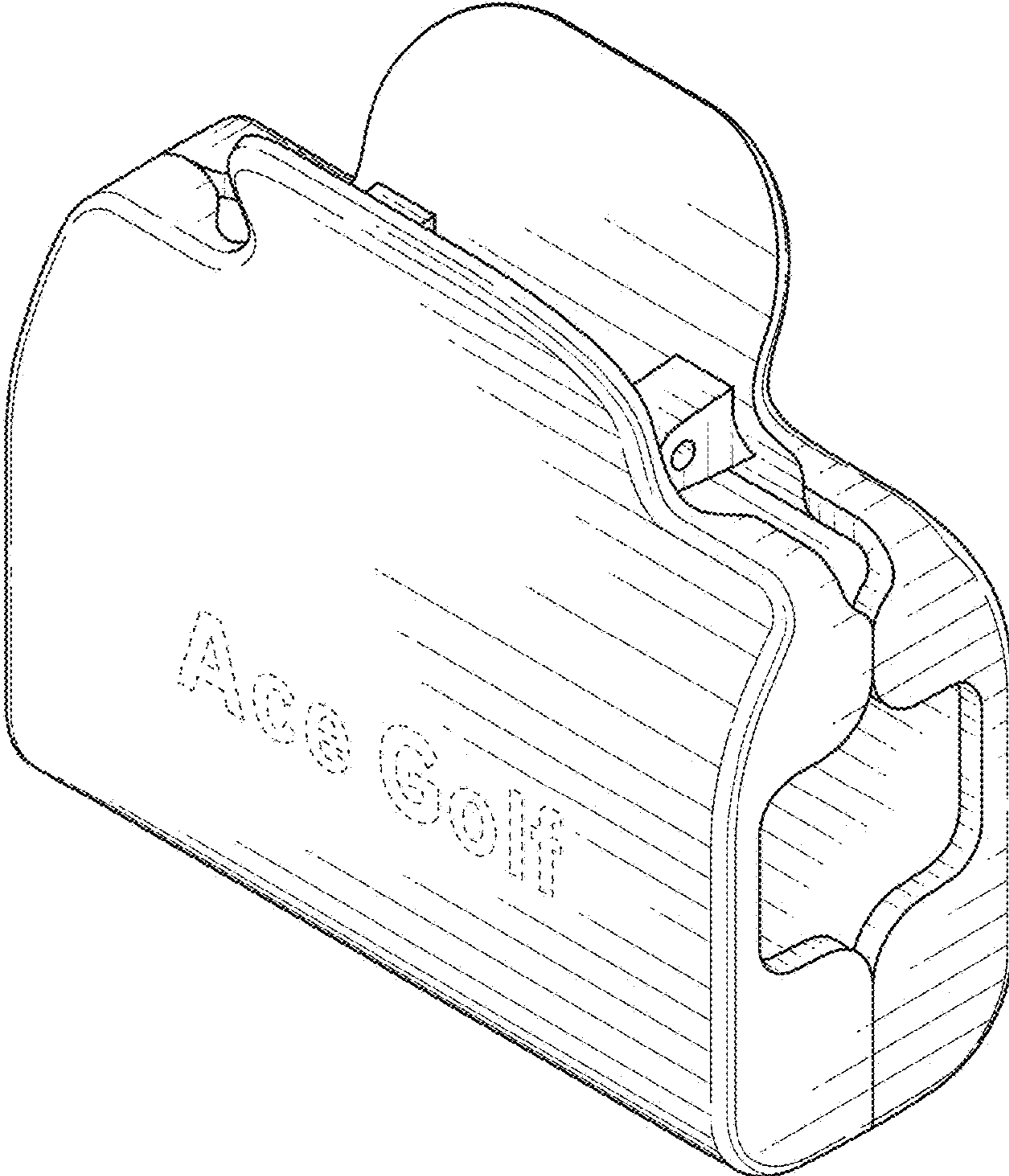


FIG. 1



FIG. 2



FIG. 3

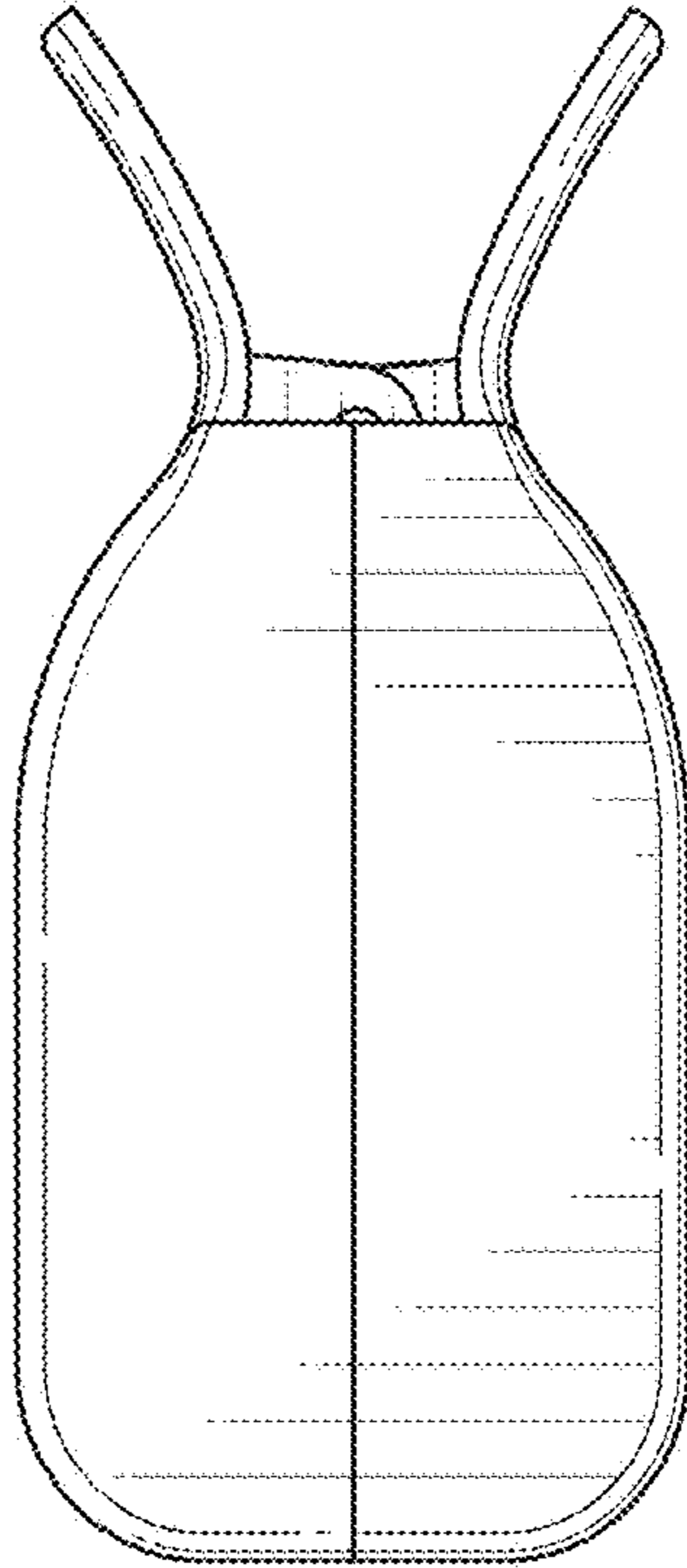


FIG. 4

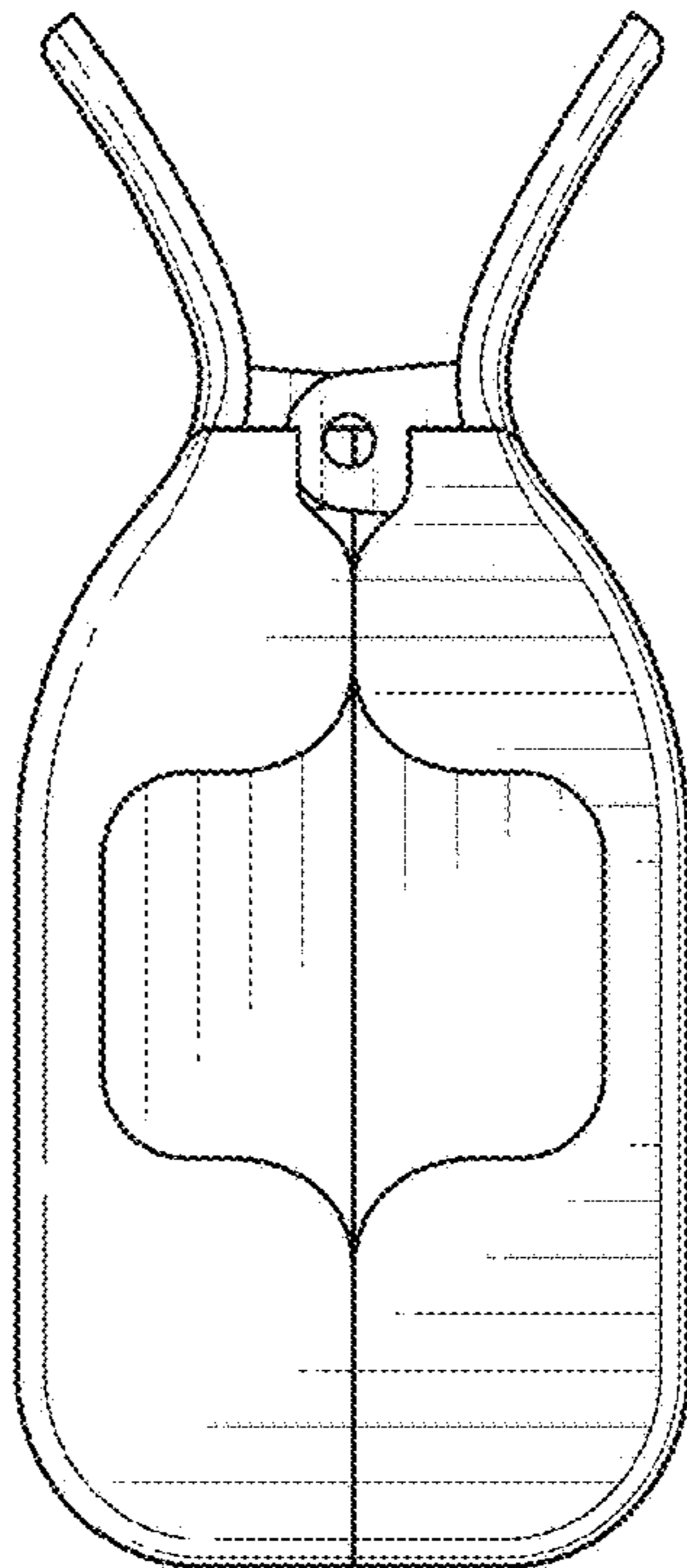


FIG. 5

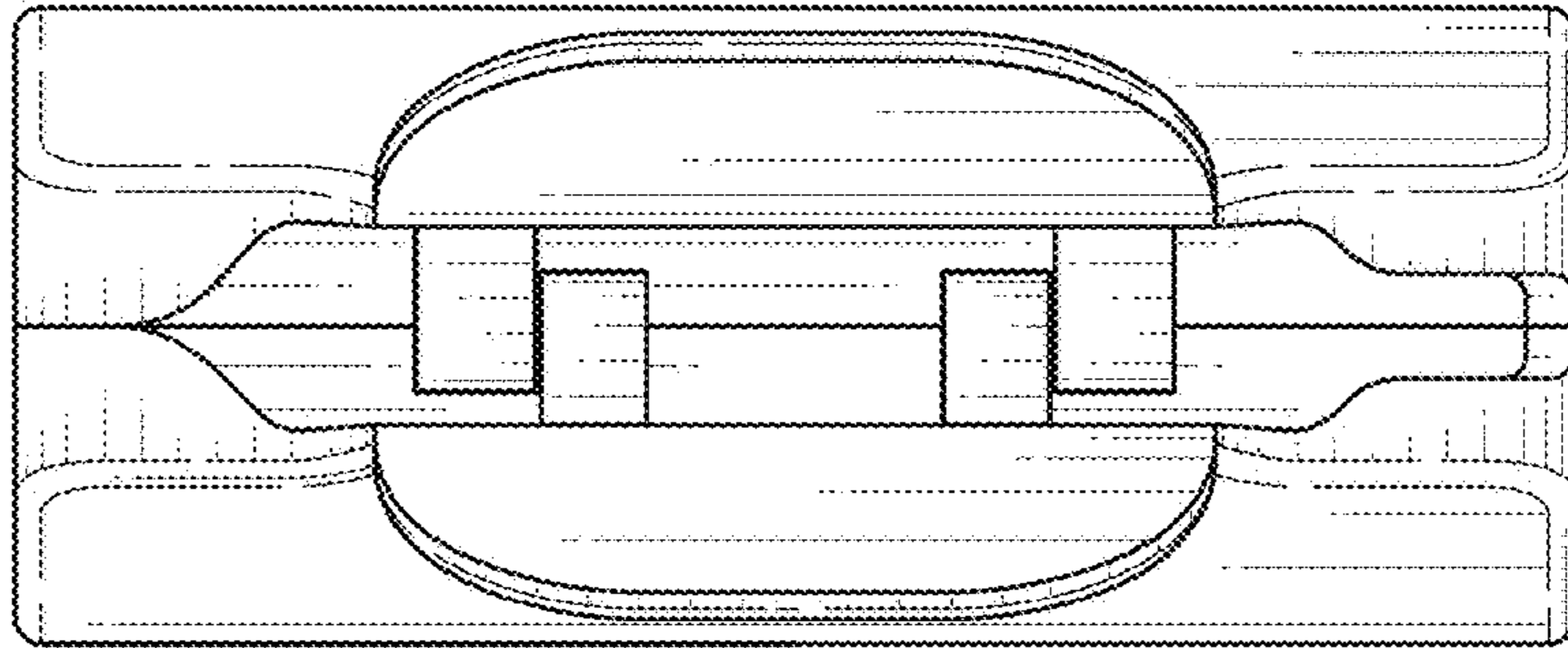


FIG. 6

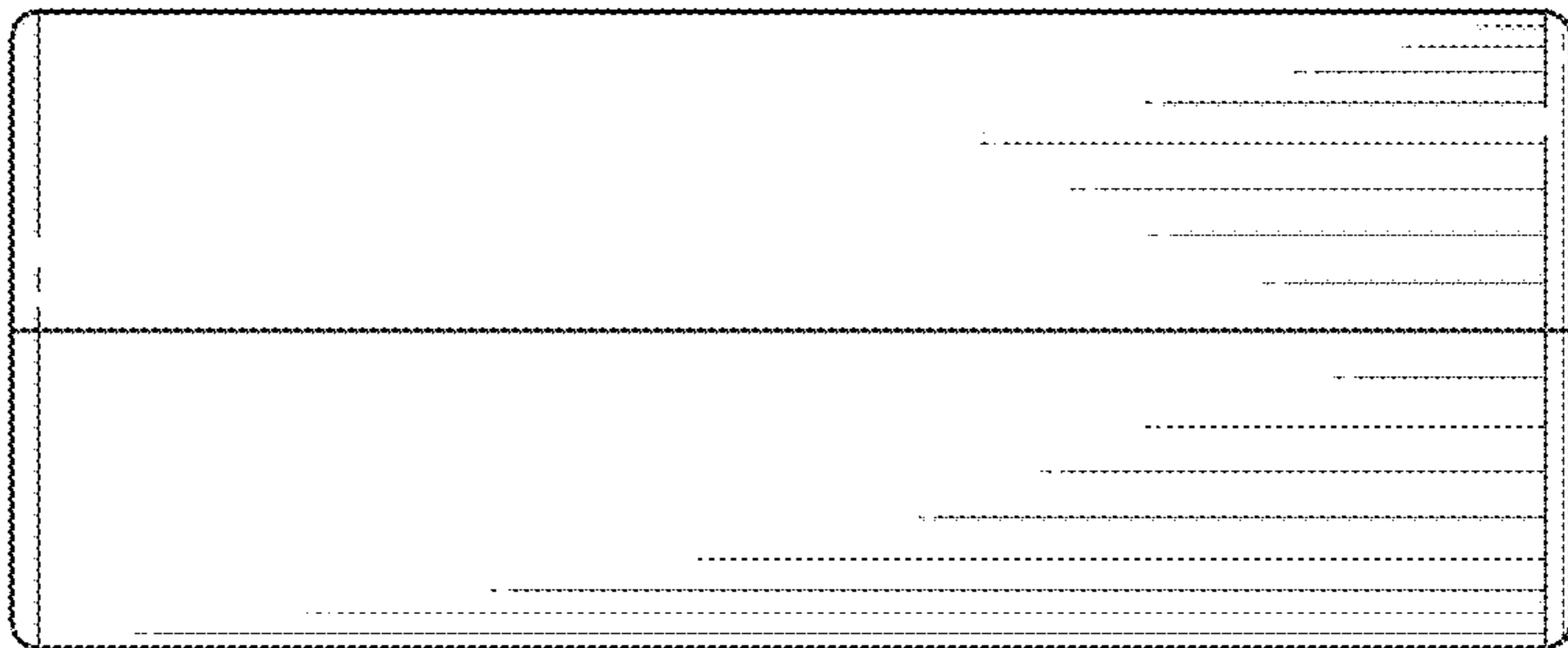


FIG. 7