



US00D838475S

(12) **United States Design Patent**
Tang

(10) **Patent No.:** **US D838,475 S**

(45) **Date of Patent:** **** Jan. 22, 2019**

(54) **QUICK LOCKING AND PULLING GUN
HOLSTER**

D507,104 S * 7/2005 Gregory D3/222
D508,318 S * 8/2005 Gregory D3/222
7,258,259 B1 * 8/2007 Owens A45F 5/02

(71) Applicant: **Feng Tang**, Guangdong (CN)

224/192

(72) Inventor: **Feng Tang**, Guangdong (CN)

D574,147 S * 8/2008 Zusman D3/222
2006/0236583 A1 * 10/2006 Pikielny F41C 33/0209
42/85

(73) Assignee: **Shenzhen Tactop Industrial Co., Ltd.**,
Guangdong (CN)

* cited by examiner

(**) Term: **15 Years**

Primary Examiner — Catherine R Oliver-Garcia

(21) Appl. No.: **29/631,344**

(22) Filed: **Dec. 29, 2017**

(51) **LOC (11) Cl.** **03-01**

(52) **U.S. Cl.**
USPC **D3/222**

(58) **Field of Classification Search**

USPC D3/222-223, 215, 221, 224, 230;
224/911, 914, 672, 931, 674-675, 239,
224/236, 245, 240-242, 191-193, 198,
224/238, 222-223, 607, 587, 677; 42/85
CPC A45F 5/02; A45F 5/021; A45F 2200/0591;
F41C 33/0236; F41C 33/041; F41C
33/0209; Y10S 224/912

See application file for complete search history.

(56) **References Cited**

U.S. PATENT DOCUMENTS

5,419,472 A * 5/1995 Hellweg A45F 5/02
224/193
5,484,093 A * 1/1996 Hellweg A45F 5/02
224/672

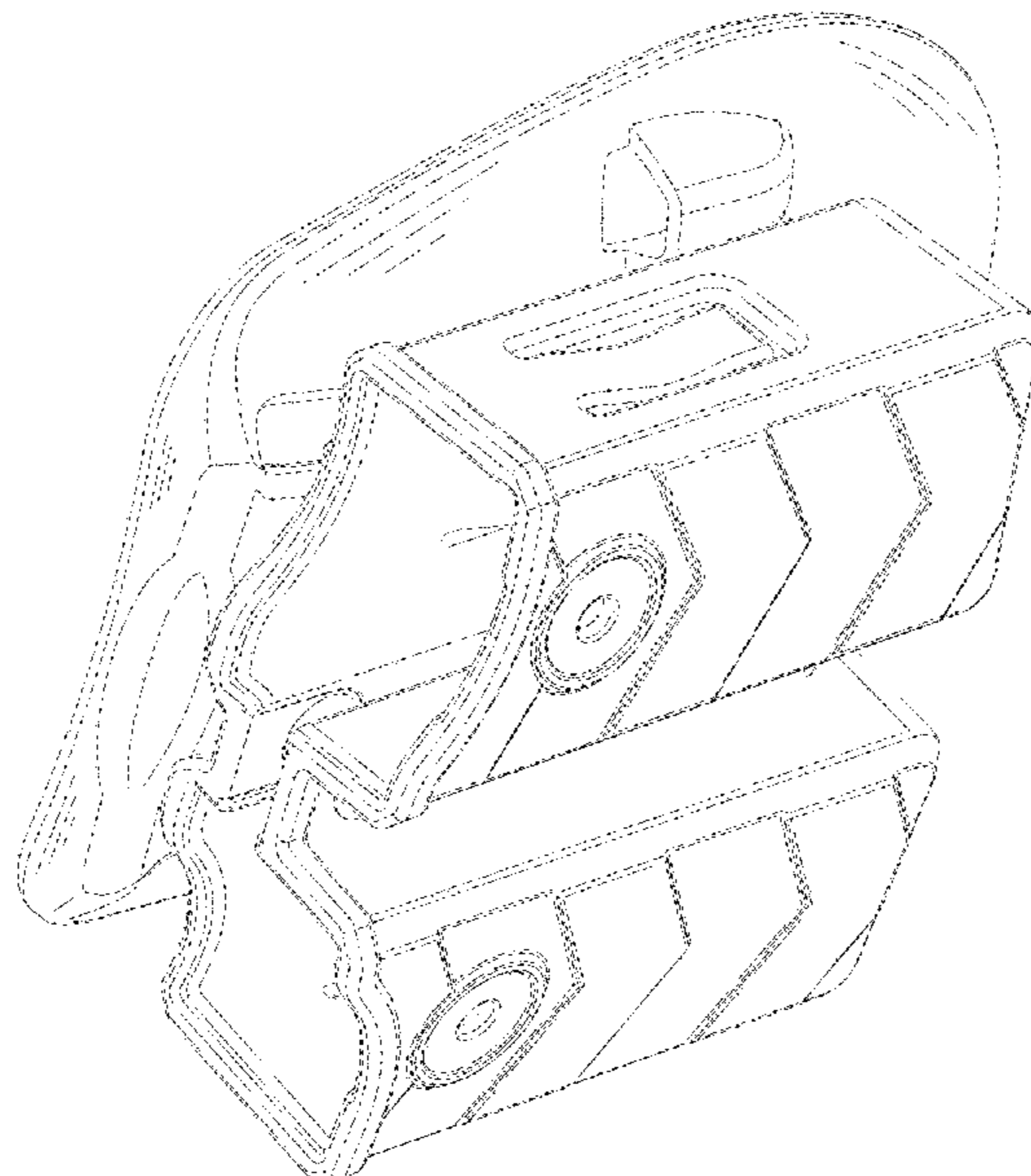
(57) **CLAIM**

I claim the ornamental design for a quick locking and pulling gun holster, as shown and described.

DESCRIPTION

FIG. 1 is a perspective view of a quick locking and pulling gun holster showing my new design;
FIG. 2 is a front elevational view thereof;
FIG. 3 is a top plan view thereof;
FIG. 4 is a left side elevational view thereof;
FIG. 5 is a rear elevational view thereof;
FIG. 6 is a right side elevational view thereof; and,
FIG. 7 is a bottom plan view thereof.

1 Claim, 7 Drawing Sheets



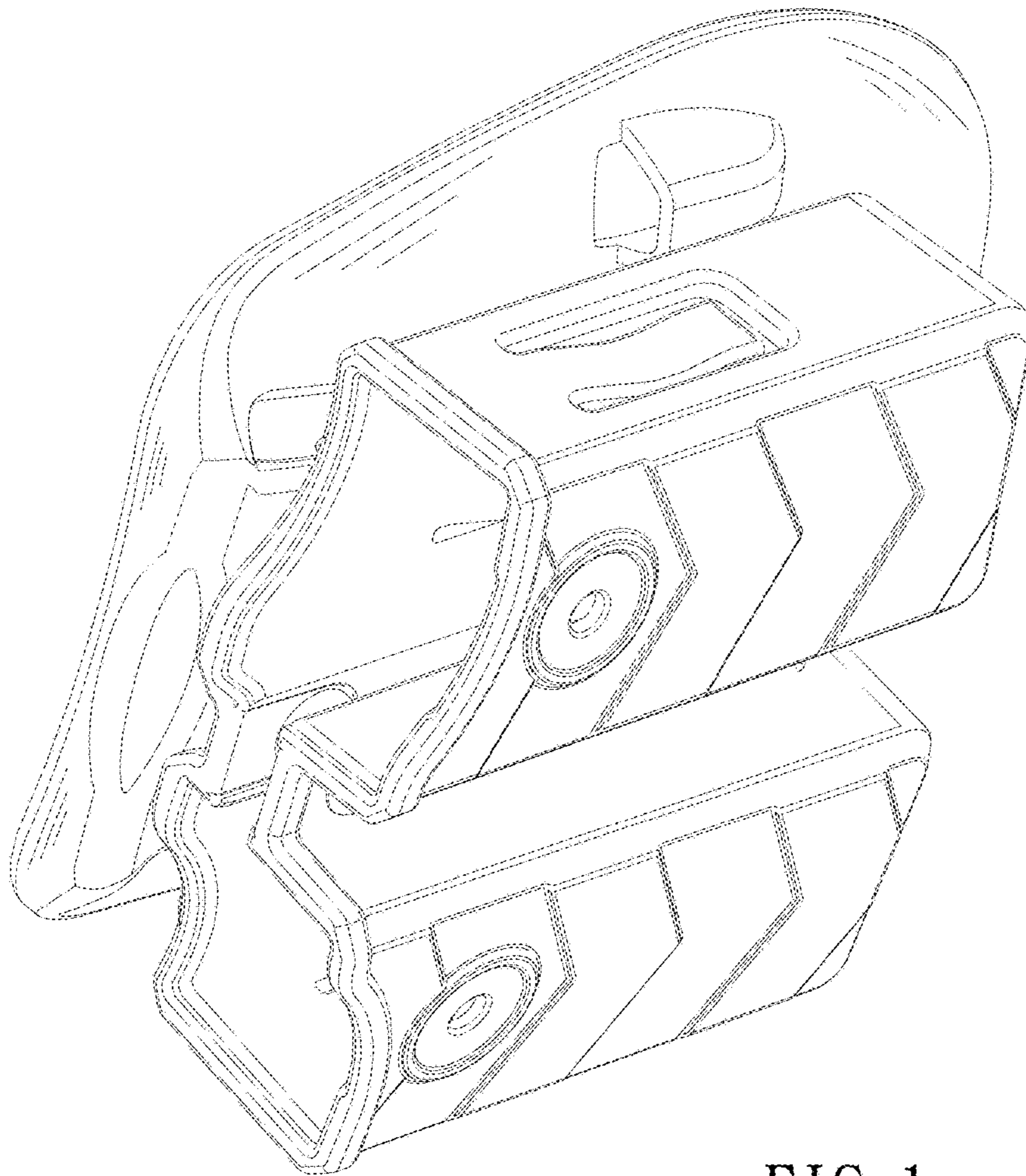


FIG. 1

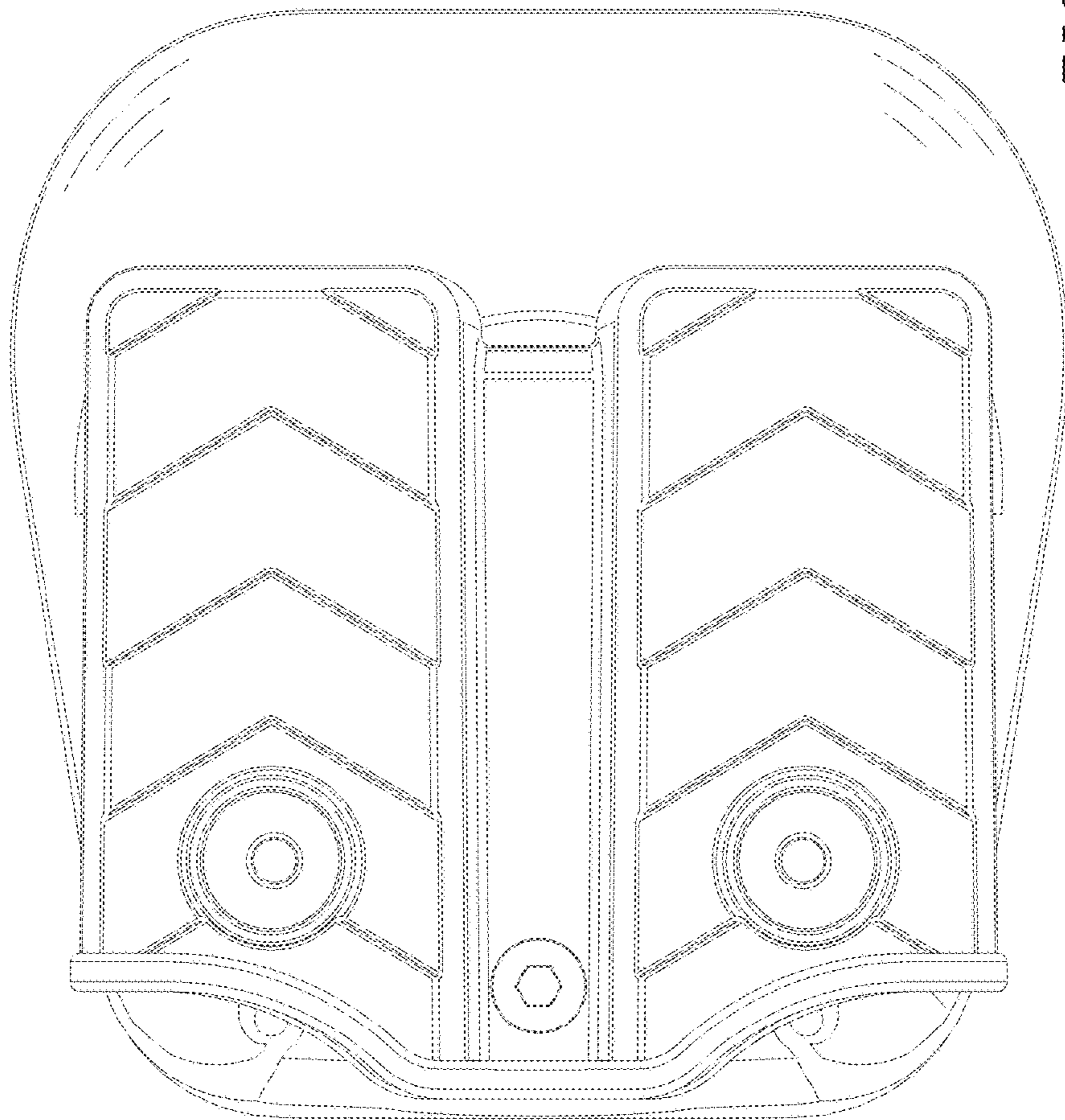


FIG. 2

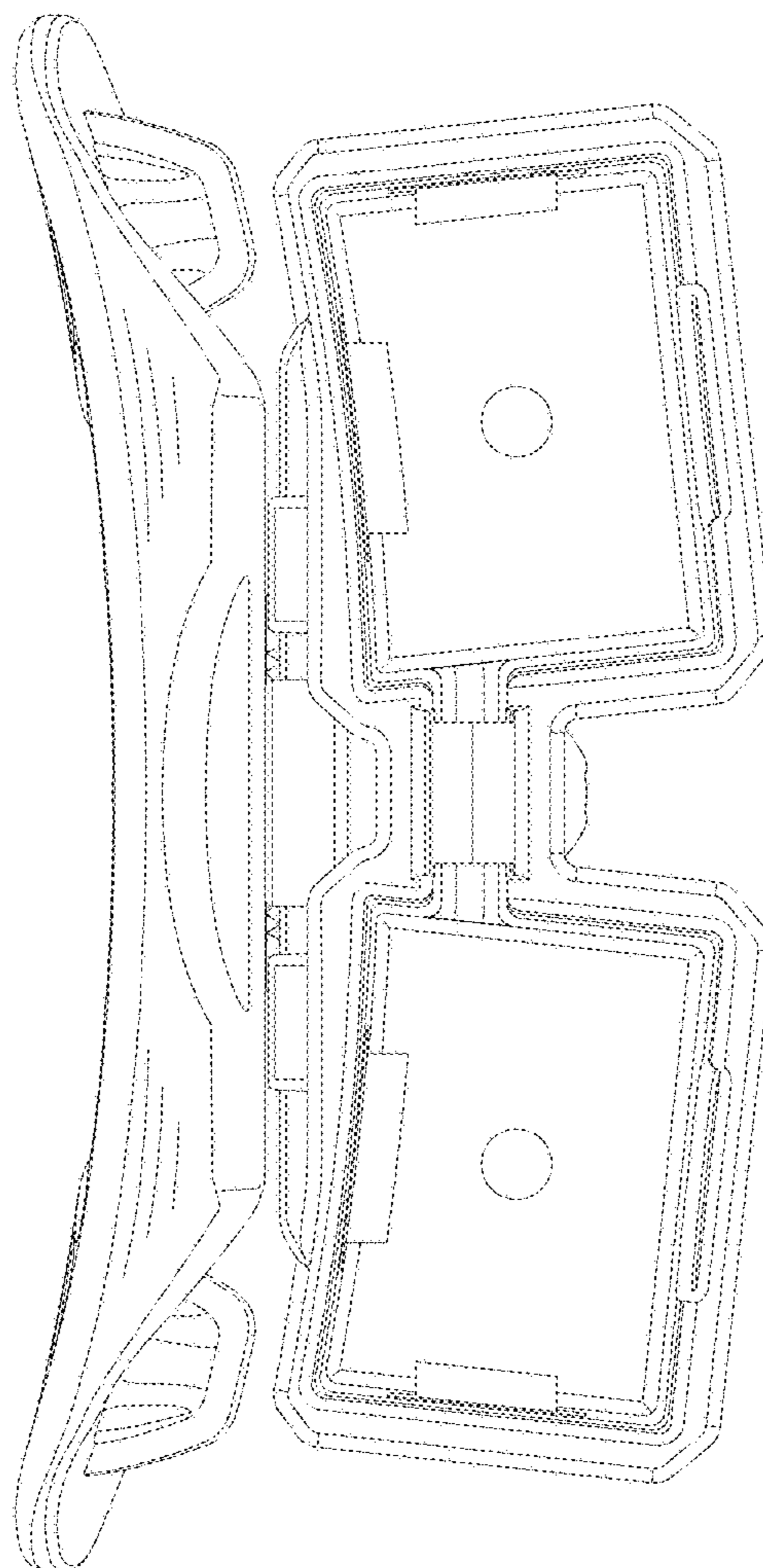


FIG. 3

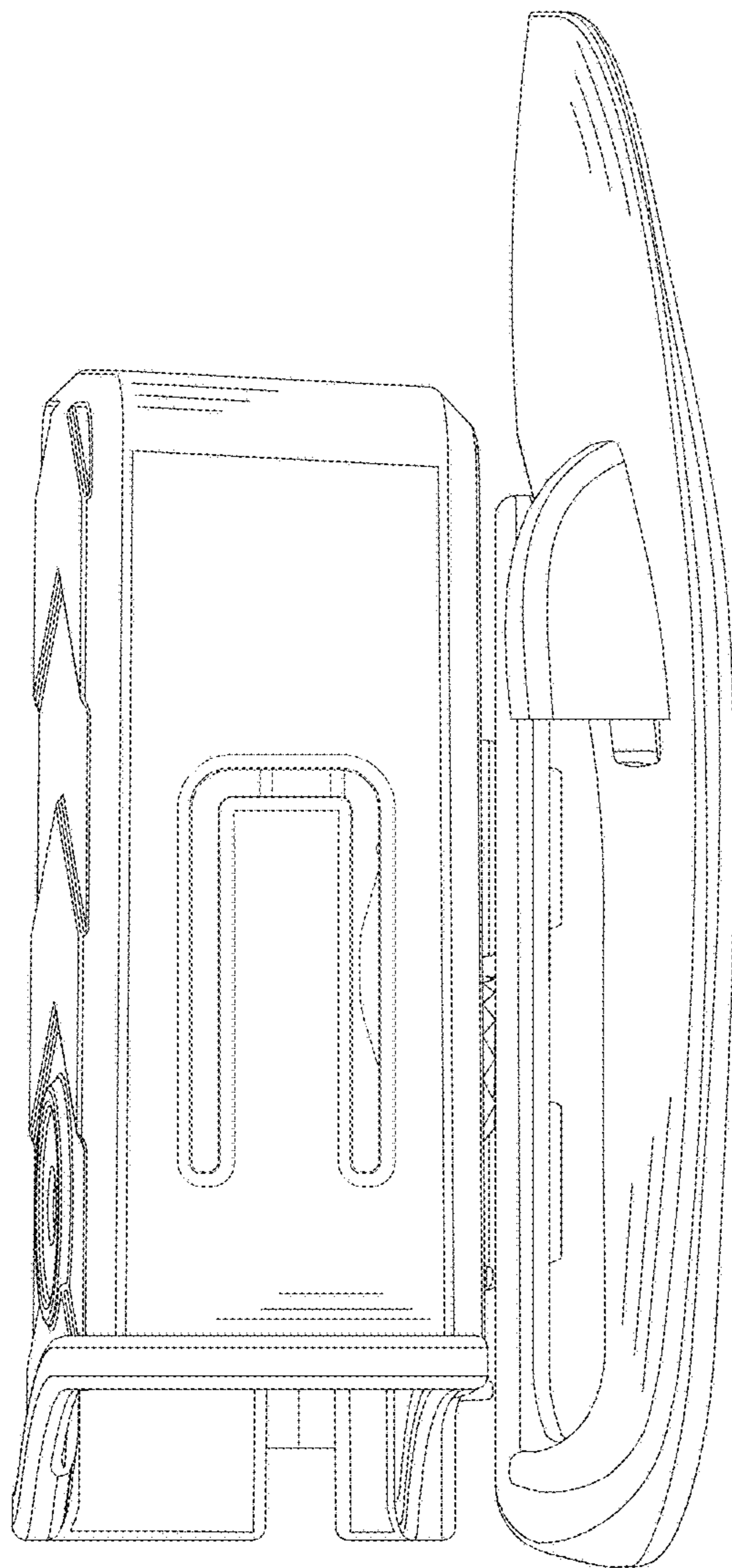


FIG. 4

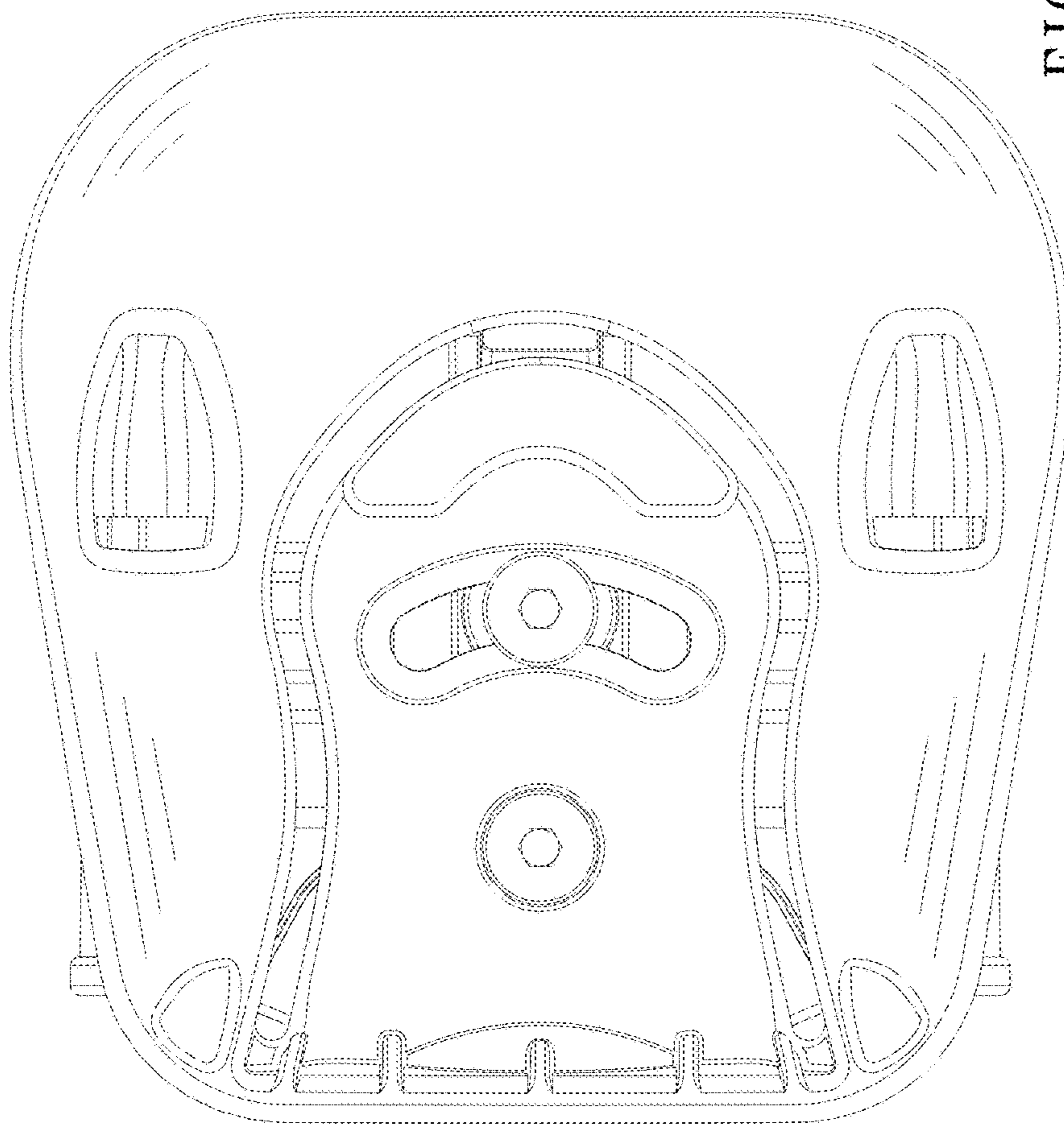


FIG. 5

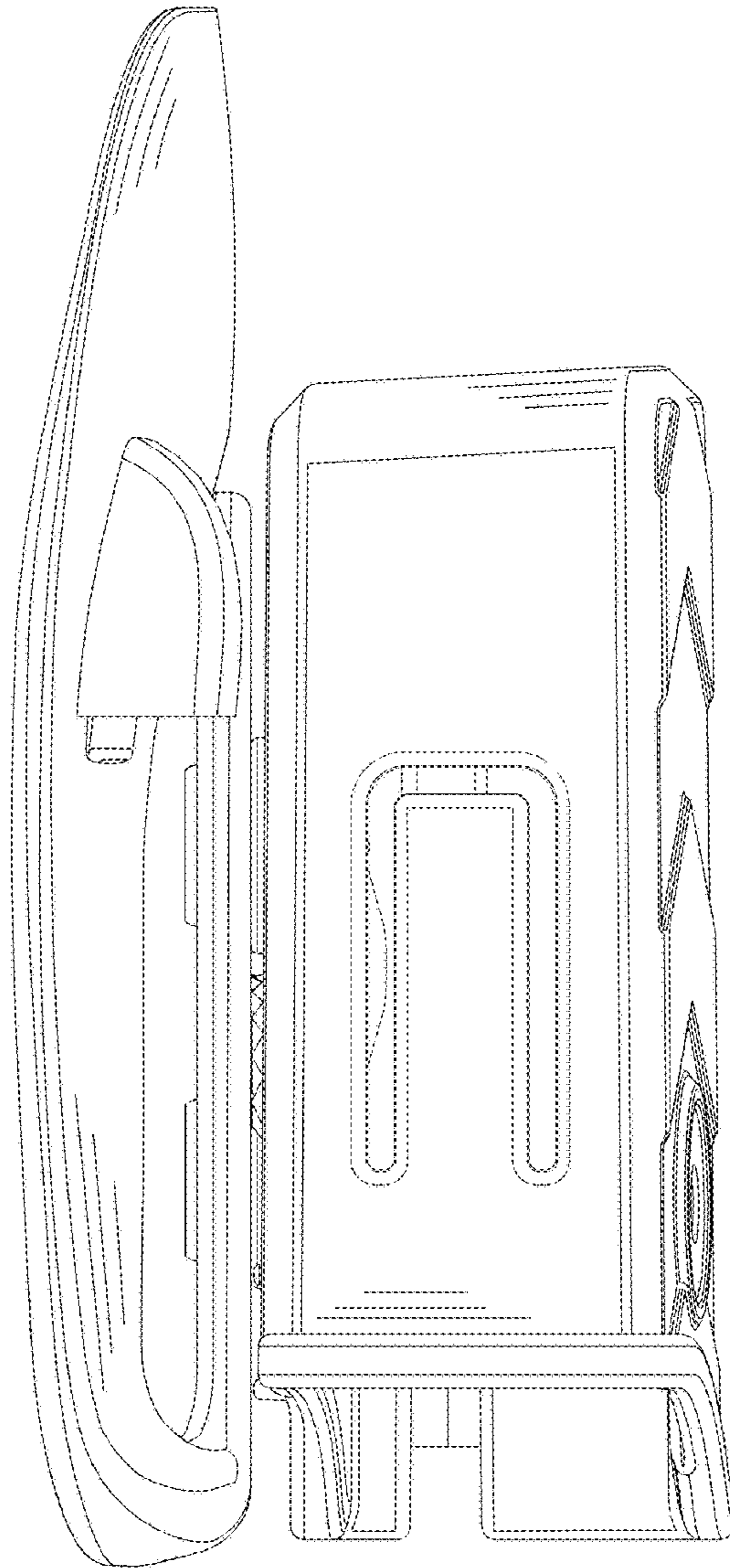


FIG. 6

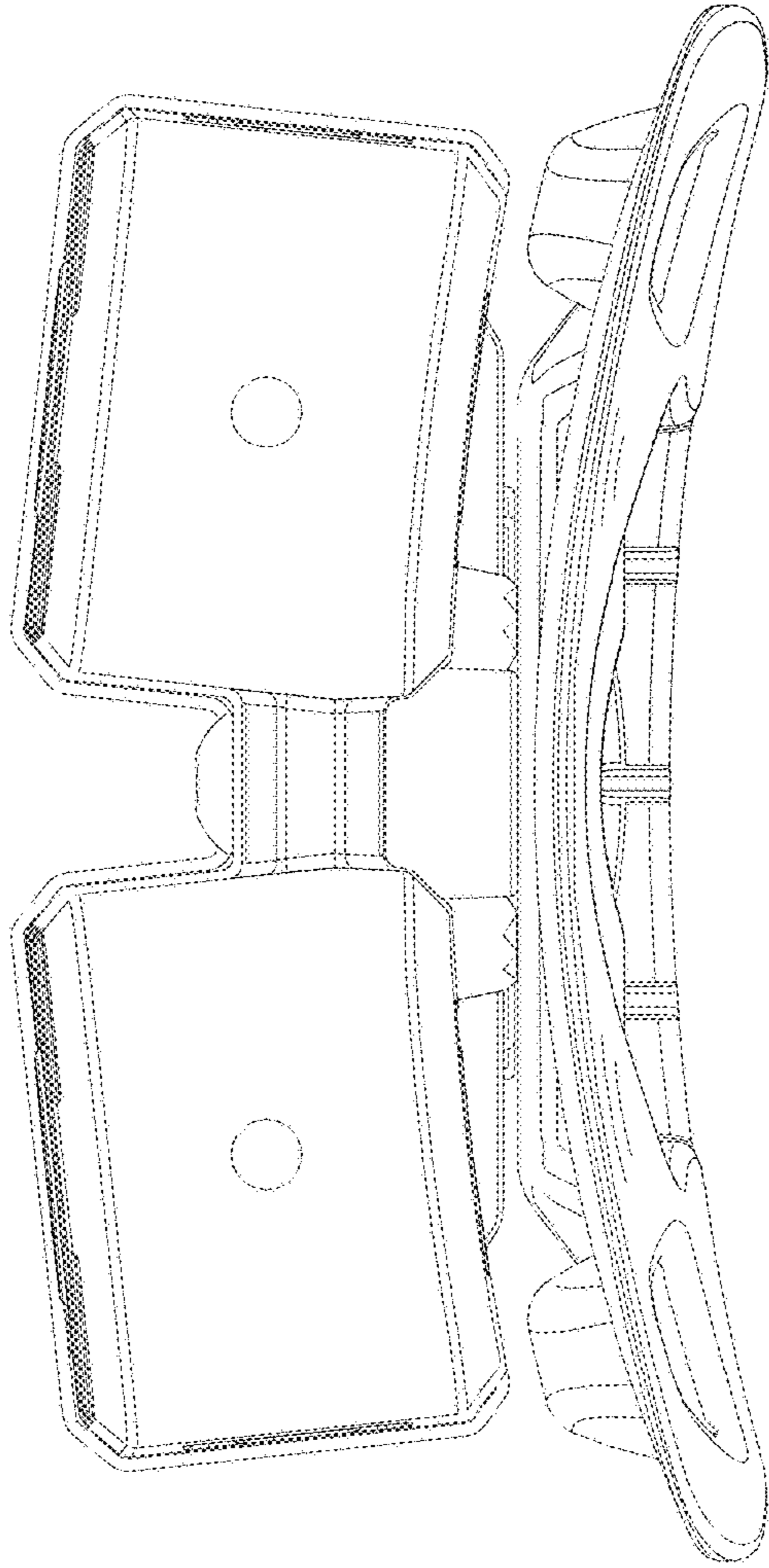


FIG. 7